



US00D797073S

(12) **United States Design Patent** (10) **Patent No.:** **US D797,073 S**  
**Yoon et al.** (45) **Date of Patent:** **\*\* Sep. 12, 2017**

(54) **VOICE RECOGNITION SPEAKER**  
(71) Applicant: **SK Telecom Co., Ltd.**, Seoul (KR)  
(72) Inventors: **Gi Bum Yoon**, Seoul (KR); **Yoon Hui Lee**, Seoul (KR); **Jung Hyuk Oh**, Seoul (KR); **Gyoung Cheol Choi**, Kyunggi-do (KR); **Tae Hoon Lee**, Seoul (KR); **Min Yi Kim**, Gyeonggi-do (KR); **Yun Jin Park**, Seoul (KR)

D563,391 S \* 3/2008 Skurdal ..... D14/172  
8,175,304 B1 \* 5/2012 North ..... H04R 5/02  
381/17  
D697,496 S \* 1/2014 Ashcraft ..... D14/216  
D698,753 S \* 2/2014 Yiu ..... D14/216  
D725,624 S \* 3/2015 Carney ..... D14/140  
D758,347 S \* 6/2016 Hinokio ..... D14/215  
D770,416 S \* 11/2016 Tkachuk ..... D14/216  
D778,956 S \* 2/2017 Langhammer ..... D14/203.1

\* cited by examiner

(73) Assignee: **SK Telecom Co., Ltd.**, Seoul (KR)  
(\*\*) Term: **15 Years**

*Primary Examiner* — Prabhakar Deshmukh

(21) Appl. No.: **29/574,913**

(74) *Attorney, Agent, or Firm* — Leanne Taveggia Farrell; David D. Brush; Westman, Champlin & Koehler, P.A.

(22) Filed: **Aug. 19, 2016**

(57) **CLAIM**

(30) **Foreign Application Priority Data**

The ornamental design for a voice recognition speaker, as shown and described.

Apr. 18, 2016 (KR) ..... 30-2016-0018289

(51) **LOC (10) Cl.** ..... **14-02**

(52) **U.S. Cl.**  
USPC ..... **D14/172; D14/216**

**DESCRIPTION**

(58) **Field of Classification Search**  
USPC .... D14/204, 218, 172, 219–216, 209.1, 496, D14/137, 168, 181, 185, 188, 299.221; 181/143, 147, 148, 150, 157, 198, 199, 181/166, 144; 381/300–303, 306, 332, 381/333, 336, 345, 361–364, 370, 381/386–388; 455/344–351; 84/609–614, 634–638; 434/307 A, 307 R, 434/308, 318; 352/1, 6–10; 369/1, 2, 369/6–12

CPC . H04R 1/02; H04R 1/026; H04R 3/00; H04R 11/02; H04R 19/02

See application file for complete search history.

FIG. 1 is a perspective view of a voice recognition speaker showing our new design;  
FIG. 2 is a front view thereof;  
FIG. 3 is a rear view thereof;  
FIG. 4 is a top view thereof;  
FIG. 5 is a bottom view thereof;  
FIG. 6 is a left side view thereof;  
FIG. 7 is a right side view thereof; and,  
FIG. 8 is an enlarged view of a representative portion of FIG. 4.

4.

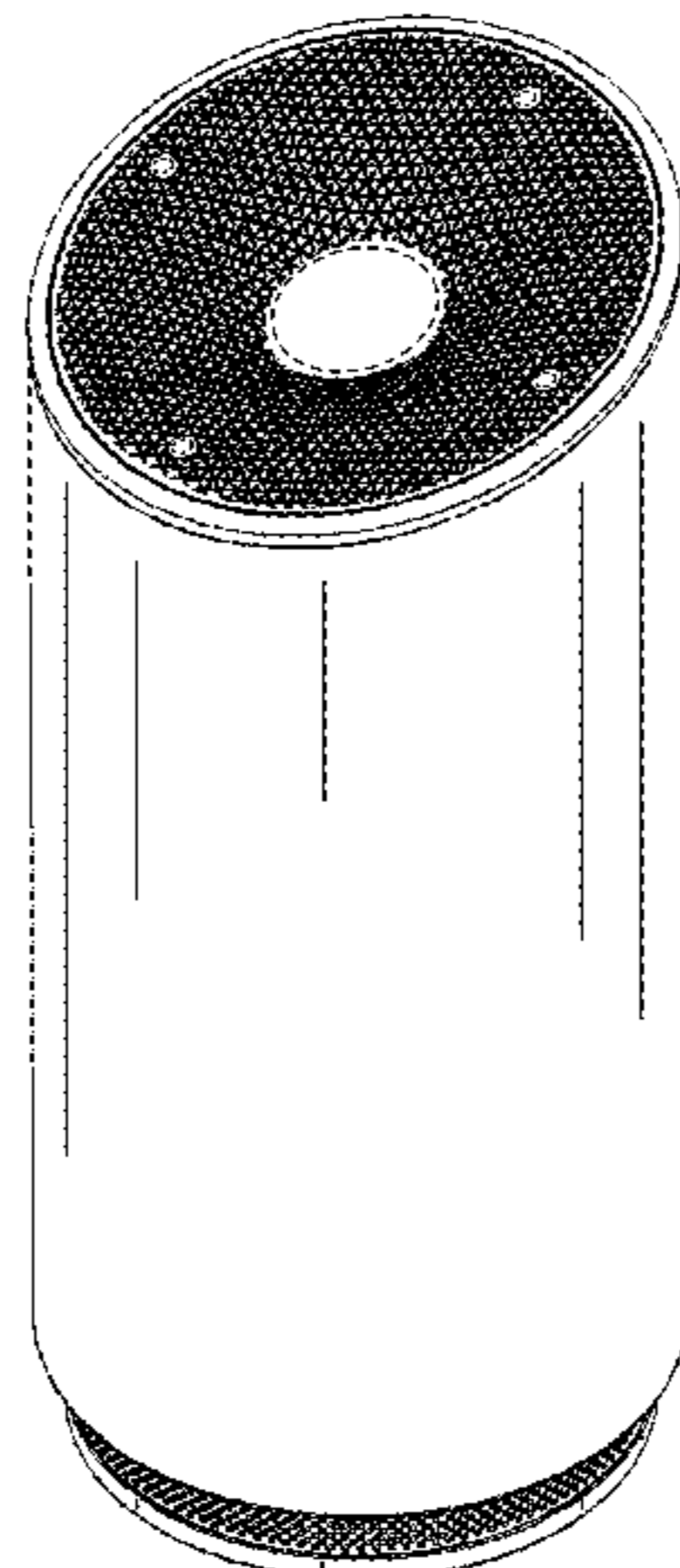
The broken lines shown in the drawings are included for purposes of illustrating portions of the voice recognition speaker and form no part of the claimed design. In FIGS. 1-2 and 4, the upper surface of the top of the voice recognition speaker has a surface with the pattern depicted in FIG. 8.

(56) **References Cited**

**U.S. PATENT DOCUMENTS**

3,931,867 A \* 1/1976 Janszen ..... H04R 1/24  
181/144  
5,319,164 A \* 6/1994 Shen ..... H04R 1/025  
181/150

**1 Claim, 7 Drawing Sheets**



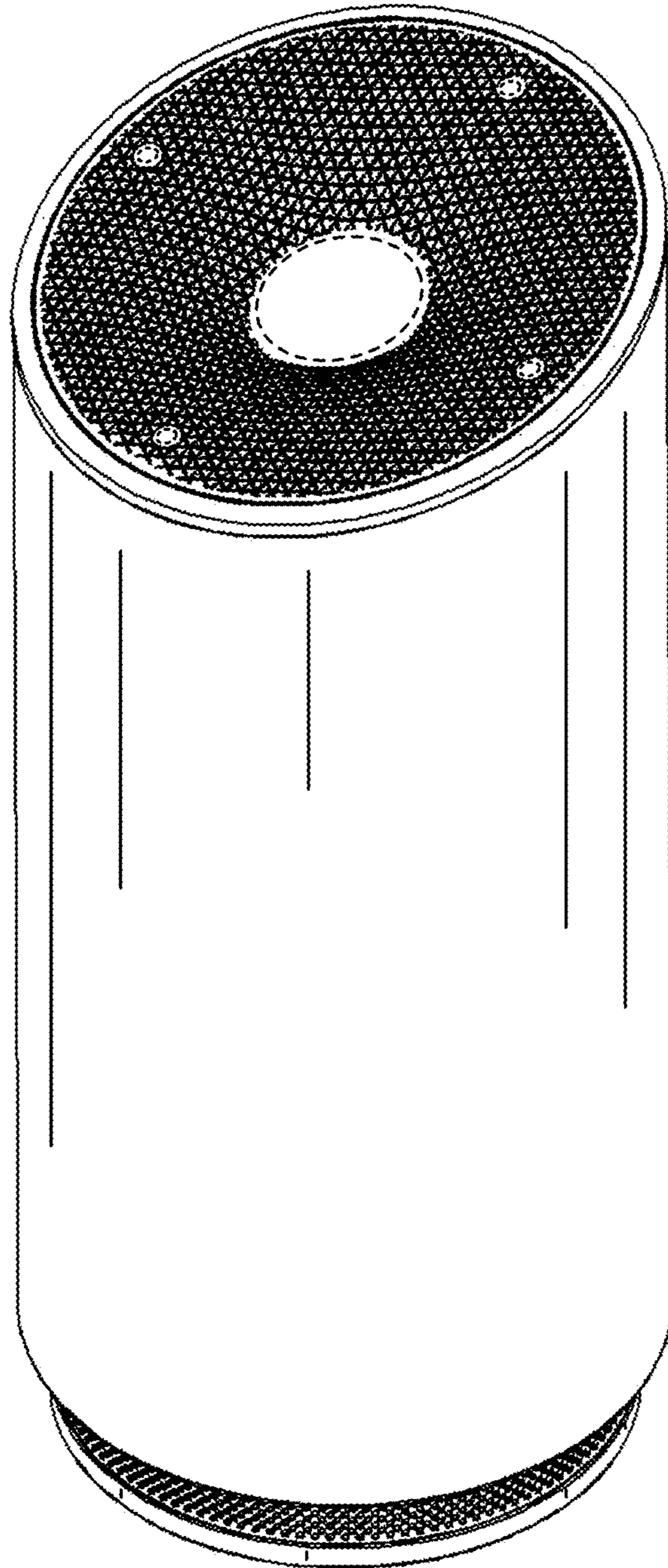


Fig. 1

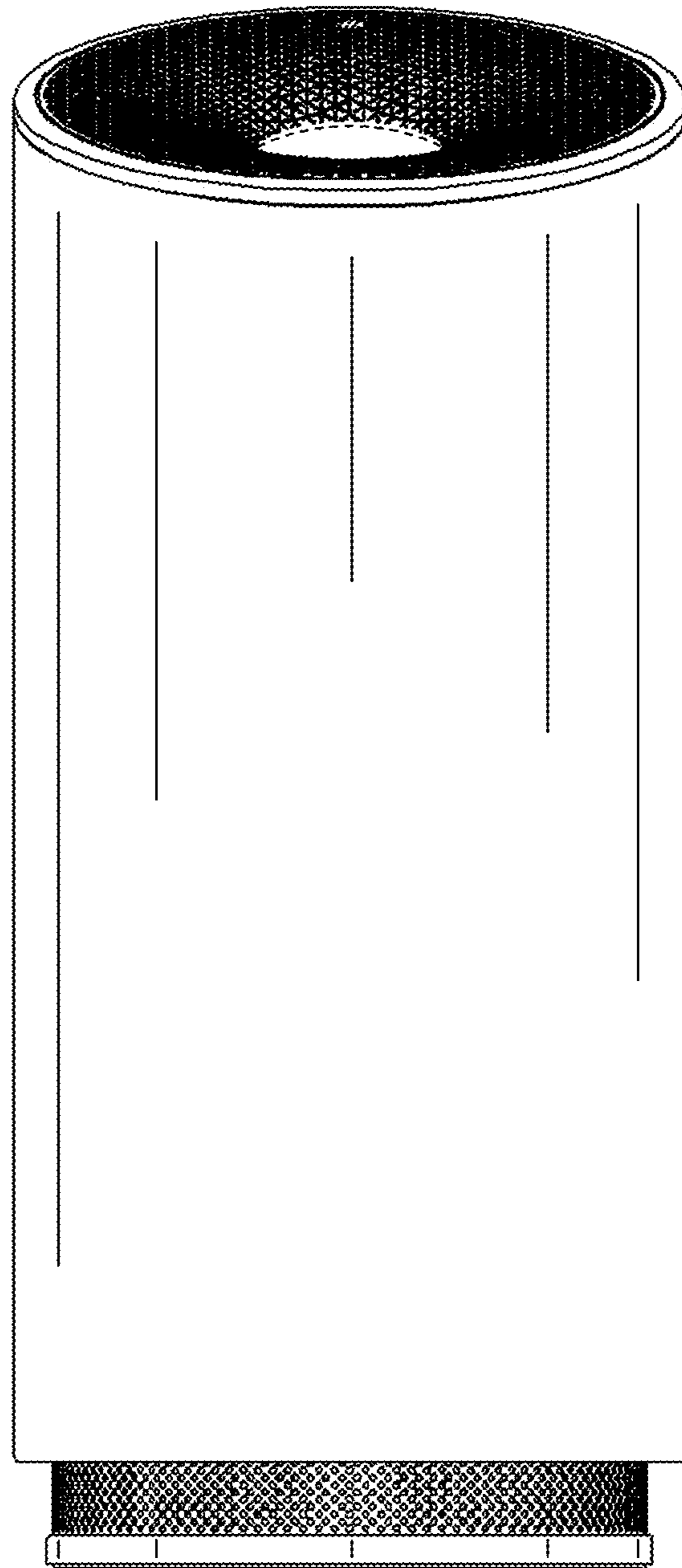


Fig. 2

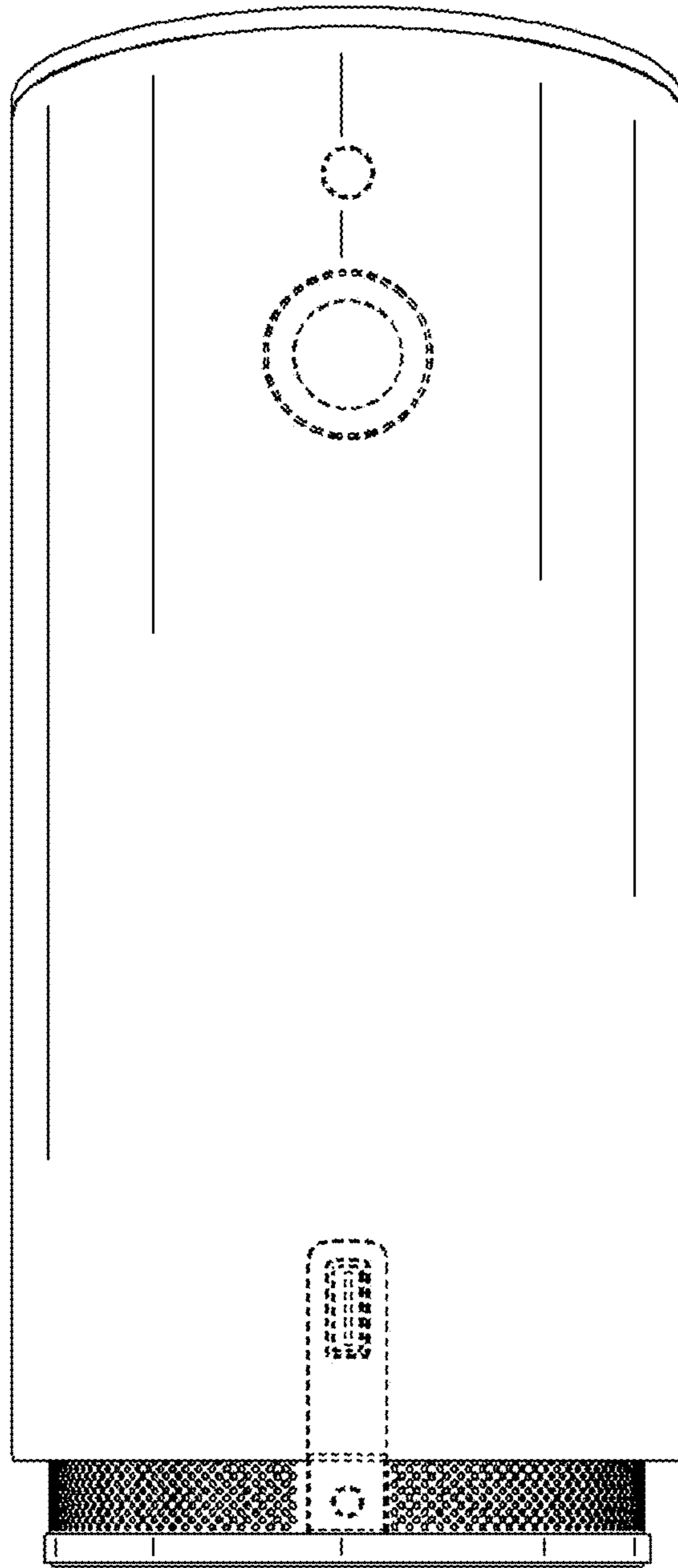


Fig. 3

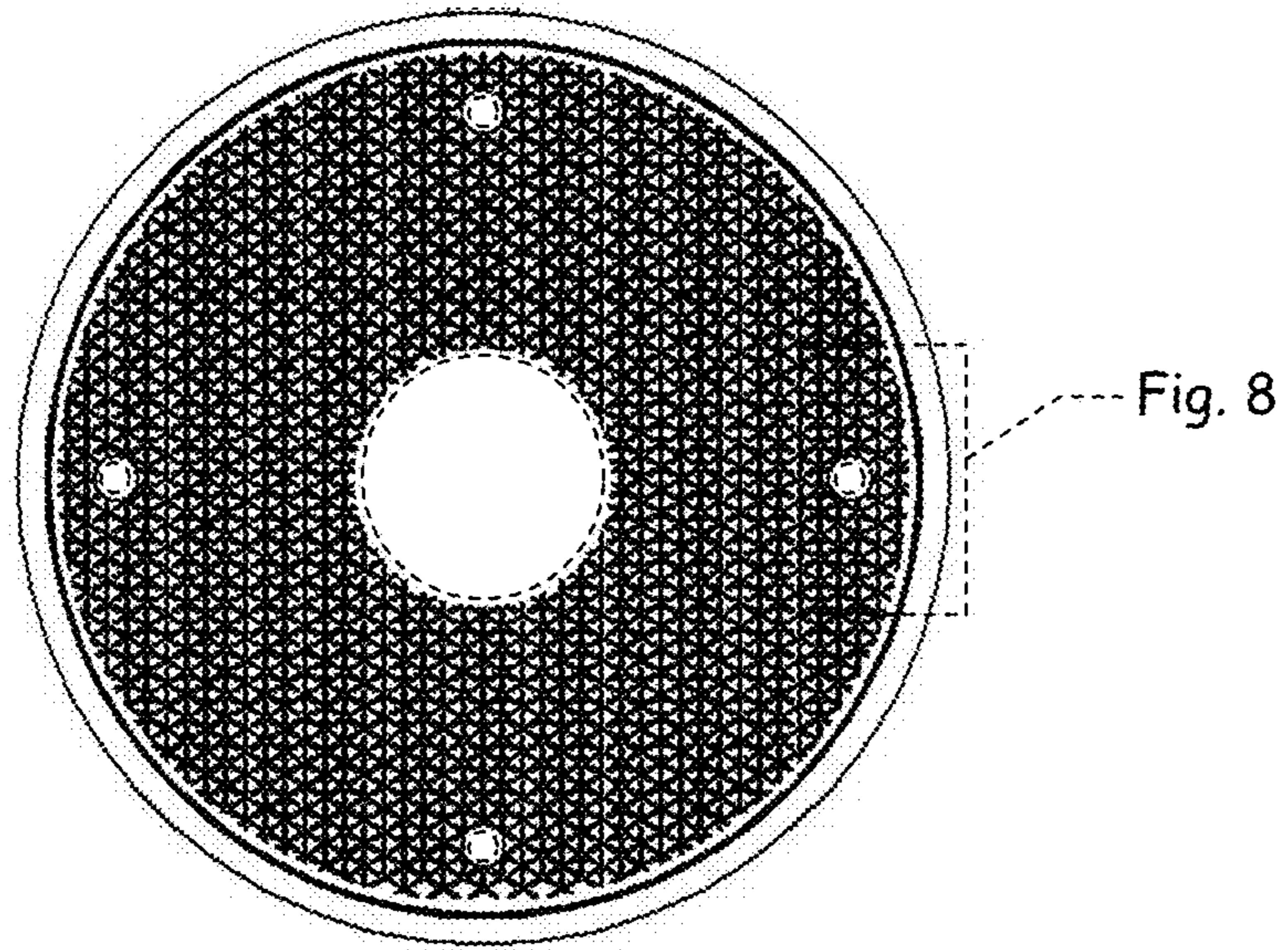


Fig. 4

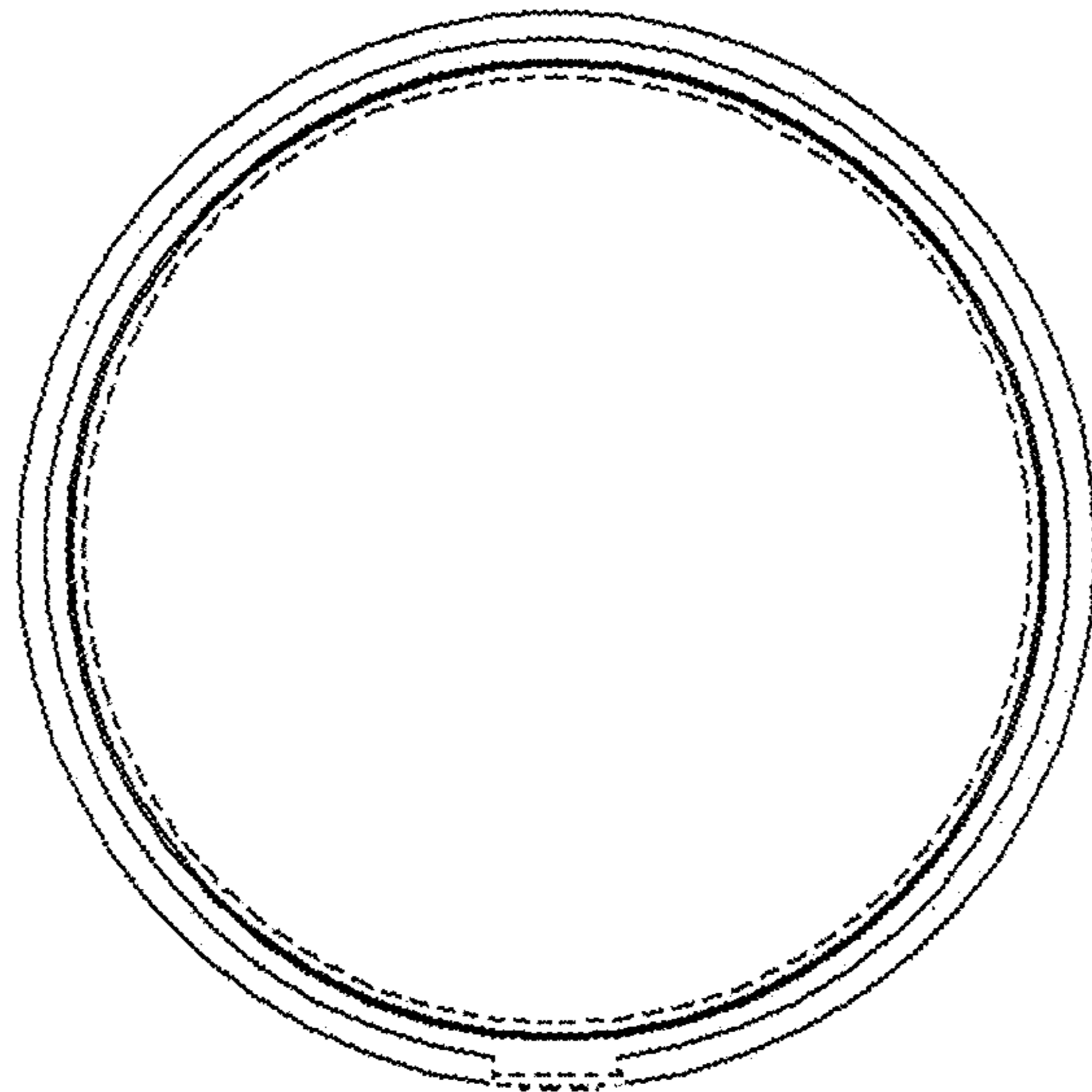


Fig. 5

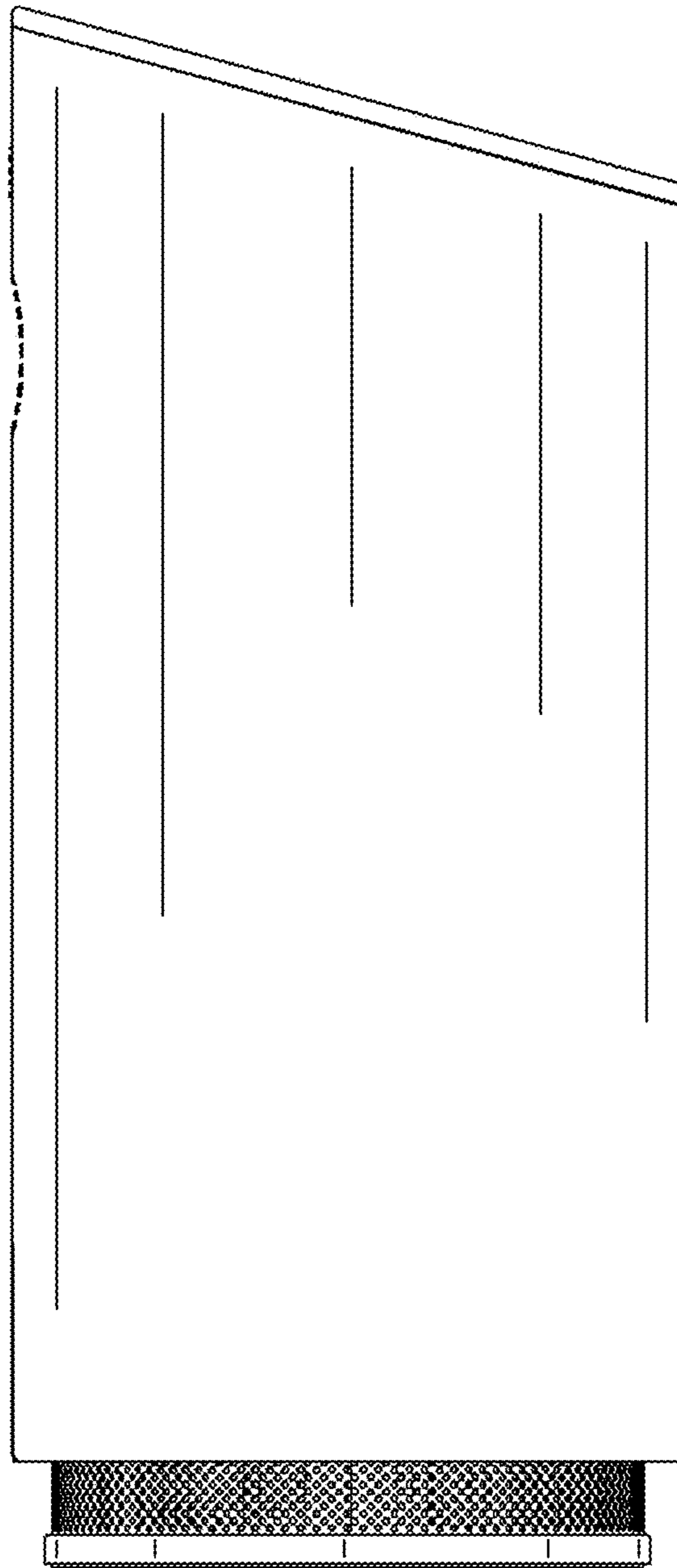


Fig. 6

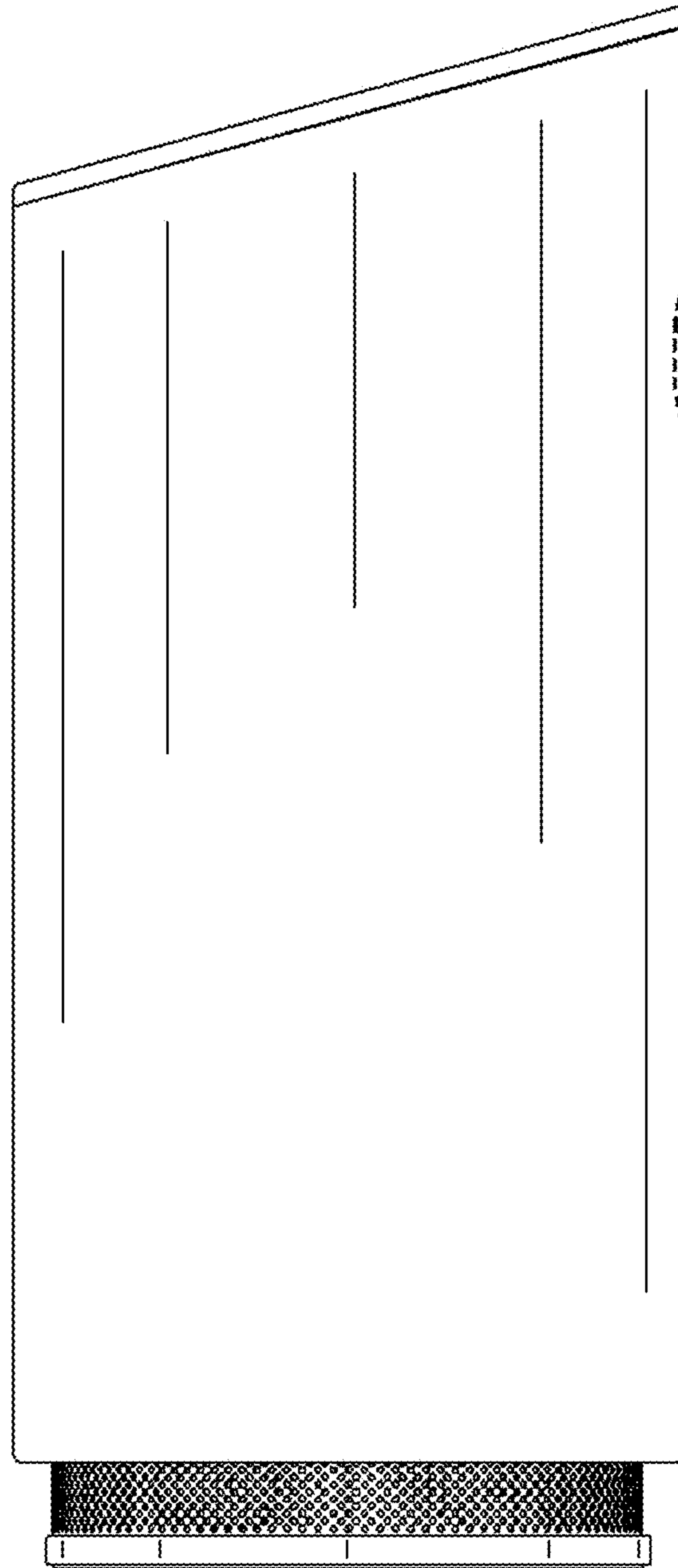


Fig. 7

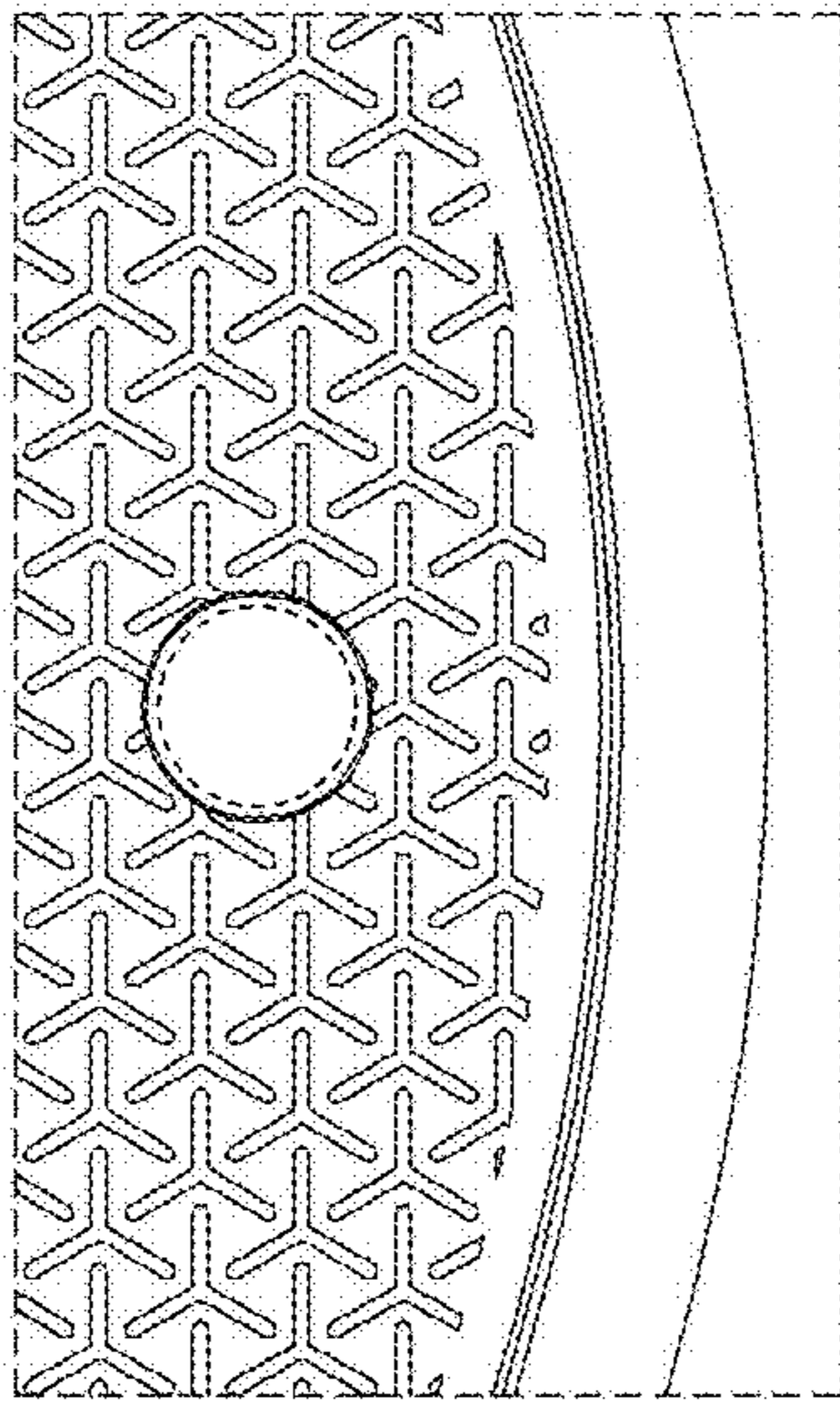


Fig. 8