



US00D797069S

(12) **United States Design Patent** (10) **Patent No.:** **US D797,069 S**
Nishizawa (45) **Date of Patent:** **** Sep. 12, 2017**

(54) **PORTABLE COMMUNICATION DEVICE**

D486,808 S * 2/2004 Aihara D14/138 AA
D515,540 S * 2/2006 Geng D14/138 AA
D576,126 S * 9/2008 Nishida D14/137

(71) Applicant: **ICOM INCORPORATED**, Osaka-shi,
Osaka (JP)

(Continued)

(72) Inventor: **Haruki Nishizawa**, Osaka (JP)

FOREIGN PATENT DOCUMENTS

(73) Assignee: **ICOM INCORPORATED**, Osaka-Shi
(JP)

JP D1445024 7/2012

(**) Term: **15 Years**

OTHER PUBLICATIONS

(21) Appl. No.: **29/567,926**

Introducing the IC-M93D VHF Handheld with DSC, Oct. 19, 2016,
[online], [site visited May 12, 2017]. Retrieved from <url:https://
www.youtube.com/watch?v=o0i5SNQHgJ0>.*

(22) Filed: **Jun. 14, 2016**

Primary Examiner — Jeffrey D Asch

(30) **Foreign Application Priority Data**

Assistant Examiner — Tracey J Bell

Dec. 15, 2015 (JP) D2015-027887

(74) *Attorney, Agent, or Firm* — Birch, Stewart, Kolasch
& Birch, LLP

(51) **LOC (10) Cl.** **14-03**

(52) **U.S. Cl.**
USPC **D14/137**

(57) **CLAIM**

(58) **Field of Classification Search**

The ornamental design for a portable communication
device, as shown and described.

USPC D14/137, 138 AA, 138 R, 172, 203.7,
D14/138 AB, 159, 191, 299, 496,
D14/138 AC, 138 AD, 138 G, 203.1,
D14/203.3, 203.4, 218, 248, 341, 342,
D14/343, 345, 346, 347, 426; D10/65,
D10/106.1, 70, 104.1; D13/107;
D24/186, 167; D21/324, 329, 133
CPC .. H04M 1/0214; H04M 11/022; H04M 1/026;
H04M 1/027; H04M 1/0202; H04M
1/0279; H04M 1/0235; H04M 1/0237;
H04M 1/0239; H04M 1/0266; H04M
1/0268; H04M 1/0295; G06F 1/1622;
G06F 1/1626; G06F 1/1652

DESCRIPTION

See application file for complete search history.

FIG. 1 is a perspective view of the portable communication
device;
FIG. 2 is a front view of the portable communication device;
FIG. 3 is a rear view of the portable communication device;
FIG. 4 is a left side view of the portable communication
device;
FIG. 5 is a right side view of the portable communication
device;
FIG. 6 is a top view of the portable communication device;
and,
FIG. 7 is a bottom view of the portable communication
device.

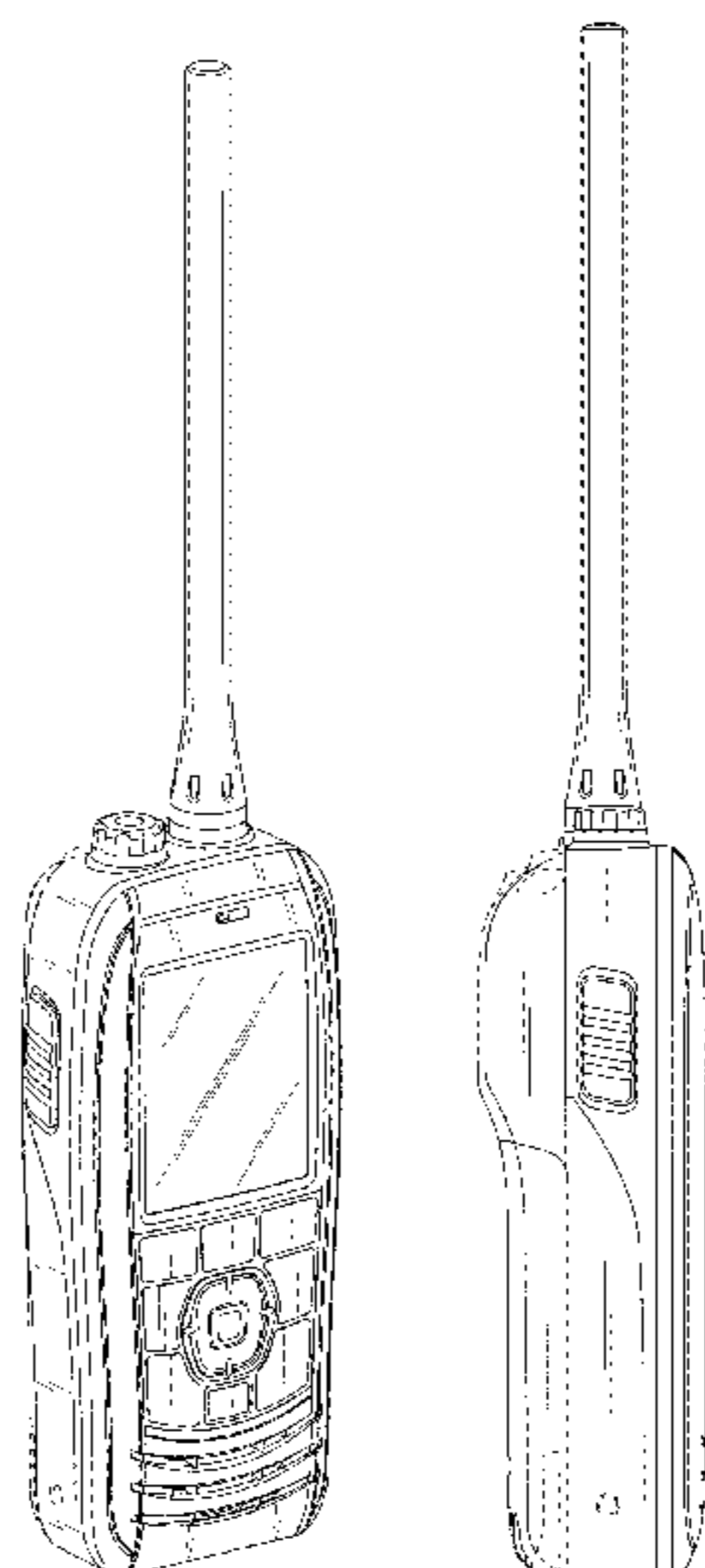
(56) **References Cited**

The broken lines depict portions of the portable communi-
cation device in which the design is embodied that are not
considered part of the claimed design.

U.S. PATENT DOCUMENTS

D407,722 S * 4/1999 Nagano D14/138 AA
D484,477 S * 12/2003 Salmi D14/138 AA

1 Claim, 4 Drawing Sheets



(56)

References Cited

U.S. PATENT DOCUMENTS

D607,855 S *	1/2010	Nakagawa	D14/137
D608,747 S *	1/2010	Nakagawa	D14/137
D616,844 S *	6/2010	Xia	D14/137
D662,483 S *	6/2012	Kaner	D14/137
D713,809 S *	9/2014	Sakata	D14/137
D761,223 S *	7/2016	Oikawa	D14/137
D778,251 S *	2/2017	Nishizawa	D14/137

* cited by examiner

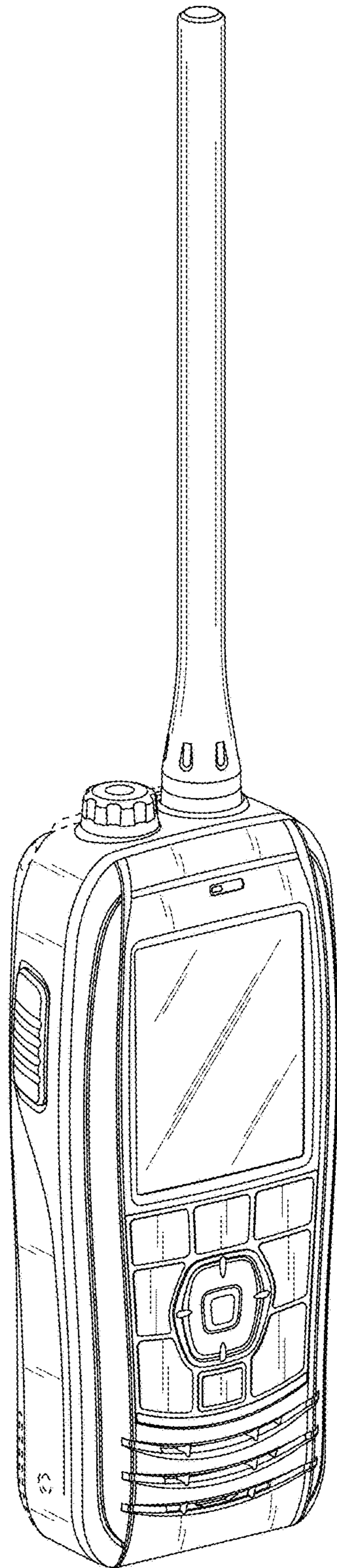


FIG. 1

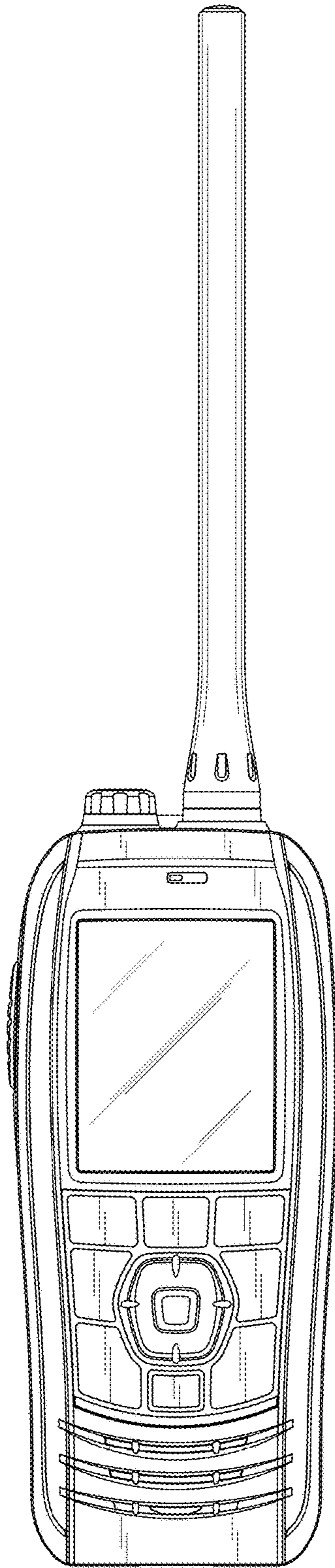


FIG. 2

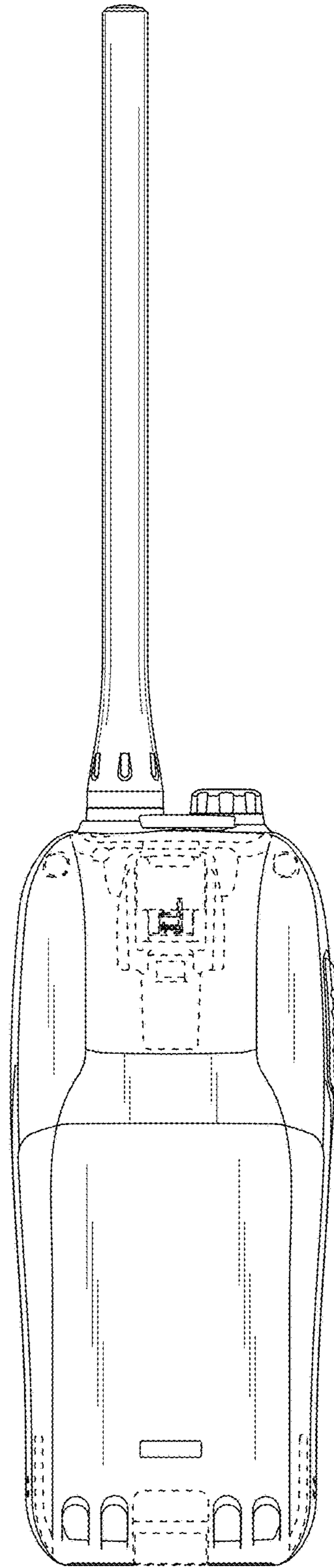


FIG. 3

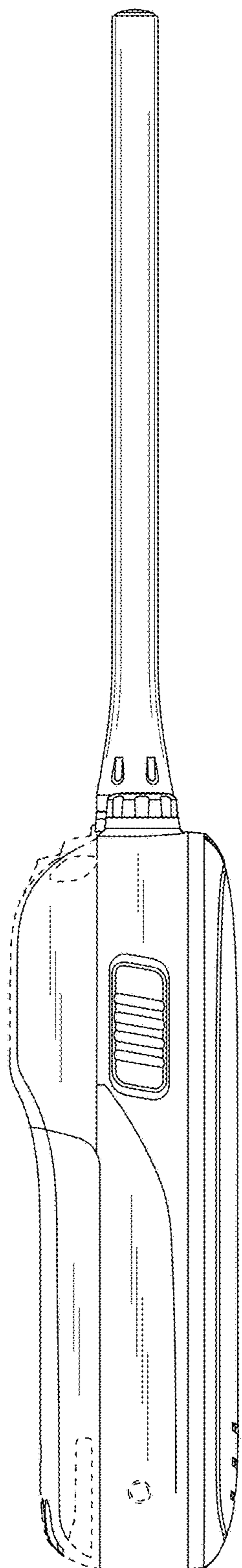


FIG. 4

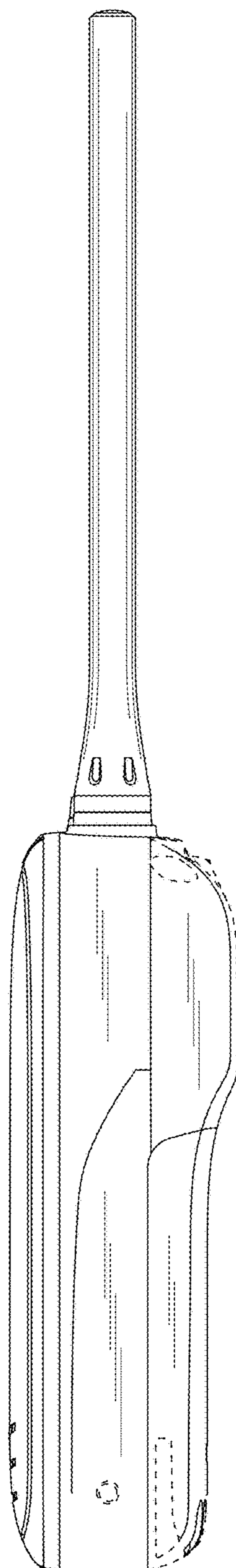


FIG. 5

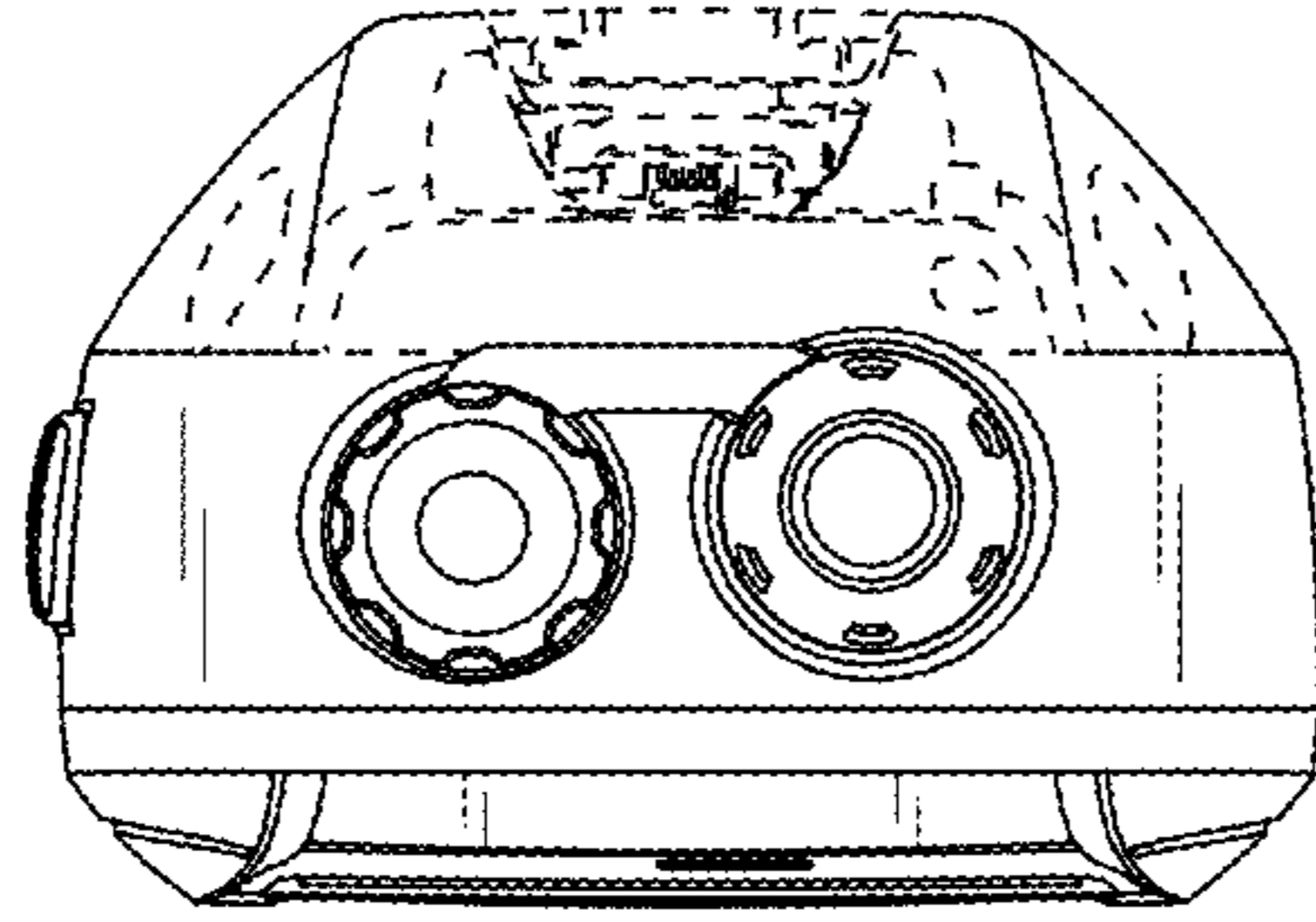


FIG. 6

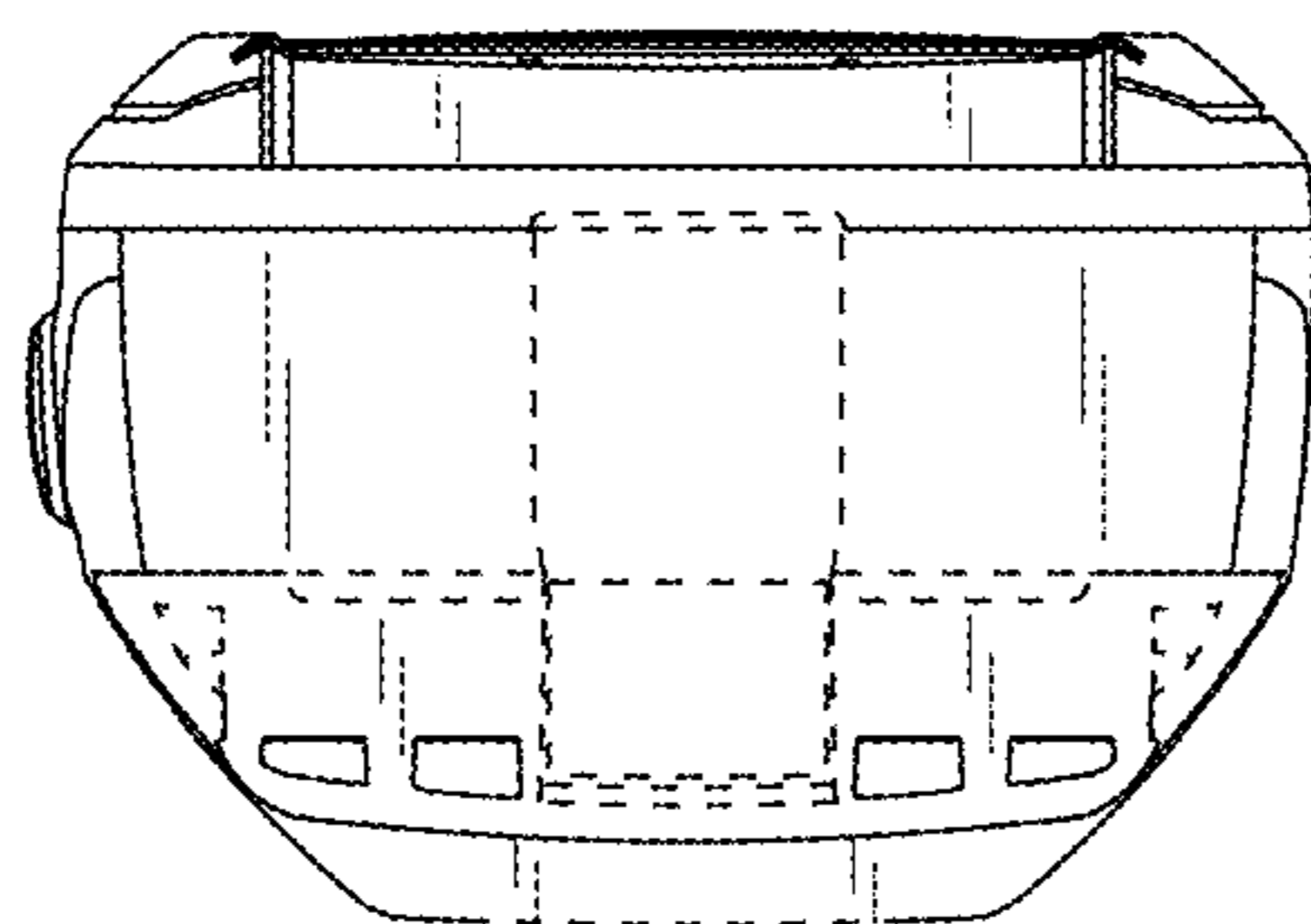


FIG. 7