



US00D797068S

(12) **United States Design Patent**
Becker

(10) **Patent No.:** **US D797,068 S**

(45) **Date of Patent:** **** Sep. 12, 2017**

(54) **ENTERAL FEEDING CONNECTOR**

(71) Applicant: **Fresenius Kabi Deutschland GmbH**,
Bad Homburg (DE)

(72) Inventor: **Michael Becker**, Knittlingen (DE)

(73) Assignee: **Fresenius Kabi Deutschland GmbH**,
Bad Homburg (DE)

(**) Term: **15 Years**

(21) Appl. No.: **29/545,137**

(22) Filed: **Nov. 10, 2015**

(30) **Foreign Application Priority Data**

May 18, 2015 (EP) 002702597-0001

(51) **LOC (10) Cl.** **24-02**

(52) **U.S. Cl.**
USPC **D14/129**

(58) **Field of Classification Search**
USPC D24/107, 108, 112, 127, 129; D23/262
CPC A61M 39/10; A61M 39/1011
See application file for complete search history.

(56) **References Cited**

U.S. PATENT DOCUMENTS

4,894,056 A * 1/1990 Bommarito A61M 25/0017
604/159
D314,050 S * 1/1991 Sone D24/129
D679,009 S * 3/2013 Amborn D24/129

2013/0320672 A1* 12/2013 Steele F16L 37/0982
285/305
2016/0089528 A1* 3/2016 Schuessler A61M 39/10
604/535

* cited by examiner

Primary Examiner — Richelle G Shelton

(74) *Attorney, Agent, or Firm* — Cook Alex Ltd.

(57) **CLAIM**

The ornamental design for the enteral feeding connector, as shown and described.

DESCRIPTION

FIG. 1 is a bottom perspective view of an enteral feeding connector showing my new design, the opposite bottom perspective view being identical;

FIG. 2 is a front view of the enteral feeding connector of FIG. 1;

FIG. 3 a back view of the enteral feeding connector of FIG. 1.

FIG. 4 is an elevational end view of the enteral feeding connector taken from the right-hand side of FIG. 2;

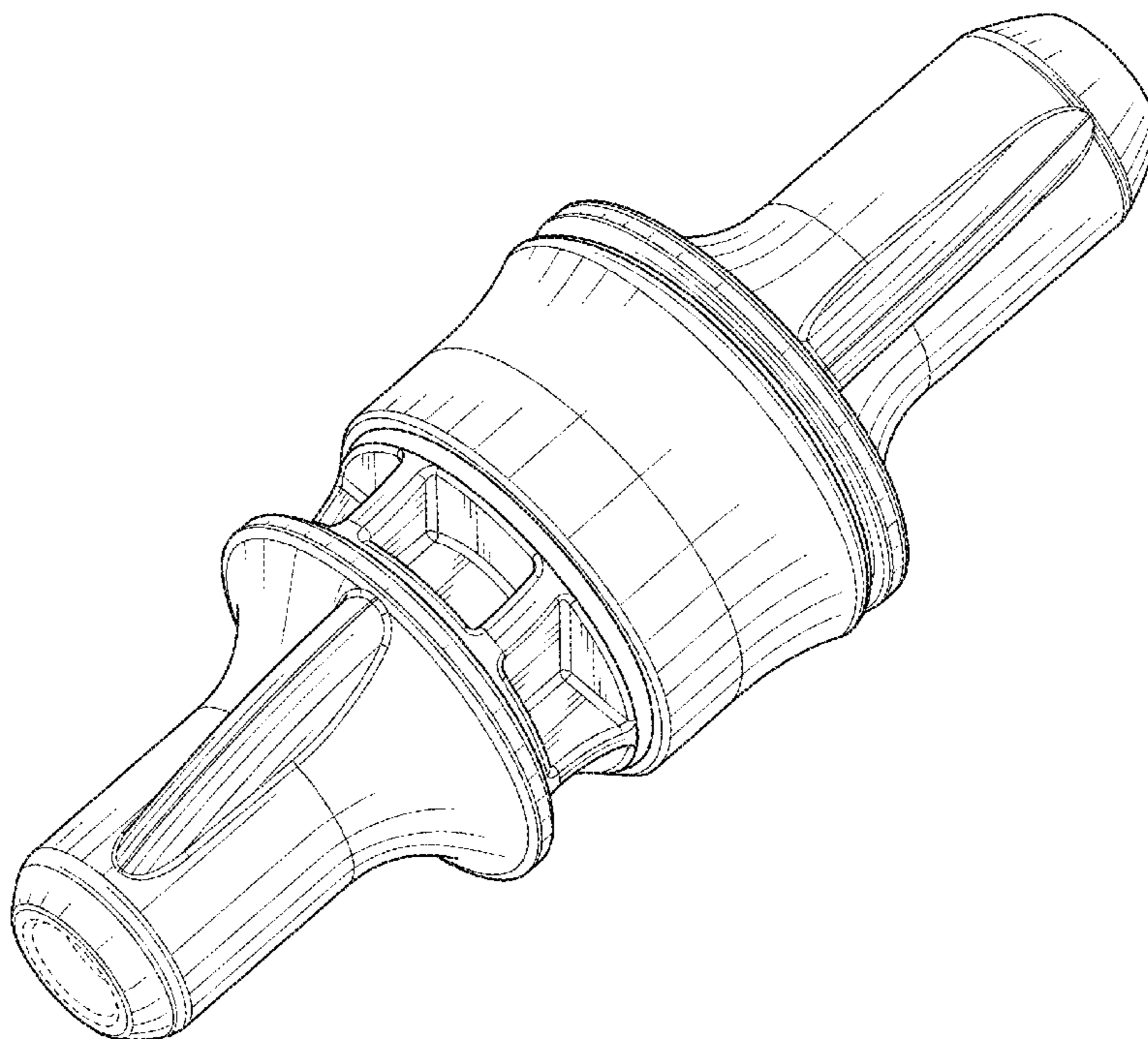
FIG. 5 is an elevational end view of the enteral feeding connector taken from the left-hand side of FIG. 2;

FIG. 6 is a top view of the enteral feeding connector of FIG. 2; and,

FIG. 7 is a bottom view of the enteral feeding connector of FIG. 2.

The broken lines immediately adjacent the shaded areas represent the bounds of the claimed design, while all other broken lines are directed to portions of the article excluded from the claim. The broken line disclosure forms no part of the claimed design.

1 Claim, 6 Drawing Sheets



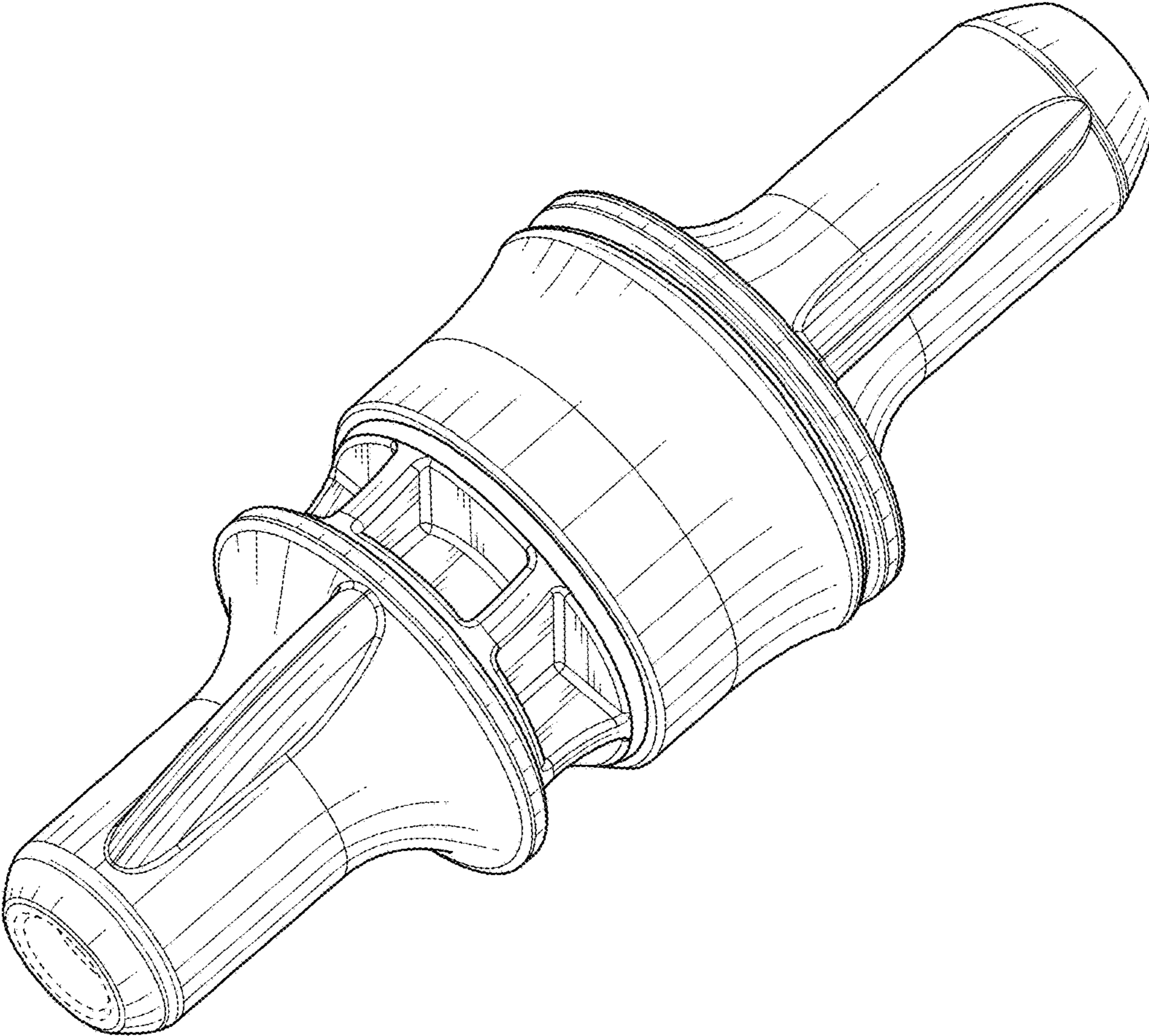


FIG. 1

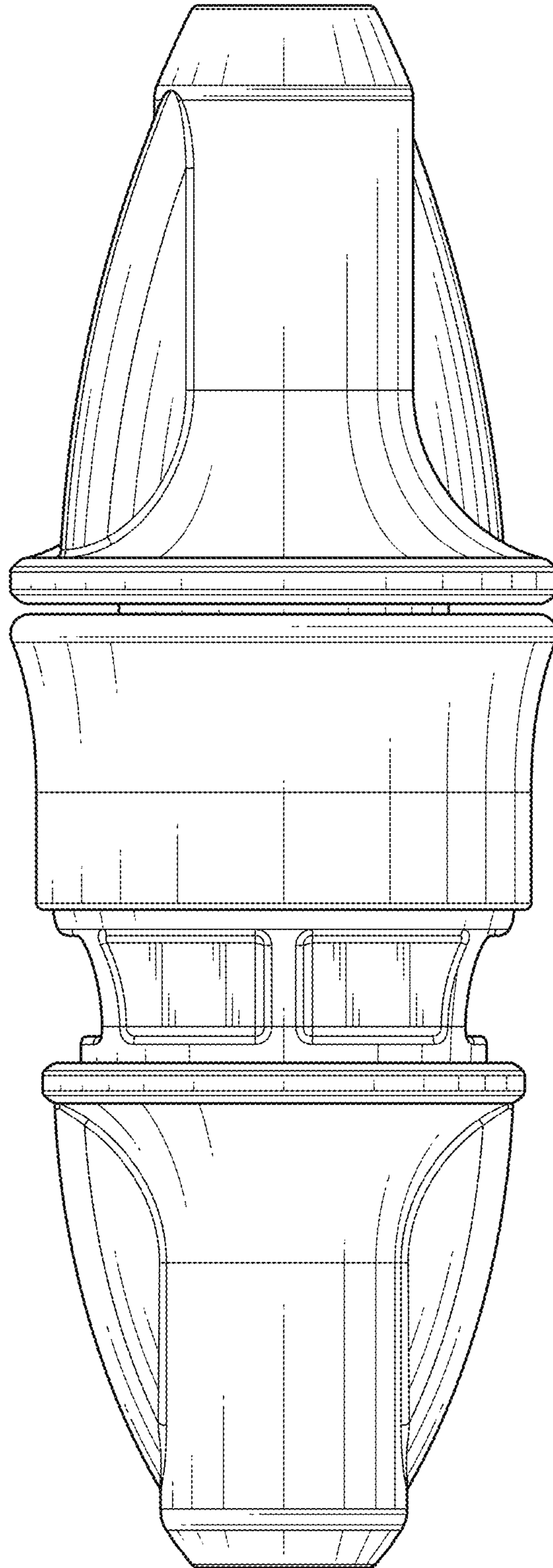


FIG. 2

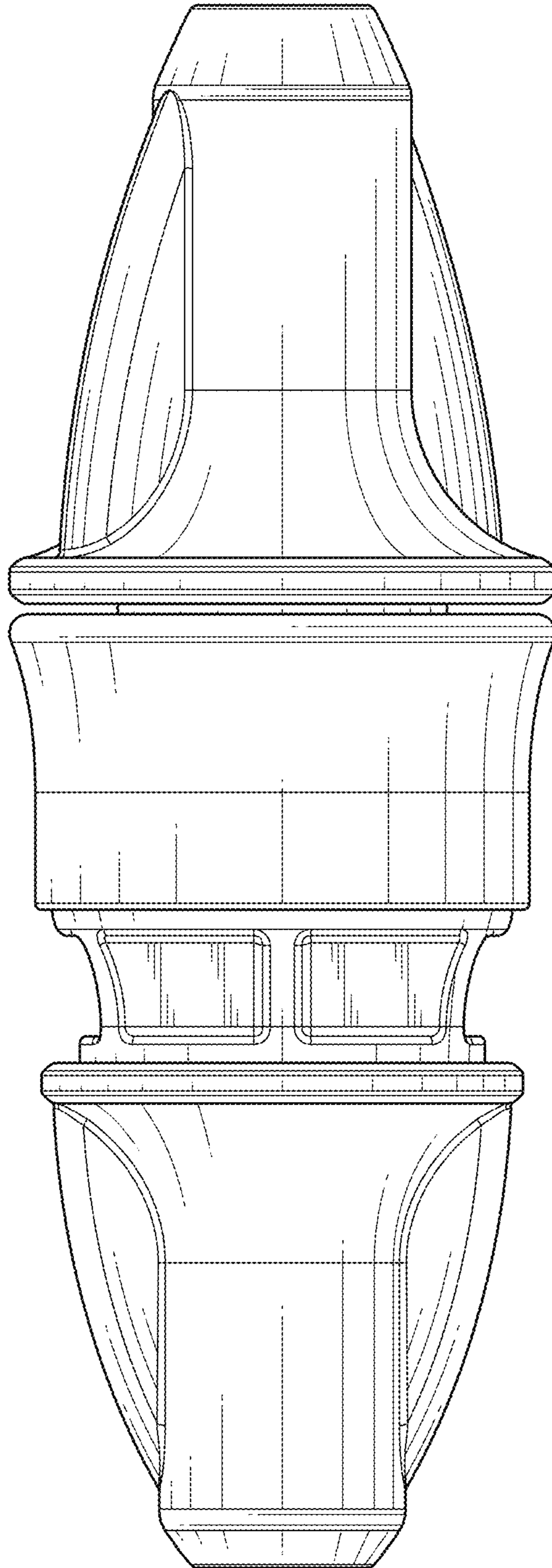


FIG. 3

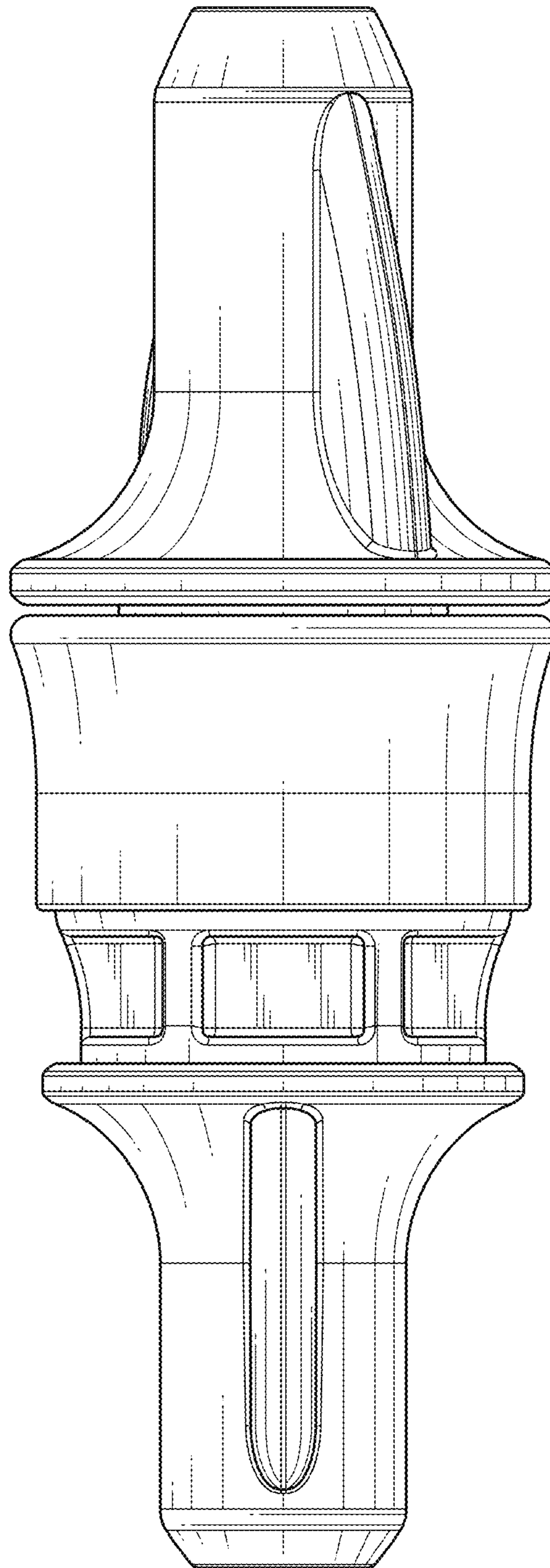


FIG. 4

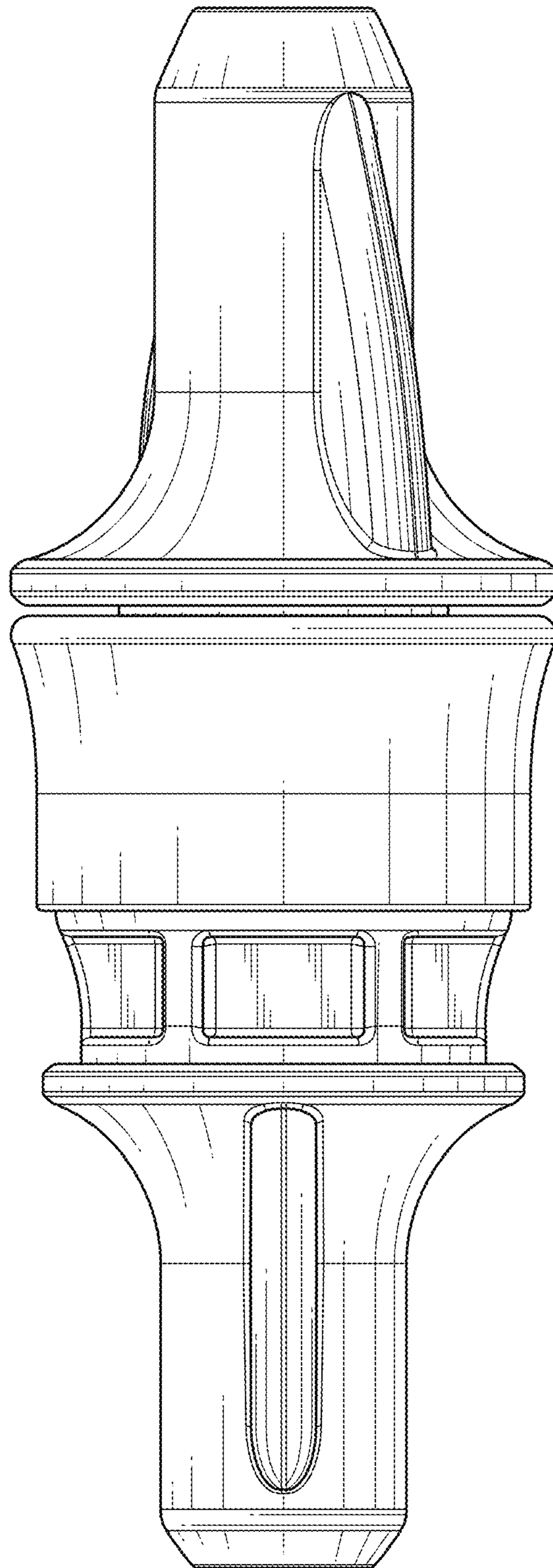


FIG. 5

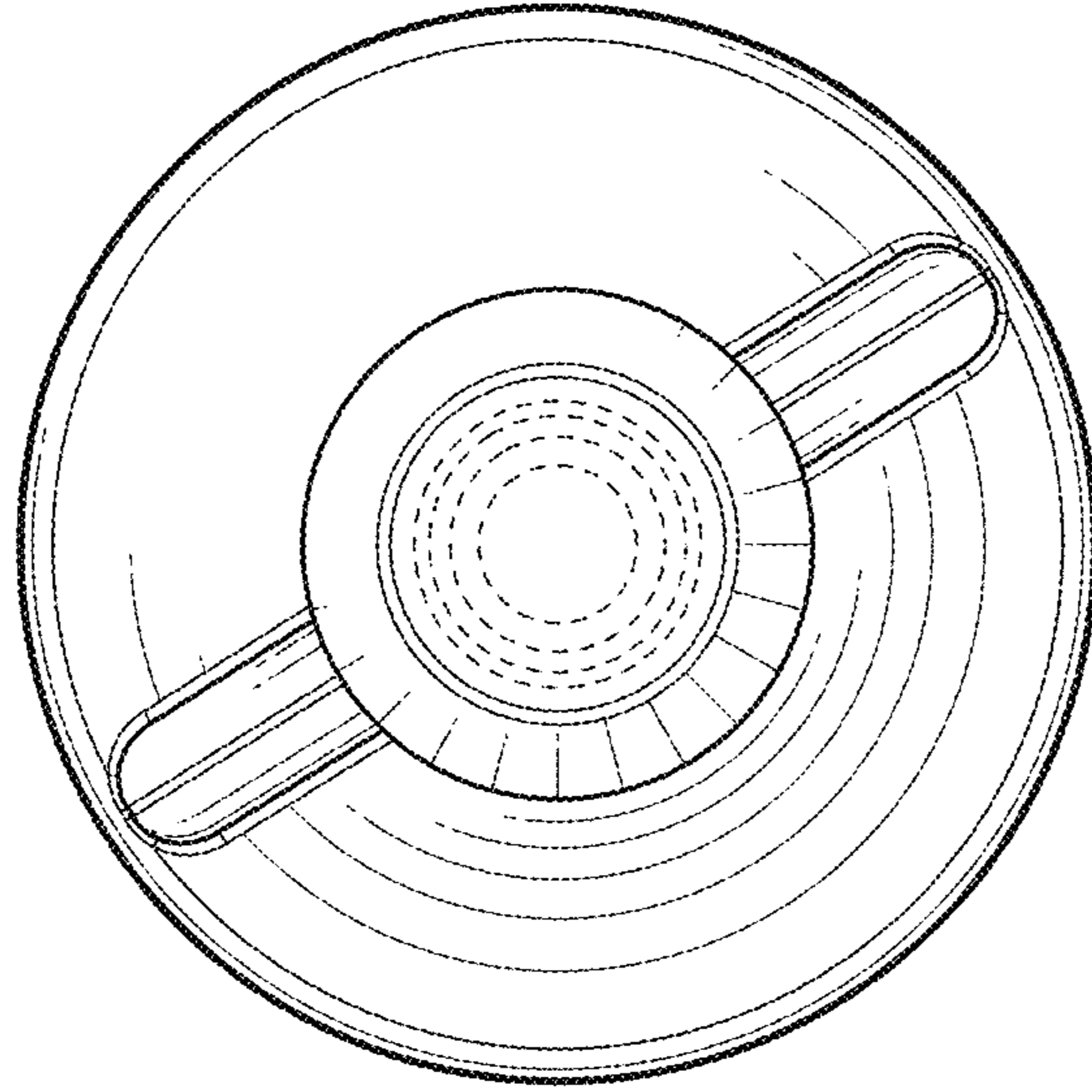


FIG. 6

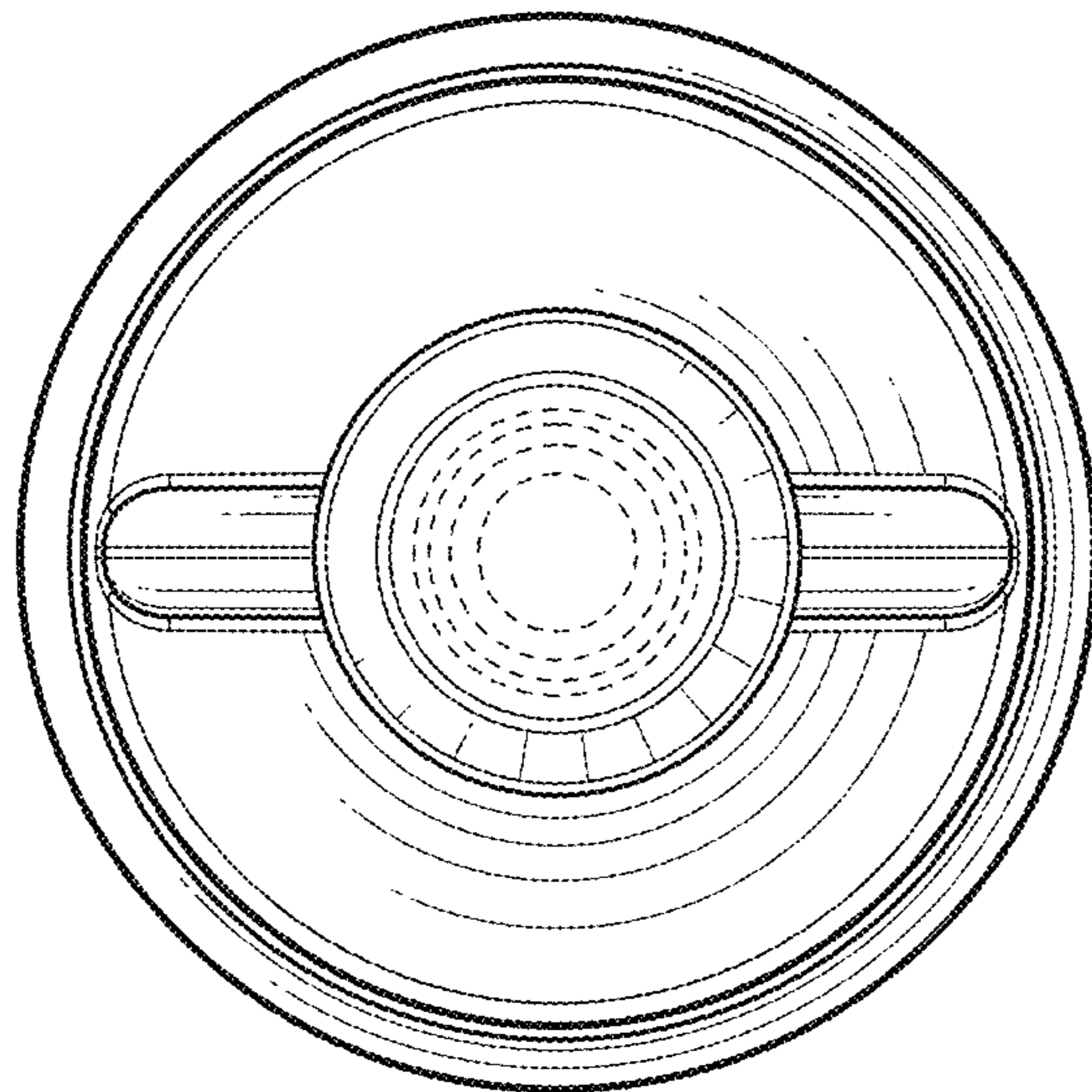


FIG. 7