



US00D797065S

(12) **United States Design Patent**
Yeh et al.

(10) **Patent No.:** **US D797,065 S**

(45) **Date of Patent:** **** Sep. 12, 2017**

(54) **LIGHT-EMITTING DIODE ARRAY**

(71) Applicant: **EPISTAR CORPORATION**, Hsinchu (TW)

(72) Inventors: **Hui-Chun Yeh**, Hsinchu (TW);
Jhih-Yong Yang, Hsinchu (TW);
Chien-Fu Shen, Hsinchu (TW);
Tsun-Kai Ko, Hsinchu (TW)

(73) Assignee: **EPISTAR CORPORATION**, Hsinchu (TW)

(**) Term: **15 Years**

(21) Appl. No.: **29/578,539**

(22) Filed: **Sep. 22, 2016**

(30) **Foreign Application Priority Data**

May 11, 2016 (TW) 105302591
Jun. 15, 2016 (TW) 105302591D01

(51) **LOC (10) Cl.** **13-03**

(52) **U.S. Cl.**
USPC **D13/180**

(58) **Field of Classification Search**
USPC D13/180; D26/1
CPC ... H01L 25/167; H01L 25/0753; H01L 27/15;
H01L 27/156; H01L 31/02; H01L 33/00;
H01L 33/04; H01L 33/08; H01L 33/10;
H01L 33/20; H01L 33/38; H01L 33/42;
H01L 33/4862; H01L 33/483; H01L
33/486

See application file for complete search history.

(56) **References Cited**

U.S. PATENT DOCUMENTS

D644,188 S * 8/2011 Shen D13/180
8,466,487 B2 * 6/2013 Emura H01L 33/38
257/99

D687,396 S * 8/2013 Chen D13/180
D719,112 S * 12/2014 Yeh D13/180
D744,966 S * 12/2015 Yeh D13/180
9,281,449 B2 * 3/2016 Kim H01L 33/06
9,373,751 B2 * 6/2016 Sato H01L 33/36
D770,399 S * 11/2016 Yeh D13/180
D770,401 S * 11/2016 Kim D13/180
9,577,152 B2 * 2/2017 Sato H01L 33/387
D782,426 S * 3/2017 Yeh D13/180

(Continued)

Primary Examiner — Selina Sikder

(74) *Attorney, Agent, or Firm* — Muncy, Geissler, Olds & Lowe, P.C.

(57) **CLAIM**

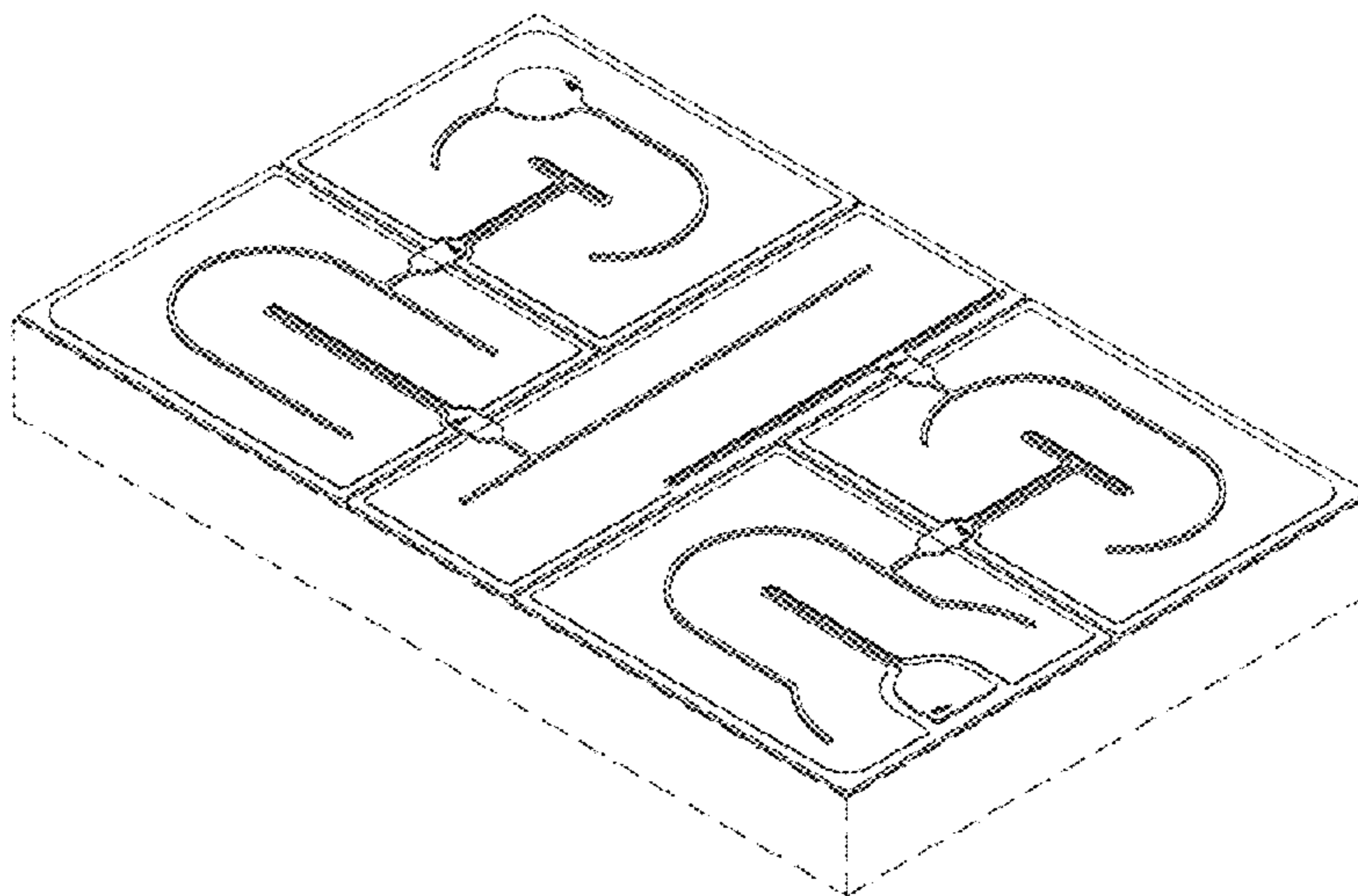
The ornamental design for a light-emitting diode array, as shown and described.

DESCRIPTION

FIG. 1 is a perspective view of a light-emitting diode array showing our first example of the new design;
FIG. 2 is another perspective view thereof;
FIG. 3 is a front elevational view thereof;
FIG. 4 is a rear elevational view thereof;
FIG. 5 is a left side view thereof;
FIG. 6 is a right side view thereof;
FIG. 7 is a top plan view thereof;
FIG. 8 is a bottom plan view thereof;
FIG. 9 is a perspective view of a light-emitting diode array showing our second example of the new design;
FIG. 10 is another perspective view thereof;
FIG. 11 is a front elevational view thereof;
FIG. 12 is a rear elevational view thereof;
FIG. 13 is a left side view thereof;
FIG. 14 is a right side view thereof;
FIG. 15 is a top plan view thereof; and,
FIG. 16 is a bottom plan view thereof.

The broken line showing is for the purpose of illustrating environmental structure only and forms no part of the claimed design.

1 Claim, 12 Drawing Sheets



(56)

References Cited

U.S. PATENT DOCUMENTS

9,601,674 B2 * 3/2017 Yeh H01L 27/156
2003/0107053 A1 * 6/2003 Uemura H01L 33/32
257/200
2011/0089442 A1 * 4/2011 Jing H01L 25/0753
257/91
2011/0316126 A1 * 12/2011 Emura H01L 33/44
257/632
2013/0214320 A1 * 8/2013 Onishi H01L 33/44
257/99
2015/0146426 A1 * 5/2015 Yeh H01L 27/156
362/249.06

* cited by examiner

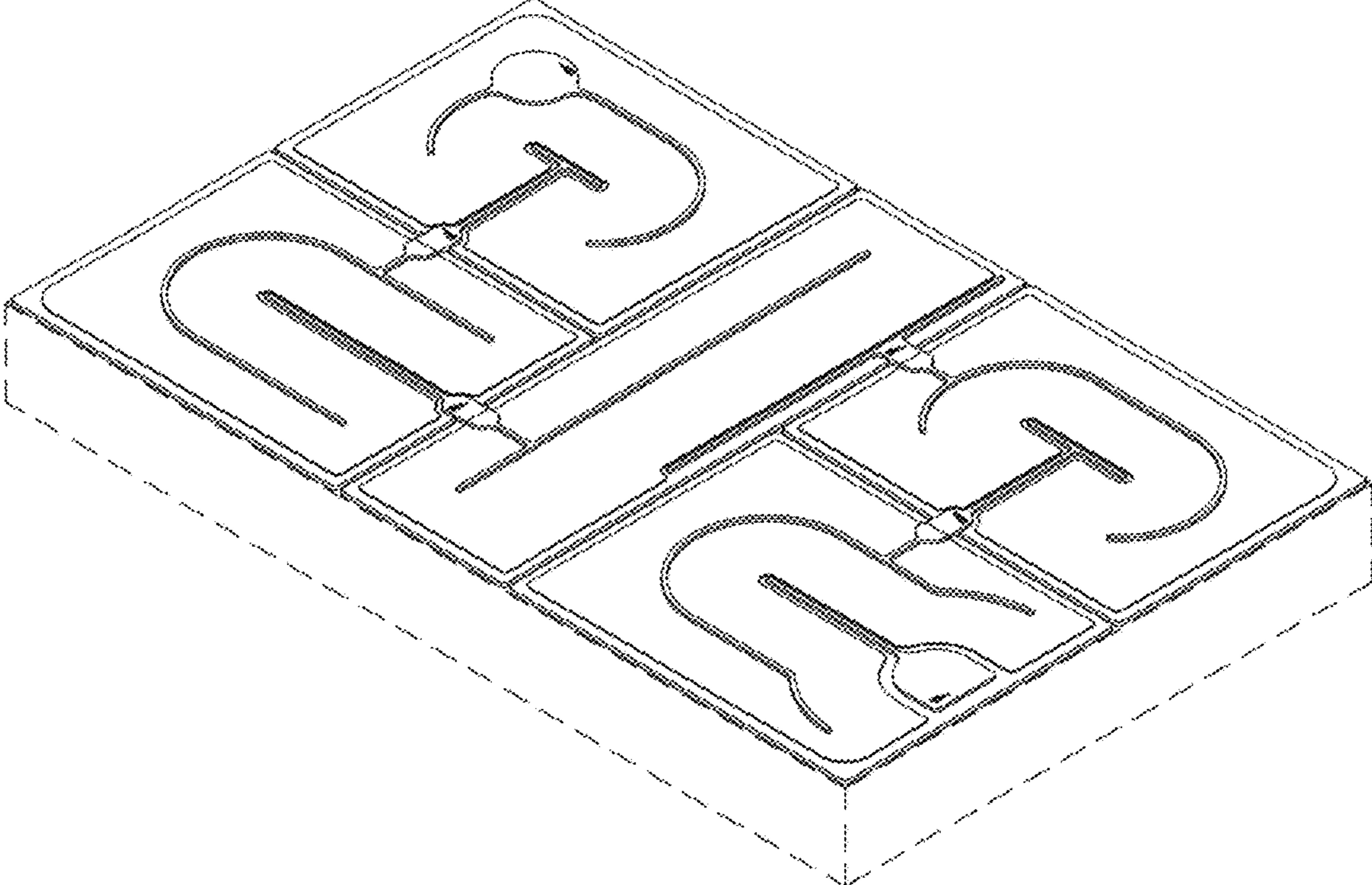


FIG. 1

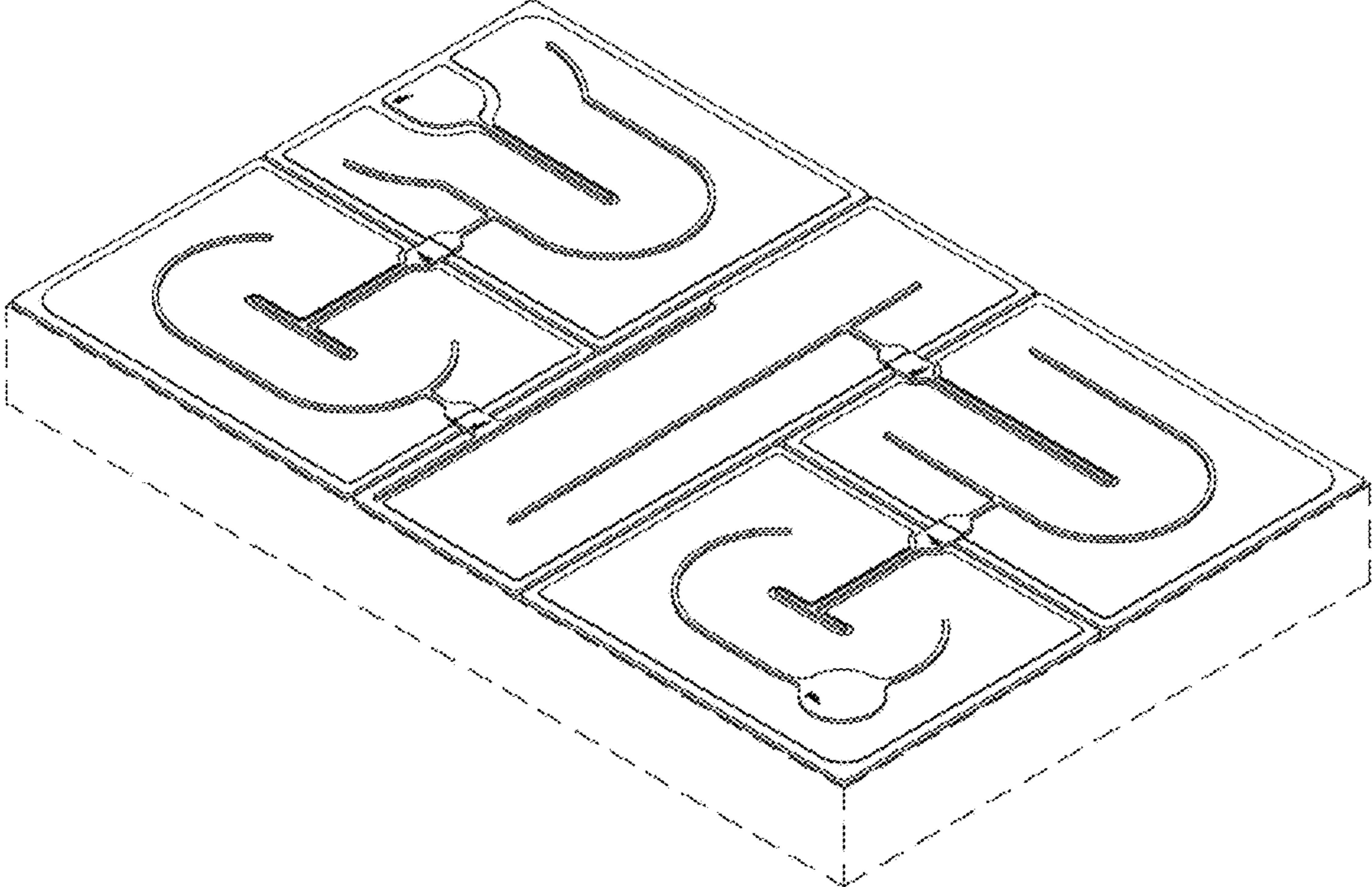


FIG. 2

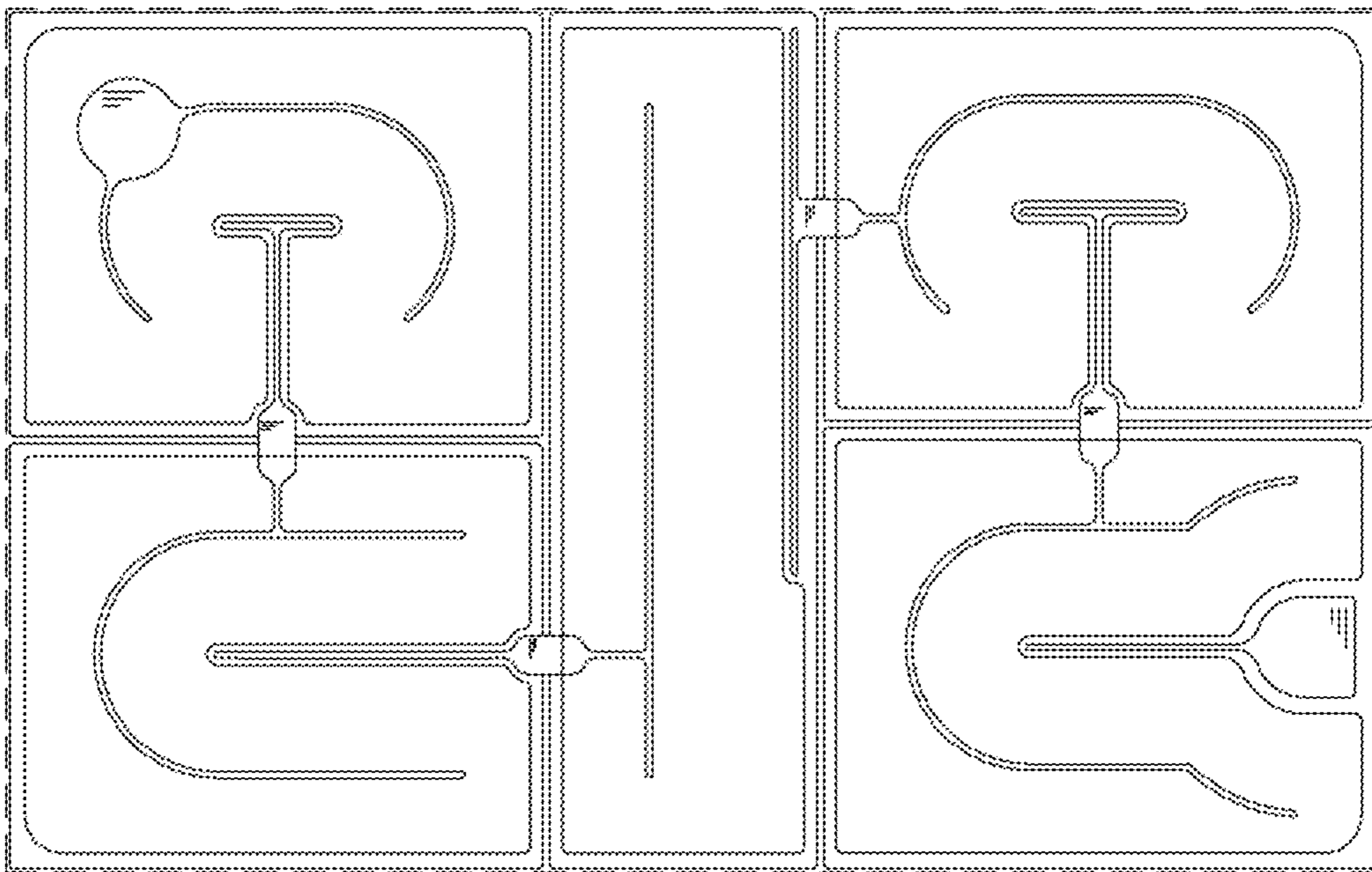


FIG. 3



FIG. 4



FIG. 5

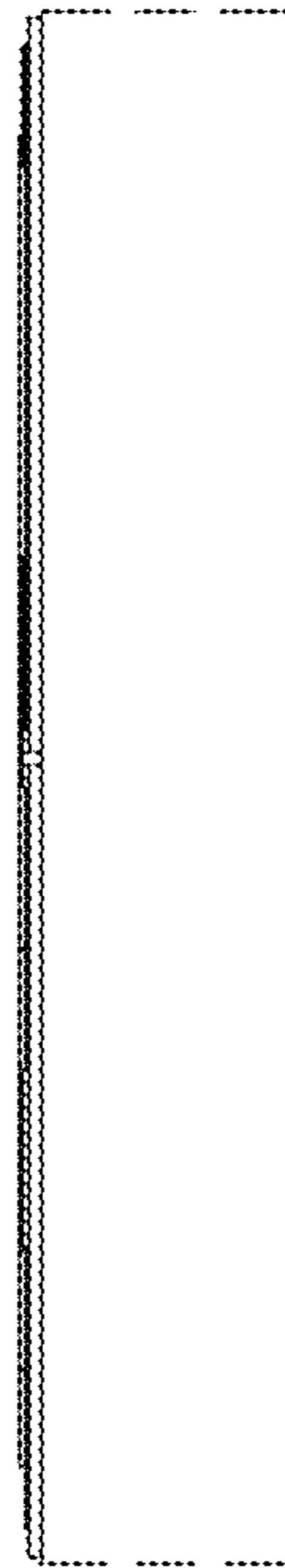


FIG. 6

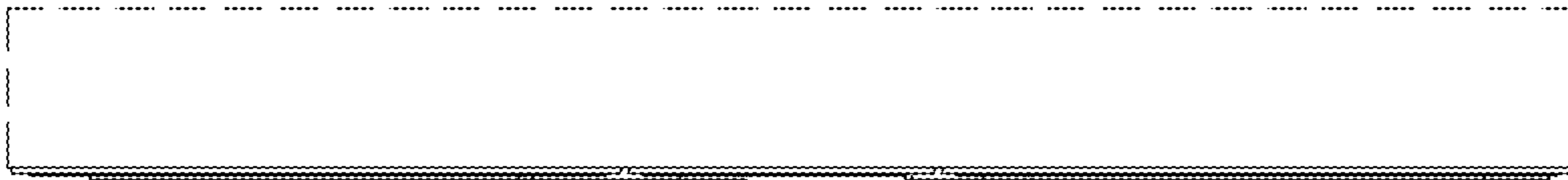


FIG. 7

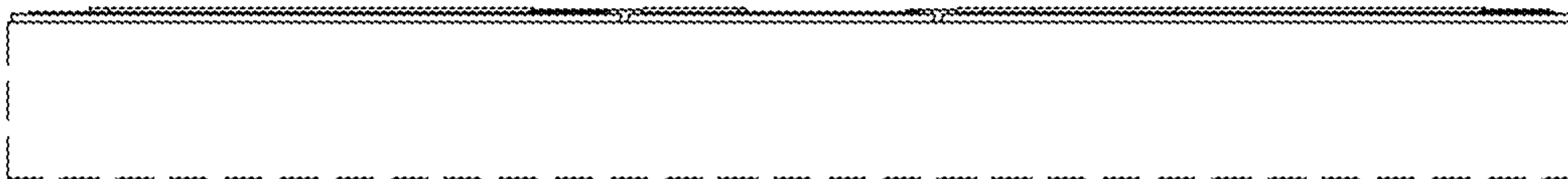


FIG. 8

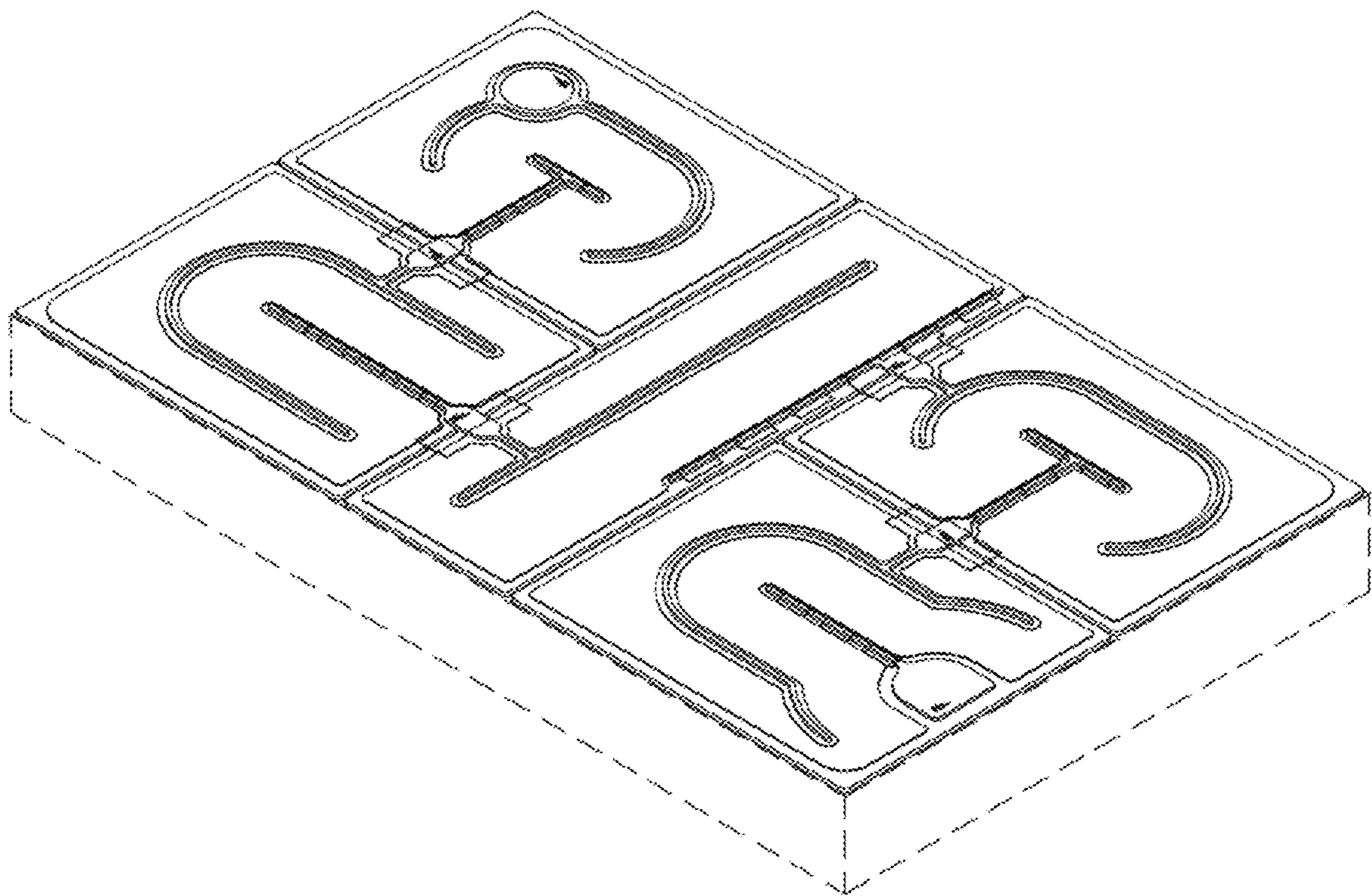


FIG. 9

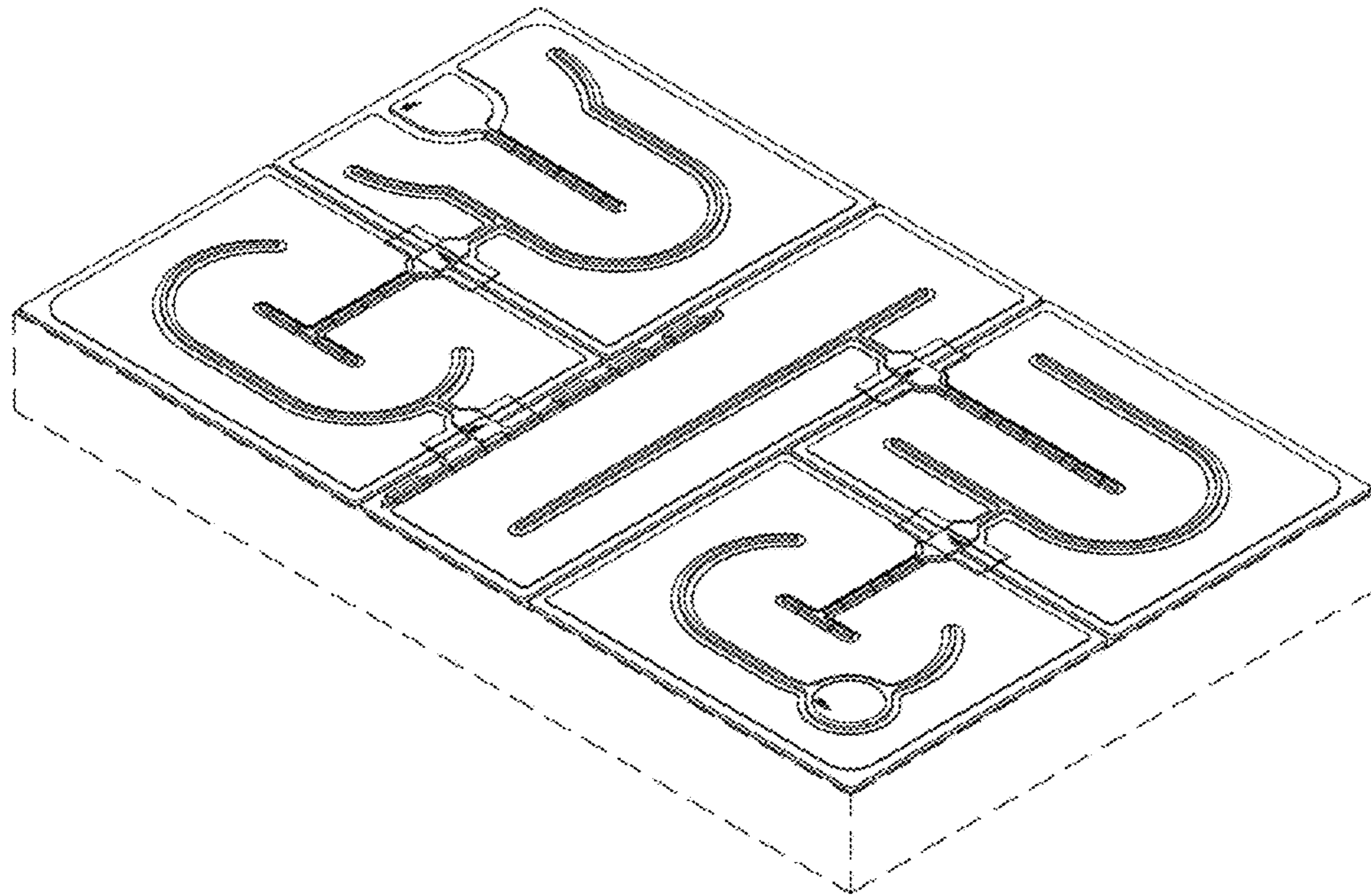


FIG. 10

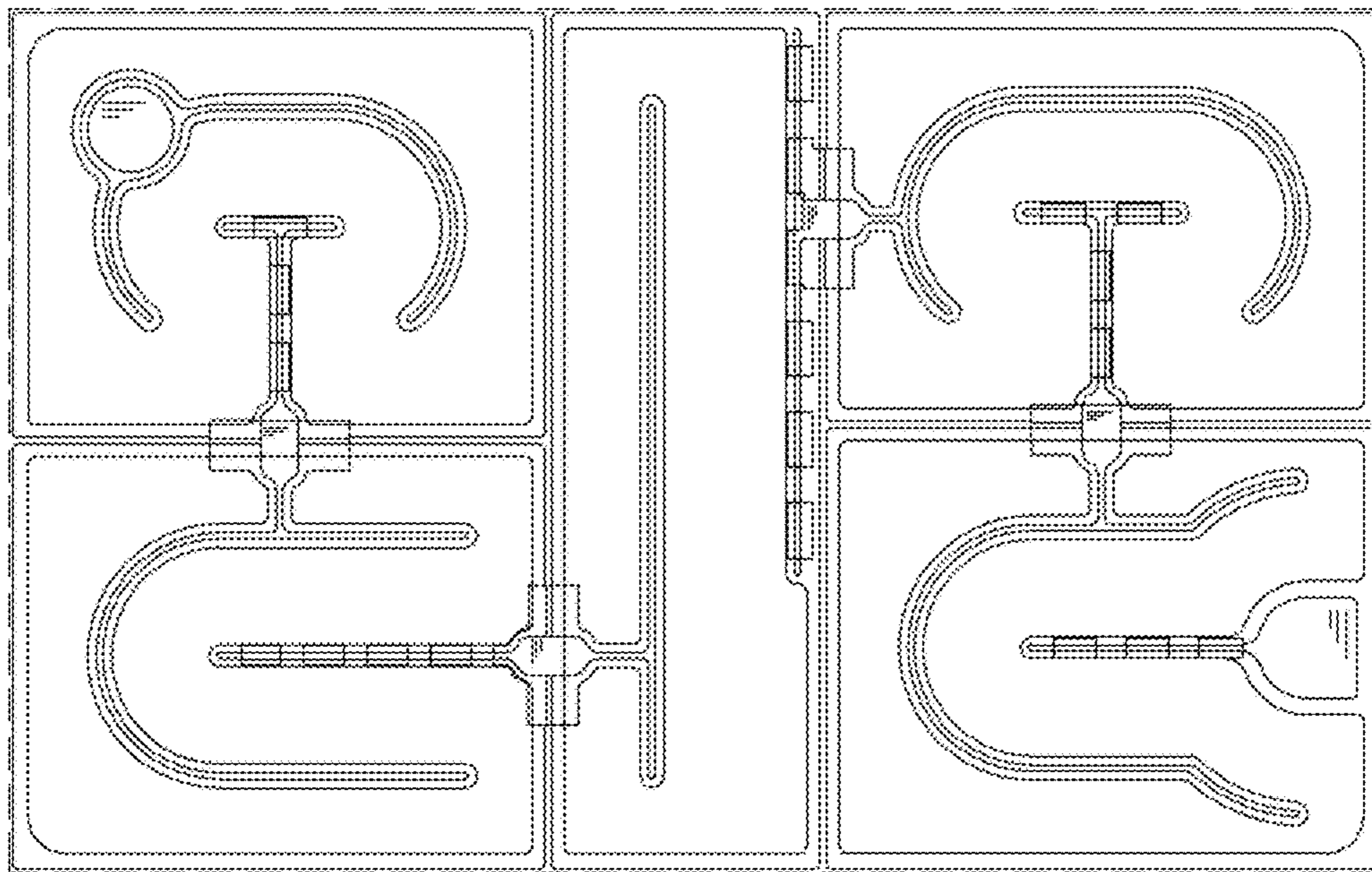


FIG. 11

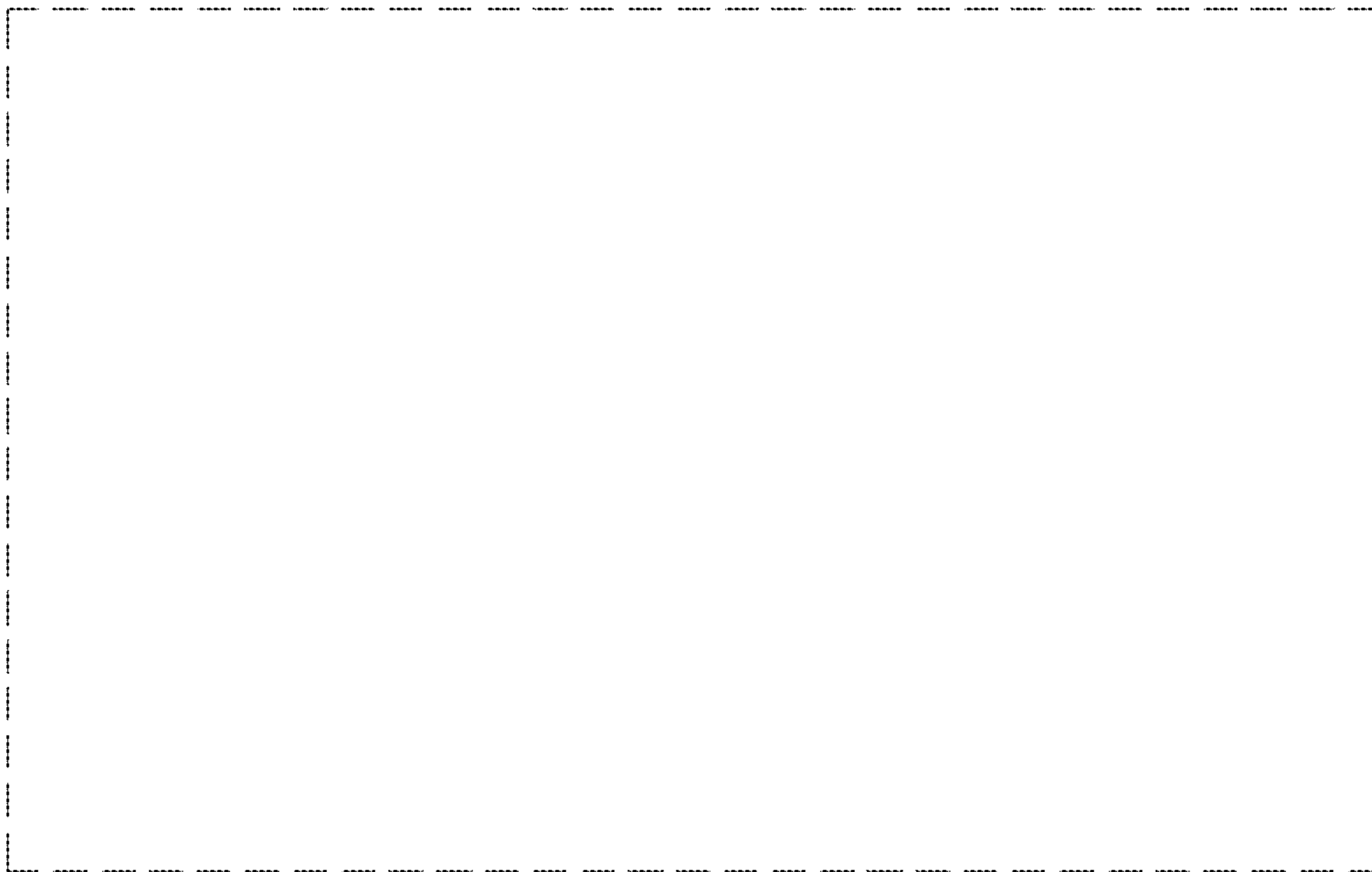


FIG. 12

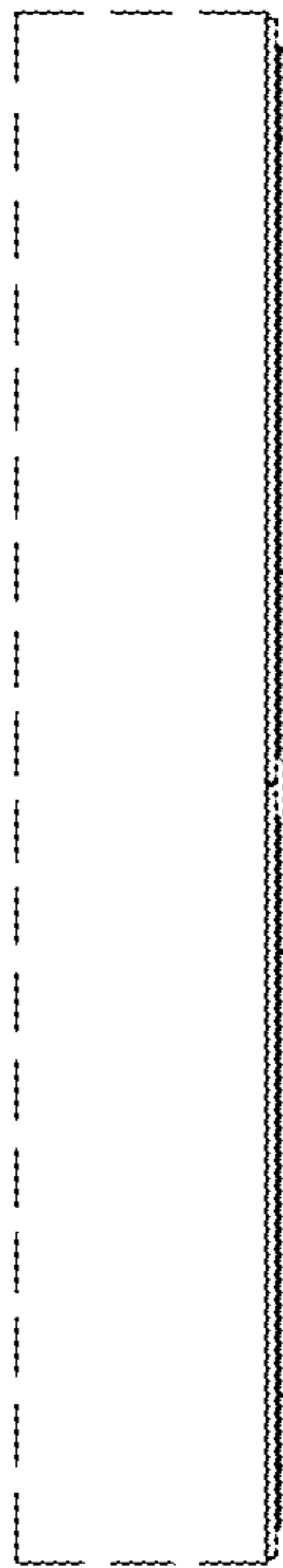


FIG. 13

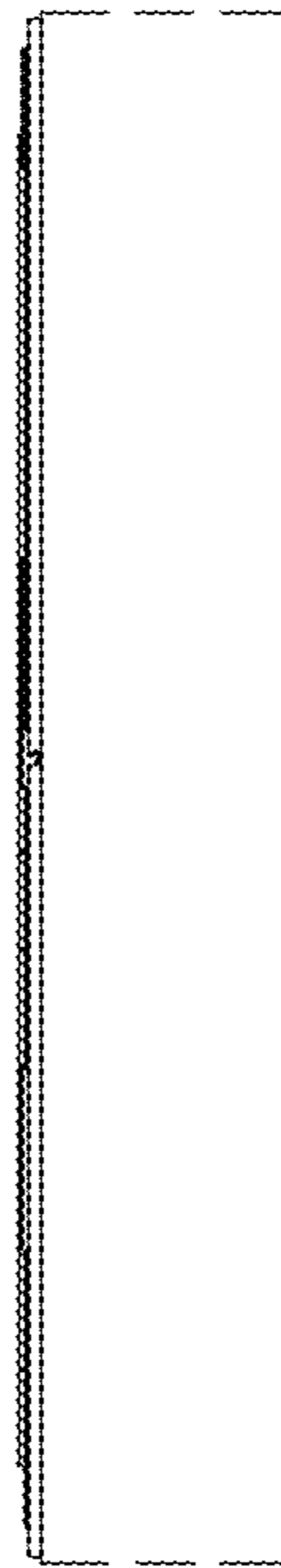


FIG. 14

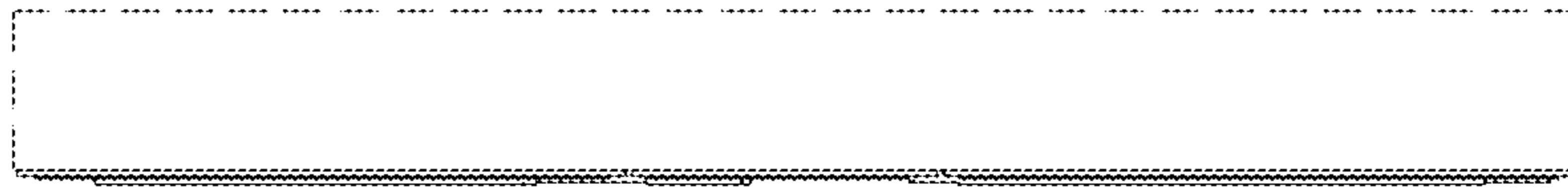


FIG. 15

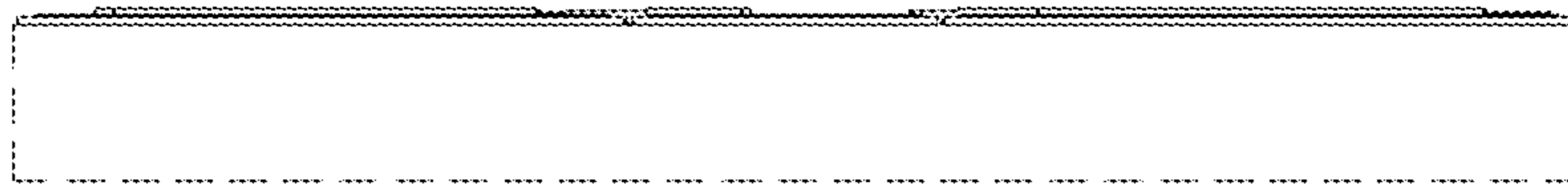


FIG. 16