



US00D797064S

(12) **United States Design Patent** (10) **Patent No.:** **US D797,064 S**
Yeh et al. (45) **Date of Patent:** **** Sep. 12, 2017**

(54) **LIGHT-EMITTING DIODE ARRAY**
 (71) Applicant: **EPISTAR CORPORATION**, Hsinchu (TW)
 (72) Inventors: **Hui-Chun Yeh**, Hsinchu (TW);
Jhieh-Yong Yang, Hsinchu (TW);
Chien-Fu Shen, Hsinchu (TW);
Tsun-Kai Ko, Hsinchu (TW)
 (73) Assignee: **EPISTAR CORPORATION**, Hsinchu (TW)
 (**) Term: **15 Years**

8,319,233 B2 * 11/2012 Beom H01L 33/38
 257/13
 8,471,242 B2 * 6/2013 Kim H01L 33/42
 257/13
 D716,238 S * 10/2014 Yeh D13/180
 D750,580 S * 3/2016 Yeh D13/180
 9,401,456 B2 * 7/2016 Lee H01L 33/38
 9,530,934 B1 * 12/2016 Chou H01L 33/38
 D782,428 S * 3/2017 Tsai D13/180
 9,634,192 B2 * 4/2017 Moon H01L 33/387
 2011/0147784 A1 * 6/2011 Brockley H01L 33/38
 257/99
 2011/0215363 A1 * 9/2011 Kimura H01L 33/36
 257/99
 2012/0098023 A1 * 4/2012 Weng H01L 33/20
 257/99

(21) Appl. No.: **29/577,775**
 (22) Filed: **Sep. 15, 2016**
 (30) **Foreign Application Priority Data**
 May 9, 2016 (TW) 105302534
 (51) **LOC (10) Cl.** **13-03**
 (52) **U.S. Cl.**
 USPC **D13/180**
 (58) **Field of Classification Search**
 USPC D13/180; D26/1
 CPC ... H01L 25/167; H01L 25/0753; H01L 27/15;
 H01L 27/156; H01L 31/02; H01L 33/00;
 H01L 33/04; H01L 33/08; H01L 33/10;
 H01L 33/20; H01L 33/38; H01L 33/42;
 H01L 33/4862; H01L 33/483; H01L
 33/486
 See application file for complete search history.

* cited by examiner

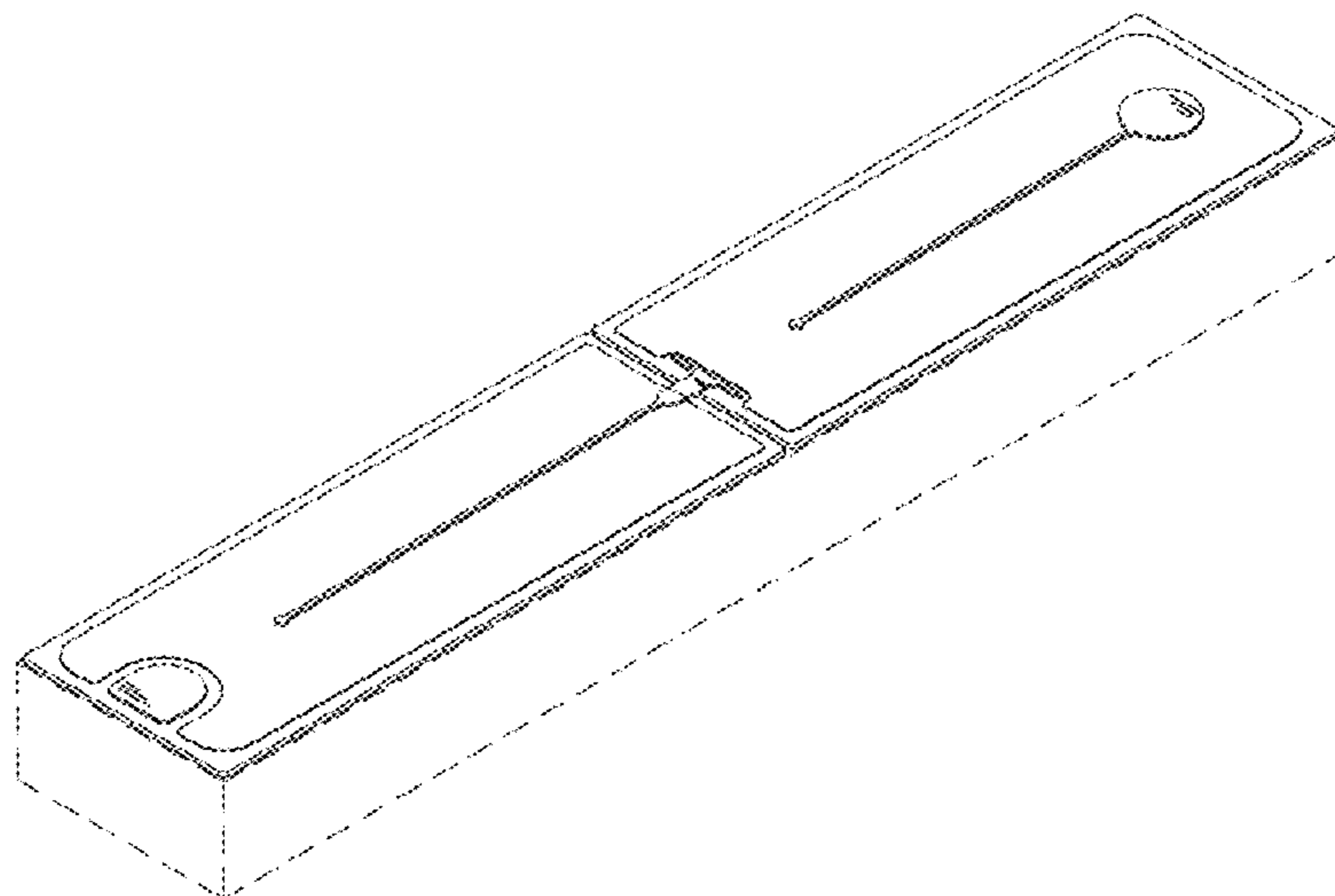
Primary Examiner — Selina Sikder
 (74) *Attorney, Agent, or Firm* — Muncy, Geissler, Olds & Lowe, P.C.

(56) **References Cited**
 U.S. PATENT DOCUMENTS
 D579,019 S * 10/2008 Lei D13/180
 D647,493 S * 10/2011 Chang D13/180
 D647,494 S * 10/2011 Chang D13/180

(57) **CLAIM**
 The ornamental design for a light-emitting diode array, as shown and described.

DESCRIPTION
 FIG. 1 is a perspective view of a light-emitting diode array showing our first example of the new design;
 FIG. 2 is another perspective view thereof;
 FIG. 3 is a front elevational view thereof;
 FIG. 4 is a rear elevational view thereof;
 FIG. 5 is a left side view thereof;
 FIG. 6 is a right side view thereof;
 FIG. 7 is a top plan view thereof; and,
 FIG. 8 is a bottom plan view thereof.
 The broken line showing is for the purpose of illustrating environmental structure only and forms no part of the claimed design.

1 Claim, 6 Drawing Sheets



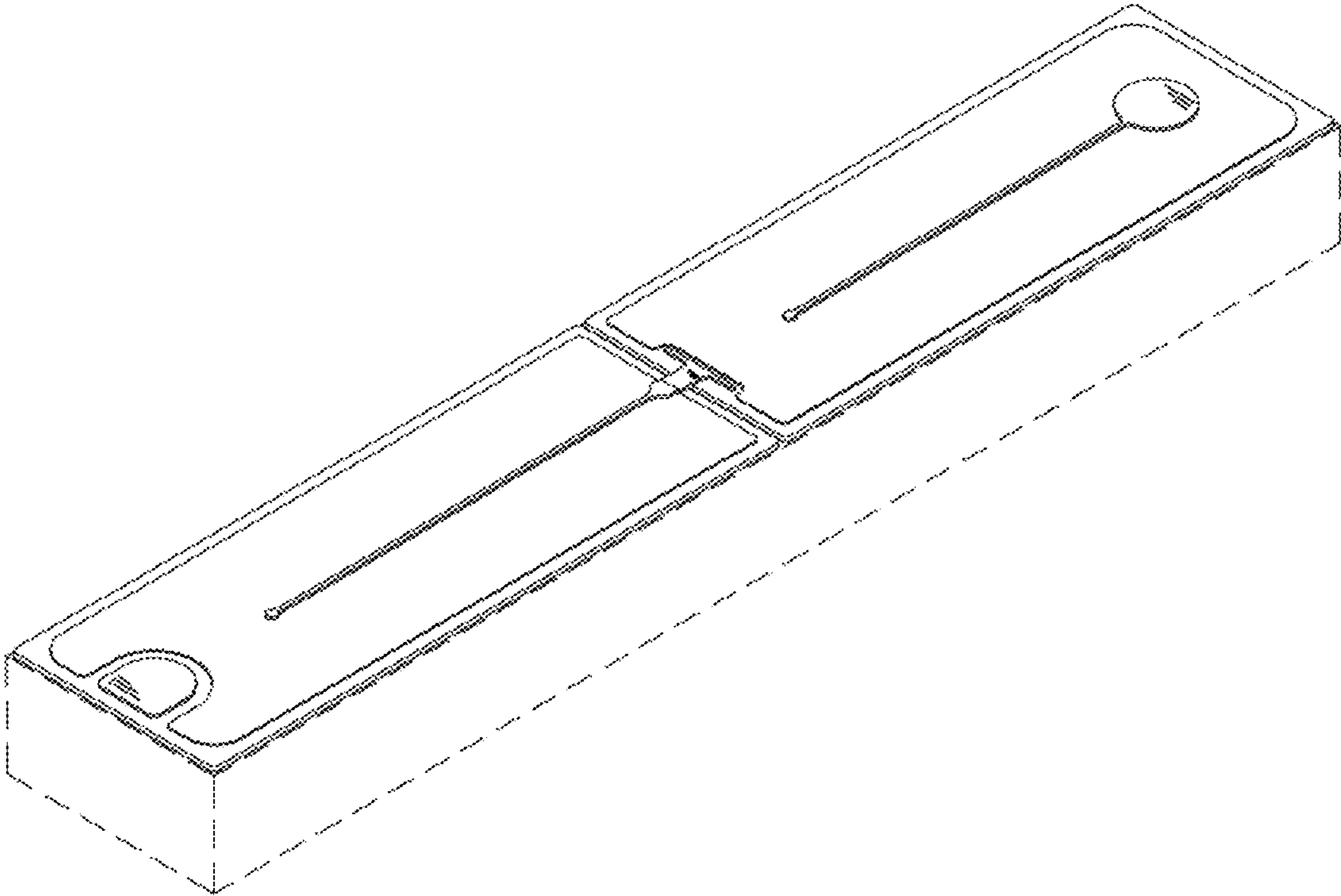


FIG. 1

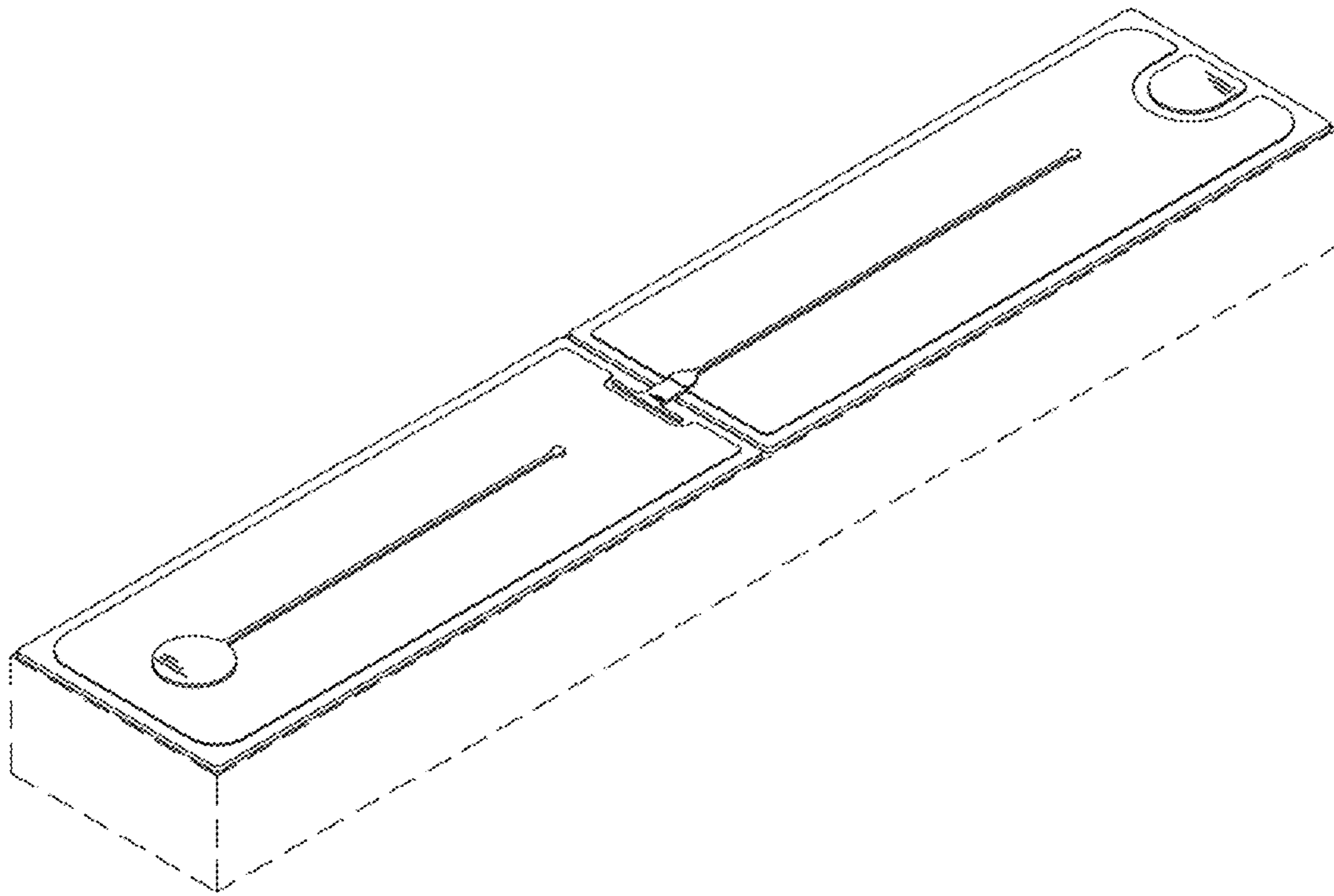


FIG. 2

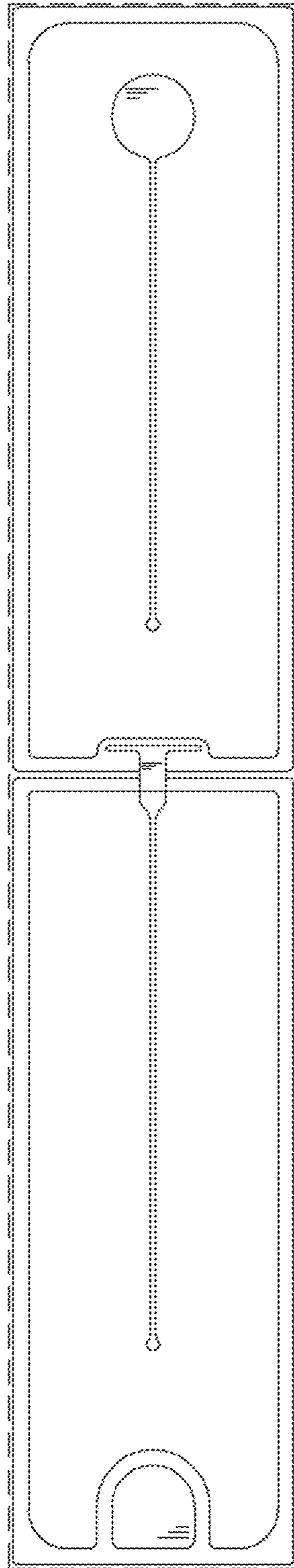


FIG. 3

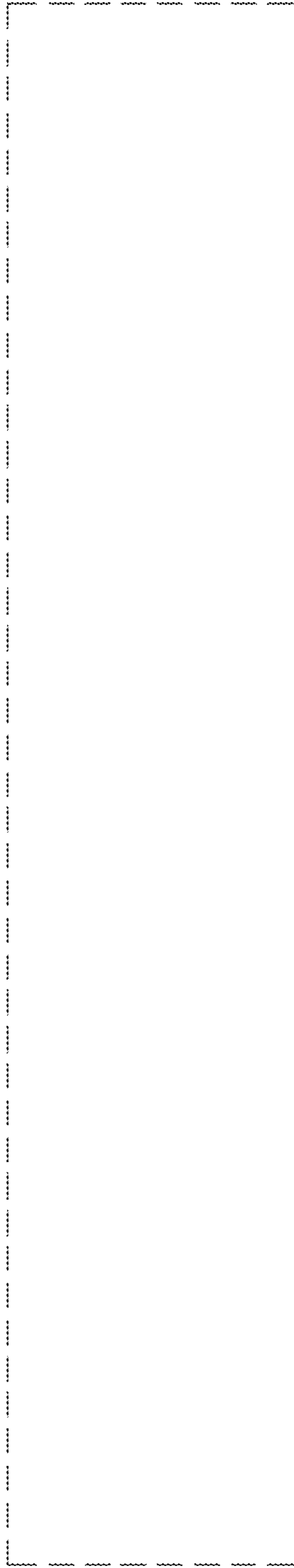


FIG. 4

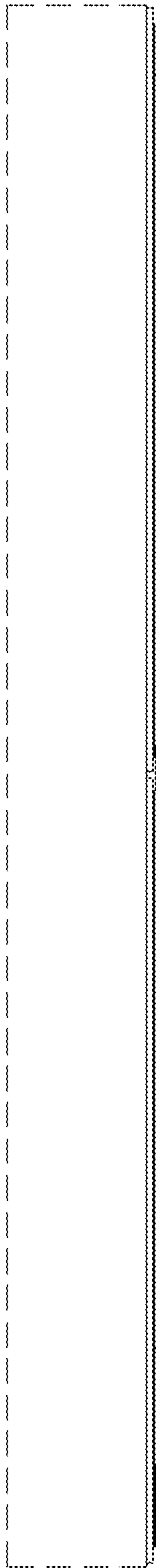


FIG. 5

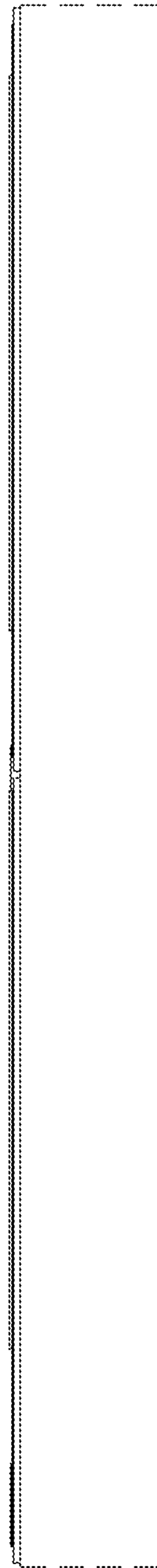


FIG. 6

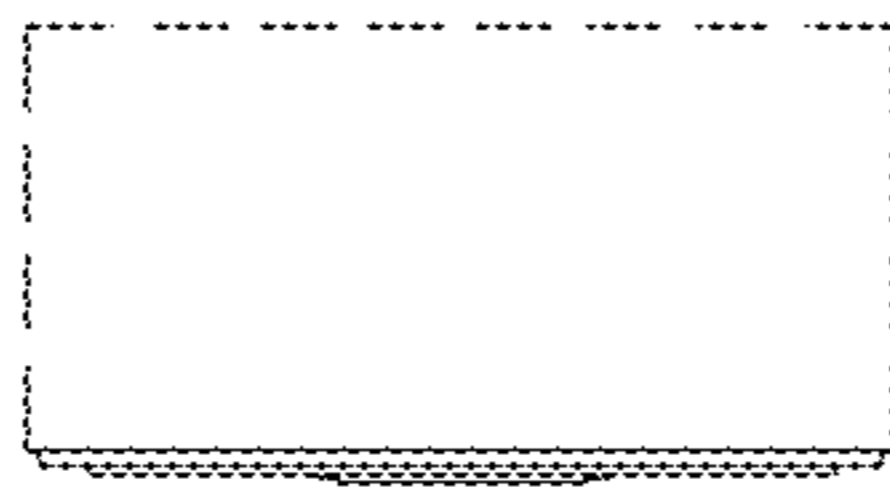


FIG. 7

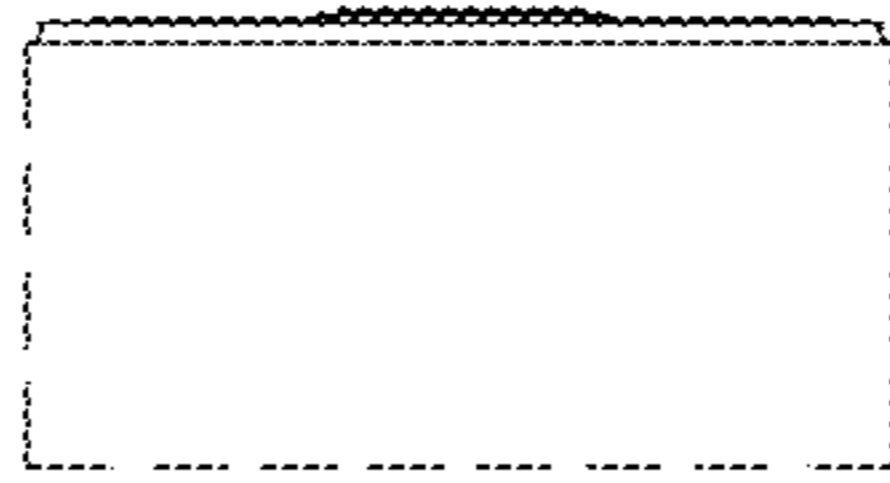


FIG. 8