



US00D797063S

(12) **United States Design Patent** (10) **Patent No.:** **US D797,063 S**
Tsai et al. (45) **Date of Patent:** **** Sep. 12, 2017**

(54) **ELECTRICAL RECEPTACLE CONNECTOR**

(71) Applicant: **ADVANCED-CONNECTEK INC.,**
New Taipei (TW)

(72) Inventors: **Yu-Lun Tsai**, New Taipei (TW);
Pin-Yuan Hou, New Taipei (TW);
Chung-Fu Liao, New Taipei (TW);
Ya-Fen Kao, New Taipei (TW);
Yang-Yang Zhou, New Taipei (TW);
Long-Fei Chen, New Taipei (TW)

(73) Assignee: **ADVANCED-CONNECTEK INC.,**
New Taipei (TW)

(**) Term: **15 Years**

(21) Appl. No.: **29/544,174**

(22) Filed: **Oct. 30, 2015**

(30) **Foreign Application Priority Data**

May 5, 2015 (CN) 2015 3 0128193

(51) **LOC (10) Cl.** **13-03**

(52) **U.S. Cl.**
USPC **D13/174**

(58) **Field of Classification Search**
USPC D13/133, 146, 147, 154, 184, 199;
D14/432, 433, 435, 435.1, 436, 437, 438
CPC H01R 13/518; H01R 13/6471; H01R
13/6581; H01R 13/6585; H01R 13/6587;
H01R 13/6592; H01R 13/6593; H01R
13/6594; H01R 24/78; H01R 24/60
See application file for complete search history.

(56) **References Cited**

U.S. PATENT DOCUMENTS

D531,577 S * 11/2006 Su D13/147
D599,297 S * 9/2009 Chen D13/147

D737,211 S * 8/2015 Little D13/147
2016/0322759 A1* 11/2016 Park H01R 13/6585
2016/0329646 A1* 11/2016 Tsai H01R 12/75
2016/0352051 A1* 12/2016 Tsai H01R 13/6585
2017/0040748 A1* 2/2017 Tsai H01R 13/6585

FOREIGN PATENT DOCUMENTS

CN 104538781 A 4/2015
TW M500374 U 5/2015
TW M531668 U 11/2016

* cited by examiner

Primary Examiner — Daniel Bui

(74) *Attorney, Agent, or Firm* — Muncy, Geissler, Olds & Lowe, P.C.

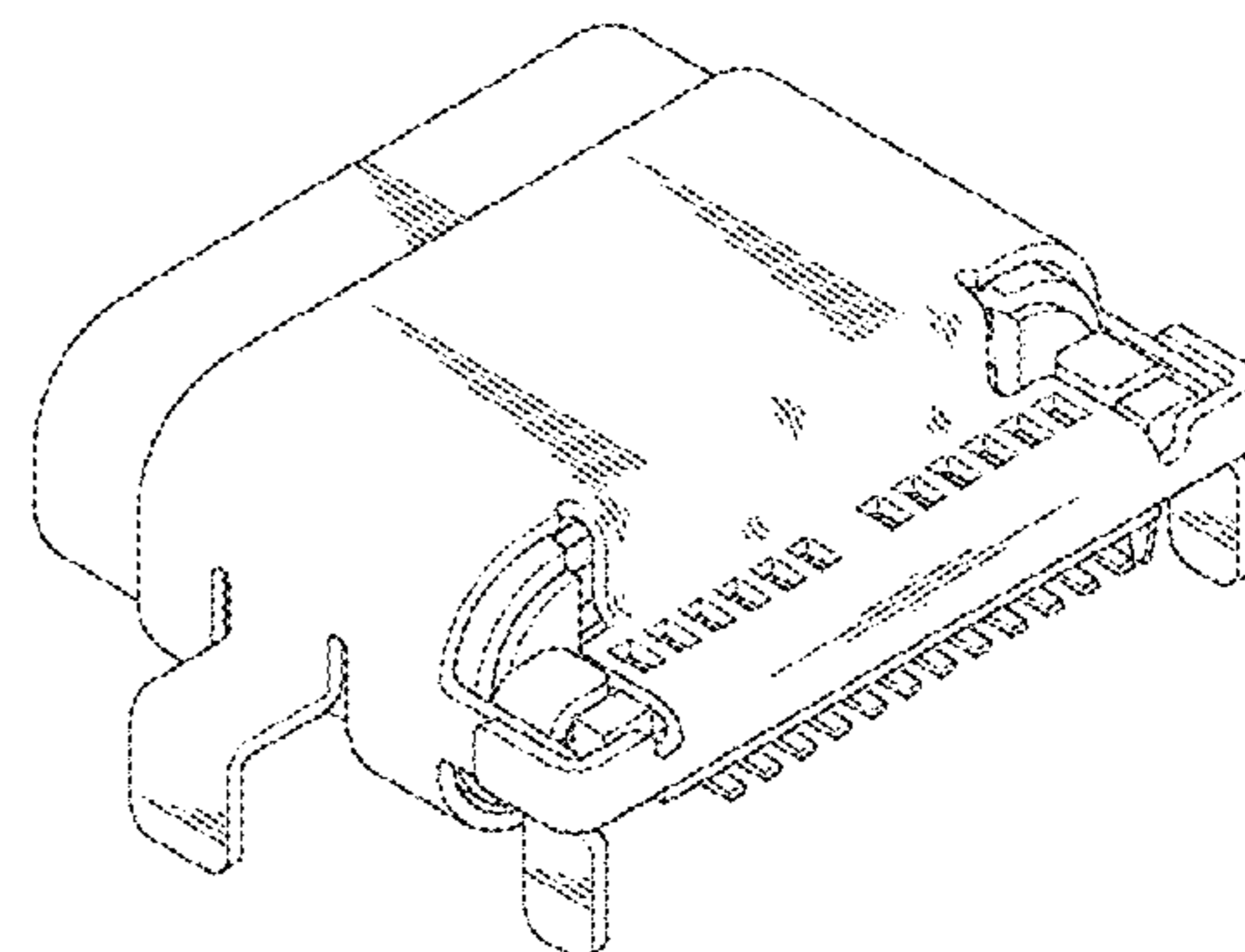
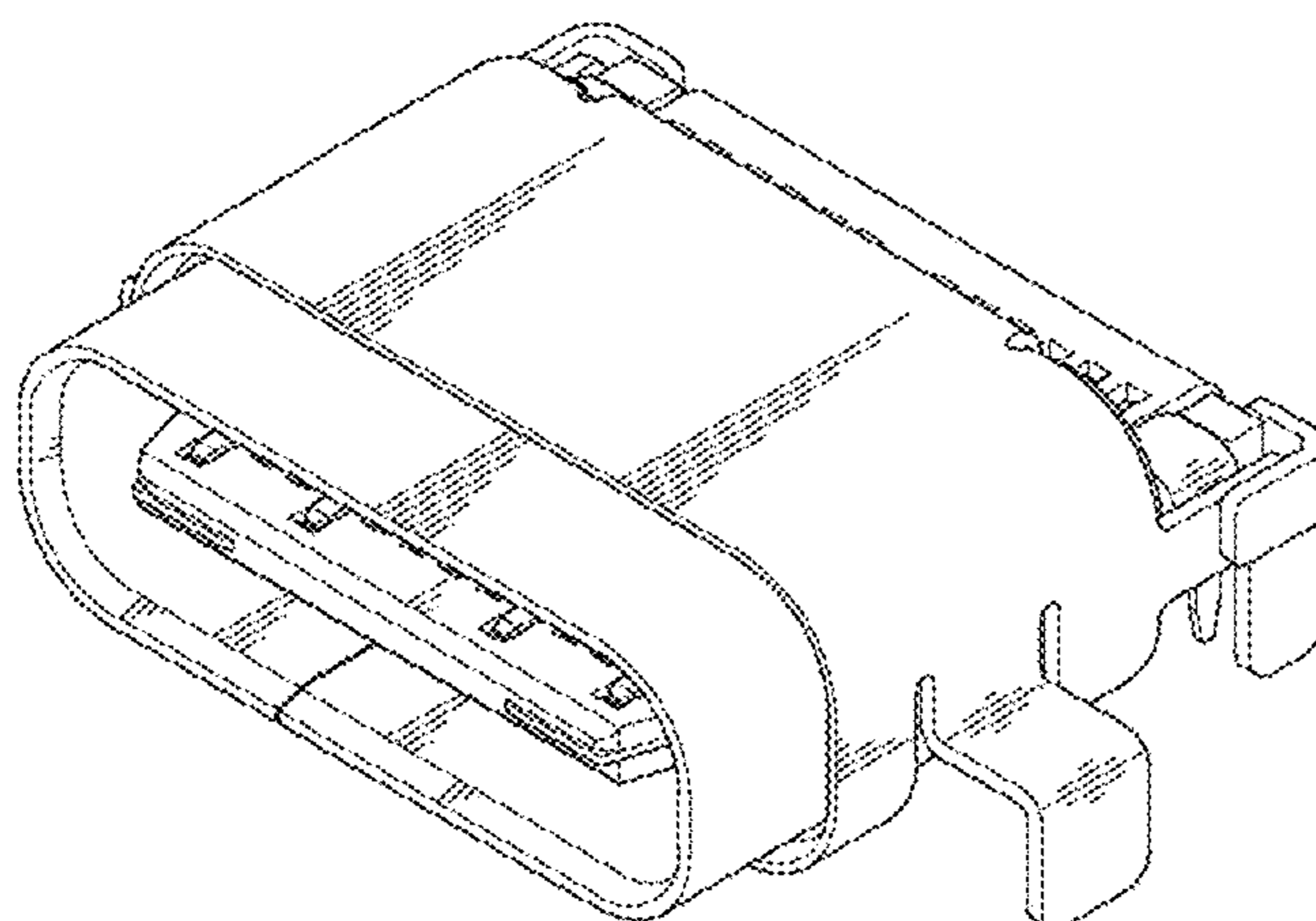
(57) **CLAIM**

The ornamental design for a electrical receptacle connector, as shown and described.

DESCRIPTION

FIG. 1 is a front, top and right side perspective view of an electrical receptacle connector showing our new design; FIG. 2 is a front elevational view thereof; FIG. 3 is a rear elevational view thereof; FIG. 4 is a left side elevational view thereof; FIG. 5 is a right side elevational view thereof; FIG. 6 is a top plan view thereof; FIG. 7 is a bottom plan view thereof; and, FIG. 8 is a rear, top and right side perspective view thereof. The broken lines in the drawing view represent unclaimed environment only, and form no part of the claimed design.

1 Claim, 8 Drawing Sheets



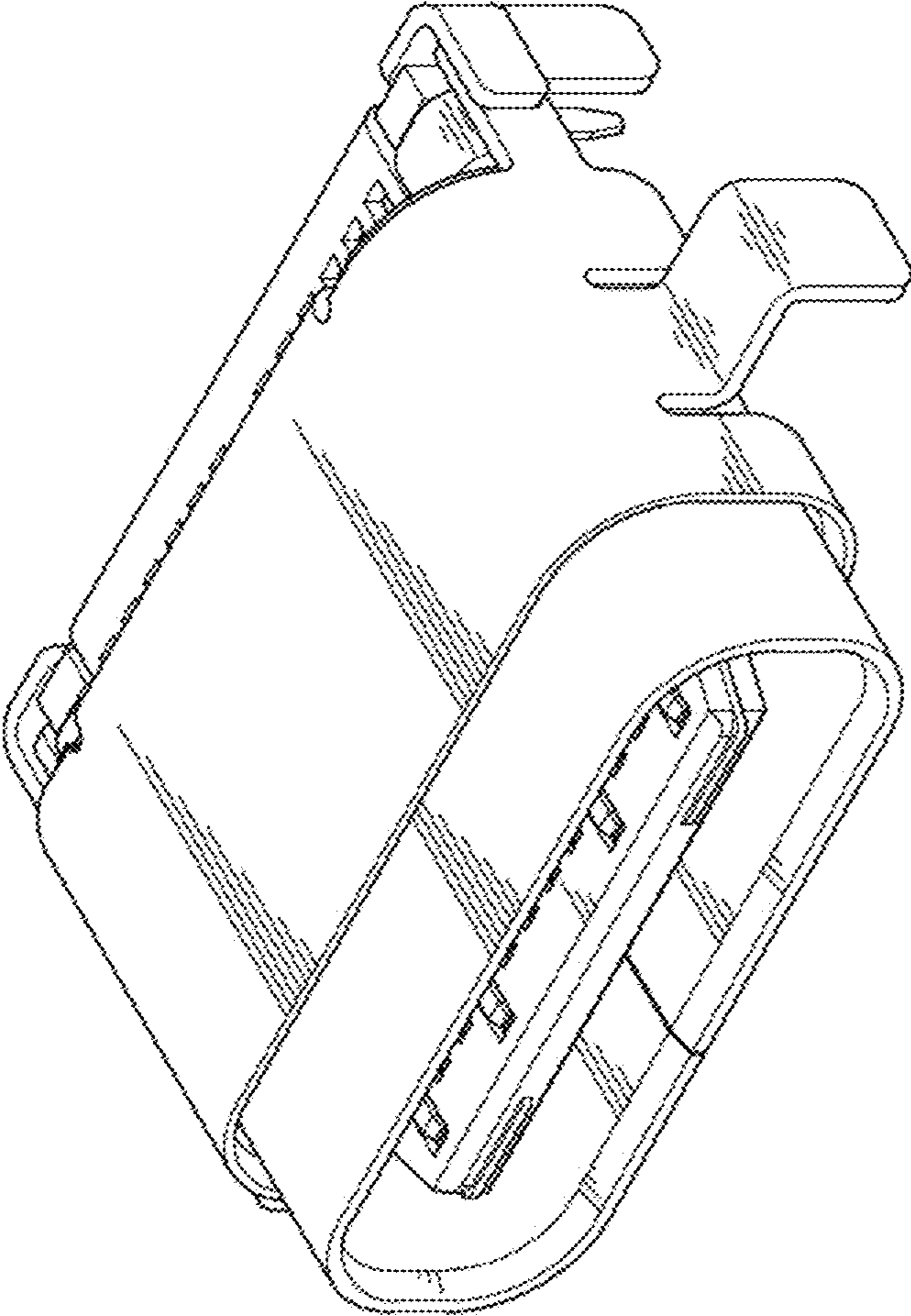


FIG. 1

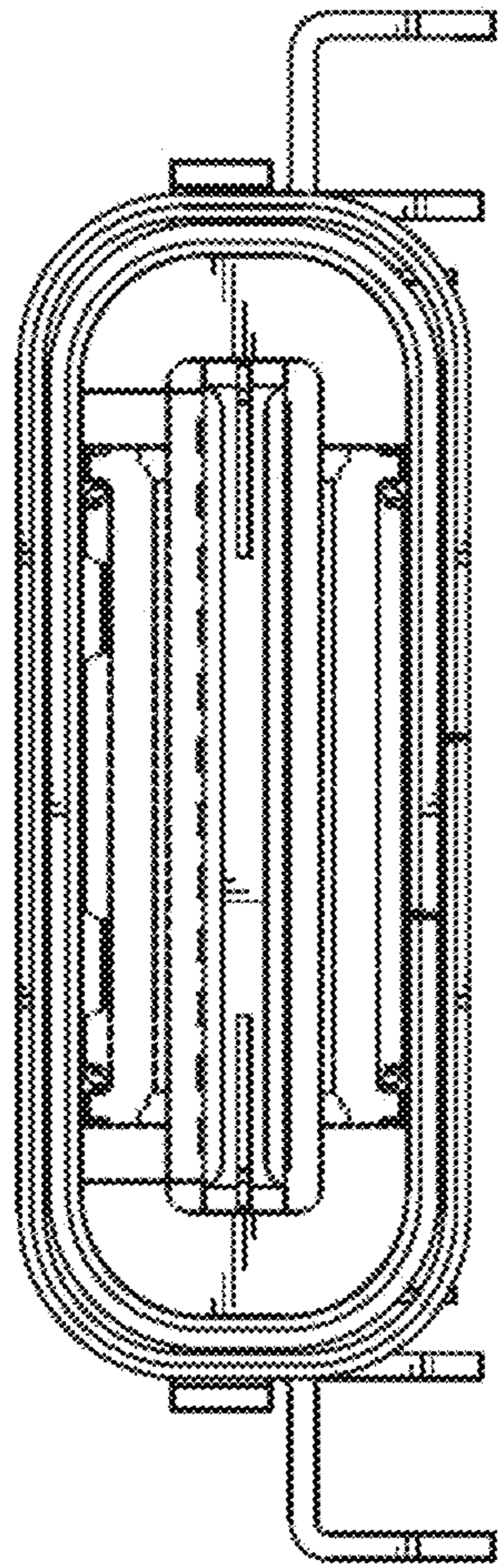


FIG. 2

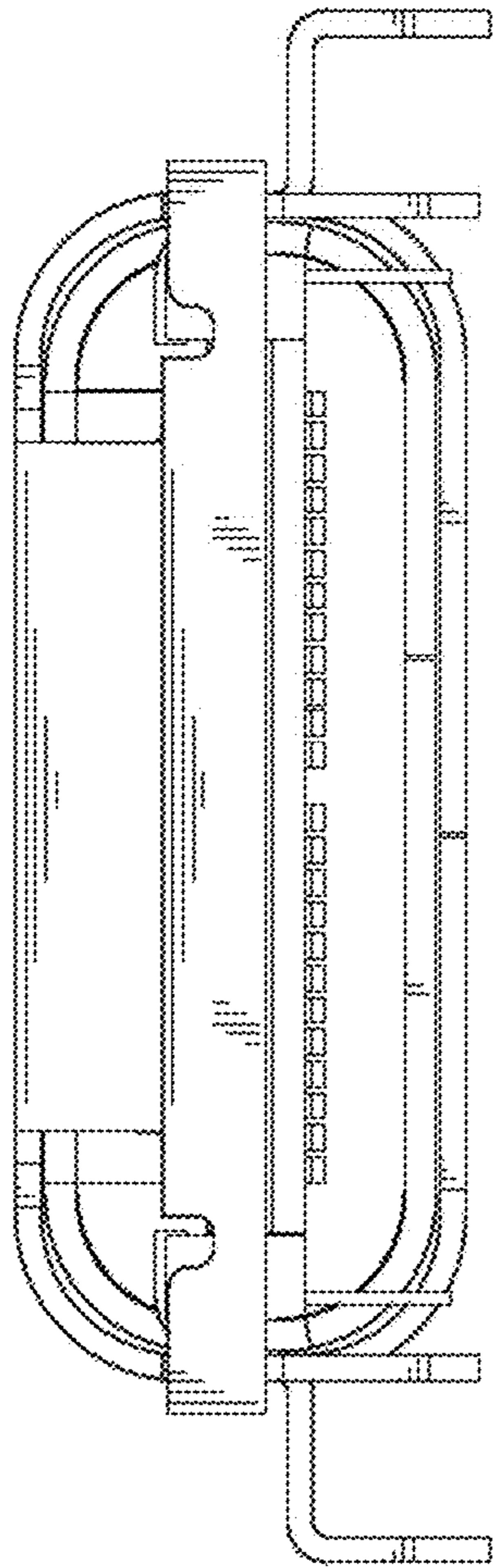


FIG. 3

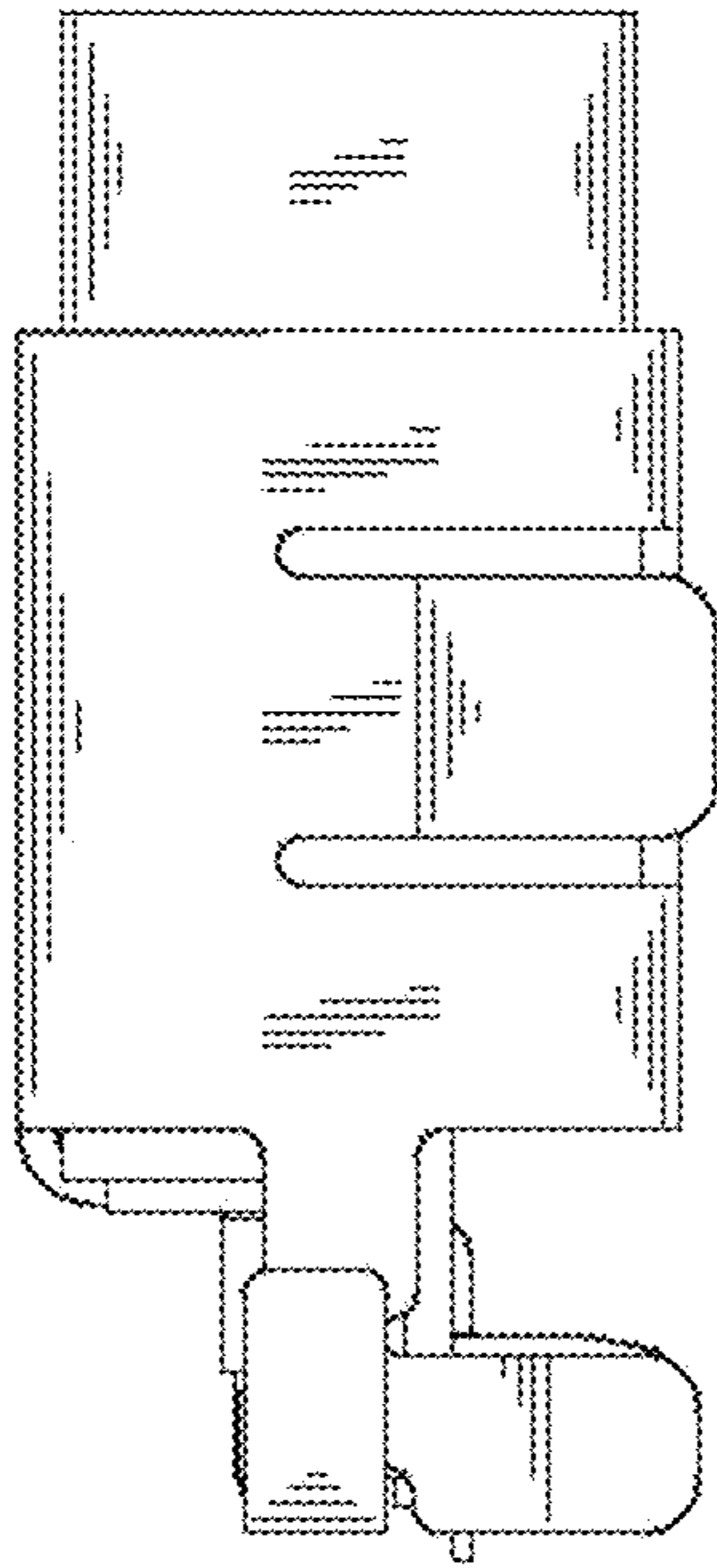


FIG. 4

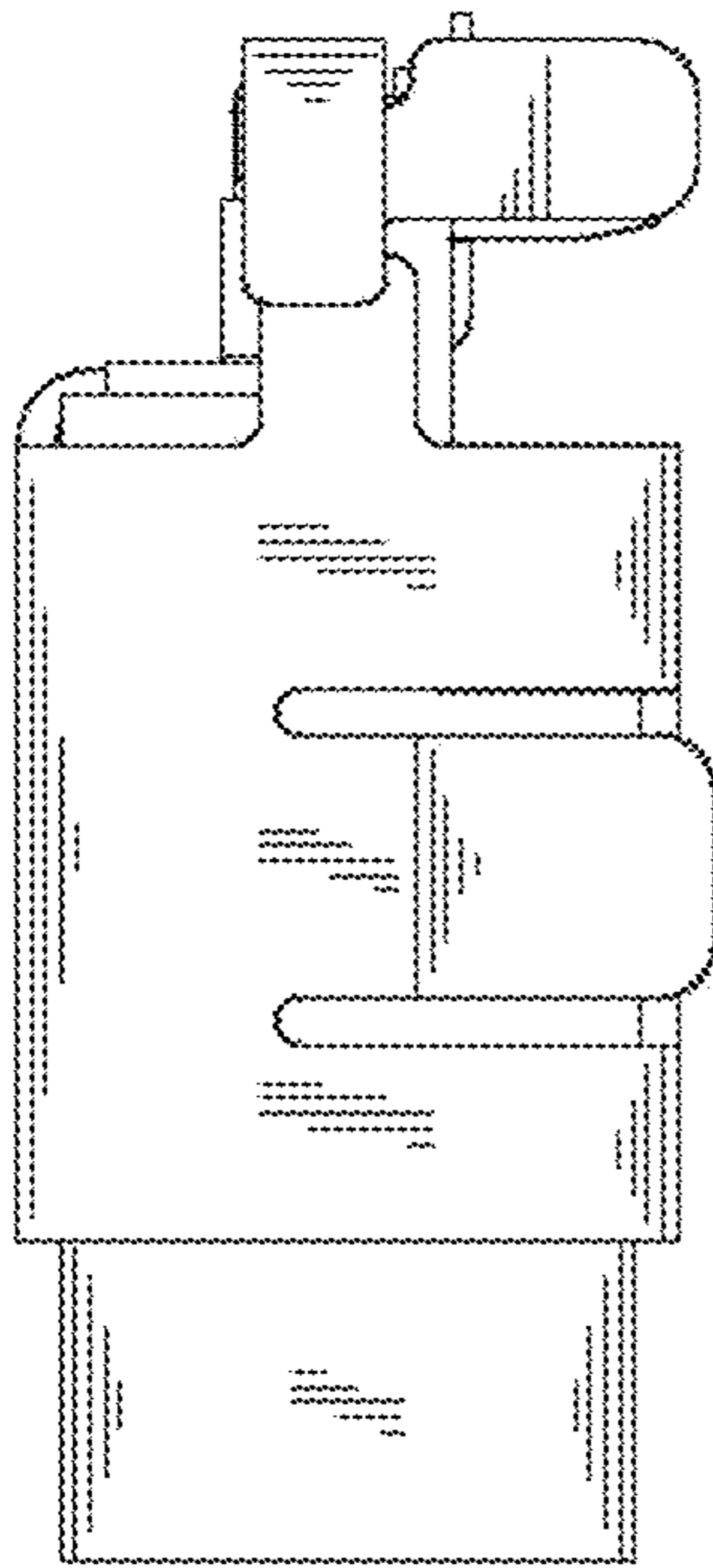


FIG. 5

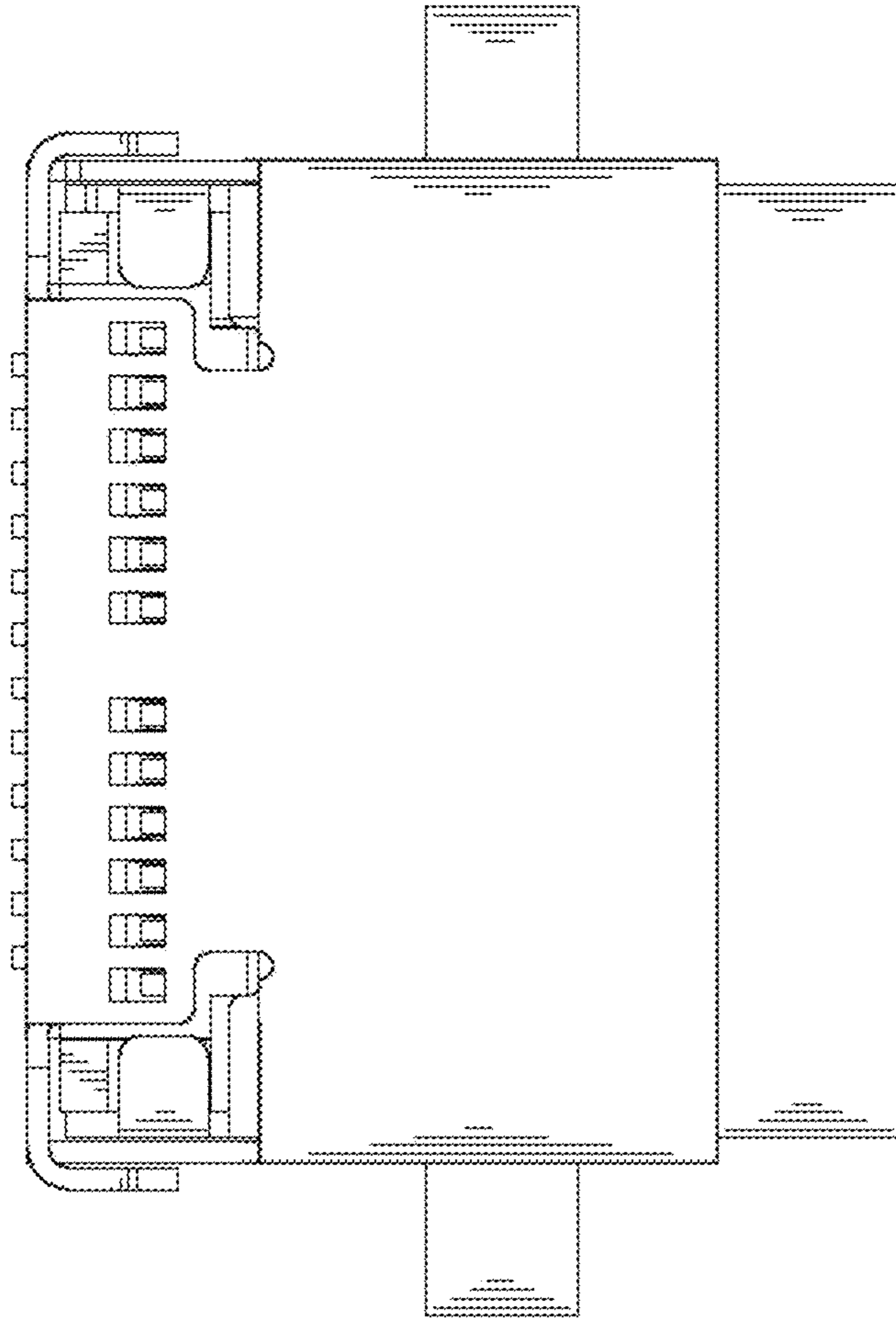


FIG. 6

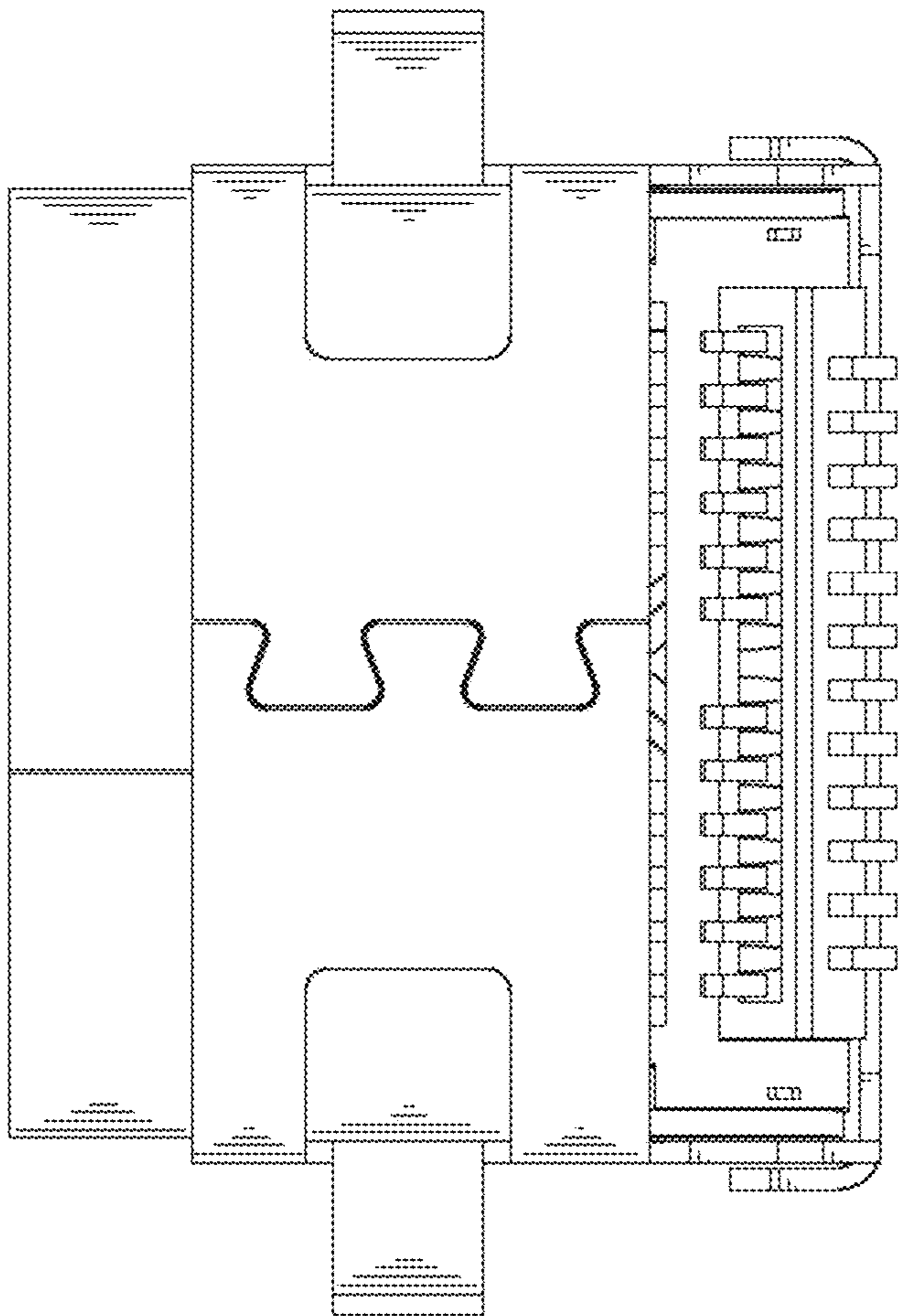


FIG. 7

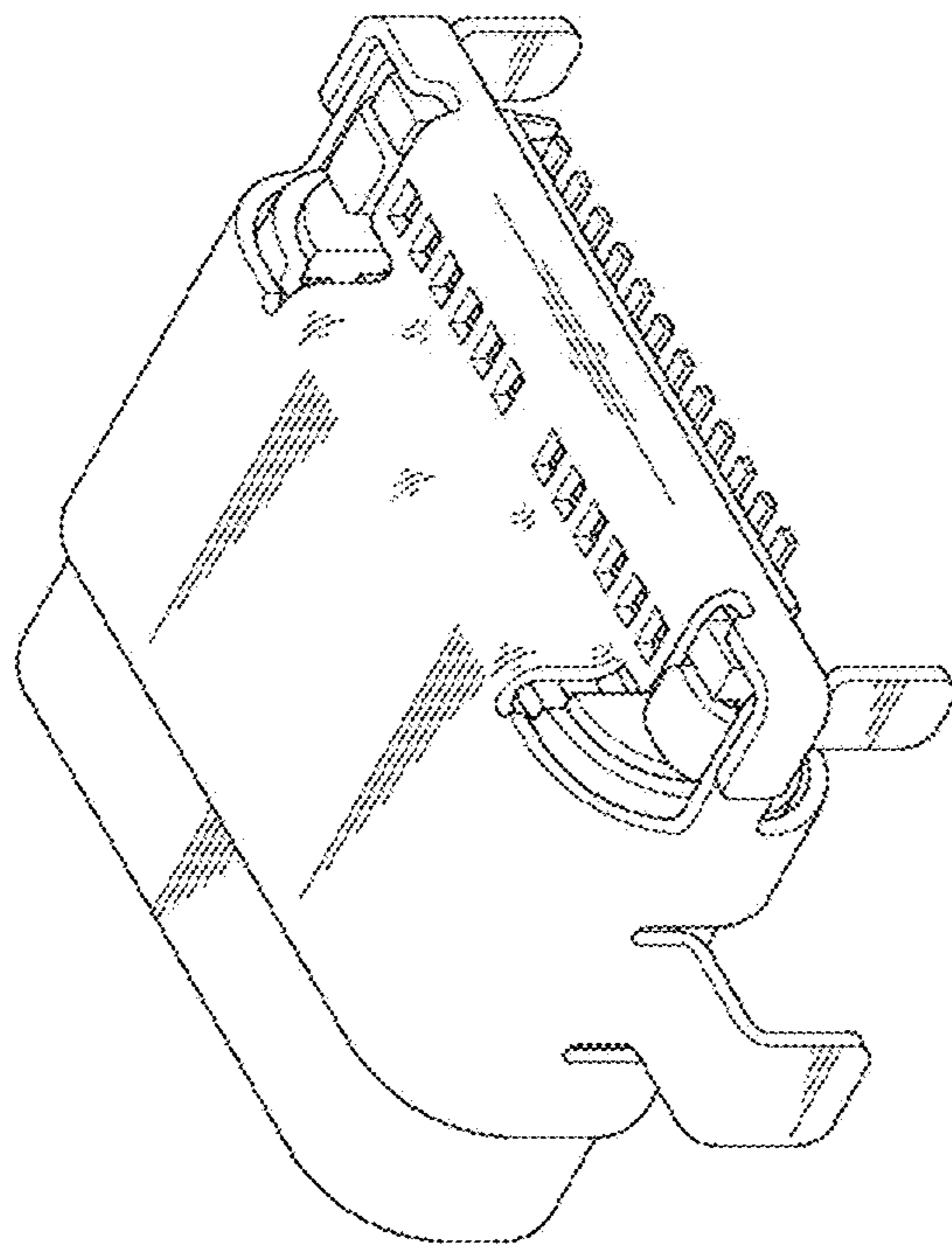


FIG. 8