



US00D797062S

(12) **United States Design Patent** (10) **Patent No.:** **US D797,062 S**
Hakkarainen et al. (45) **Date of Patent:** **** Sep. 12, 2017**

- (54) **DIMMER SWITCH** 3,746,923 A * 7/1973 Spira H01C 10/50
315/291
- (71) Applicant: **Lutron Electronics Co., Inc.,** D282,462 S * 2/1986 Hart D13/169
Coopersburg, PA (US) 4,803,380 A * 2/1989 Jacoby, Jr. H01H 9/02
174/16.3
- (72) Inventors: **Susan Hakkarainen,** Doylestown, PA 4,816,626 A * 3/1989 Valenzona H01H 15/06
(US); **Jason C. Killo,** Emmaus, PA 200/16 F
(US); **Matthew Philip McDonald,** 4,880,950 A * 11/1989 Carson H01C 10/44
Phoenixville, PA (US) 200/330
- (73) Assignee: **Lutron Electronics Co., Inc.,** 4,914,265 A * 4/1990 Mongeau H02G 3/14
Coopersburg, PA (US) 174/67
4,924,349 A * 5/1990 Buehler H02G 3/14
174/55

(Continued)

(**) Term: **15 Years**

(21) Appl. No.: **29/557,519**

(22) Filed: **Mar. 9, 2016**

(51) **LOC (10) Cl.** **13-03**

(52) **U.S. Cl.**
USPC **D13/170**

(58) **Field of Classification Search**

USPC D13/162, 169, 170, 173, 174; 174/66

CPC H01C 10/38; H01H 9/02; H01H 9/0271;

H01H 9/16; H01H 9/18; H01H 9/161;

H01H 9/181; H01H 9/182; H01H 13/04;

H01H 13/14; H01H 13/20; H01H 13/30;

H01H 19/635; H01H 23/00; H01H 23/02;

H01H 23/025; H01H 23/04; H01H

23/145; H01H 23/148; H01H 23/205;

H01H 23/30; H01H 15/02; H01H 15/04;

H01H 15/06; H01H 15/10; H05B 37/02;

H05B 37/0254; H05B 37/0272; H05B

39/02; H05B 39/04; H05B 39/085; H05B

39/086; H05B 39/088

See application file for complete search history.

(56) **References Cited**

U.S. PATENT DOCUMENTS

3,362,004 A * 1/1968 Bang H01C 1/14
338/183

D227,577 S * 7/1973 Mayo D13/170

OTHER PUBLICATIONS

Cooper Wiring Devices, Lighting Controls Line Card, 2007, 4 pages.

(Continued)

Primary Examiner — Selina Sikder

(74) *Attorney, Agent, or Firm* — Saidman DesignLaw Group, LLC

(57) **CLAIM**

The ornamental design for a dimmer switch, as shown and described.

DESCRIPTION

FIG. 1 is a front perspective view of a dimmer switch showing our new design;

FIG. 2 is a front view thereof;

FIG. 3 is a left side view thereof;

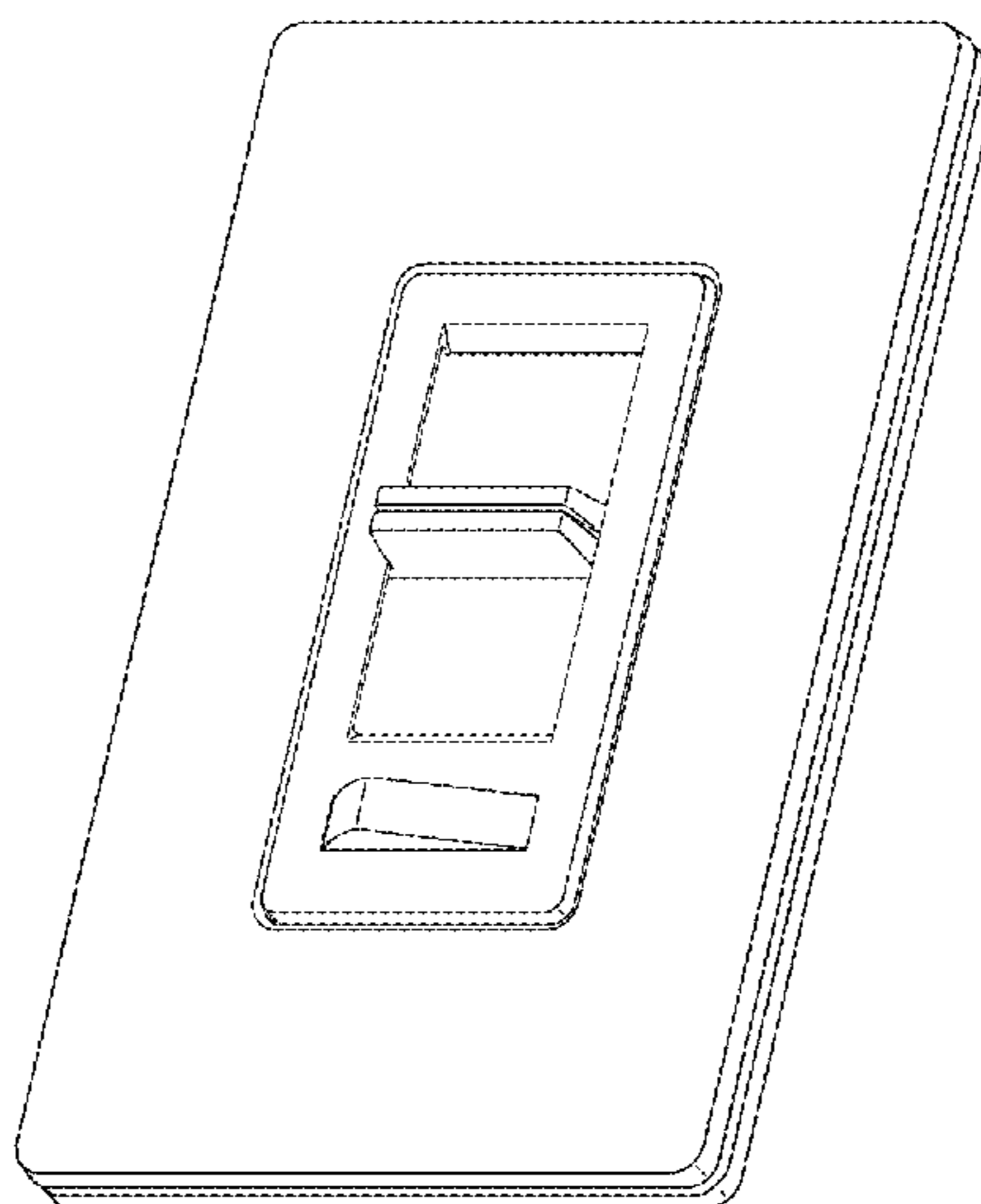
FIG. 4 is a right side view thereof;

FIG. 5 is a top view thereof; and,

FIG. 6 is a bottom view thereof.

The dashed broken lines represent structure or features which form no part of the claimed design; the broken lines themselves form no part of the claimed design.

1 Claim, 2 Drawing Sheets



(56)

References Cited

U.S. PATENT DOCUMENTS

4,939,383 A * 7/1990 Tucker H01C 10/38
200/335
4,947,054 A * 8/1990 Flowers H01H 3/0213
200/547
4,972,045 A * 11/1990 Primeau H01H 23/148
174/66
D316,250 S * 4/1991 Mongeau D13/170
D335,282 S 5/1993 Jurell et al.
D339,326 S * 9/1993 Mayo D13/170
5,924,552 A * 7/1999 Yu H01H 9/02
200/293
D457,145 S * 5/2002 Pagano D13/169
D539,235 S 3/2007 Mayo et al.
D541,222 S 4/2007 Mayo et al.
7,416,310 B1 * 8/2008 Savicki, Jr. H01H 3/0213
200/317
D597,495 S 8/2009 Samuels et al.
D597,496 S 8/2009 Samuels et al.
7,579,566 B2 * 8/2009 Sloan H01C 10/30
200/302.1
D600,656 S * 9/2009 Altonen D13/170
D616,838 S * 6/2010 Samuels D13/170
D630,594 S 1/2011 Samuels et al.
D630,595 S 1/2011 Samuels et al.

D645,828 S * 9/2011 Su D13/174
2007/0272535 A1 * 11/2007 Sloan H01C 10/30
200/550
2009/0211889 A1 * 8/2009 Ito G05G 1/025
200/335
2016/0233785 A1 * 8/2016 Newman, Jr. H02M 1/081

OTHER PUBLICATIONS

Cooper Wiring Devices, Full Slide Decorator Dimmers & Fan Speed Controls, 2007, 2 pages.
Cooper Wiring Devices, Decorator Slide Dimmers & Fan Speed Controls, 2007, 2 pages.
Leviton, Lighting and Fan Speed Controls Product Guide, 2006, 16 pages.
Leviton, The Largest Selection of Wiring Devices for Construction and Maintenance, 2003, 6 pages.
Lutron Electronics Co., Inc., Lumea C•L Dimmer Specification Submittal, Dec. 12, 2012, 5 pages.
U.S. Appl. No. 29/557,520, filed Mar. 9, 2016 (unpublished).
U.S. Appl. No. 29/557,521, filed Mar. 9, 2016 (unpublished).
U.S. Appl. No. 29/557,522, filed Mar. 9, 2016 (unpublished).
U.S. Appl. No. 29/557,523, filed Mar. 9, 2016 (unpublished).
U.S. Appl. No. 29/557,527, filed Mar. 9, 2016 (unpublished).
U.S. Appl. No. 29/557,528, filed Mar. 9, 2016 (unpublished).

* cited by examiner

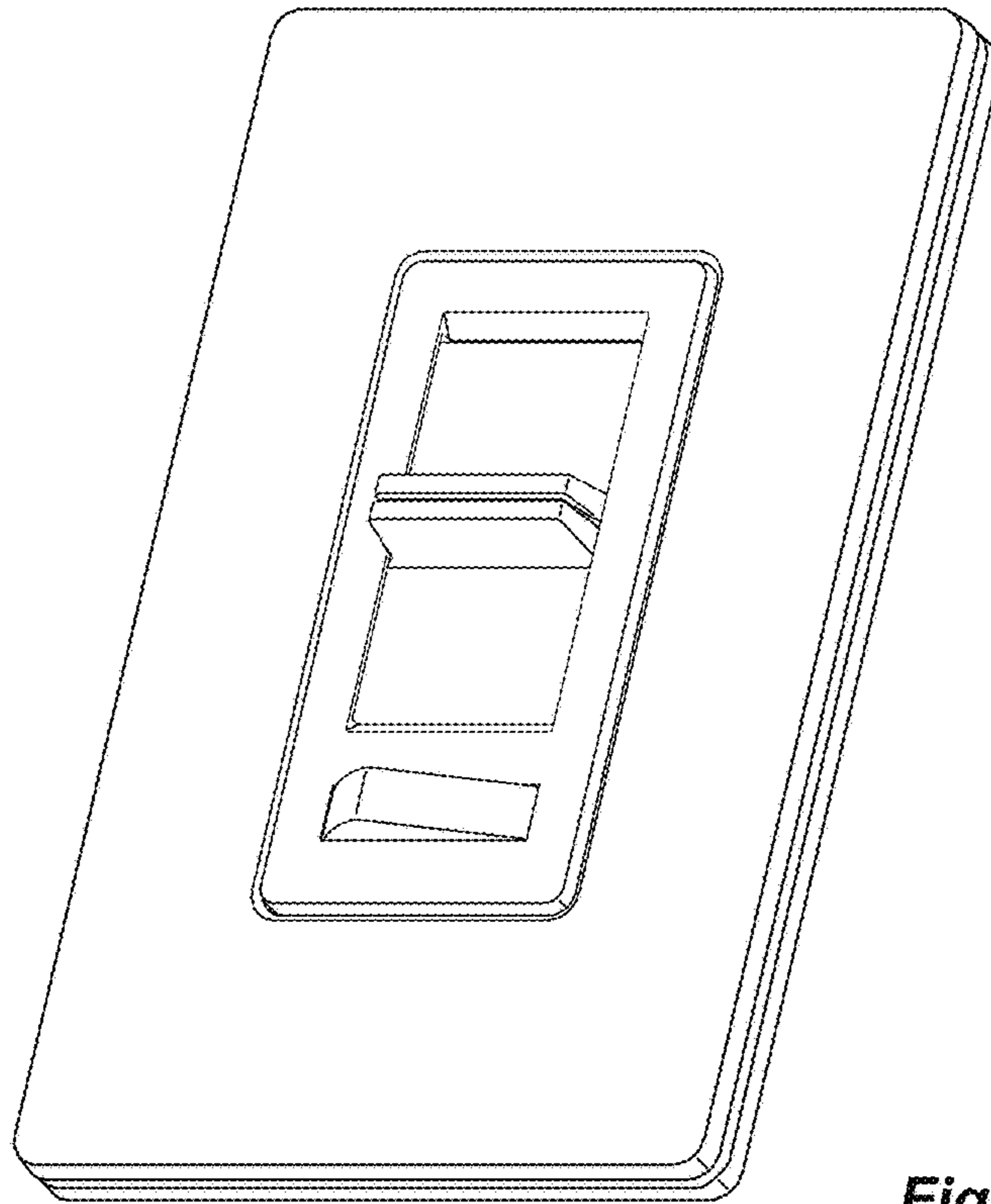


Fig. 1

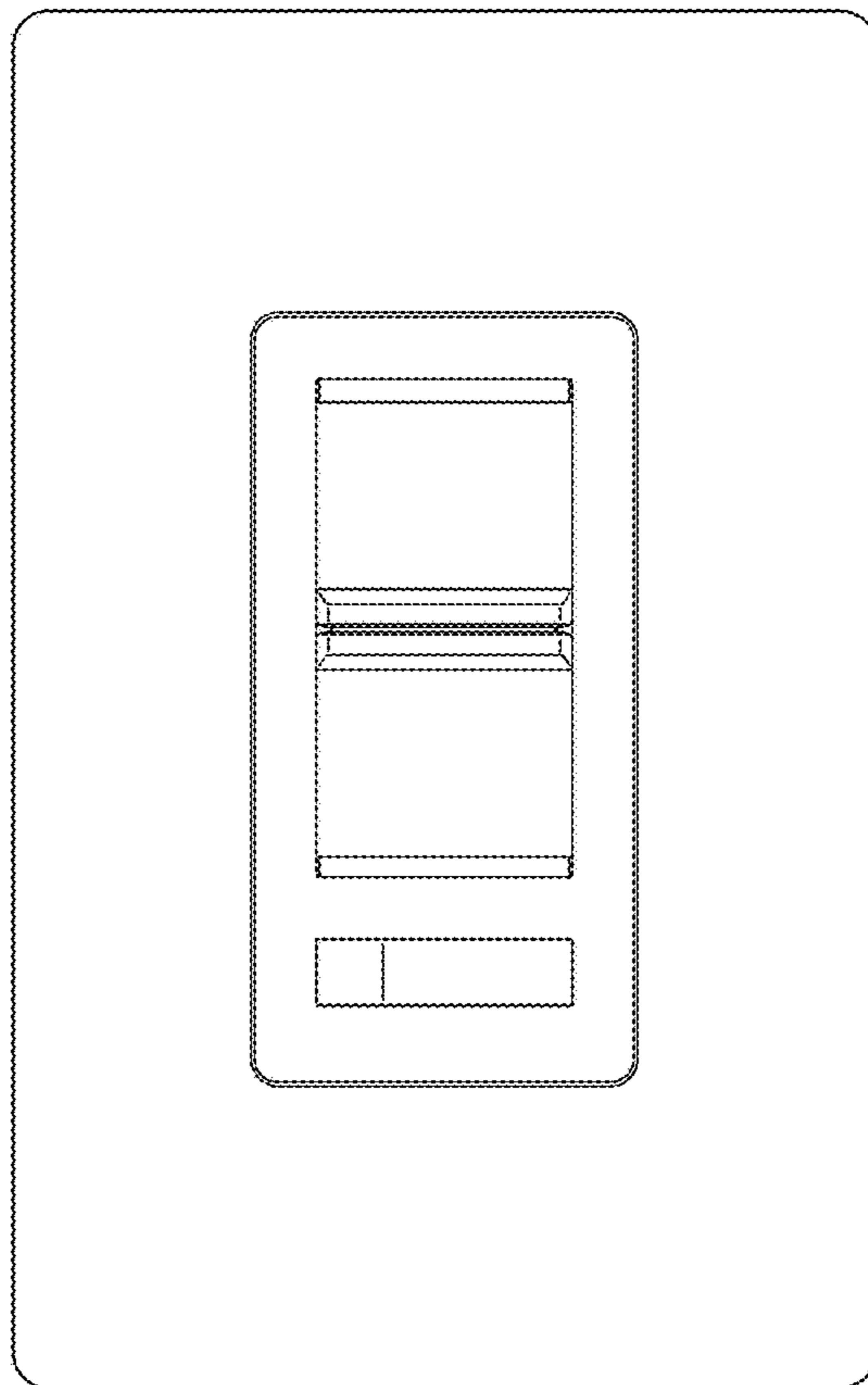


Fig. 2

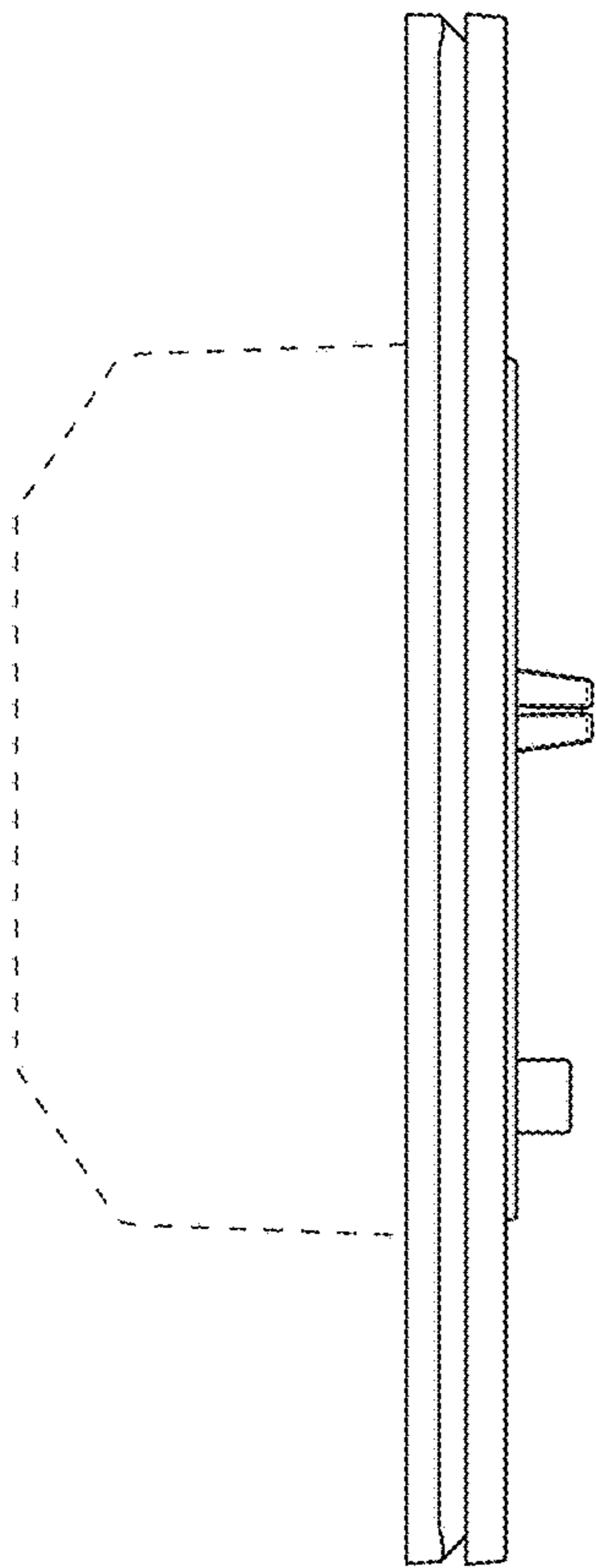


Fig. 3

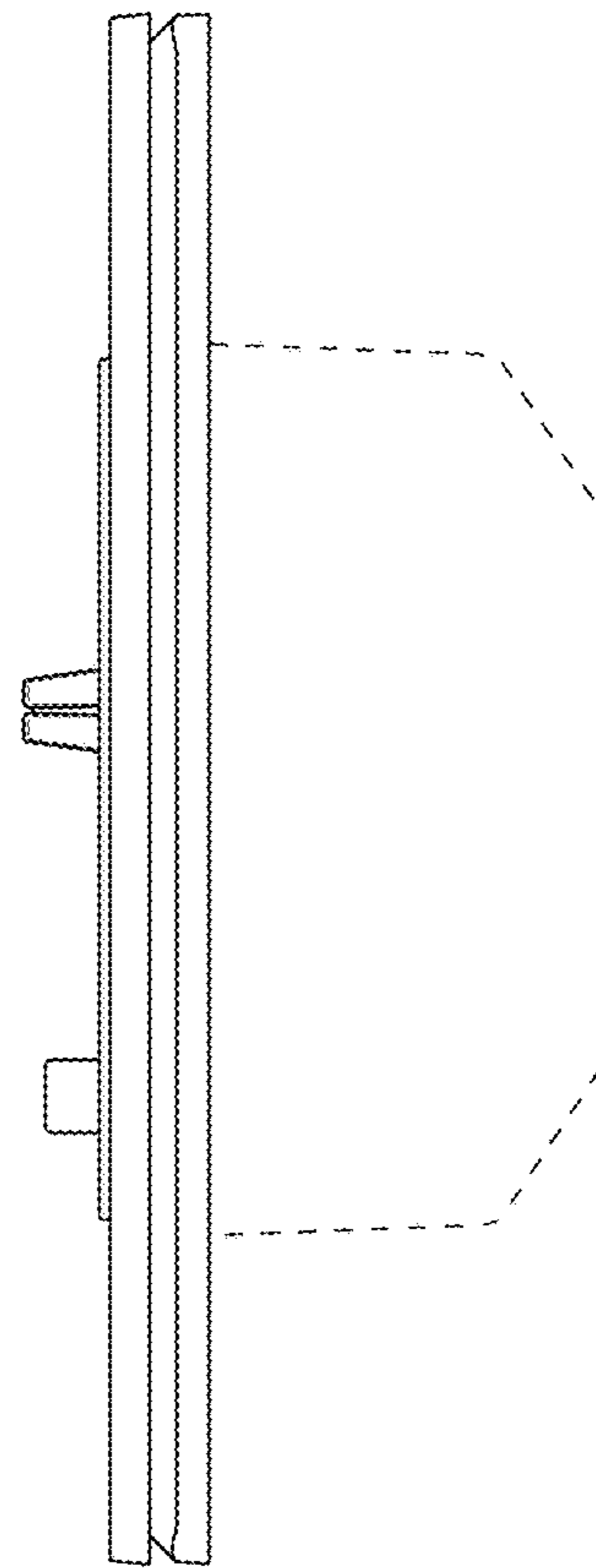


Fig. 4

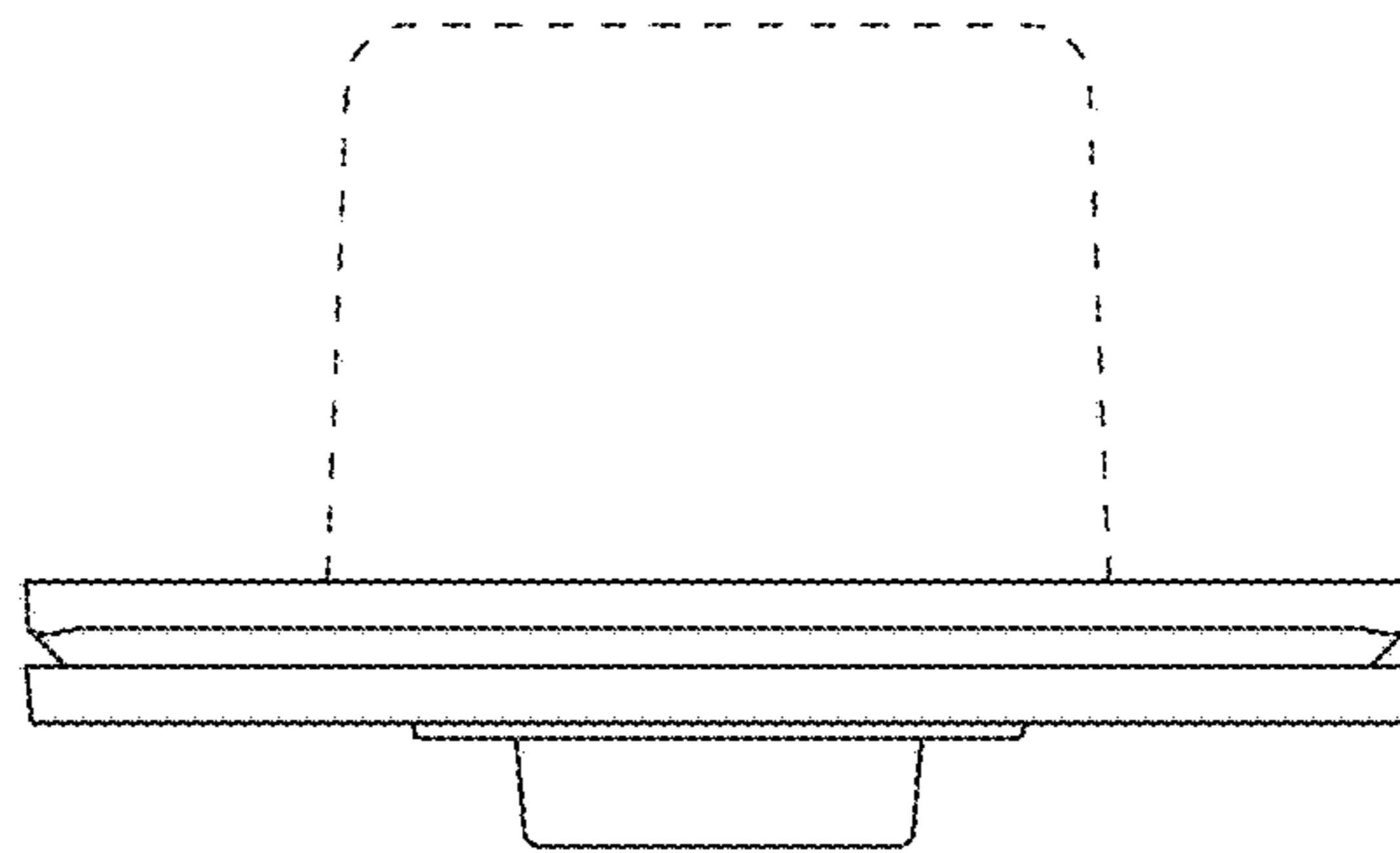


Fig. 5

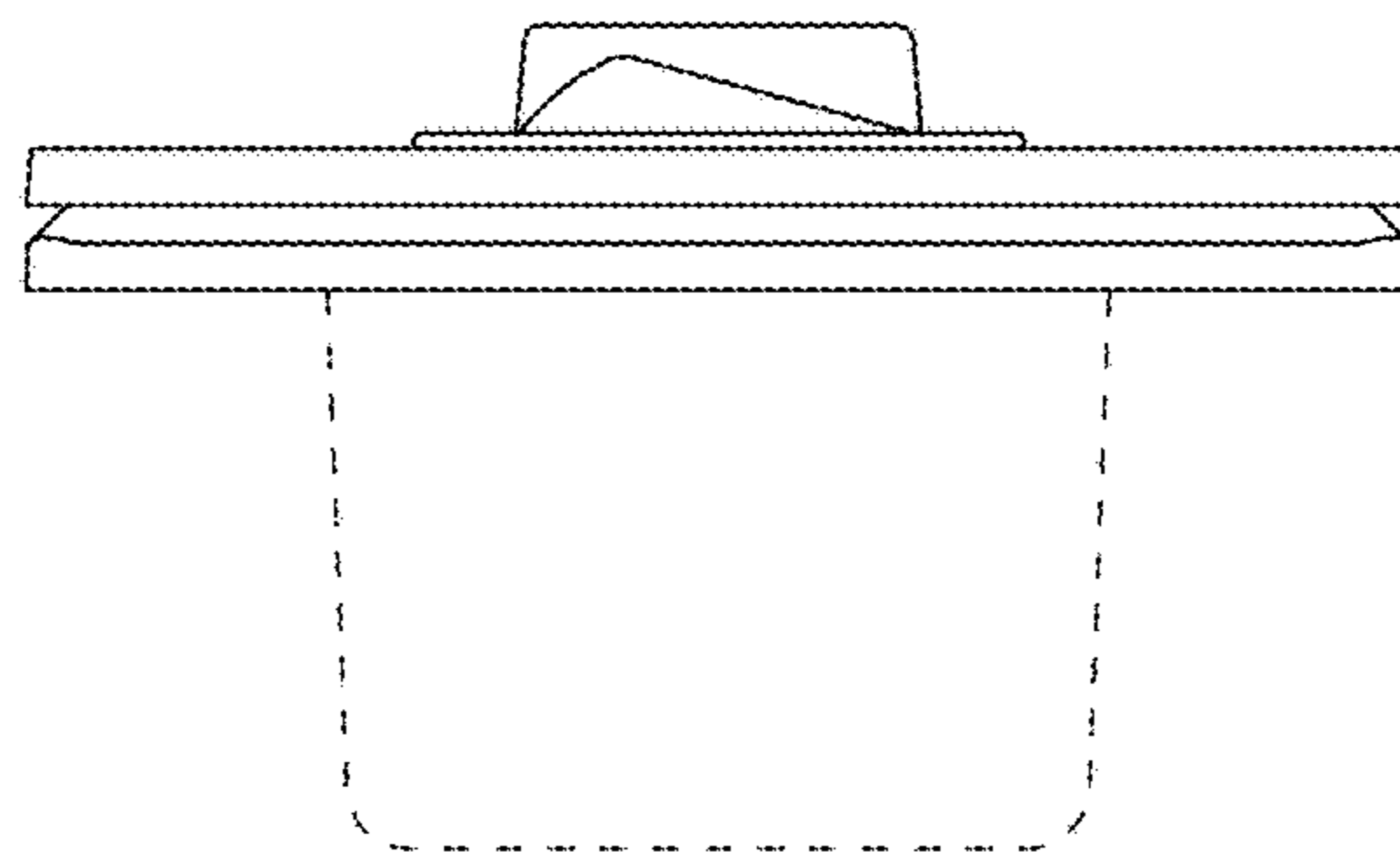


Fig. 6