



US00D797061S

(12) **United States Design Patent**  
**Lacey**

(10) **Patent No.:** **US D797,061 S**

(45) **Date of Patent:** **\*\* Sep. 12, 2017**

(54) **PADDLE SWITCH WITH EXTERNALLY FACING ELECTRICAL CONNECTOR PORT OR PORTS**

(71) Applicant: **Eaton Corporation**, Cleveland, OH (US)

(72) Inventor: **Darron Kirby Lacey**, Peachtree City, GA (US)

(73) Assignee: **Eaton Corporation**, Cleveland, OH (US)

(\*\*) Term: **15 Years**

(21) Appl. No.: **29/538,176**

(22) Filed: **Sep. 1, 2015**

(51) **LOC (10) Cl.** ..... **13-03**

(52) **U.S. Cl.**

USPC ..... **D13/169**

(58) **Field of Classification Search**

USPC ..... D13/162, 164, 169, 171, 177, 137.3, D13/139.1, 174

(Continued)

(56) **References Cited**

**U.S. PATENT DOCUMENTS**

D204,941 S \* 5/1966 Ramsing et al. .... D13/169  
D390,826 S \* 2/1998 Bates ..... D10/40

(Continued)

**OTHER PUBLICATIONS**

Amazon.com, RCA WP2UWR USB Wall Plate, RCA, product listing for sale, date unknown but prior to filing date of the present application, 1 page.

(Continued)

*Primary Examiner* — Selina Sikder

(74) *Attorney, Agent, or Firm* — Myers Bigel, P.A.

(57) **CLAIM**

The ornamental design for a paddle switch with externally facing electrical connector port or ports, as shown and described.

**DESCRIPTION**

FIG. 1 is a front environmental view of a first embodiment of a paddle switch with externally facing electrical connector ports (i.e., USB ports) showing my design;

FIG. 2 is a side perspective view thereof;

FIG. 3 is a front view thereof;

FIG. 4 is a side view thereof;

FIG. 5 is an opposing side view thereof;

FIG. 6 is an end view thereof;

FIG. 7 is an opposing end view thereof;

FIG. 8 is a front environmental view of a second embodiment of a paddle switch with externally facing electrical connector ports (i.e., USB ports) showing my design;

FIG. 9 is a side perspective view thereof;

FIG. 10 is a front view thereof;

FIG. 11 is a side view thereof;

FIG. 12 is an opposing side view thereof;

FIG. 13 is an end view thereof;

FIG. 14 is an opposing end view thereof;

FIG. 15 is a front environmental view of a third embodiment of a paddle switch with an externally facing electrical connector port (i.e., USB port) showing my design;

FIG. 16 is a side perspective view thereof;

FIG. 17 is a front view thereof;

FIG. 18 is a side view thereof;

FIG. 19 is an opposing side view thereof;

FIG. 20 is an end view thereof;

FIG. 21 is an opposing end view thereof;

FIG. 22 is a front environmental view of a fourth embodiment of a paddle switch with an externally facing electrical connector port (i.e., USB port) showing my design;

FIG. 23 is a side perspective view thereof;

FIG. 24 is a front view thereof;

FIG. 25 is a side view thereof;

FIG. 26 is an opposing side view thereof;

FIG. 27 is an end view thereof;

FIG. 28 is an opposing end view thereof;

(Continued)

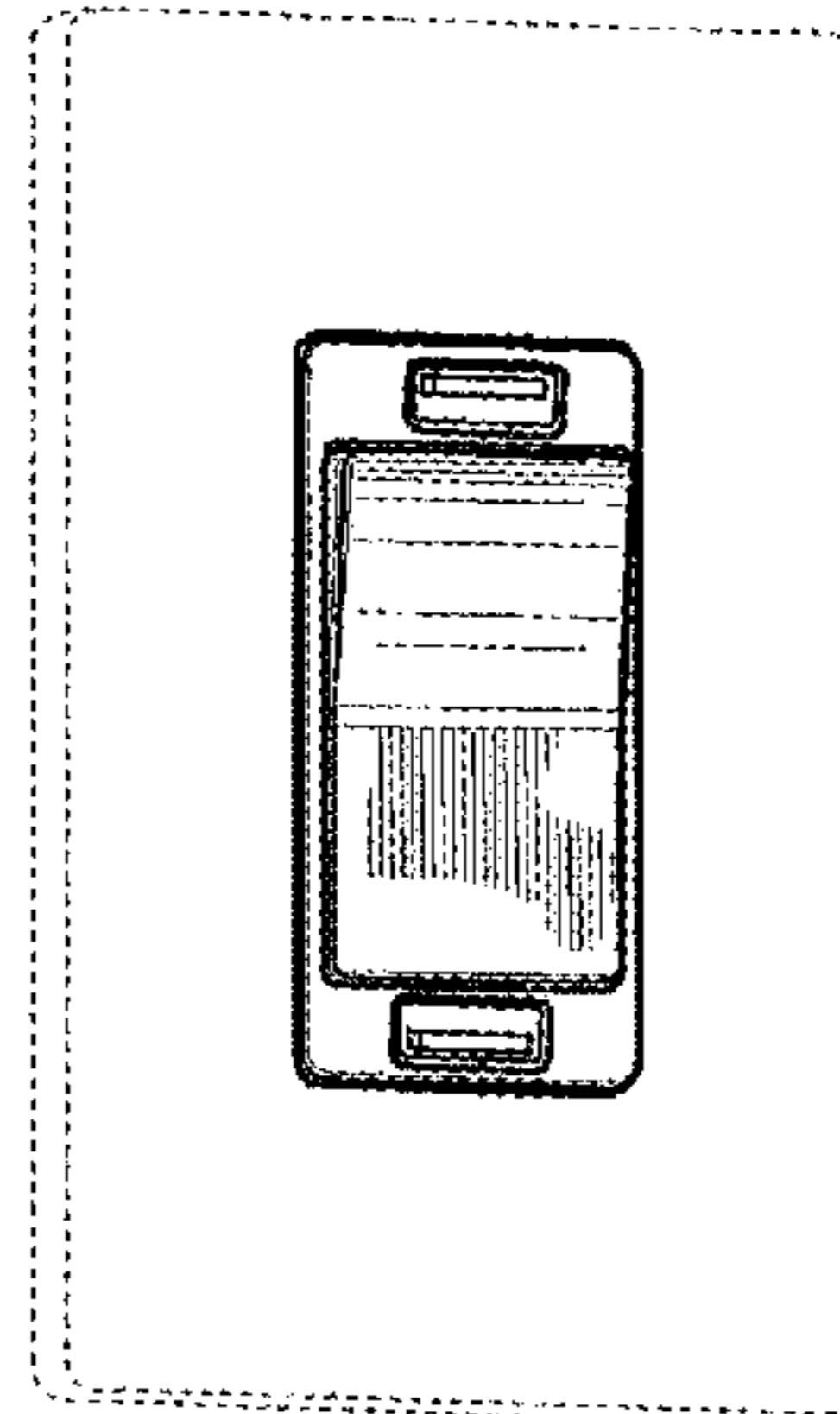
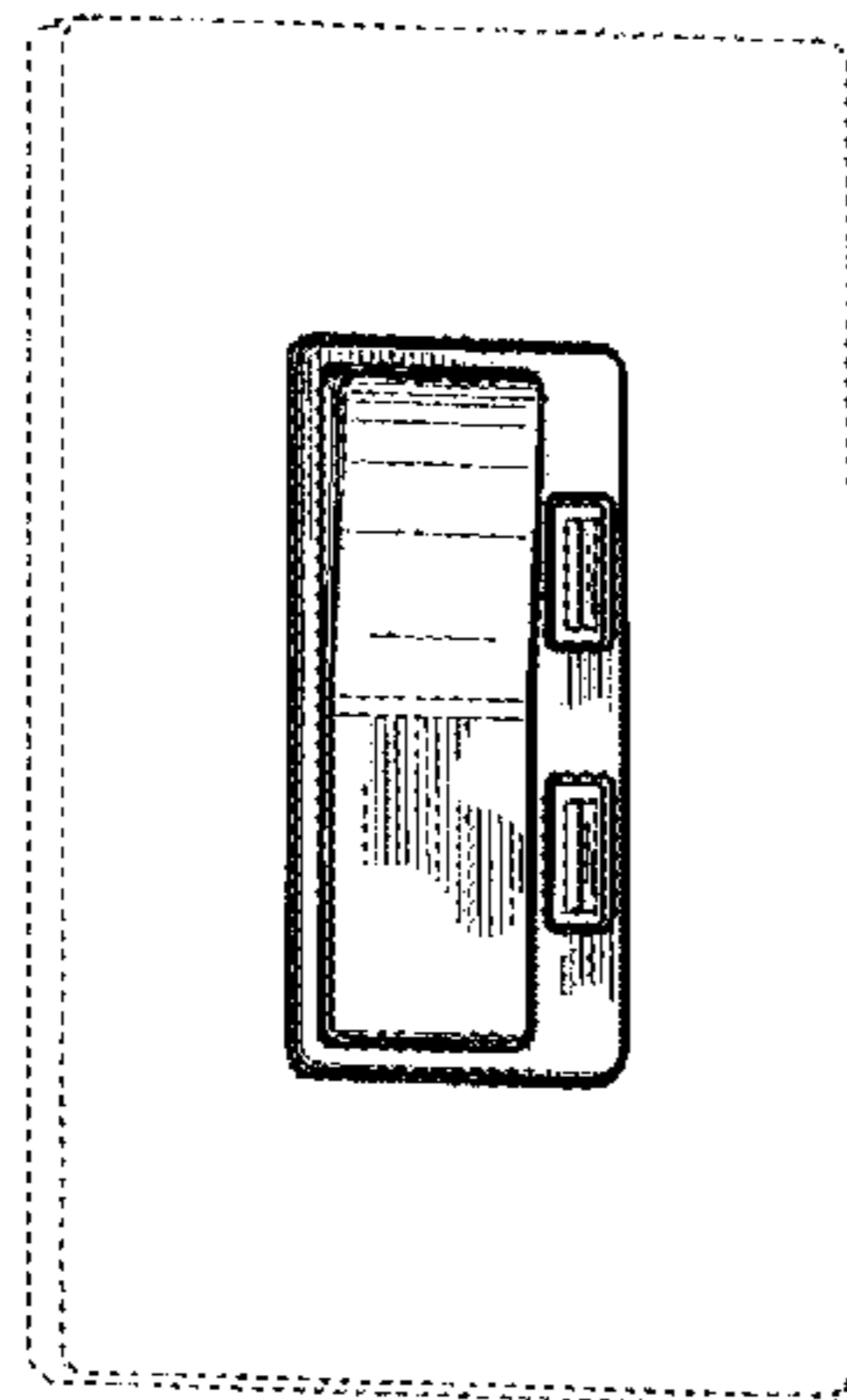


FIG. 29 is a front environmental view of a fifth embodiment of a paddle switch with an externally facing electrical connector ports (i.e., USB ports) showing my design; FIG. 30 is a side perspective view thereof; FIG. 31 is a front view thereof; FIG. 32 is a side view thereof; FIG. 33 is an opposing side view thereof; FIG. 34 is an end view thereof; and, FIG. 35 is an opposing end view thereof. The broken lines shown herein are for illustrative purposes only and form no part of the claimed design.

**1 Claim, 15 Drawing Sheets**

(58) **Field of Classification Search**

CPC ..... H01H 9/02; H01H 9/0271; H01H 9/16; H01H 9/18; H01H 9/161; H01H 9/181; H01H 9/182; H01H 13/04; H01H 13/14; H01H 13/20; H01H 13/30; H01H 19/635; H01H 23/00; H01H 23/02; H01H 23/025; H01H 23/04; H01H 23/145; H01H 23/148; H01H 23/205; H01H 23/30; H01H 51/088; H01H 83/02; H01H 83/04; H01H 83/144; H05B 33/0803; H05B 33/0863; H05B 37/02; H05B 37/0254; H05B 37/0272; H05B 39/02; H05B 39/04; H05B 39/085; H05B 39/086; H05B 39/088; H01R 13/713; H01R 13/7135

See application file for complete search history.

(56) **References Cited**

U.S. PATENT DOCUMENTS

5,895,888 A \* 4/1999 Arenas ..... H02G 3/14  
174/66  
6,005,308 A \* 12/1999 Bryde ..... H05B 39/00  
200/335  
D473,528 S \* 4/2003 Wengrower ..... D13/169

D534,875 S \* 1/2007 Wu ..... D13/169  
D583,335 S \* 12/2008 Ni ..... D13/169  
D598,859 S 8/2009 Vaccaro et al.  
7,667,155 B1 \* 2/2010 Ni ..... H01H 23/145  
200/331  
D649,122 S \* 11/2011 Jacoby ..... D13/162  
8,459,812 B2 \* 6/2013 Wu ..... H01H 23/025  
200/335  
8,658,893 B1 \* 2/2014 Shotey ..... H01H 11/0006  
174/53  
8,853,893 B2 \* 10/2014 Savicki, Jr. .... H05B 33/0815  
200/339  
D719,511 S \* 12/2014 Dodal ..... D13/139.1  
D732,485 S \* 6/2015 Junko ..... D13/169  
9,083,180 B2 \* 7/2015 Dodal ..... H02H 3/16  
D740,766 S \* 10/2015 Falkenberg ..... D13/169  
9,455,543 B2 9/2016 Liao  
2006/0065510 A1 \* 3/2006 Kiko ..... H01H 9/161  
200/1 R  
2008/0017398 A1 \* 1/2008 Alderson ..... H02G 3/14  
174/66  
2012/0068894 A1 \* 3/2012 Feldstein ..... H01Q 1/007  
343/702  
2014/0077707 A1 \* 3/2014 Restrepo ..... H05B 37/0272  
315/158  
2016/0149354 A1 \* 5/2016 Mortun ..... H01R 13/7135  
439/620.21  
2017/0063008 A1 \* 3/2017 Goyal ..... H01R 27/02

OTHER PUBLICATIONS

Arrow/Hart, Self-test GFCI receptacles, Eaton product brochure, date unknown but prior to the filing date of the present application, 2 page.

Plug with USB port, product example, <http://safe4work.org/plug-with-usb-port>, date unknown but prior to the filing date of the present application, printed from the internet Aug. 21, 2015, 1 page.  
Primus Cable, In-Wall Charging Wall Plate, 1x Power Outlet & 2x USB Charging Ports—White, product listing for sale, <http://www.primuscable.com/> . . . , date unknown but prior to the filing date of the present application, printed from the Internet Jul. 8, 2015, 4 pages.

Various makers, USB wall charger product examples, date unknown but prior to the filing date of the present application, 1 page.

\* cited by examiner

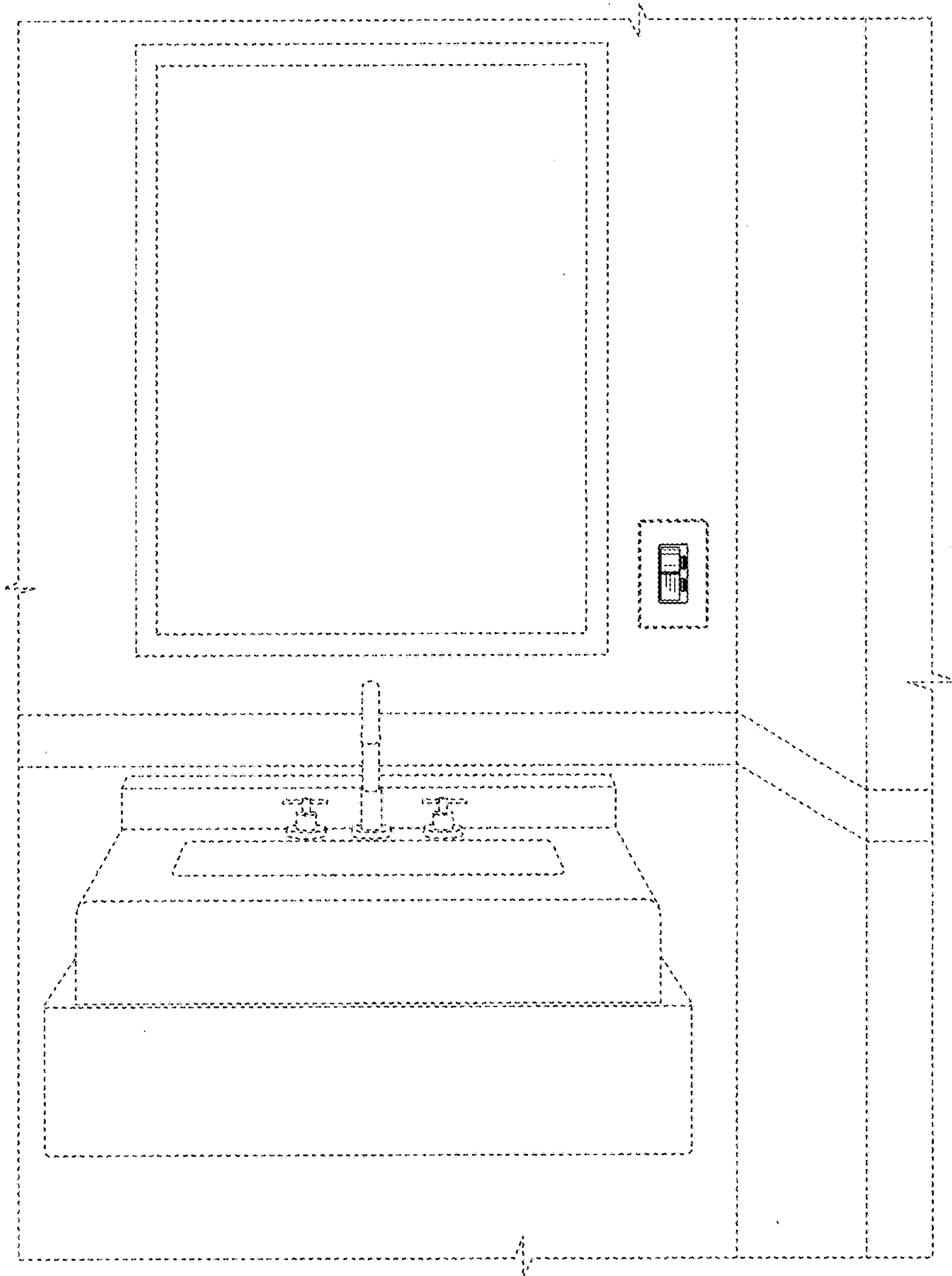


Figure 1



Figure 2

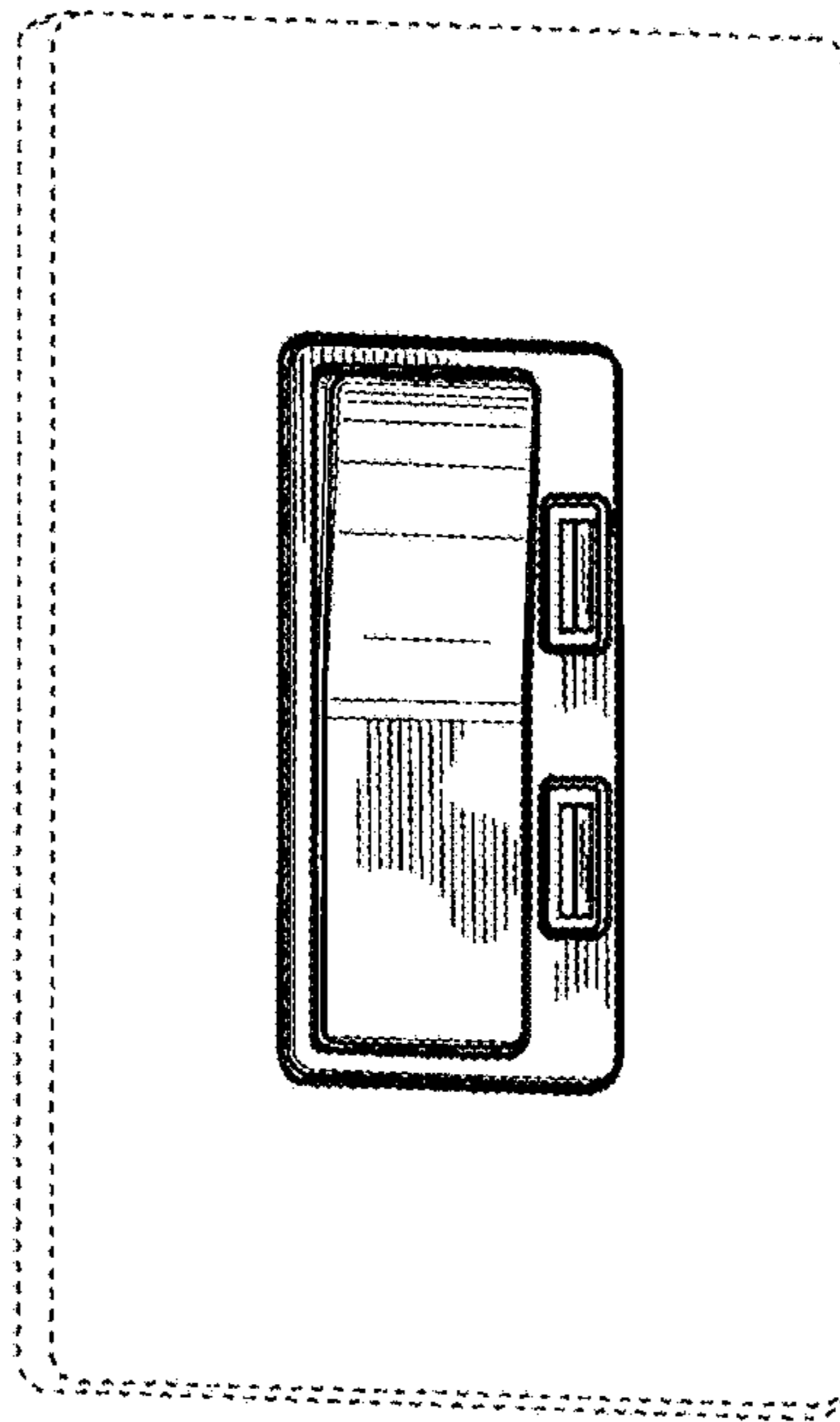
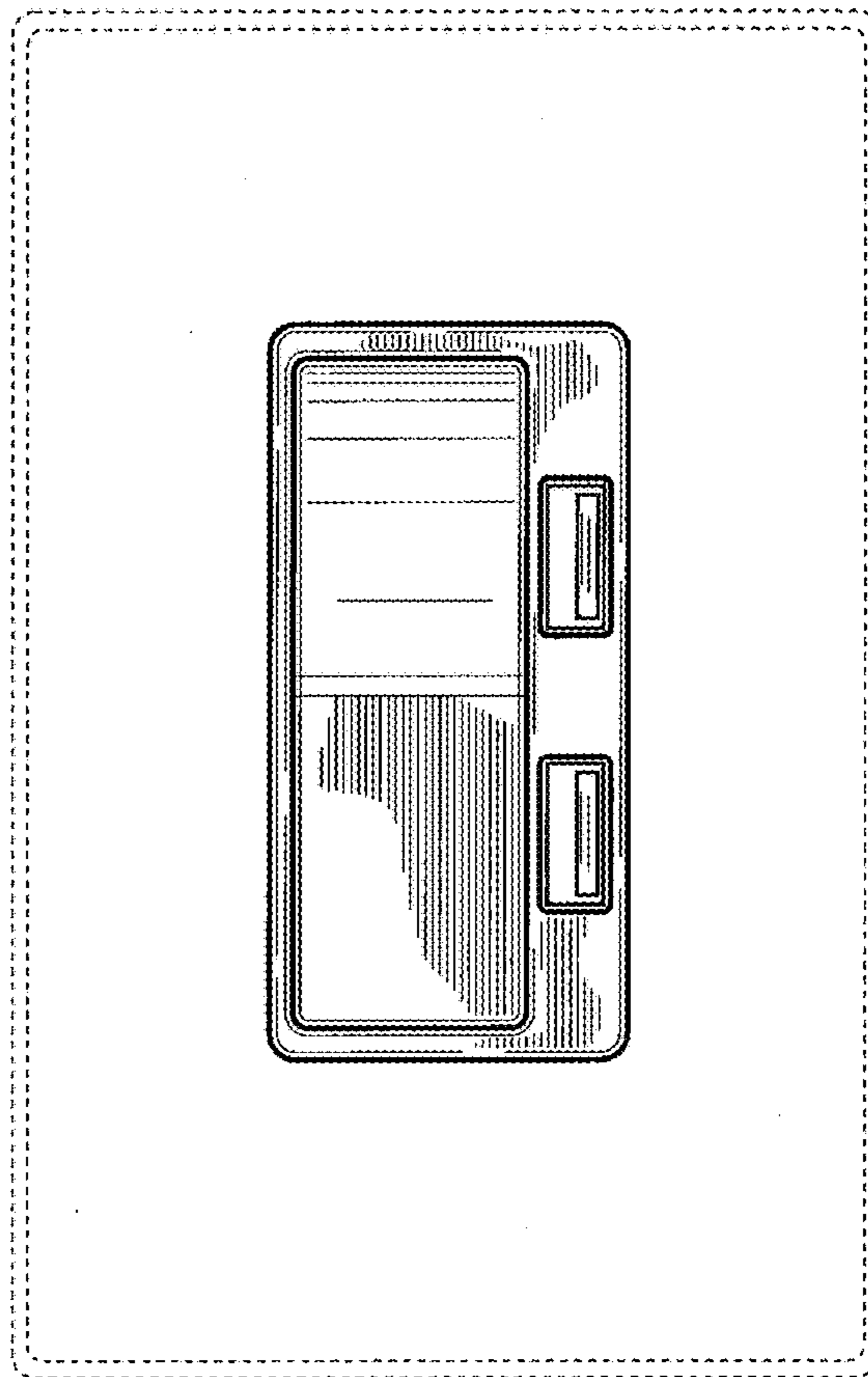


Figure 3



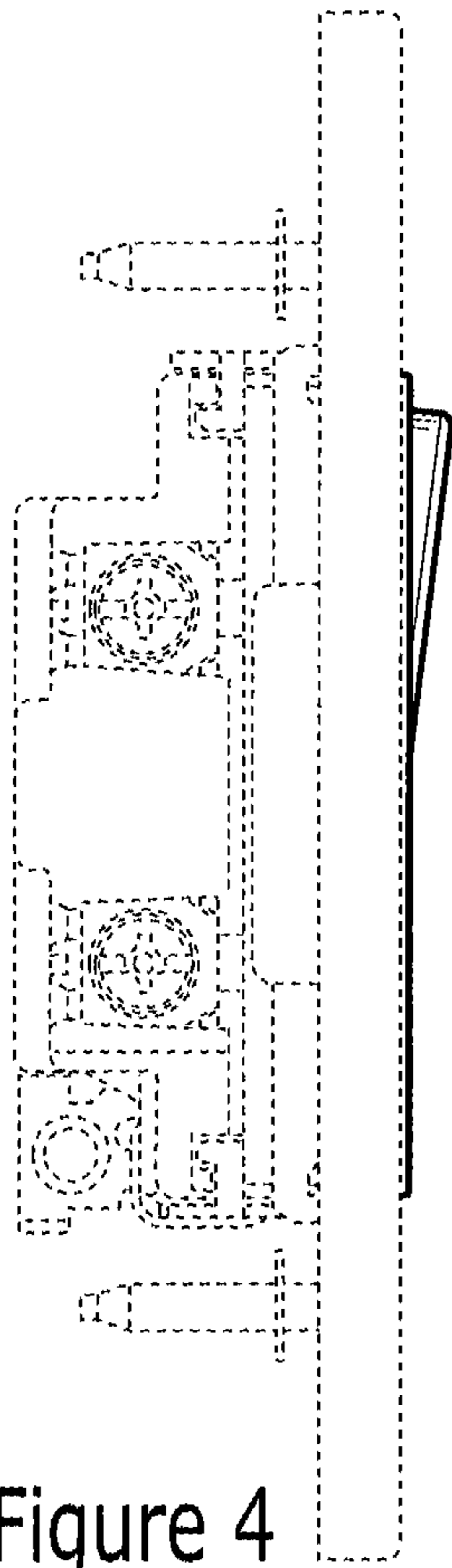


Figure 4

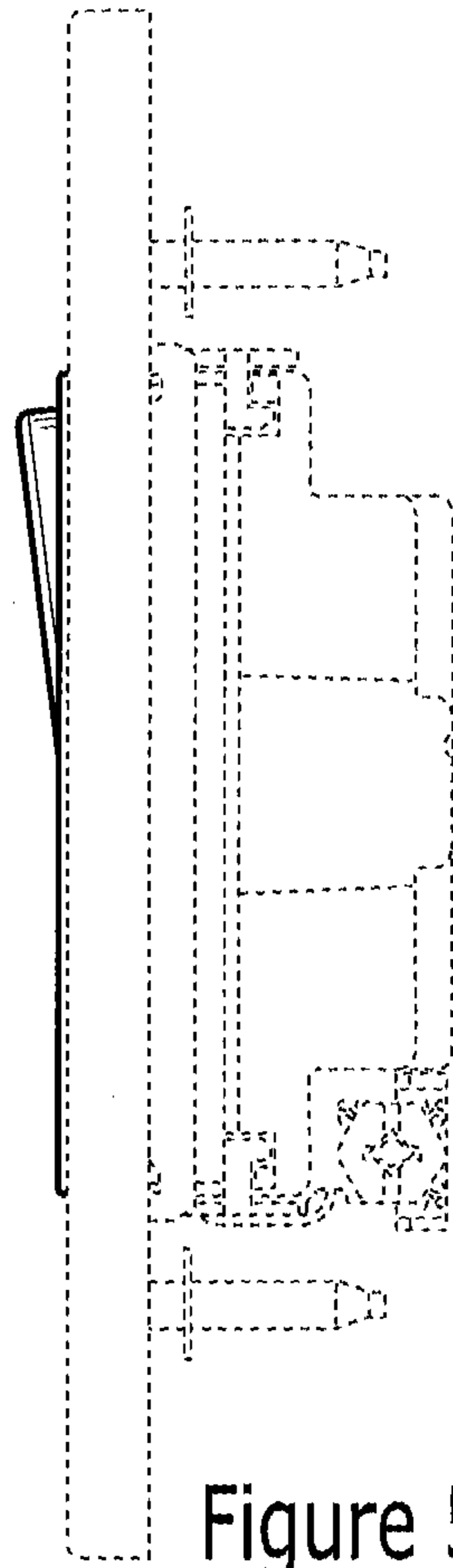


Figure 5

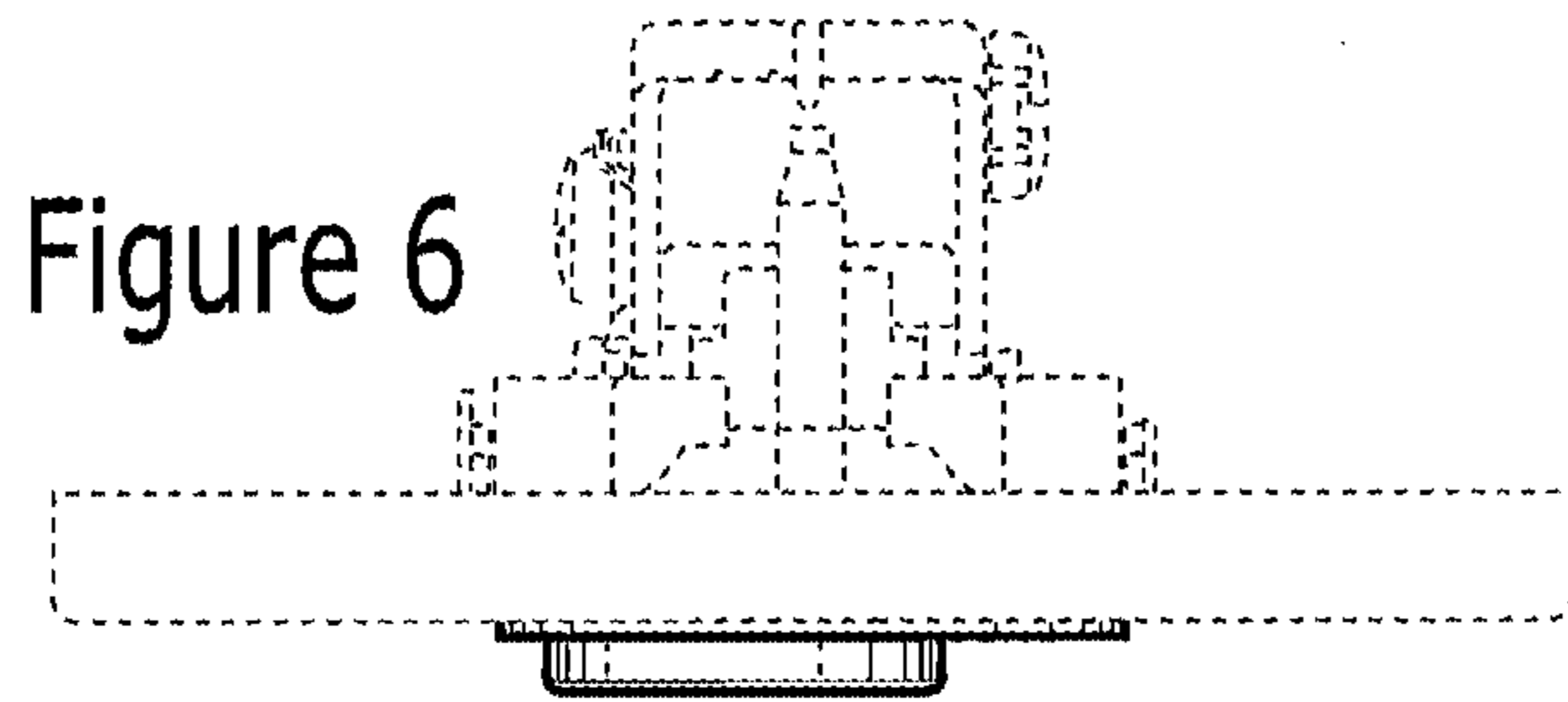


Figure 6

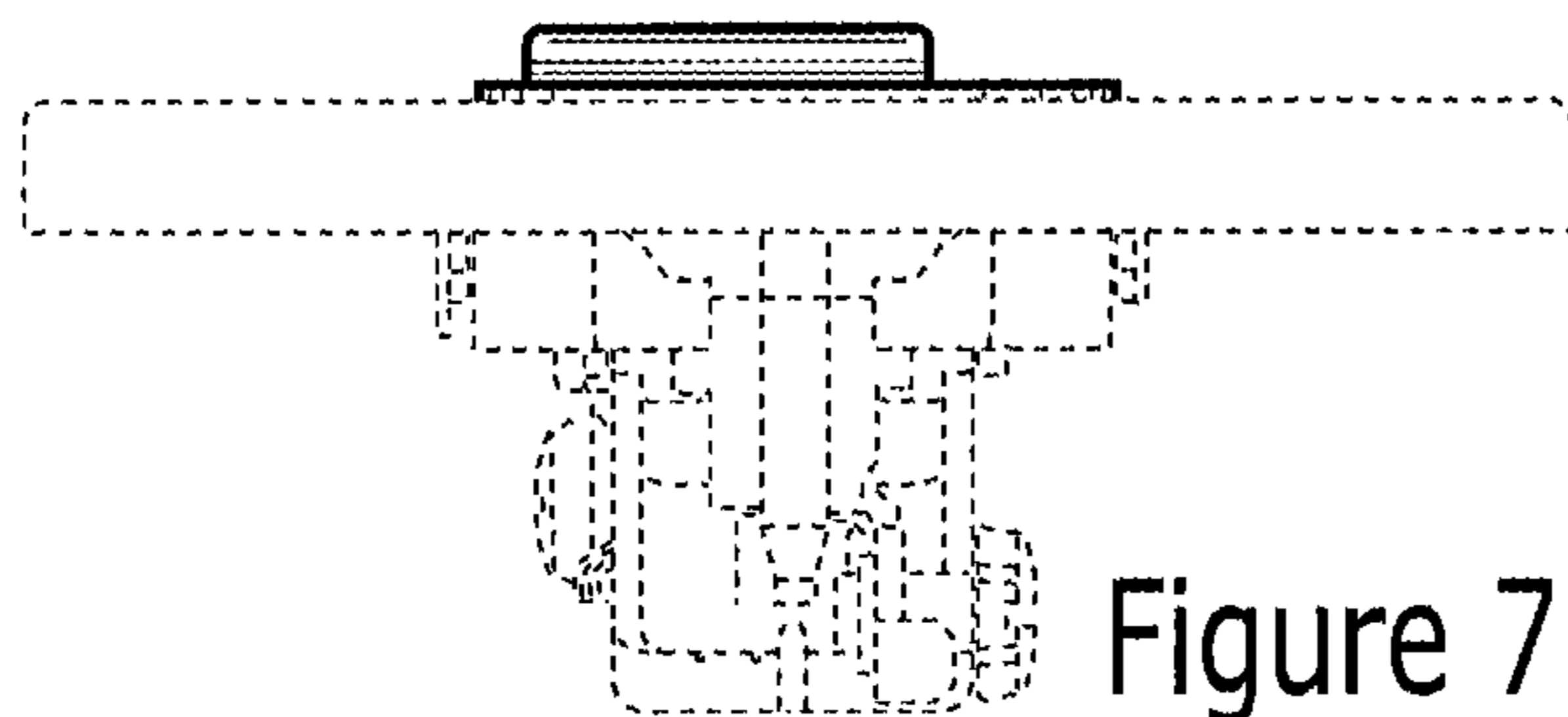


Figure 7

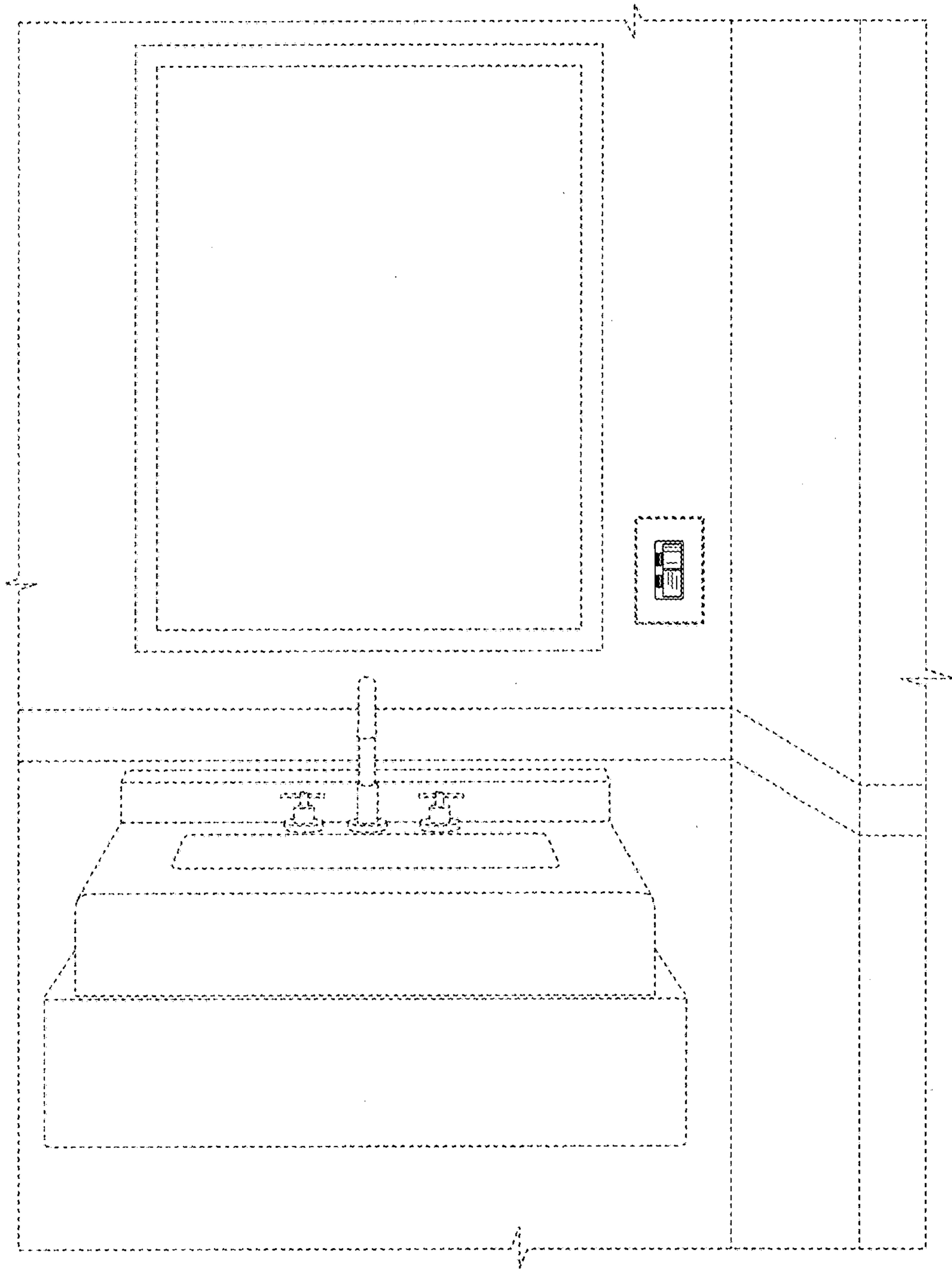


Figure 8

Figure 9

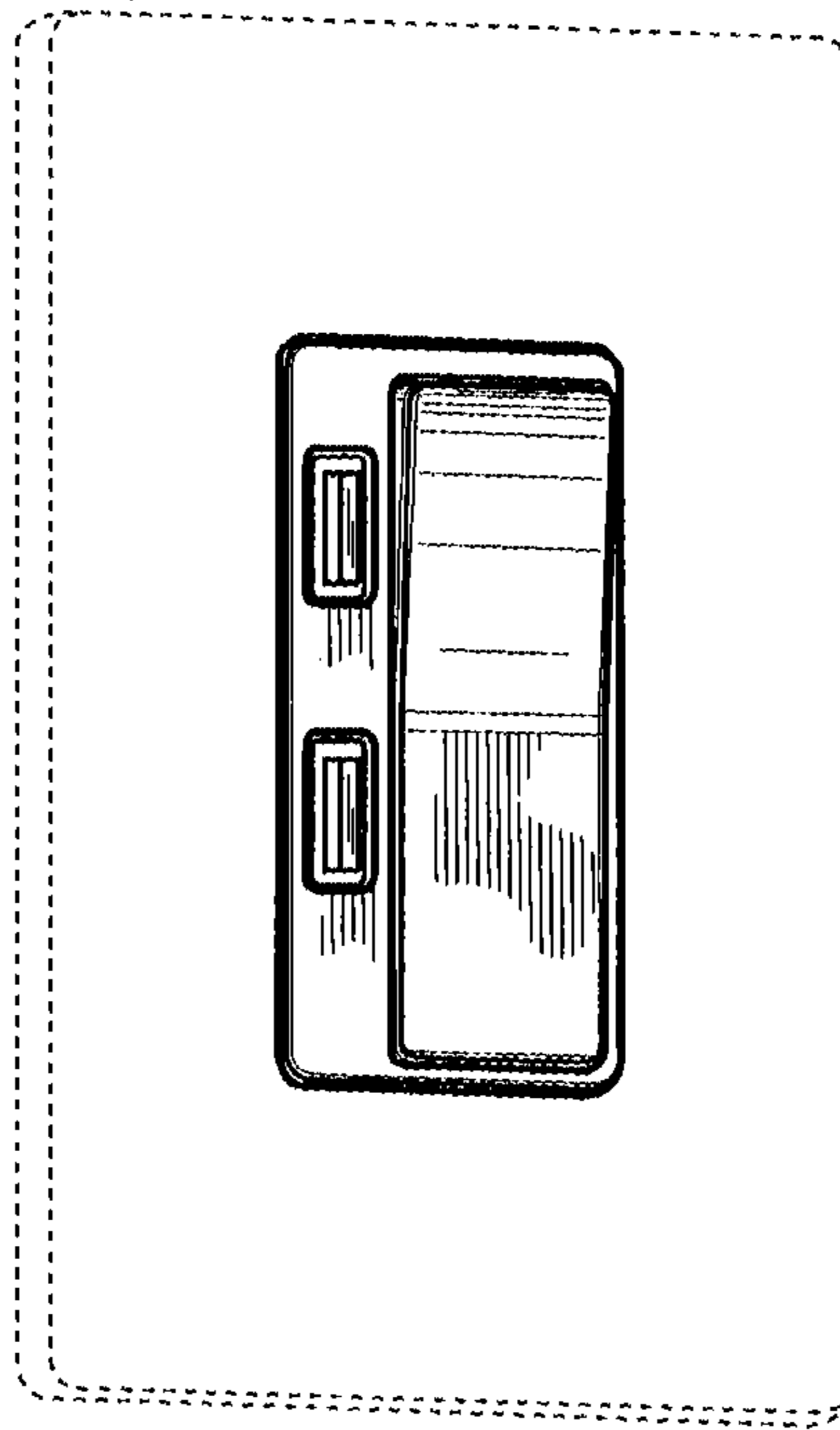
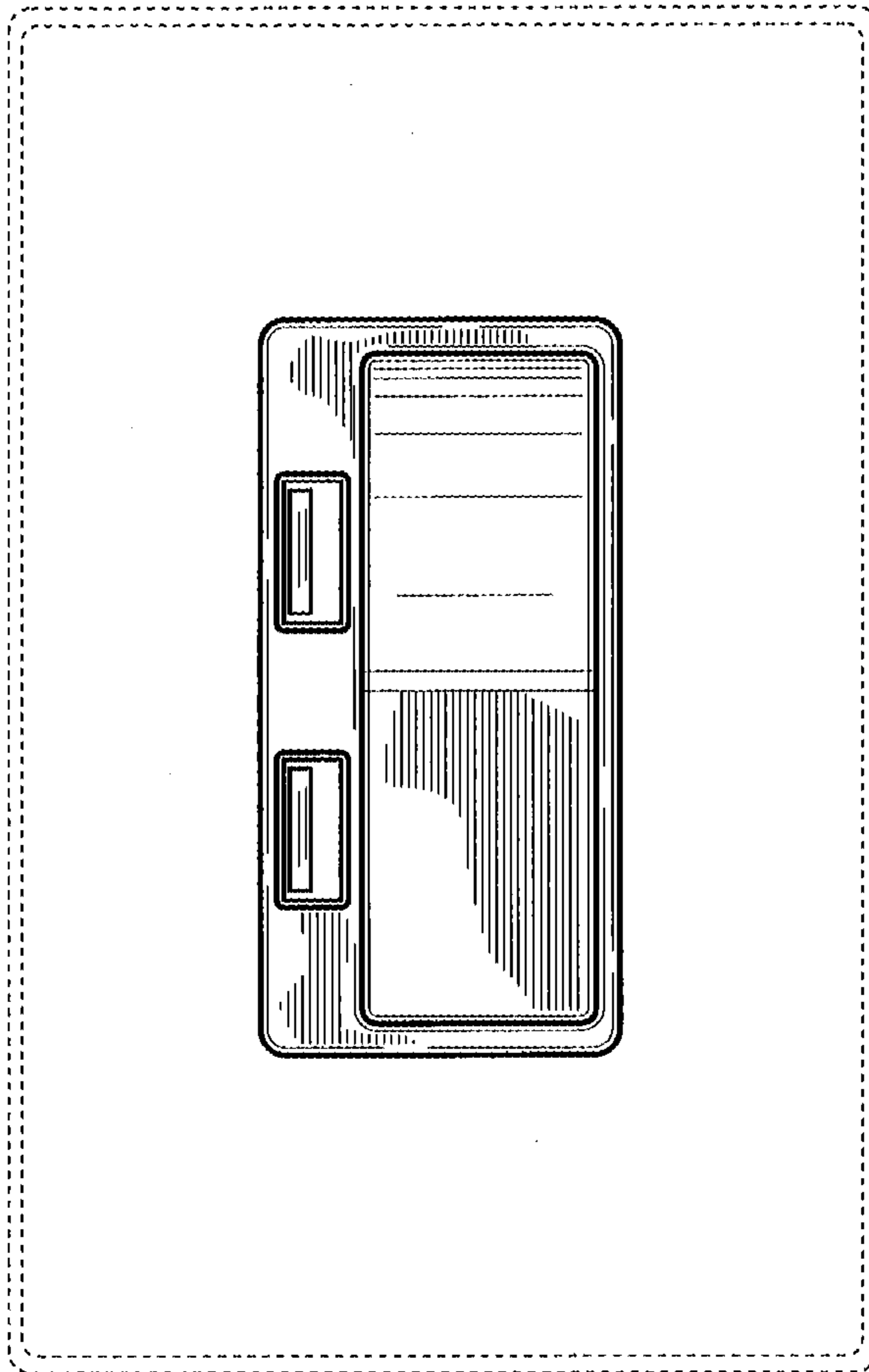


Figure 10



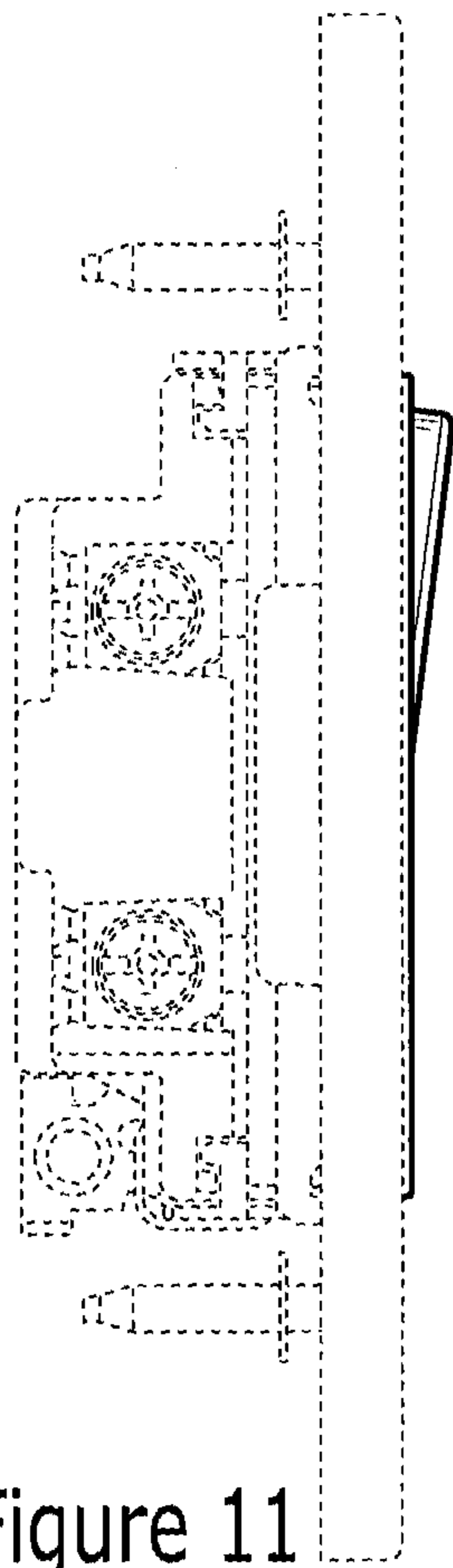


Figure 11

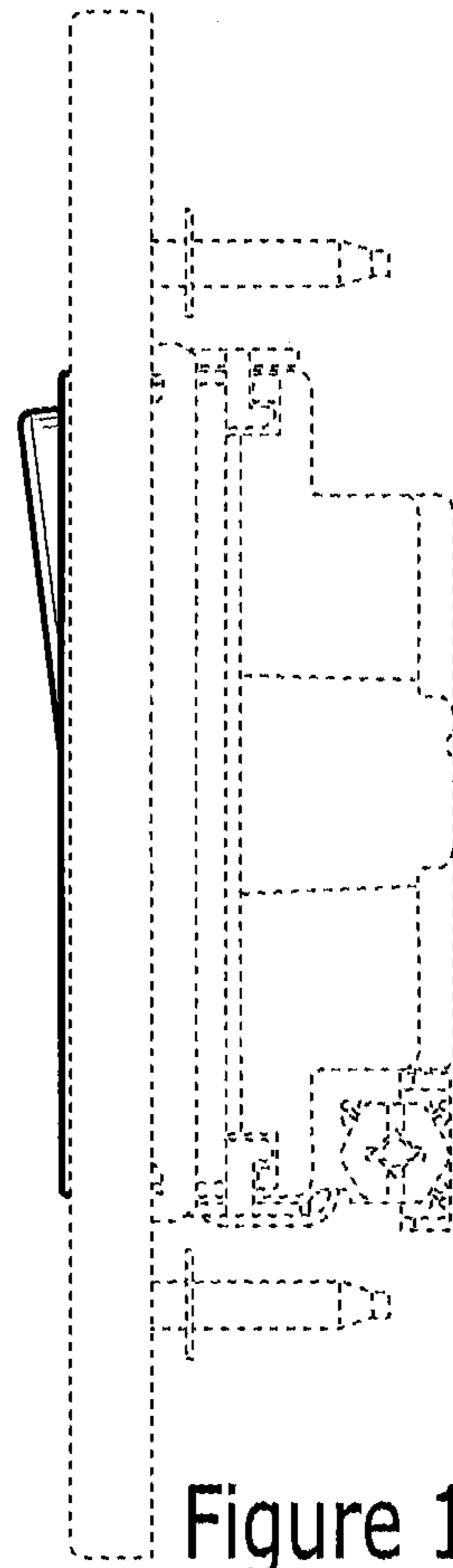


Figure 12

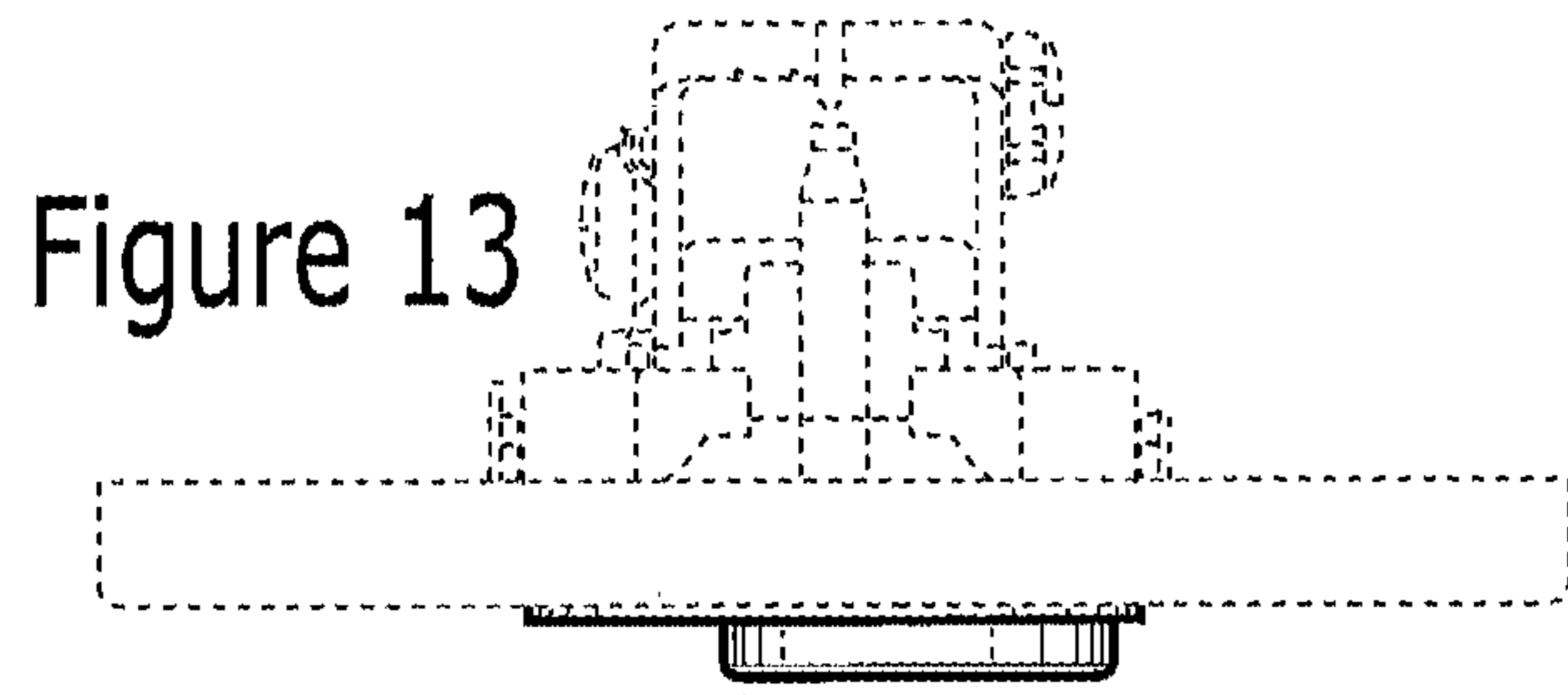


Figure 13

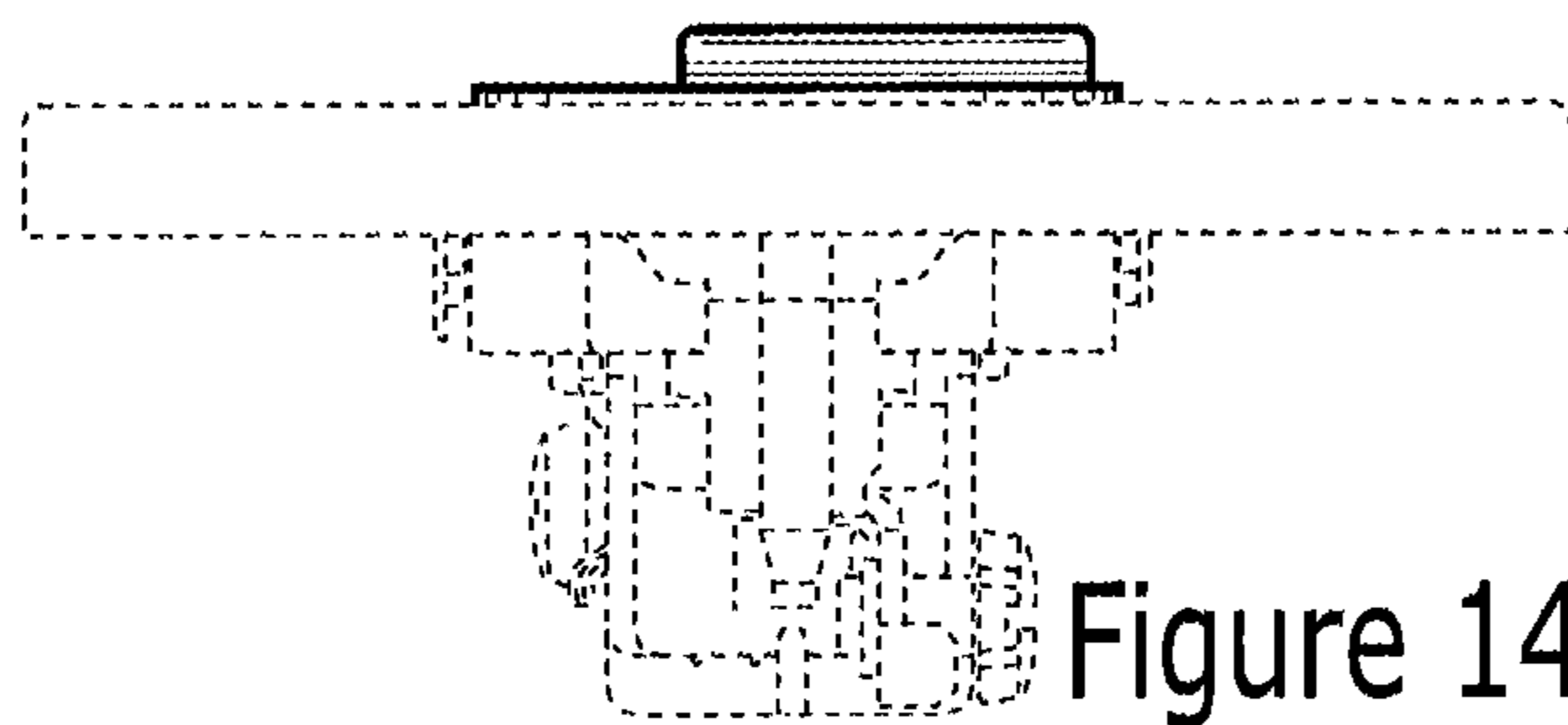


Figure 14



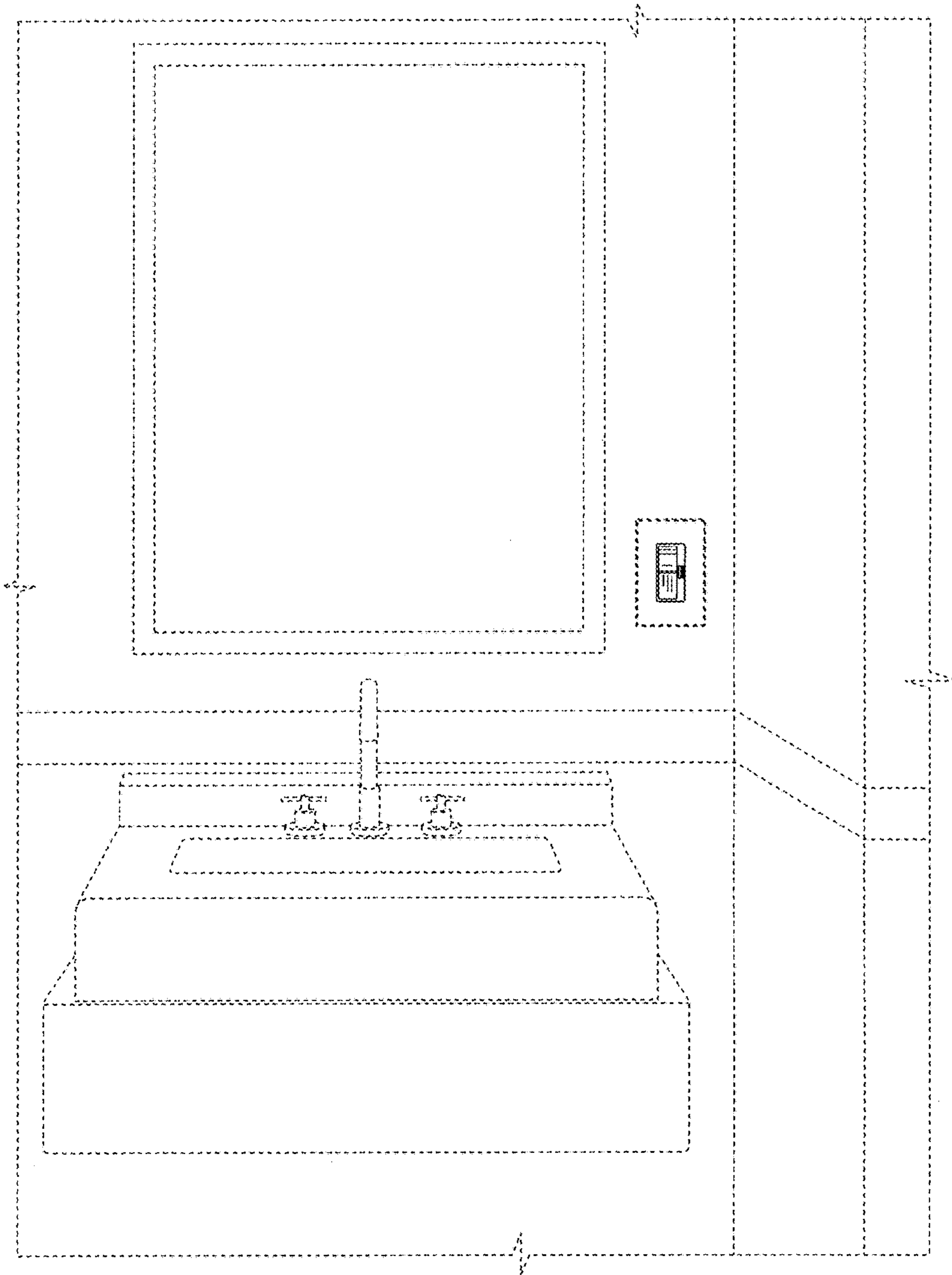


Figure 15

Figure 16

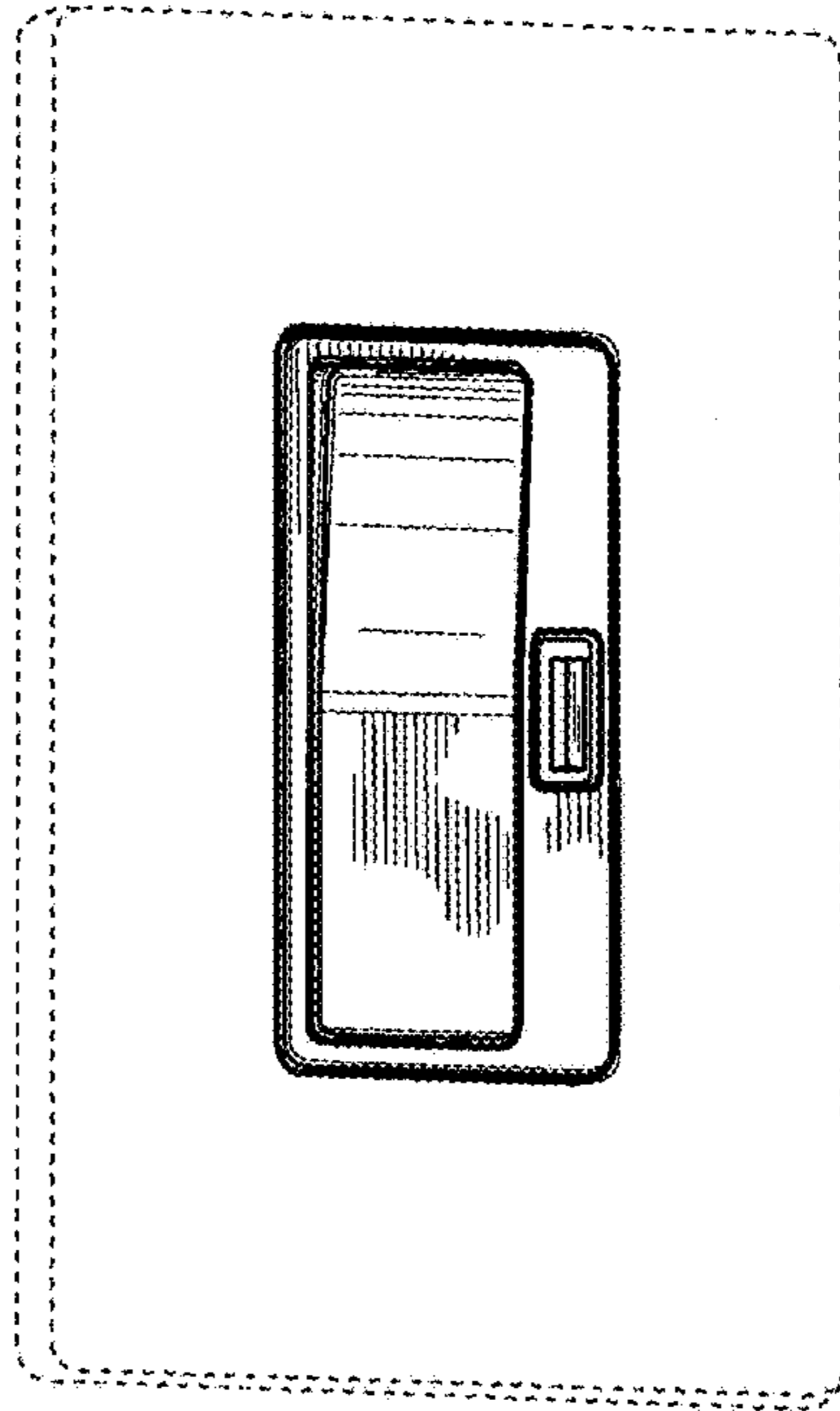
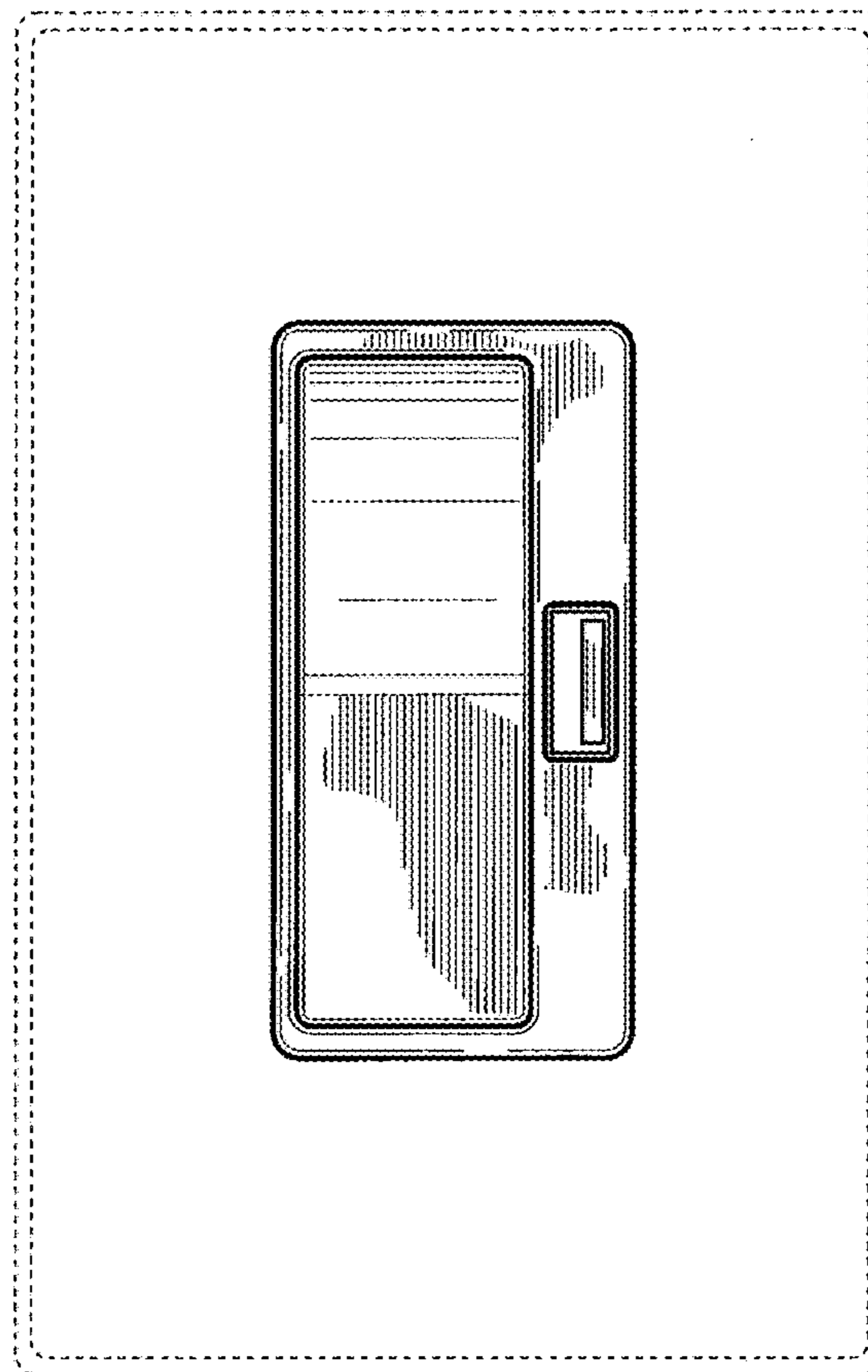


Figure 17



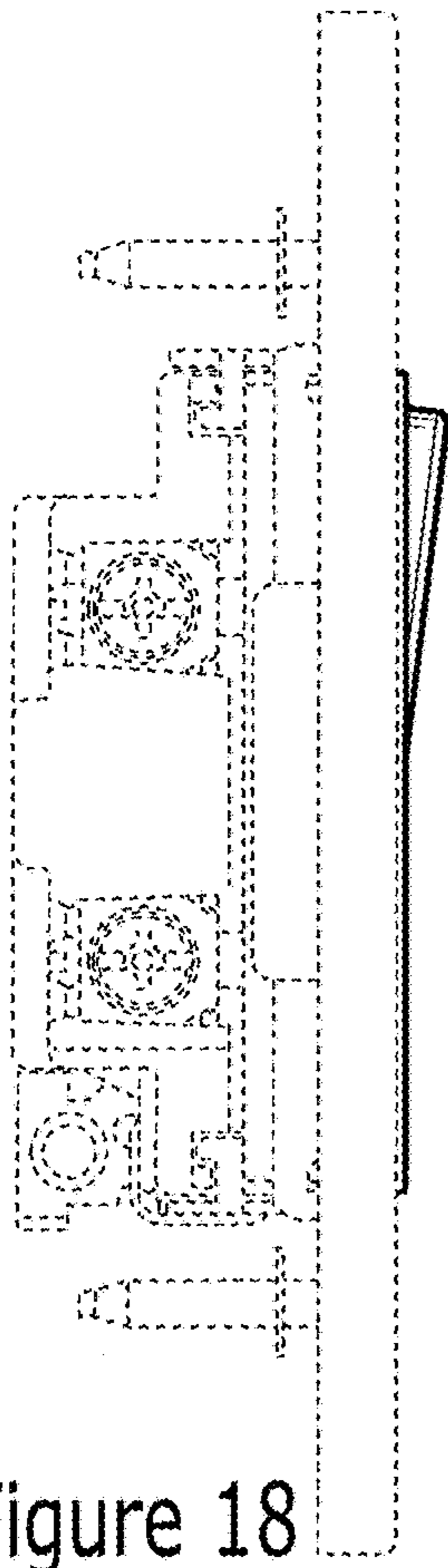


Figure 18

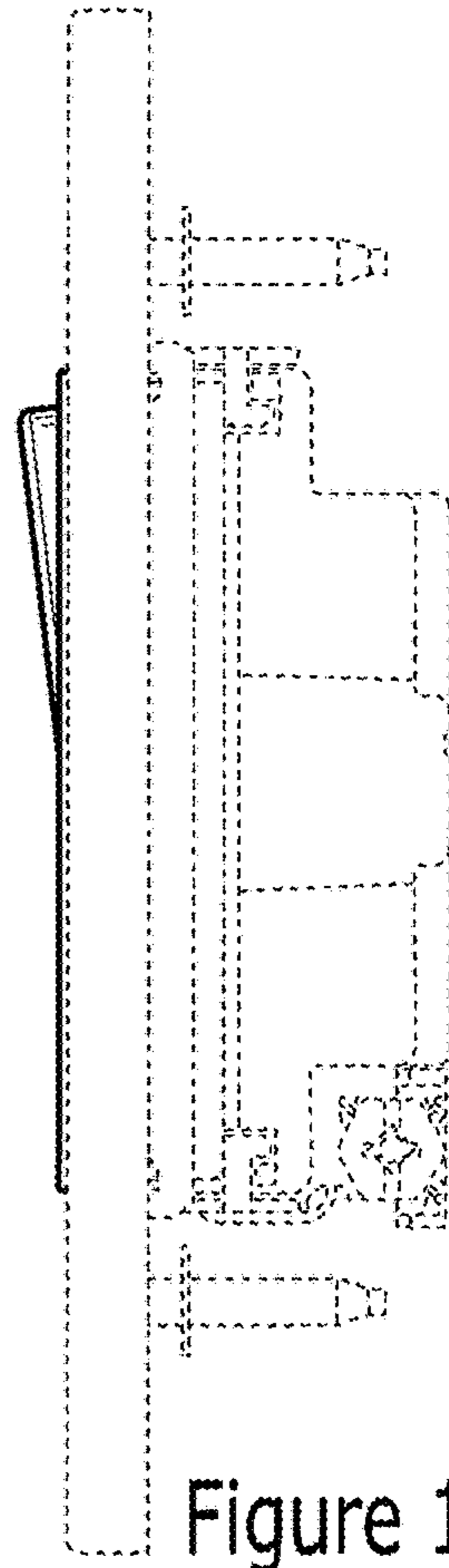


Figure 19

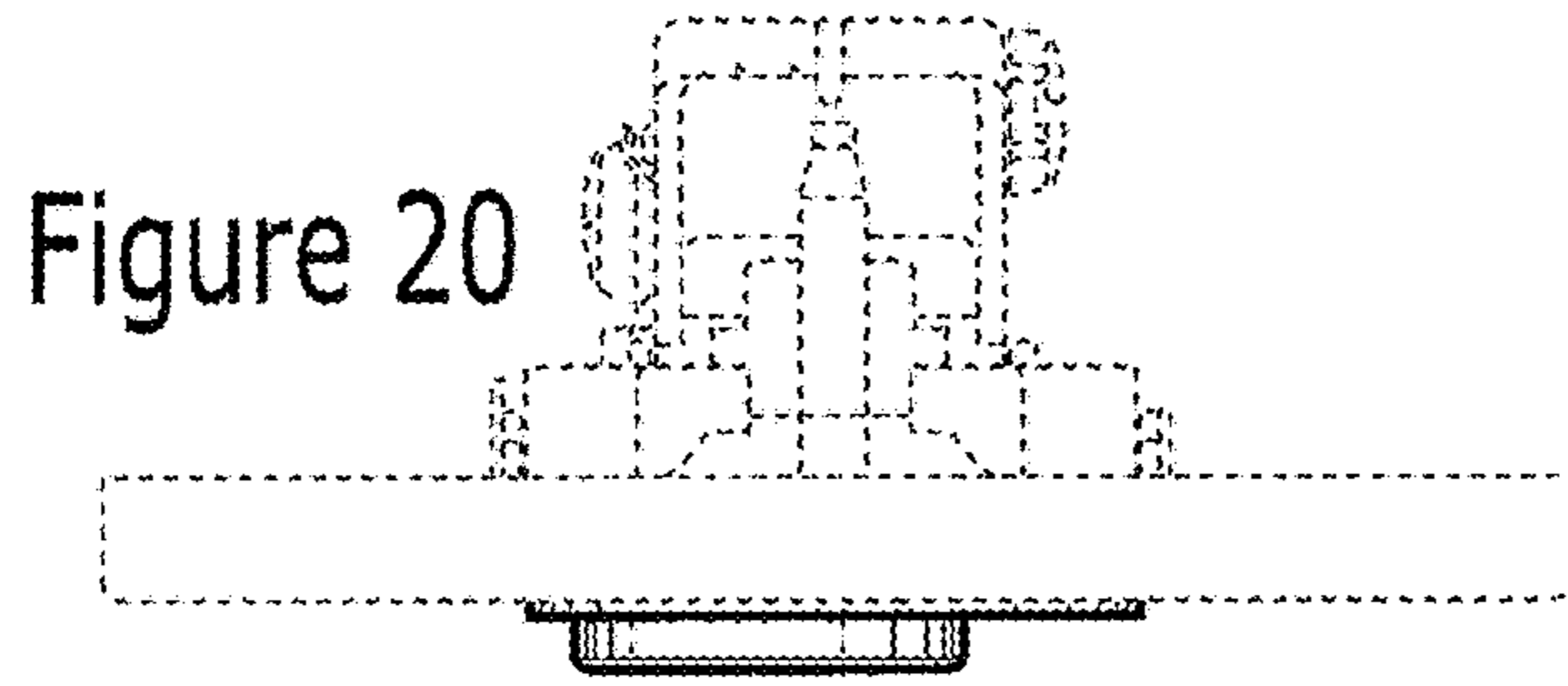


Figure 20

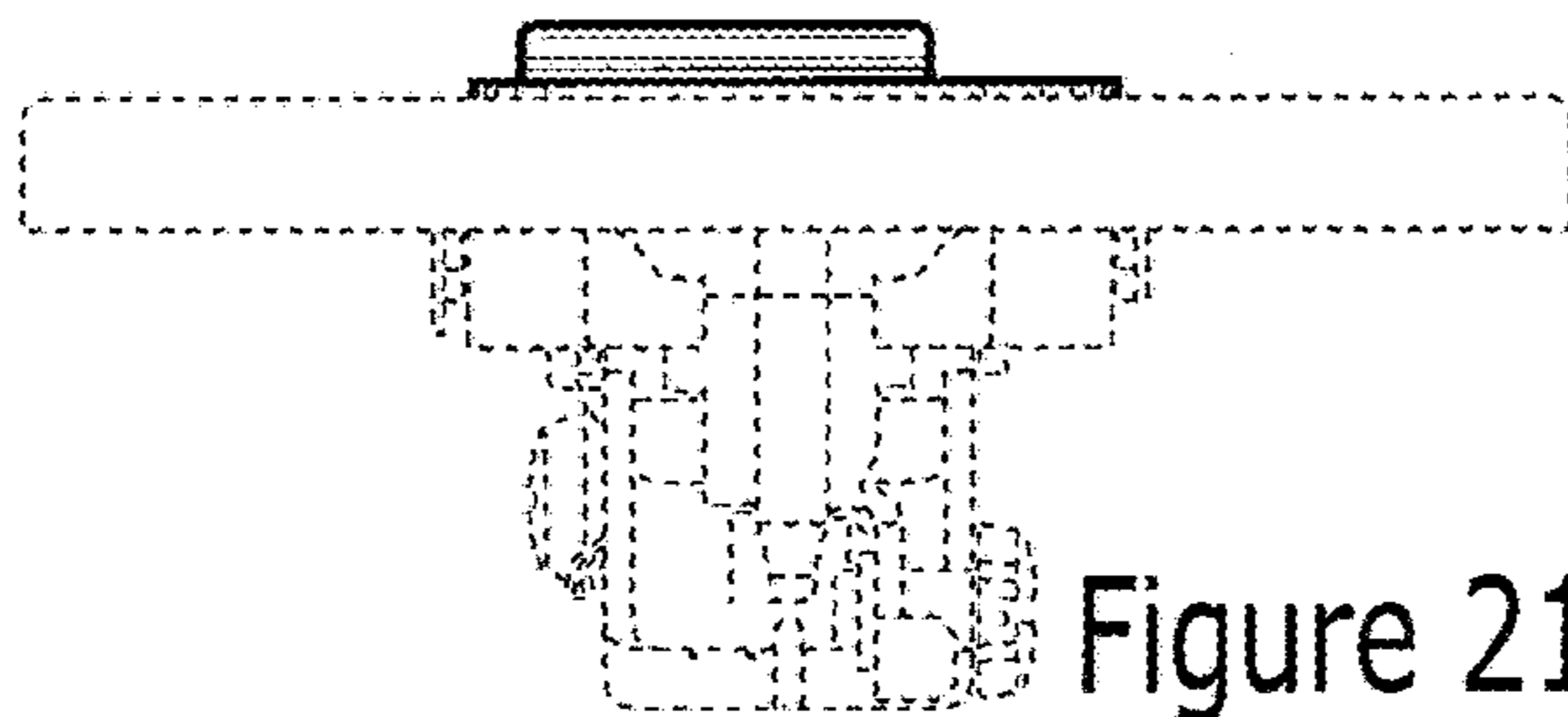


Figure 21

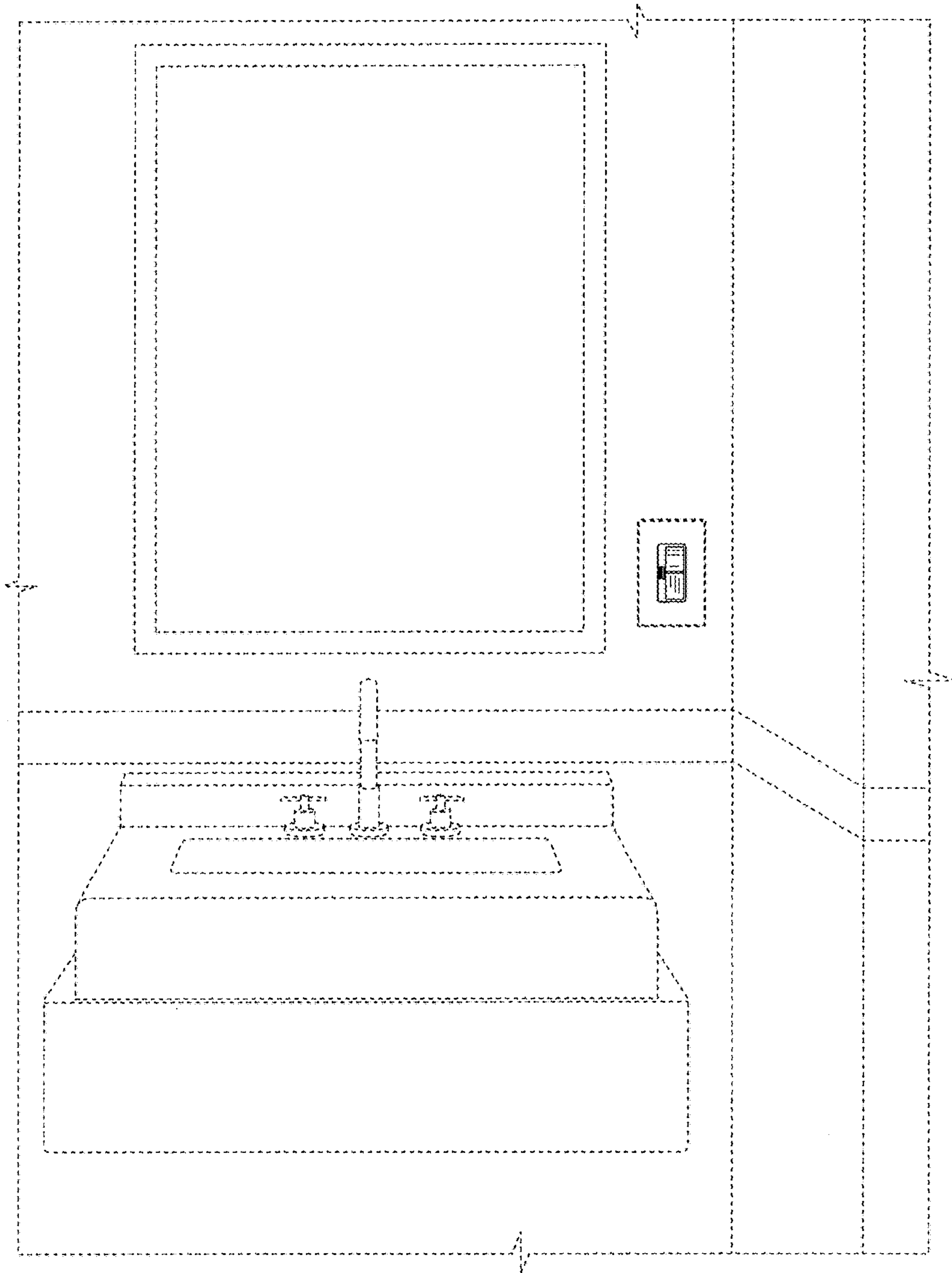


Figure 22

Figure 23

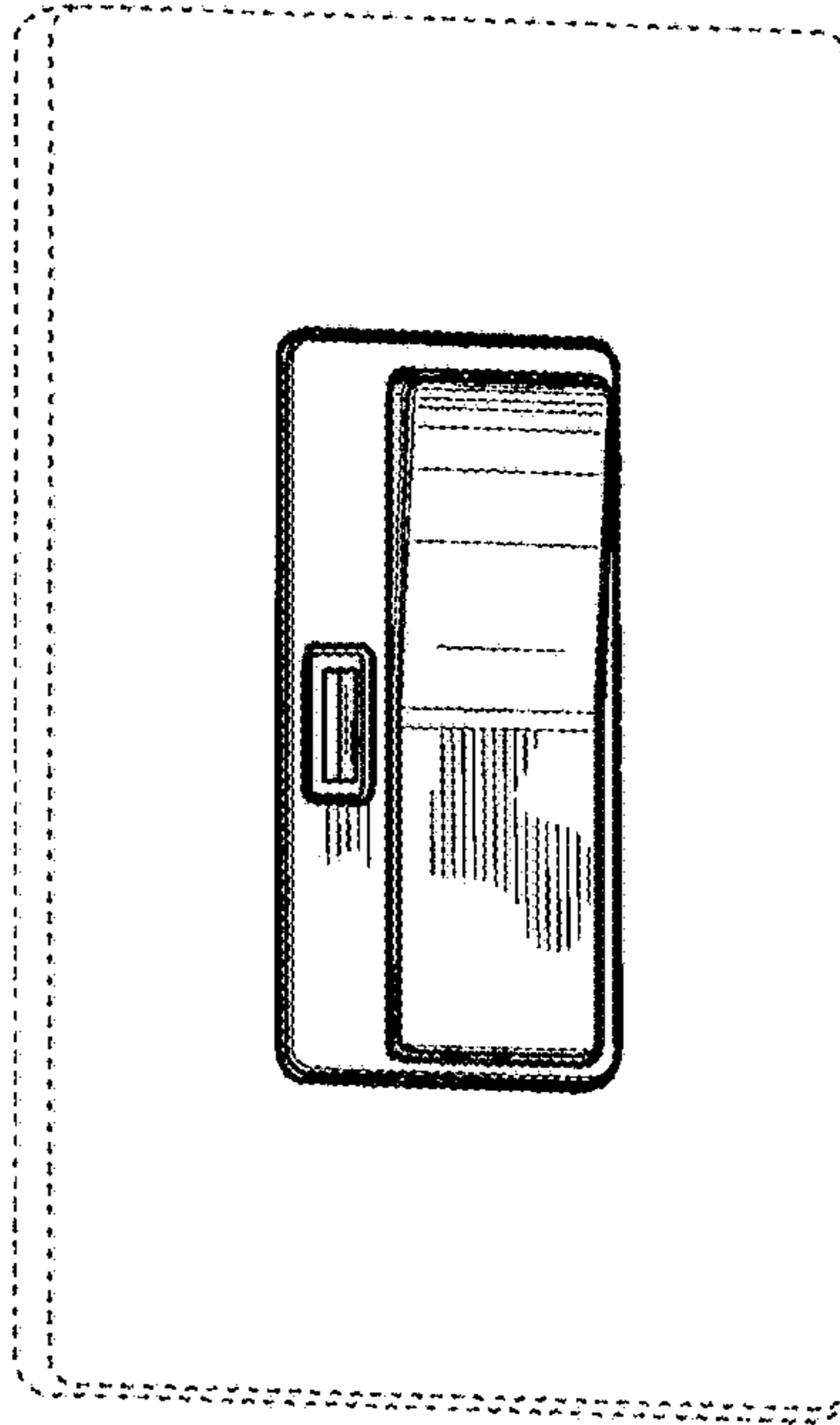
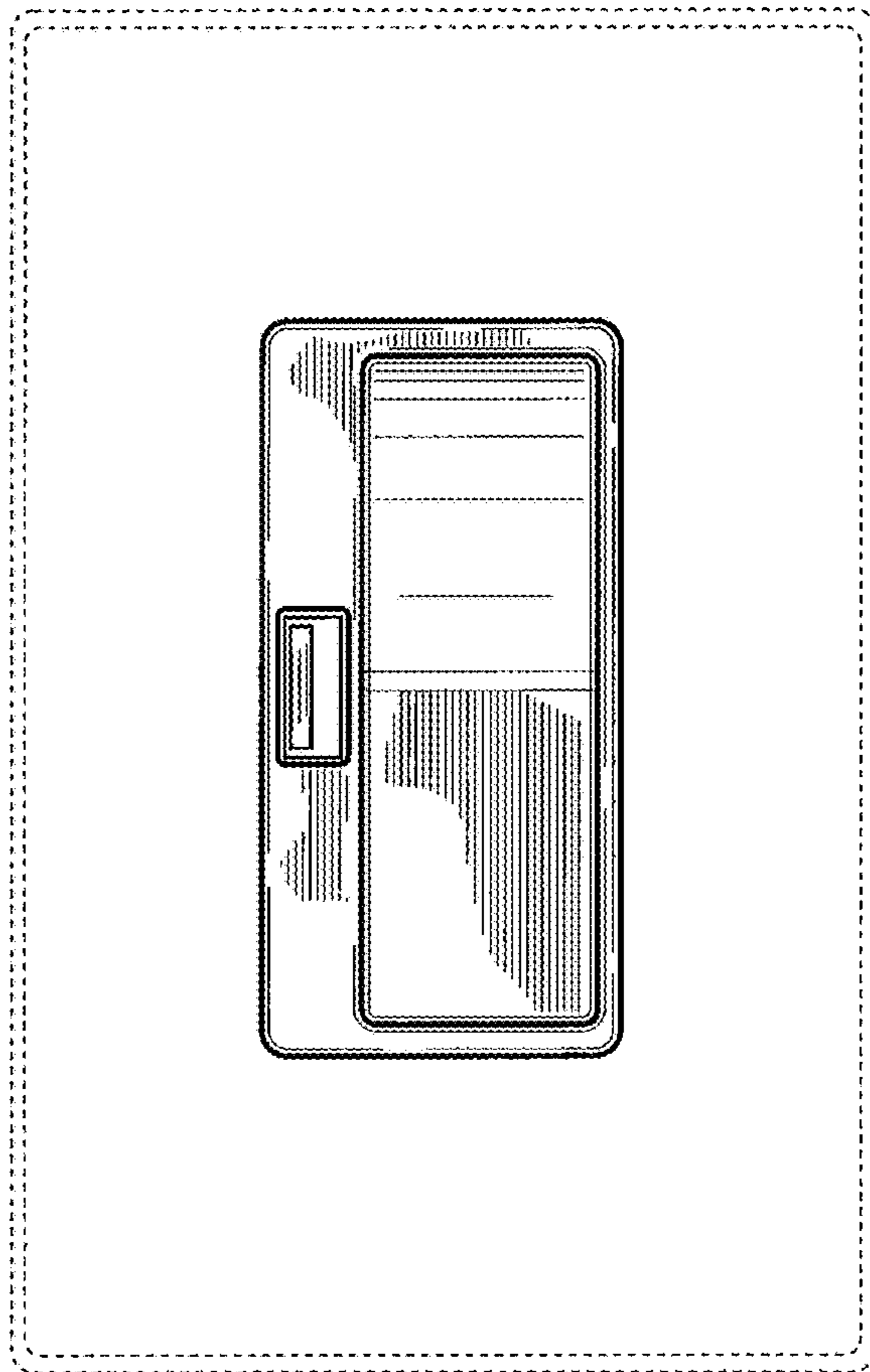


Figure 24





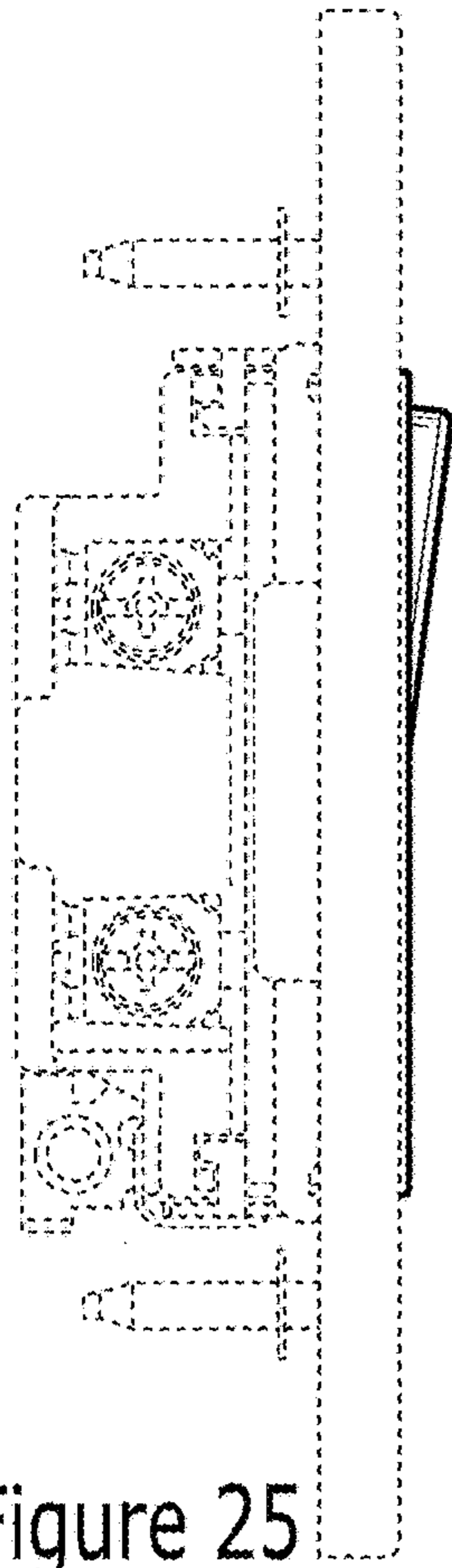


Figure 25

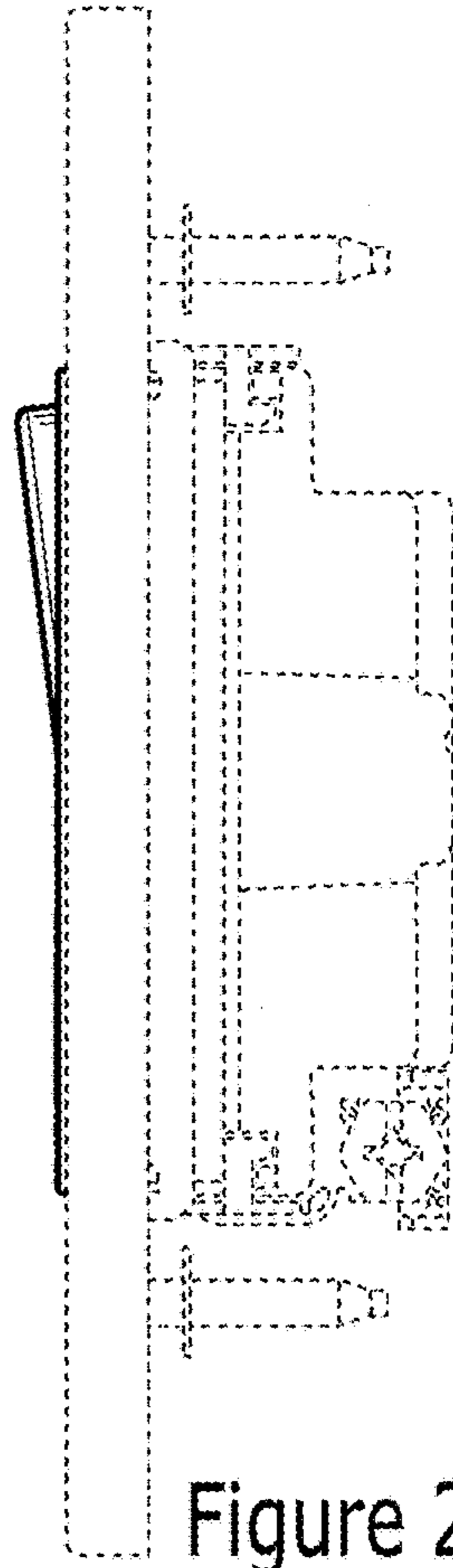


Figure 26

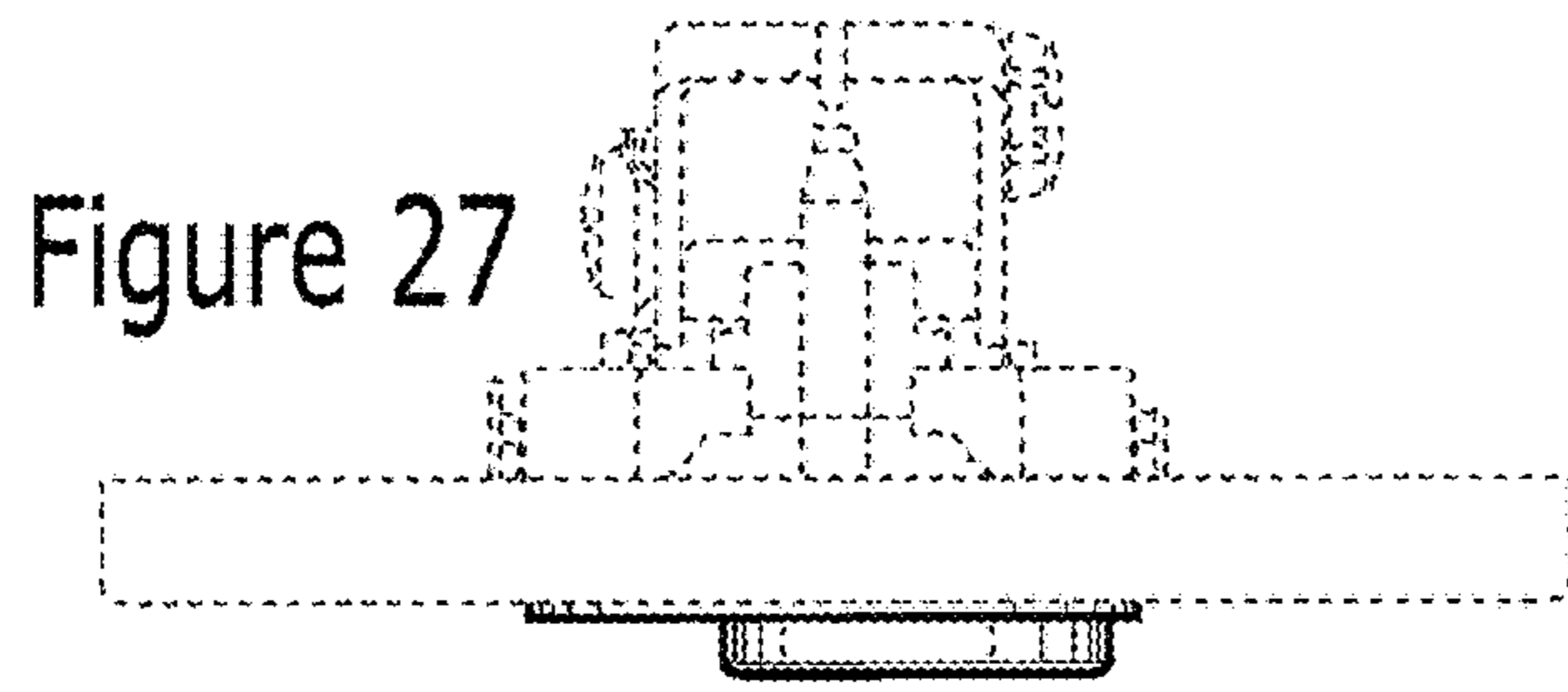


Figure 27

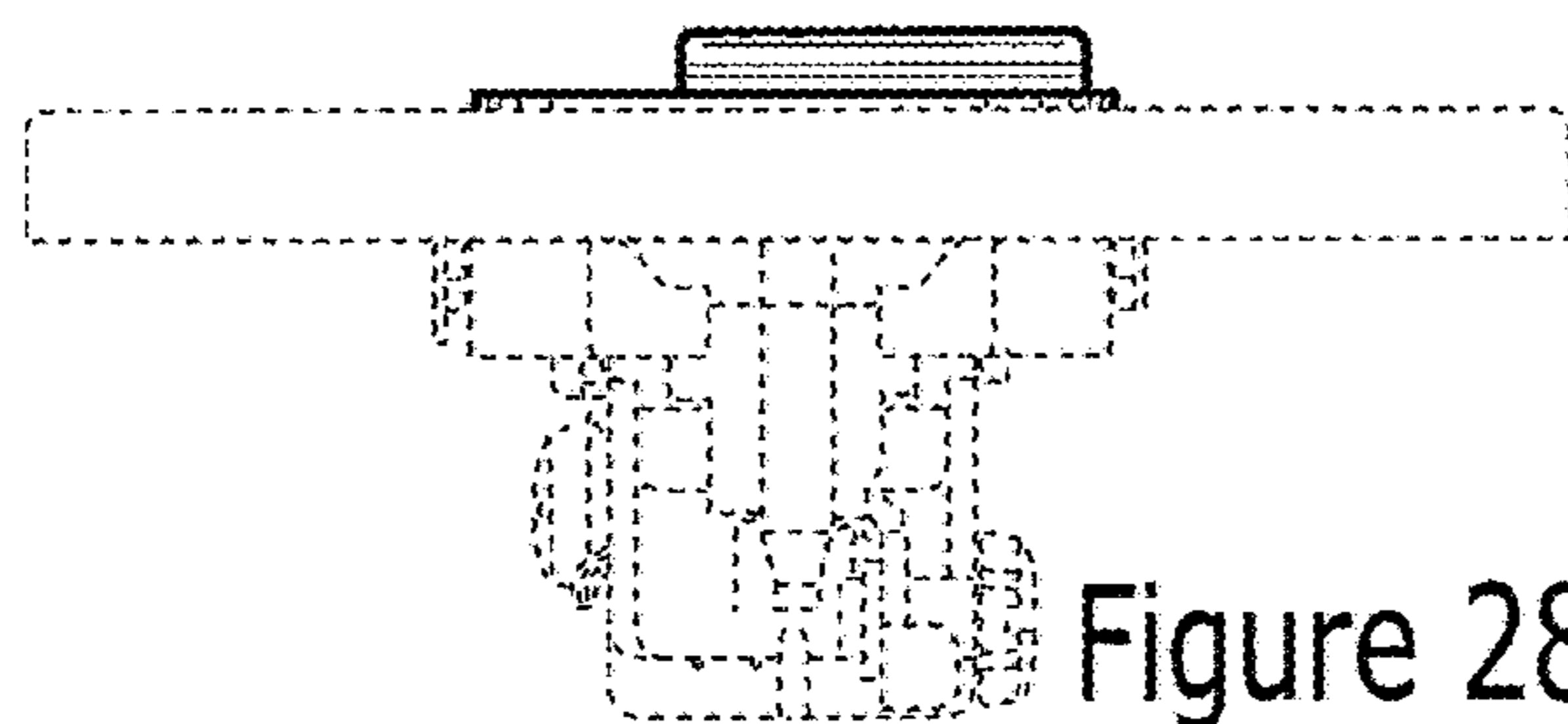


Figure 28

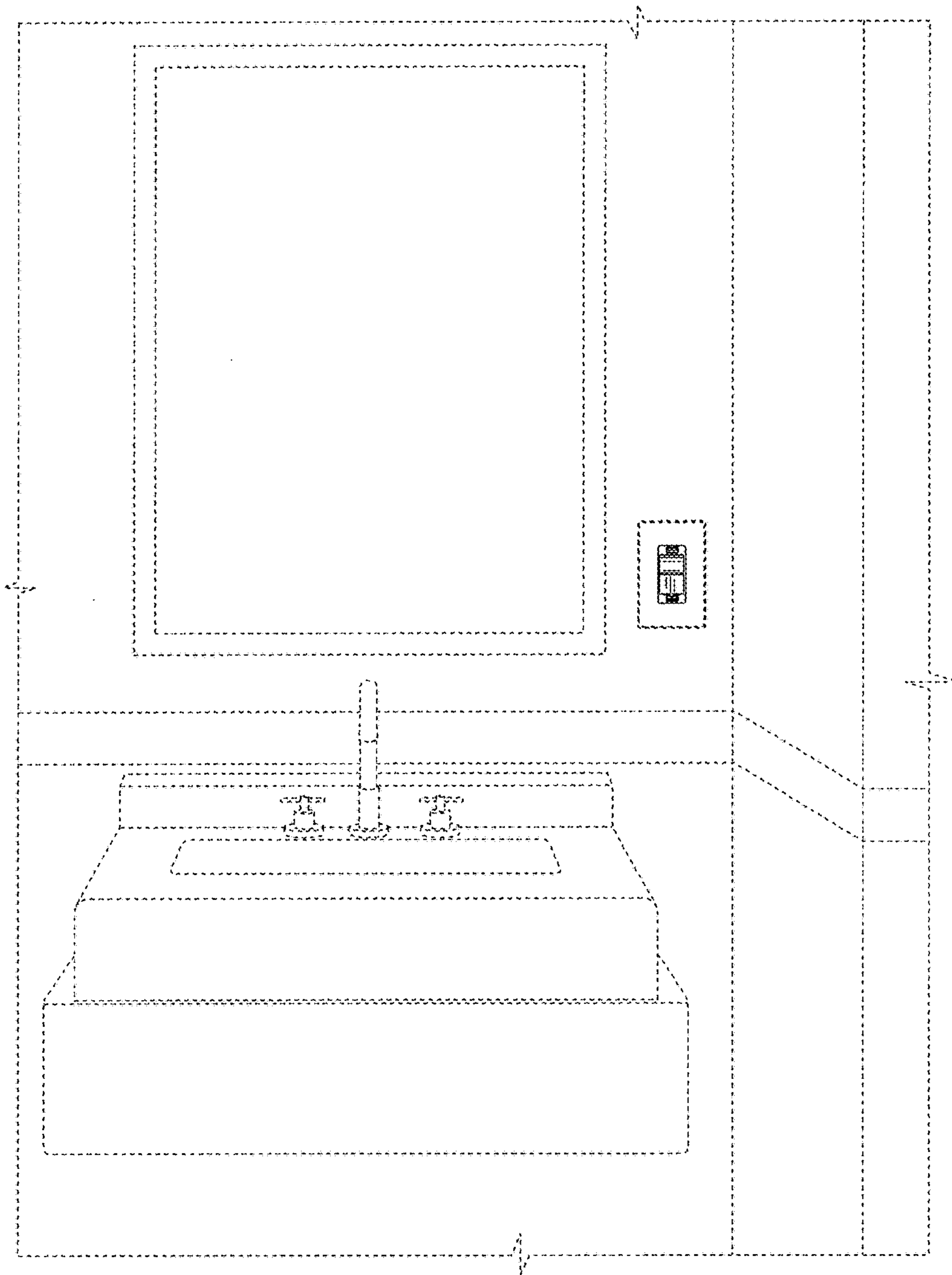


Figure 29

Figure 30

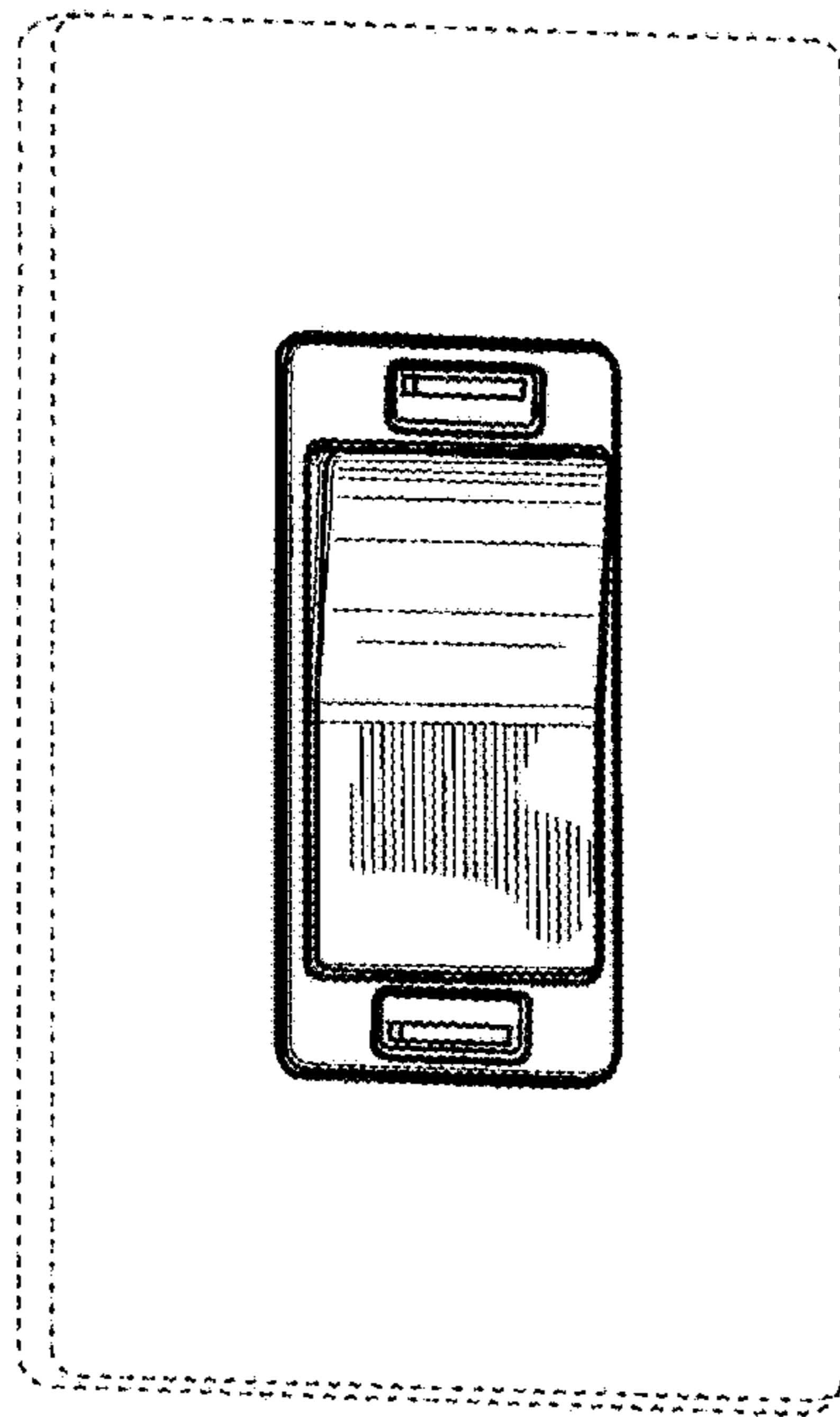
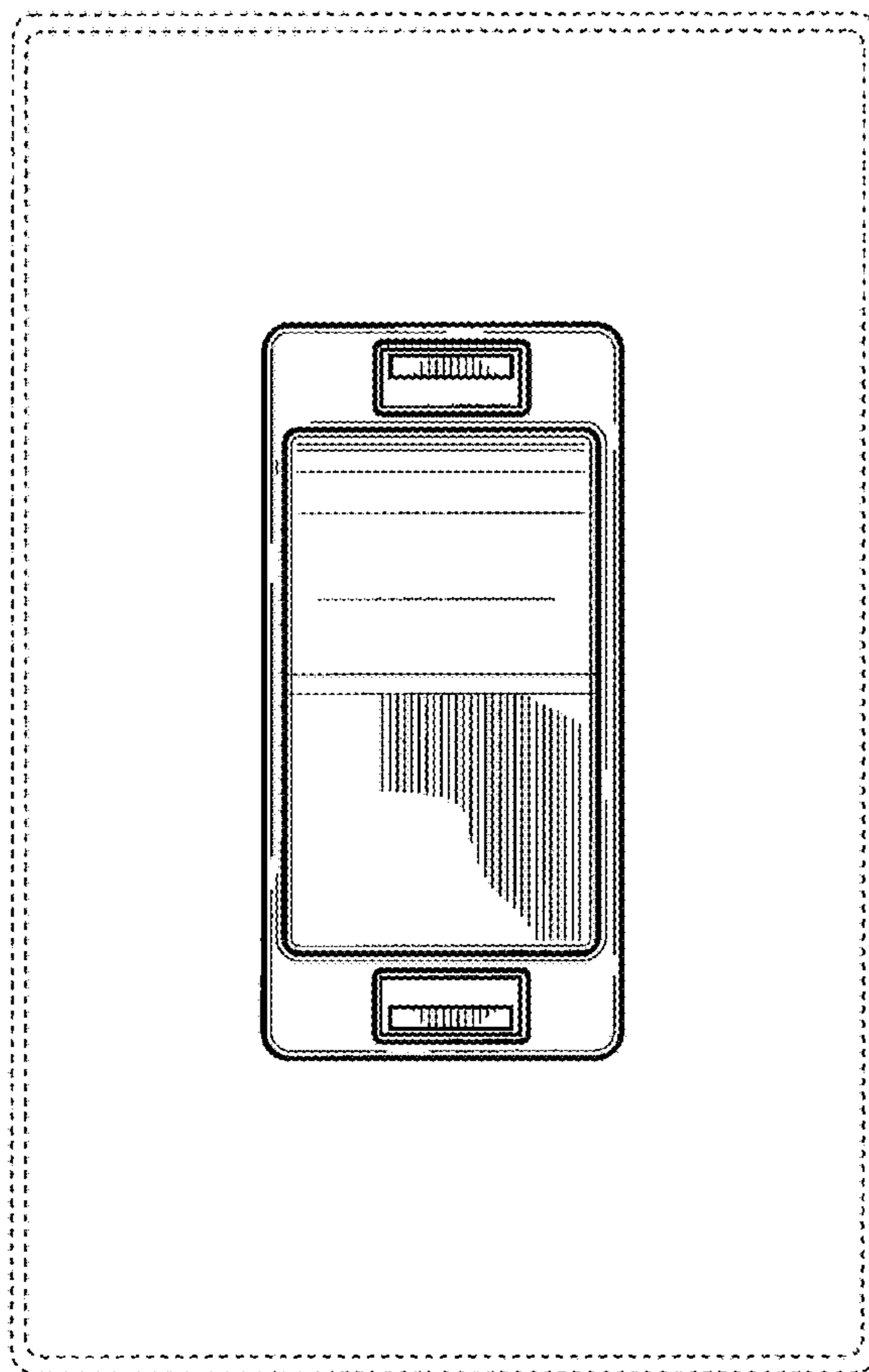


Figure 31



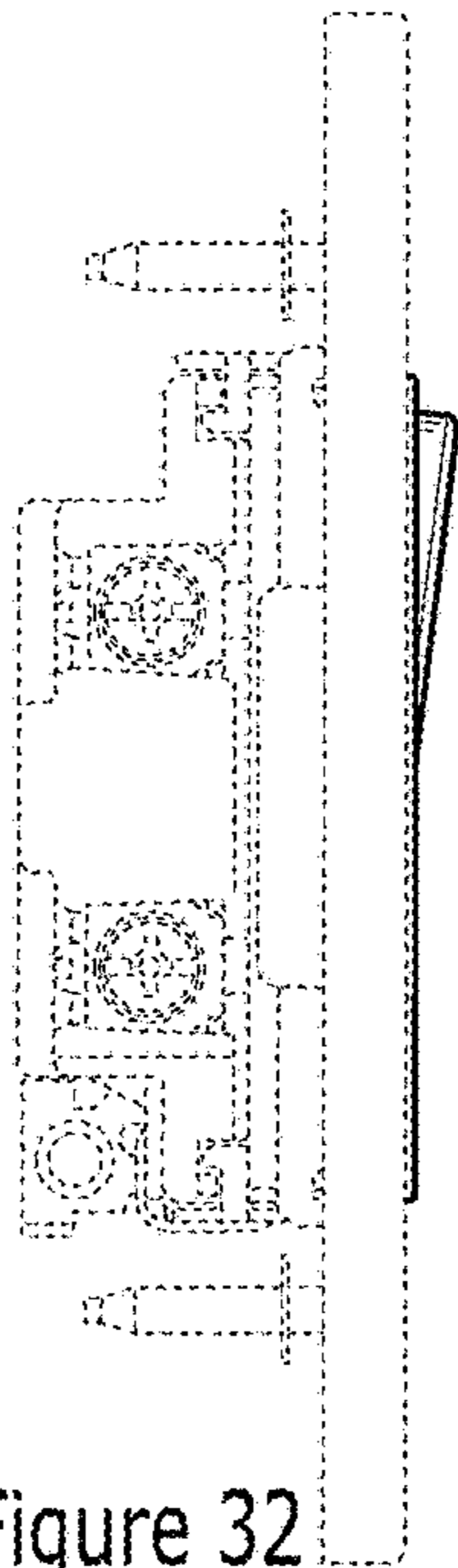


Figure 32

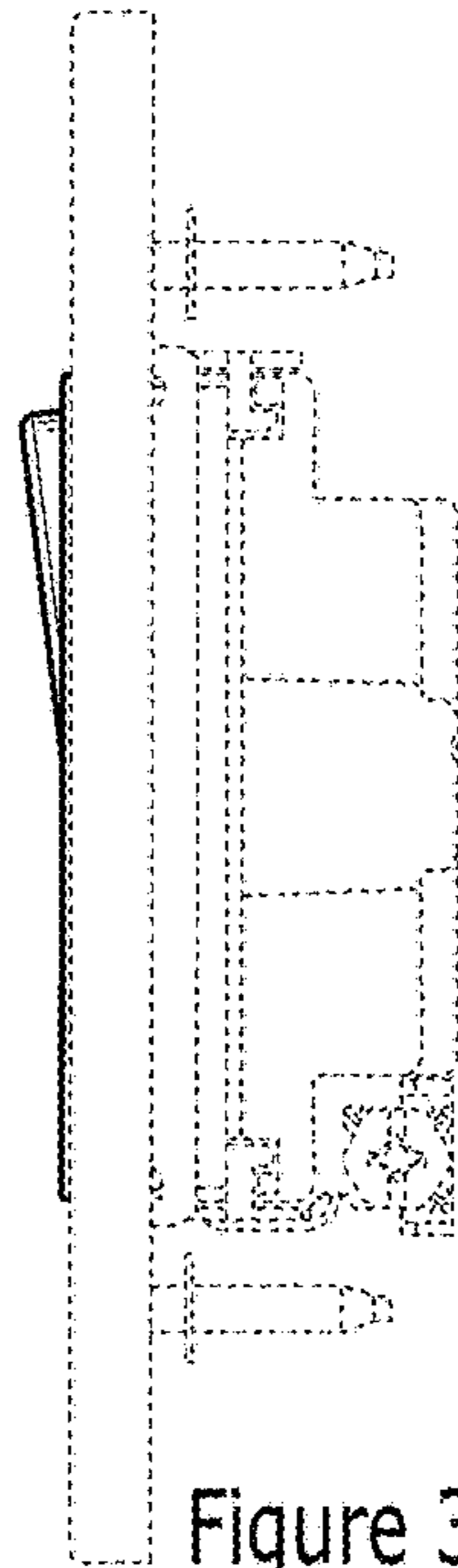


Figure 33

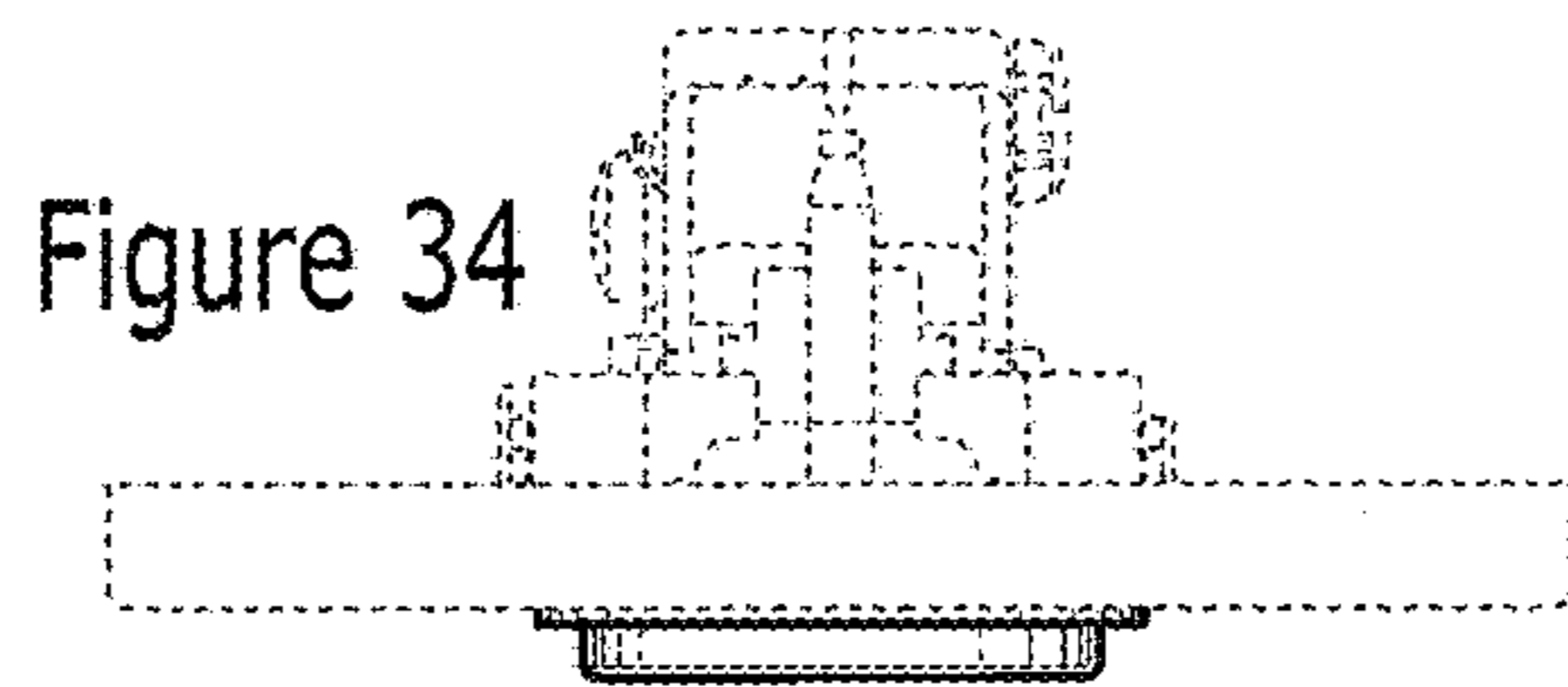


Figure 34

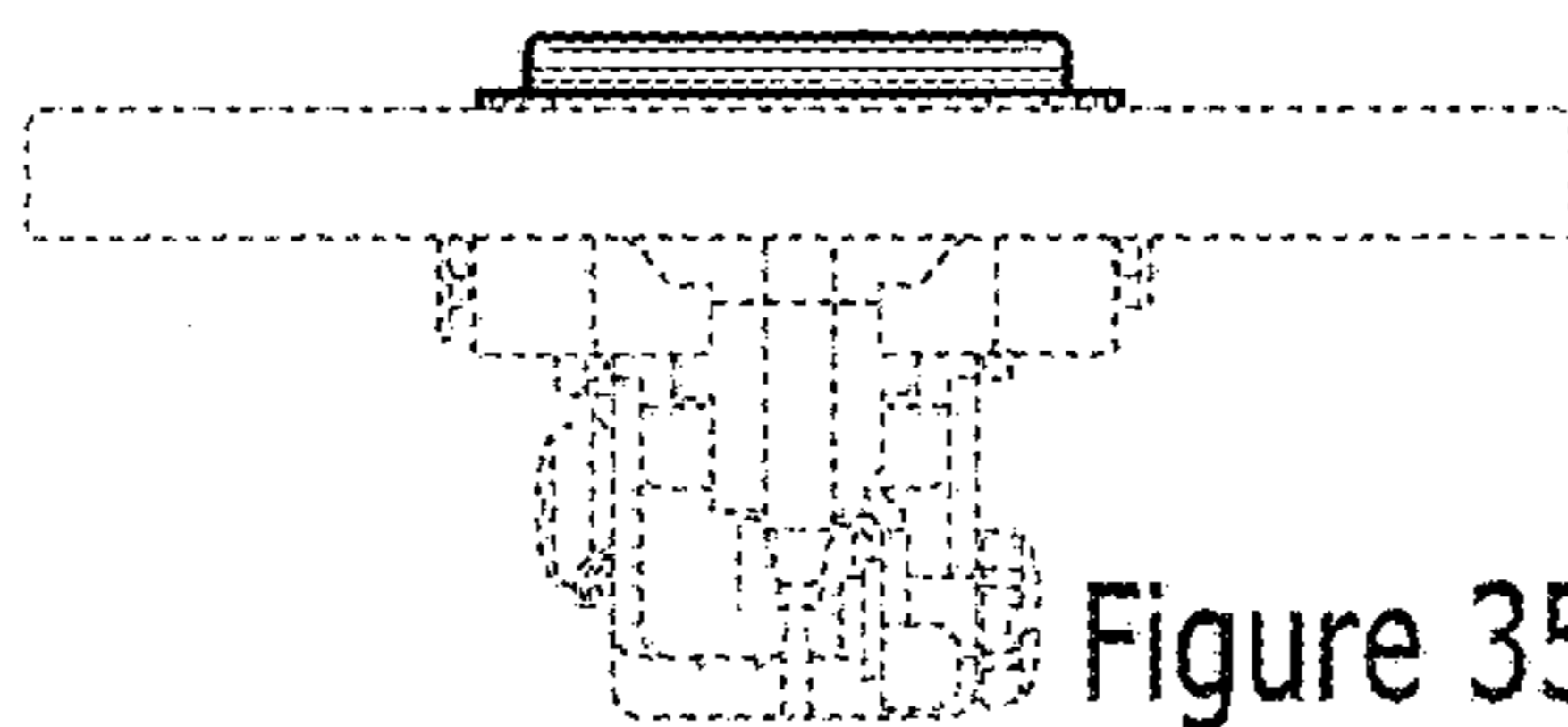


Figure 35