

US00D797057S

(12) **United States Design Patent** (10) **Patent No.:** **US D797,057 S**
Shimohama et al. (45) **Date of Patent:** **** Sep. 12, 2017**

(54) **DATA ENTRY DEVICE FOR NUMERICAL CONTROLLER**

- (71) Applicant: **Mitsubishi Electric Corporation**,
Tokyo (JP)
- (72) Inventors: **Kayo Shimohama**, Tokyo (JP);
Shoichiro Hayashi, Tokyo (JP);
Takahisa Kato, Tokyo (JP); **Hirohisa Naguchi**, Tokyo (JP)
- (73) Assignee: **Mitsubishi Electric Corporation**,
Tokyo (JP)
- (**) Term: **15 Years**
- (21) Appl. No.: **29/583,859**
- (22) Filed: **Nov. 9, 2016**

Related U.S. Application Data

- (62) Division of application No. 29/523,455, filed on Apr. 9, 2015, now Pat. No. Des. 776,627.

Foreign Application Priority Data

- (30)
- Dec. 22, 2014 (JP) 2014-028748
 Dec. 22, 2014 (JP) 2014-028749
 Dec. 22, 2014 (JP) 2014-028750
- (51) **LOC (10) Cl.** **13-03**
- (52) **U.S. Cl.**
USPC **D13/164**
- (58) **Field of Classification Search**
USPC D13/162, 162.1, 164; D10/49, 50;
D14/336, 371
CPC G05B 19/0425; G05B 19/0426; G05B
19/05; G05B 19/409; G05B 19/4147;
G06F 3/0484; G06F 3/0489; G06F
1/1601
See application file for complete search history.

(56) **References Cited**

U.S. PATENT DOCUMENTS

| | | | |
|-----------------|---------|-------------------|---------|
| D275,851 S | 10/1984 | Bambeck | |
| 4,524,414 A | 6/1985 | Kiyokawa | |
| D280,406 S | 9/1985 | Walker | |
| 4,916,639 A | 4/1990 | Yoneda et al. | |
| D334,542 S | 4/1993 | Lowe et al. | |
| 5,724,069 A | 3/1998 | Chen | |
| D406,830 S | 3/1999 | Herbstritt et al. | |
| 7,092,248 B2 | 8/2006 | Shu | |
| D559,792 S | 1/2008 | Gemme et al. | |
| D573,108 S | 7/2008 | Pan | |
| 7,499,029 B2 | 3/2009 | Hara | |
| 7,978,465 B2 | 7/2011 | Osaka et al. | |
| D753,607 S | 4/2016 | Lee et al. | |
| D765,042 S * | 8/2016 | Shimohama | D13/164 |
| D776,627 S * | 1/2017 | Shimohama | D13/164 |
| 2003/0040884 A1 | 2/2003 | Walther et al. | |
| 2010/0175012 A1 | 7/2010 | Allstrom et al. | |
| 2012/0109343 A1 | 5/2012 | Shah | |

(Continued)

Primary Examiner — Selina Sikder

(74) *Attorney, Agent, or Firm* — Studebaker & Brackett PC

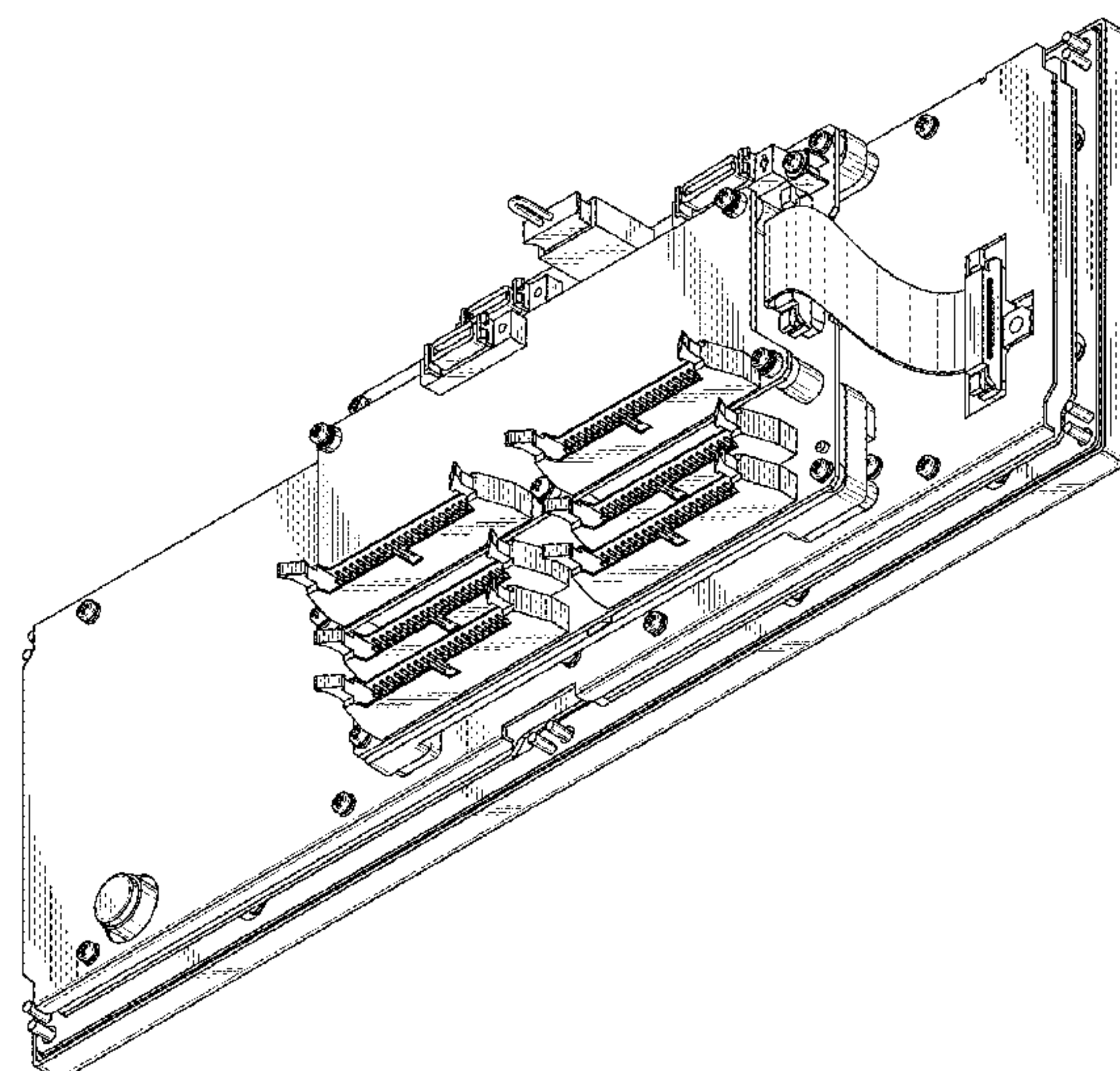
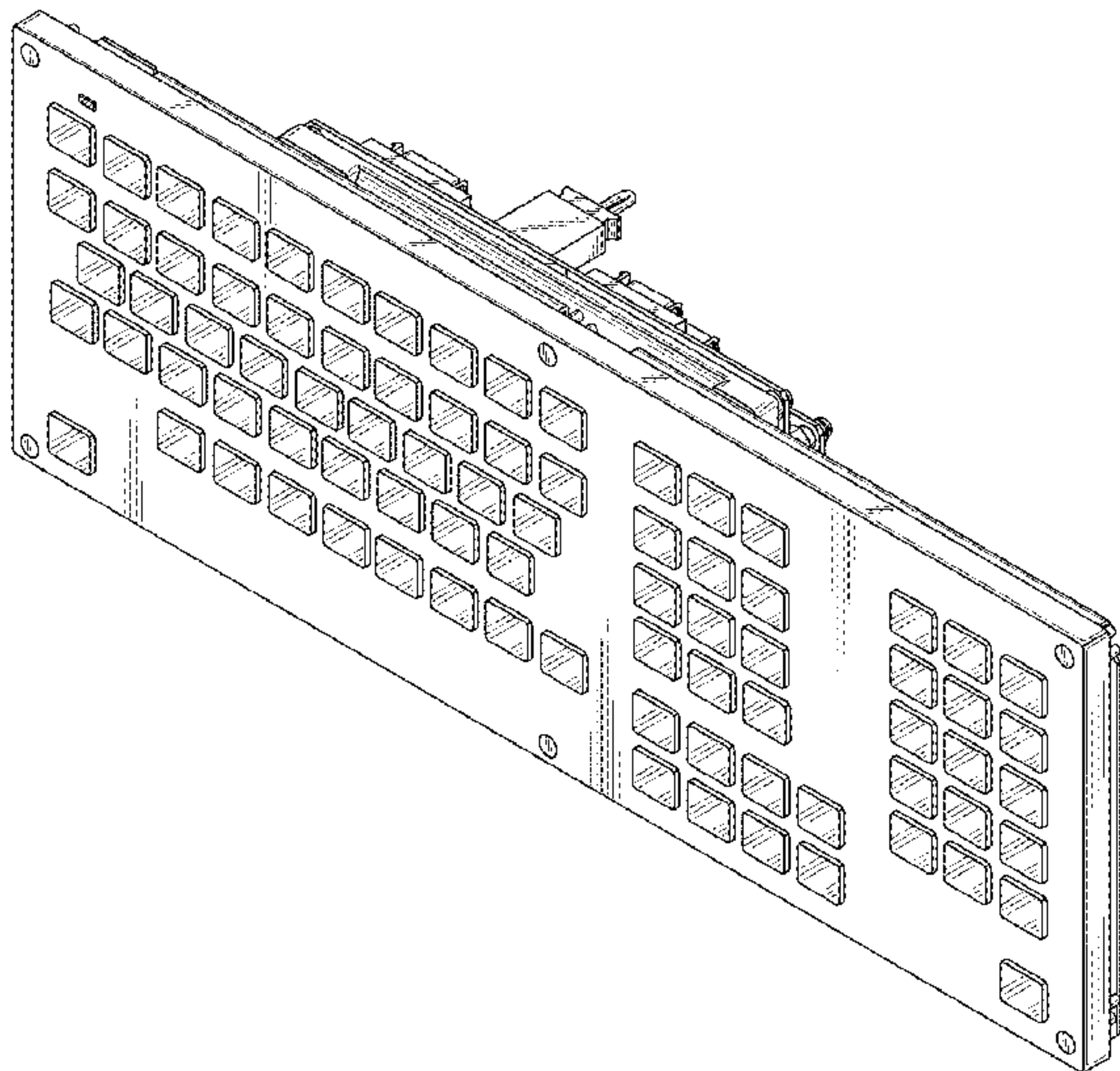
(57) **CLAIM**

The ornamental design for data entry device for numerical controller, as shown and described.

DESCRIPTION

FIG. 1 is a front perspective view thereof of a data entry device for numerical controller, showing our new design; FIG. 2 is a rear perspective view thereof; FIG. 3 is a front elevational view thereof; FIG. 4 is a rear elevational view thereof; FIG. 5 is a left side elevational view thereof; FIG. 6 is a right side elevational view thereof; FIG. 7 is a top plan view thereof; and, FIG. 8 is a bottom plan view thereof.

1 Claim, 8 Drawing Sheets



(56)

References Cited

U.S. PATENT DOCUMENTS

2012/0268240 A1 10/2012 Frerking
2015/0205287 A1 7/2015 Igarashi et al.
2016/0048121 A1 2/2016 Shinohara et al.
2016/0113130 A1 4/2016 Le et al.

* cited by examiner

FIG. 1

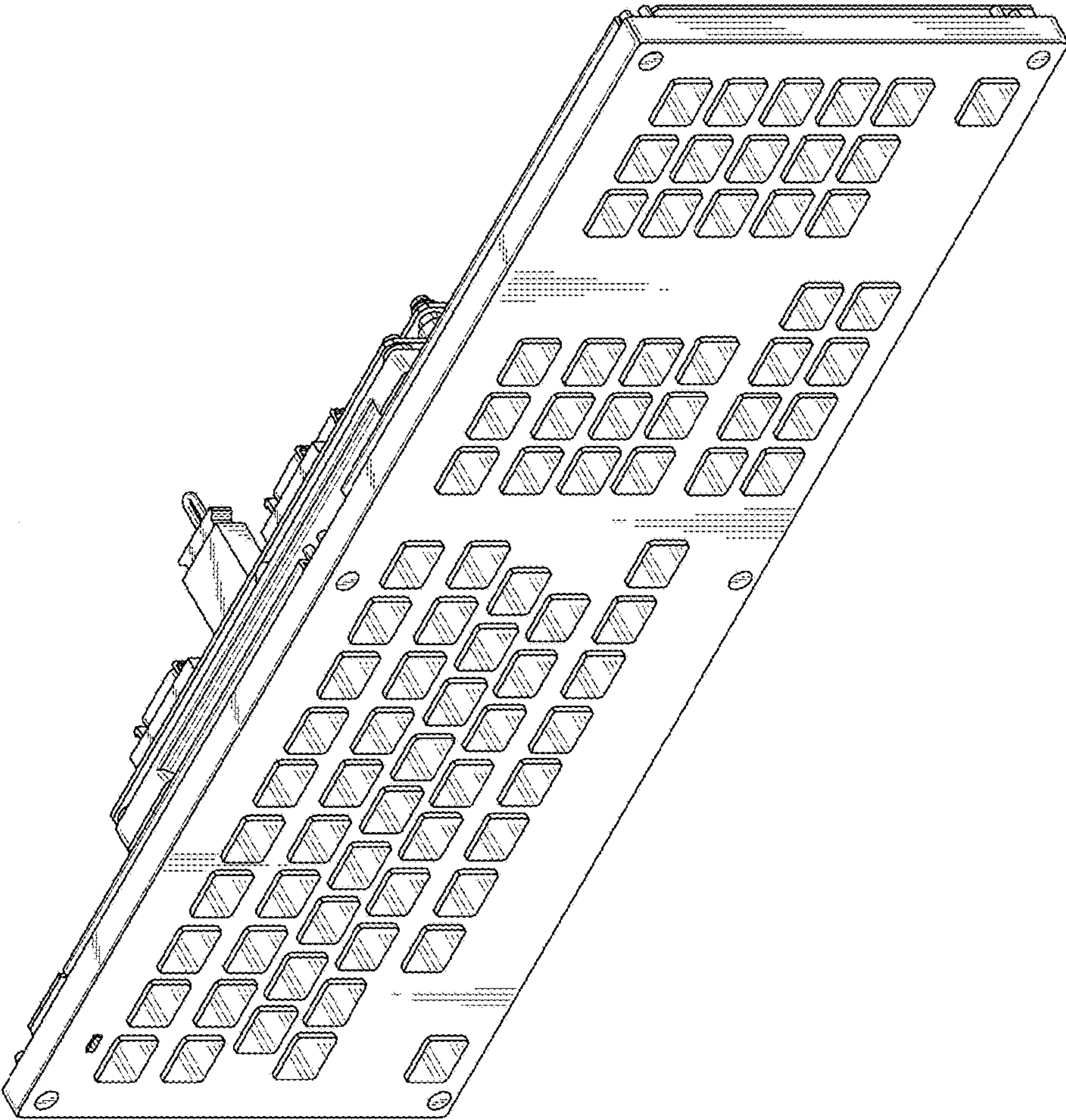


FIG. 2

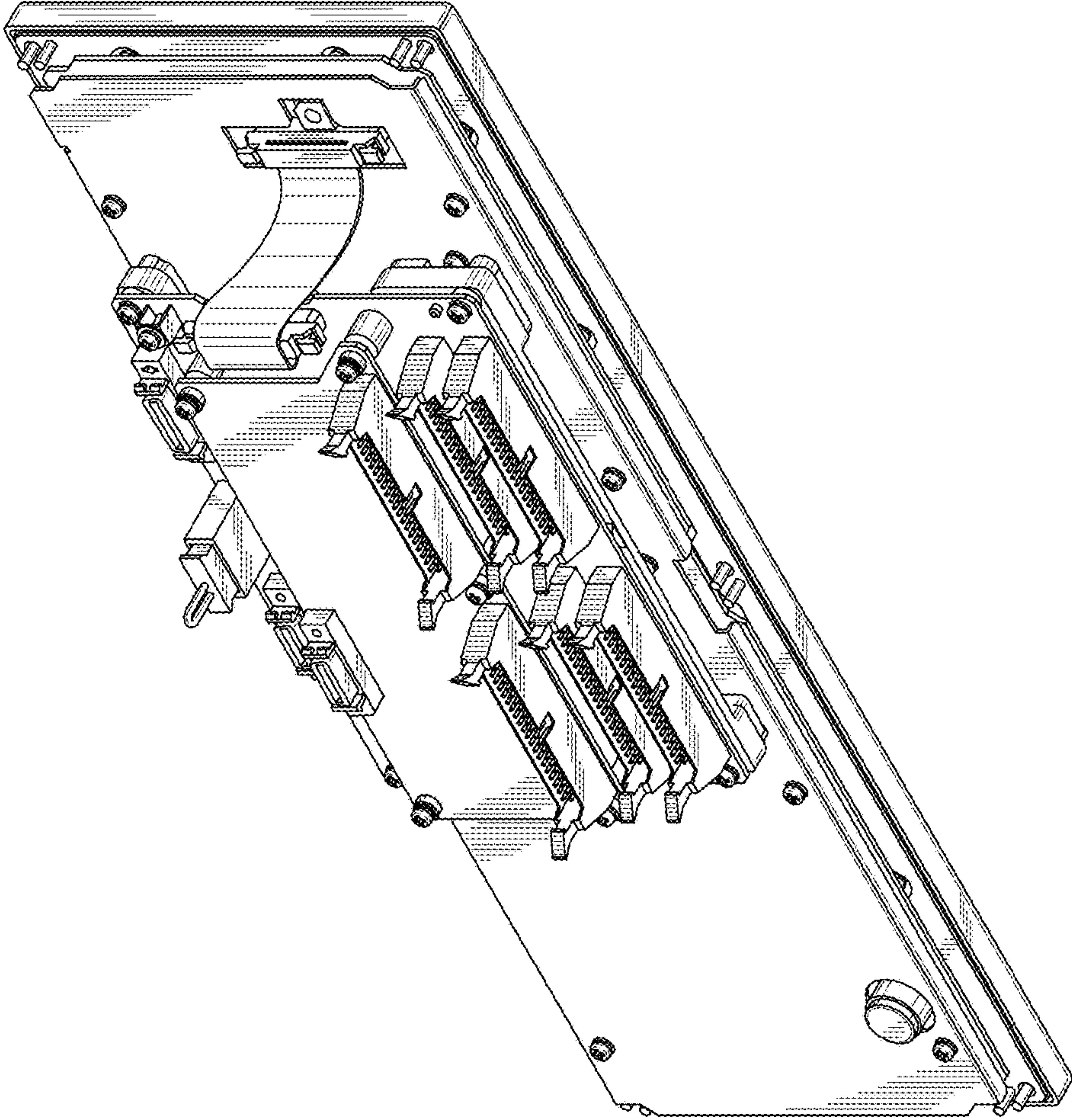


FIG. 3

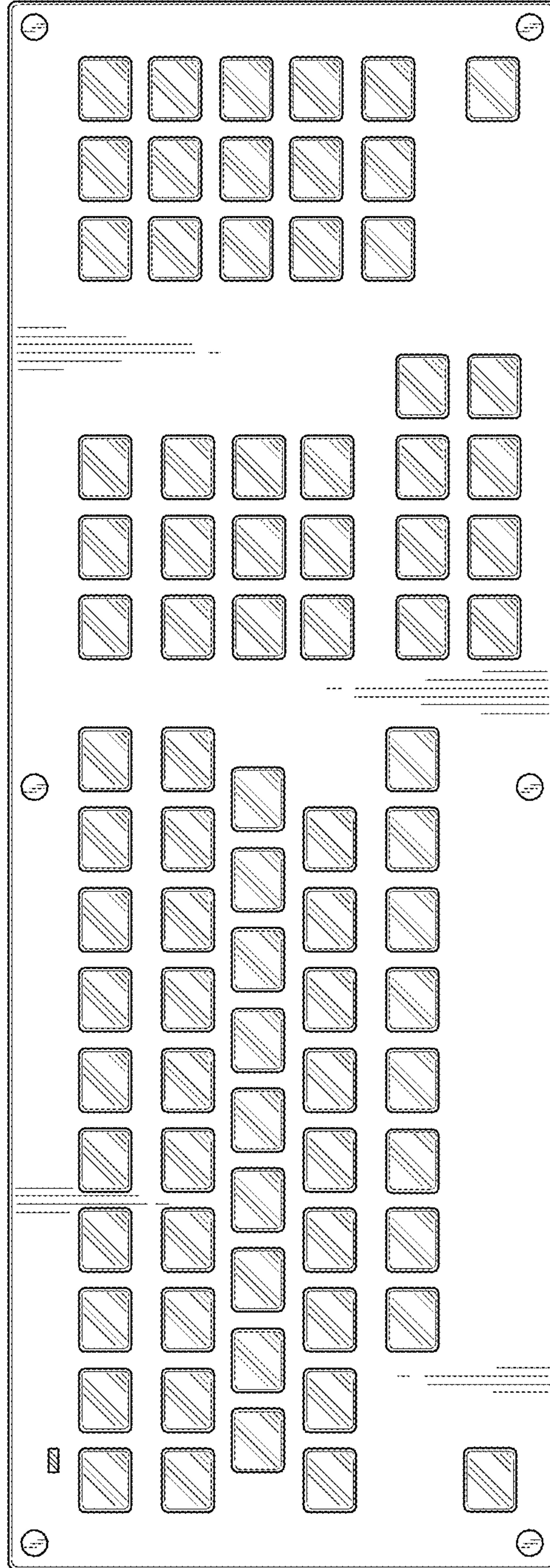


FIG. 4

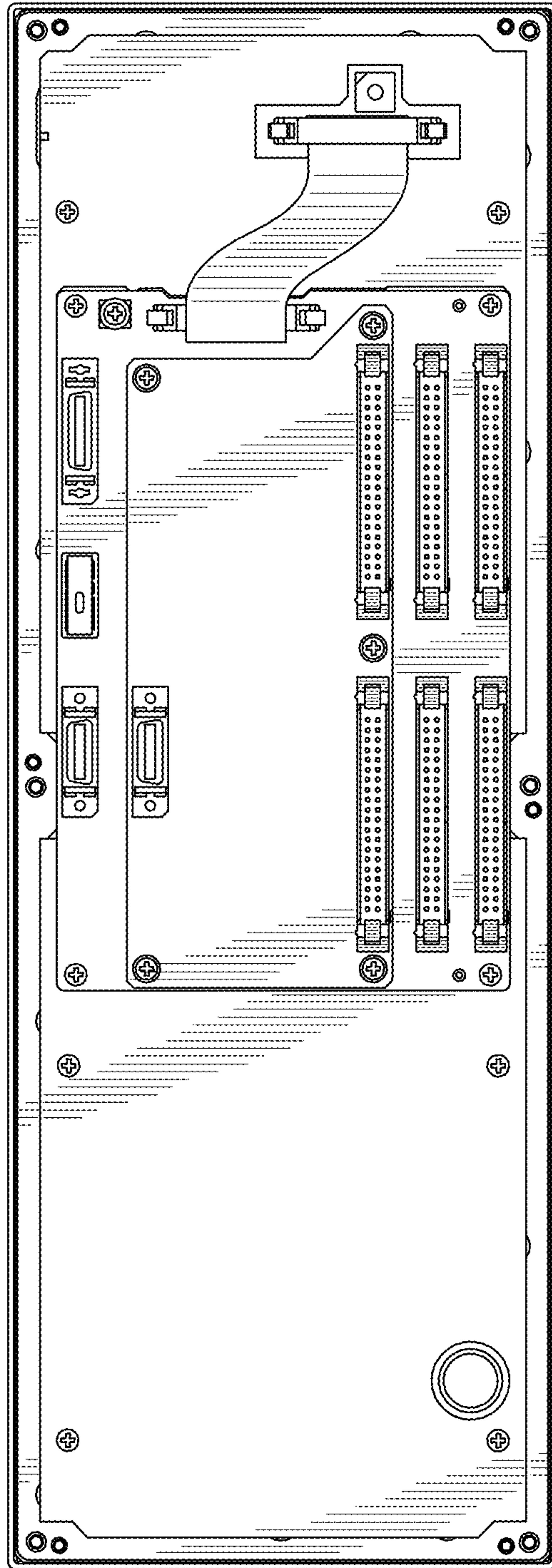


FIG. 5

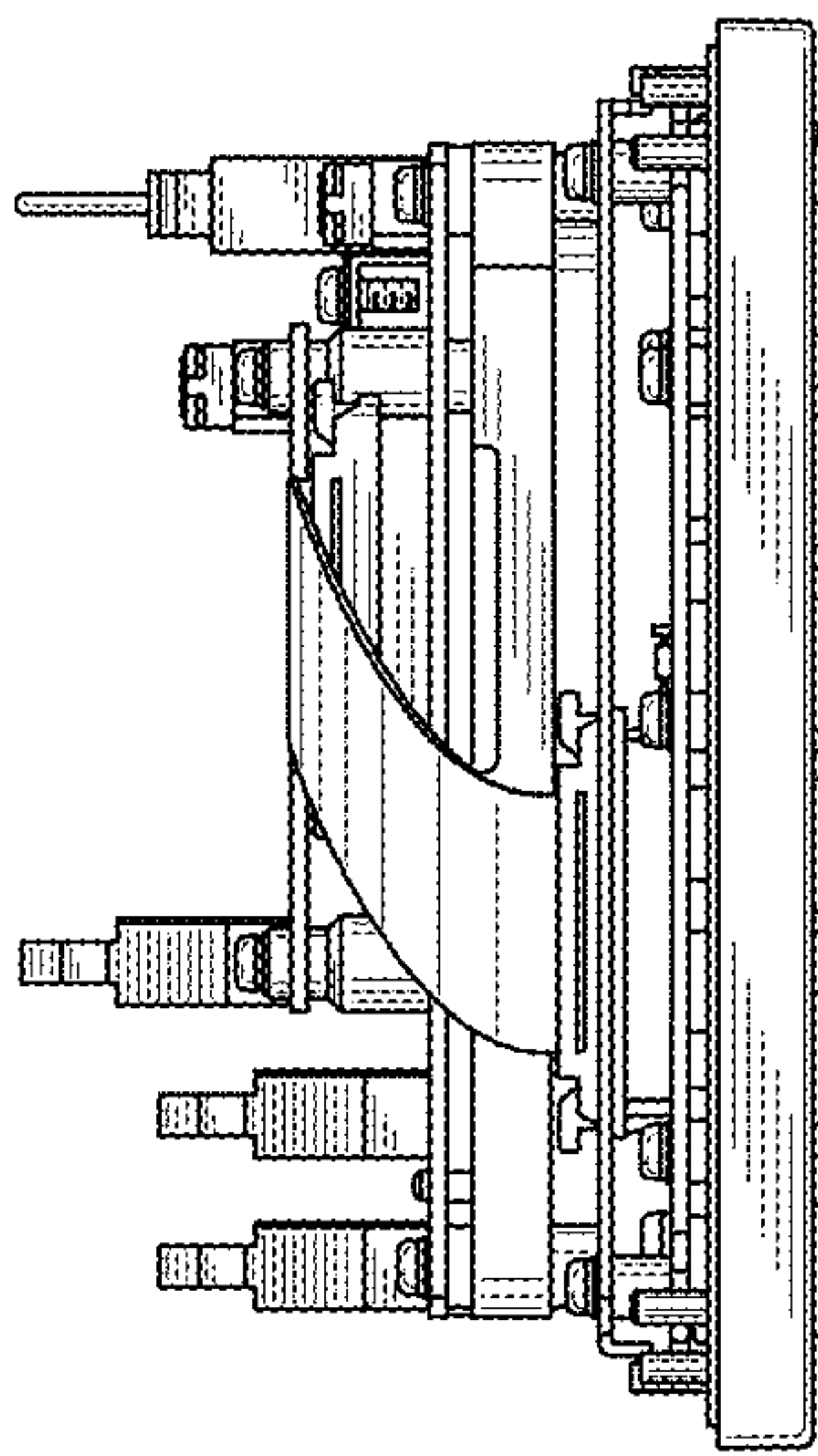


FIG. 6

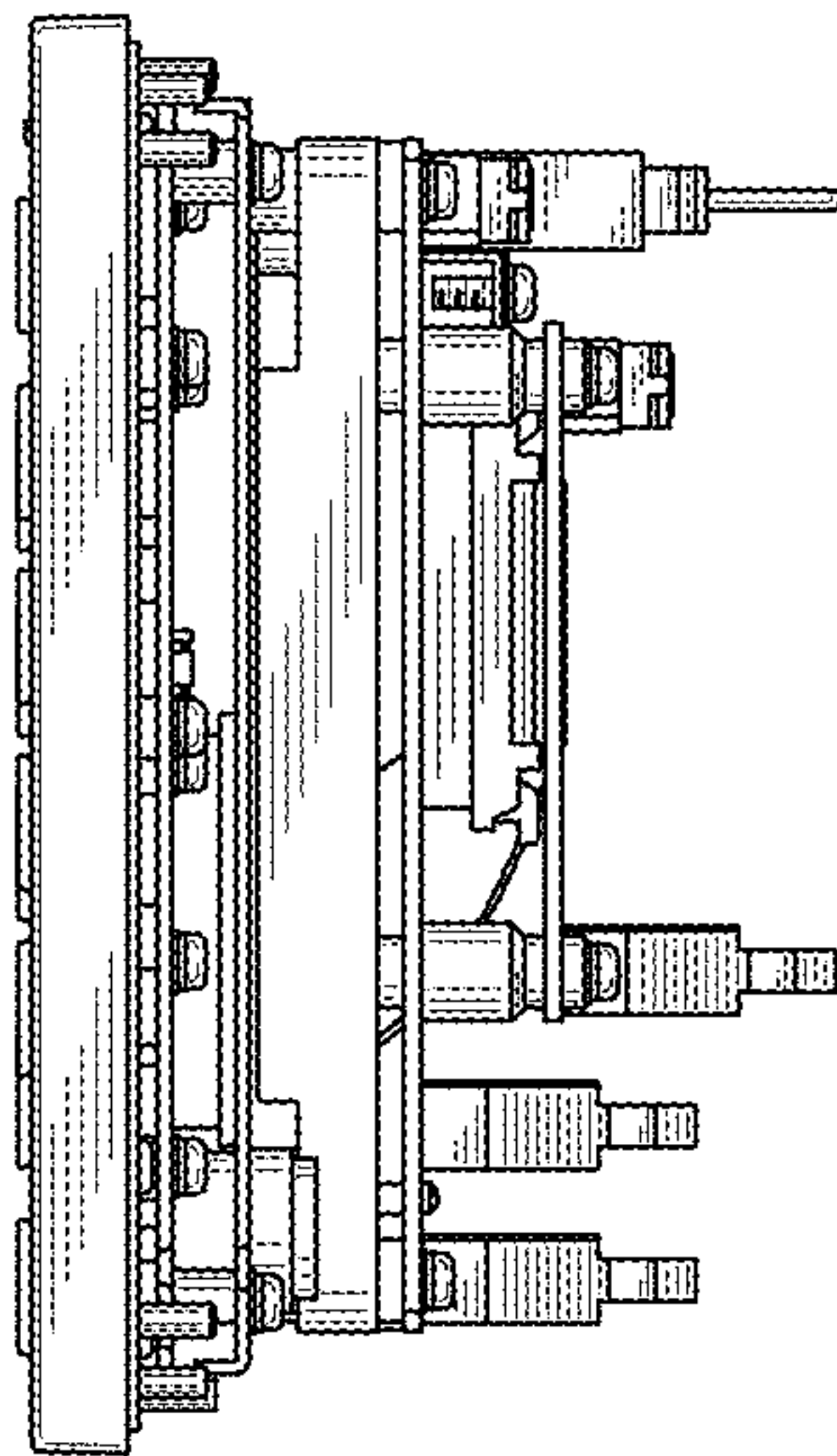


FIG. 7

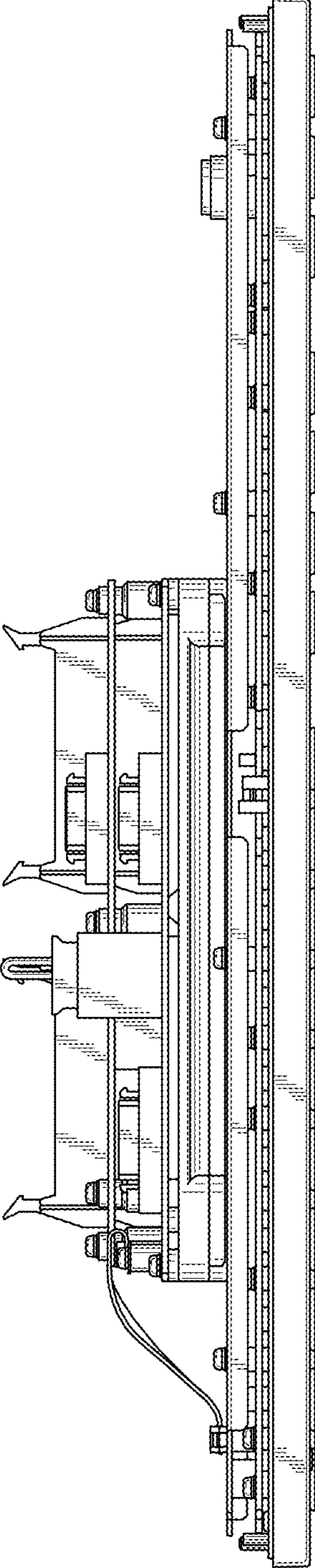


FIG. 8

