



US00D797056S

(12) **United States Design Patent**  
**Landqvist**

(10) **Patent No.:** **US D797,056 S**

(45) **Date of Patent:** **\*\* Sep. 12, 2017**

(54) **HIGH DENSITY FRAME**

(71) Applicant: **Roxtec AB**, Karlskrona (SE)

(72) Inventor: **Jörgen Landqvist**, Karlskrona (SE)

(73) Assignee: **Roxtec AB**, Karlskrona (SE)

(\*\*) Term: **14 Years**

(21) Appl. No.: **29/507,156**

(22) Filed: **Oct. 24, 2014**

(30) **Foreign Application Priority Data**

Apr. 25, 2014 (EM) ..... 002453464-0005  
Apr. 25, 2014 (EM) ..... 002453464-0006

(51) **LOC (10) Cl.** ..... **13-03**

(52) **U.S. Cl.**  
USPC ..... **D13/155**

(58) **Field of Classification Search**

USPC ..... D13/155, 133, 139.3, 139.4, 152, 154,  
D13/156, 158, 162, 173, 184, 199;  
174/50, 53, 54, 55, 60, 66, 67, 480, 482,  
174/486, 489, 490; 361/622, 624, 625,  
361/629, 641; 439/131, 135, 136, 138,  
439/142, 352, 367, 373, 535, 536, 604,  
439/606  
CPC ..... F16L 3/221; F16L 3/227; H05K 5/0217;  
H02G 3/14; H02G 3/081; H01R 13/424;  
H01R 13/447  
See application file for complete search history.

(56) **References Cited**

**U.S. PATENT DOCUMENTS**

D316,400 S \* 4/1991 Moriai ..... D13/133  
D343,825 S \* 2/1994 Enderby ..... D13/152

6,561,466 B1 \* 5/2003 Myers ..... F16L 3/227  
248/68.1  
8,074,945 B2 \* 12/2011 Schoenau ..... F16L 3/222  
248/316.6  
D674,350 S \* 1/2013 Hodge ..... D13/155  
D752,517 S \* 3/2016 Scott ..... D13/139.4  
2010/0108825 A1 \* 5/2010 Brock ..... F16L 1/06  
248/73

\* cited by examiner

*Primary Examiner* — Derrick Holland

(74) *Attorney, Agent, or Firm* — Merchant & Gould P.C.

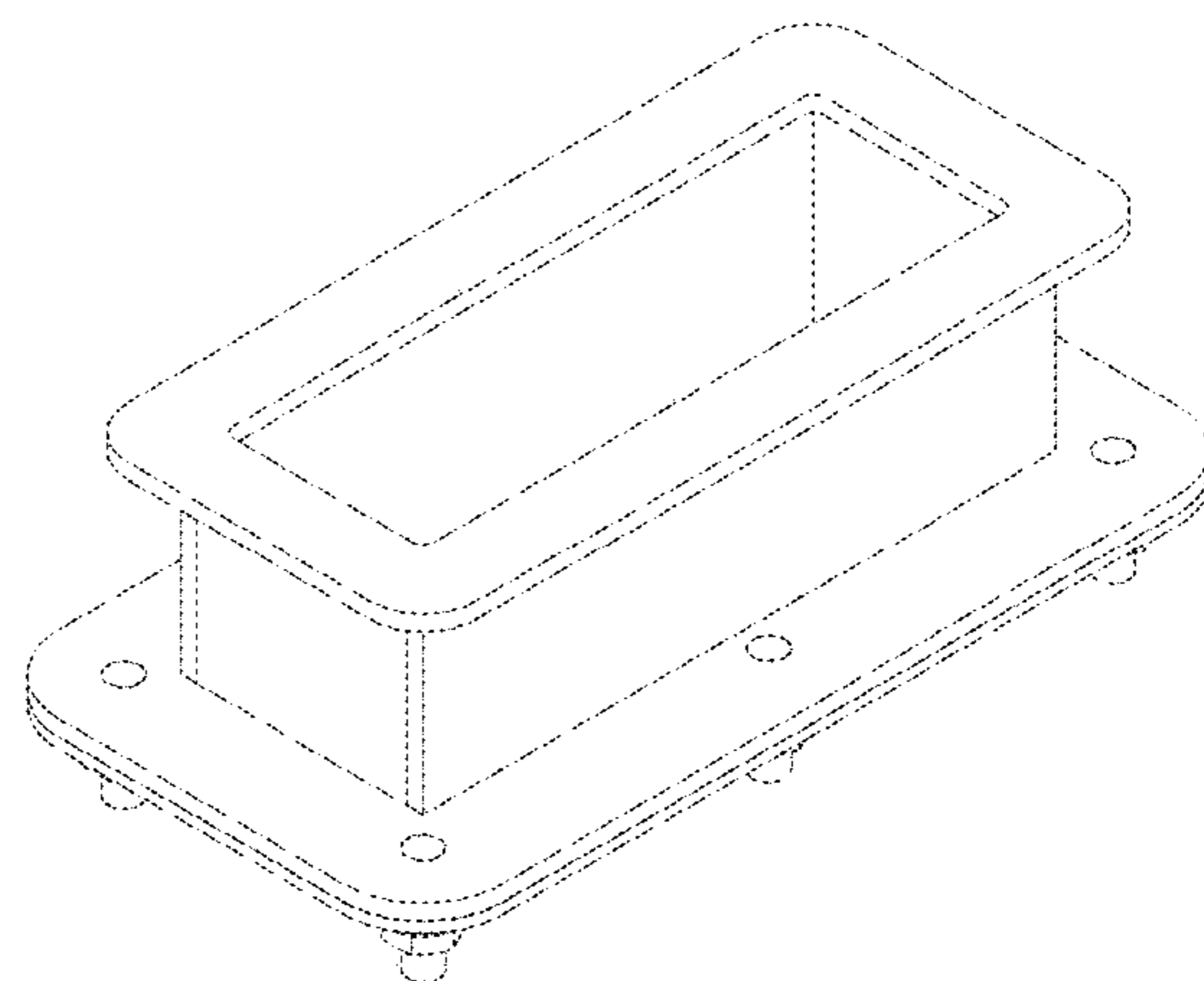
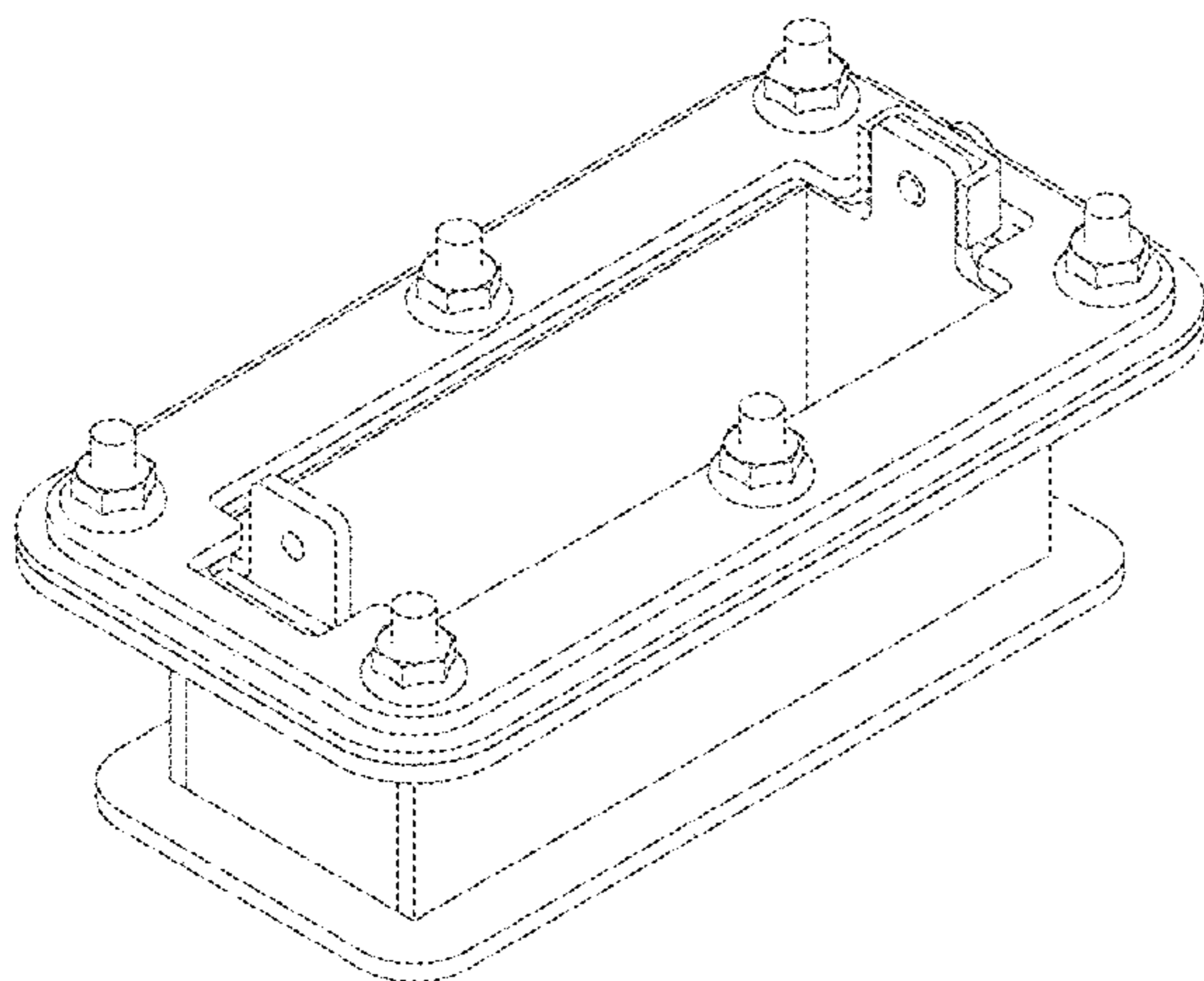
(57) **CLAIM**

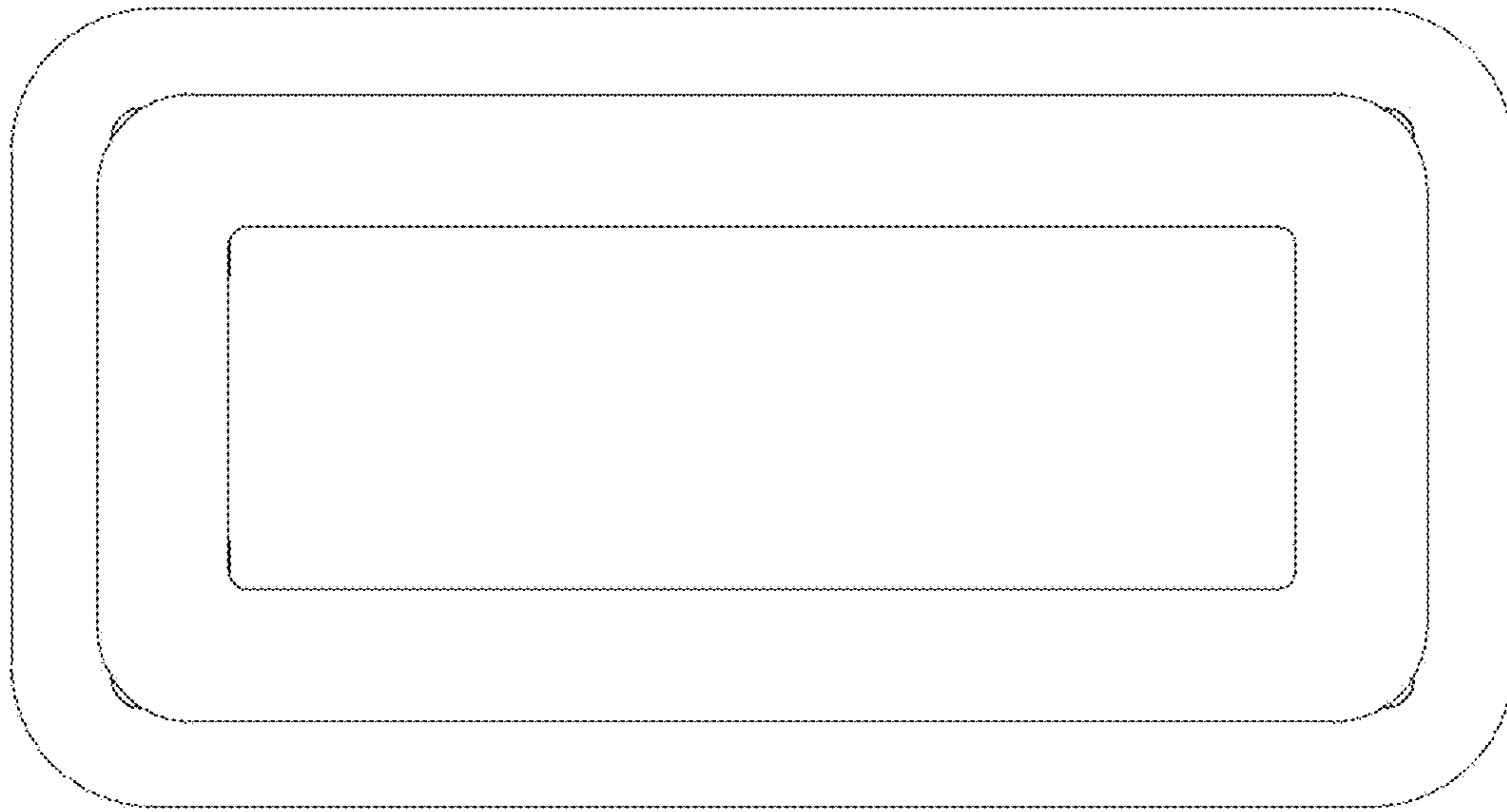
The ornamental design for a high density frame, as shown and described.

**DESCRIPTION**

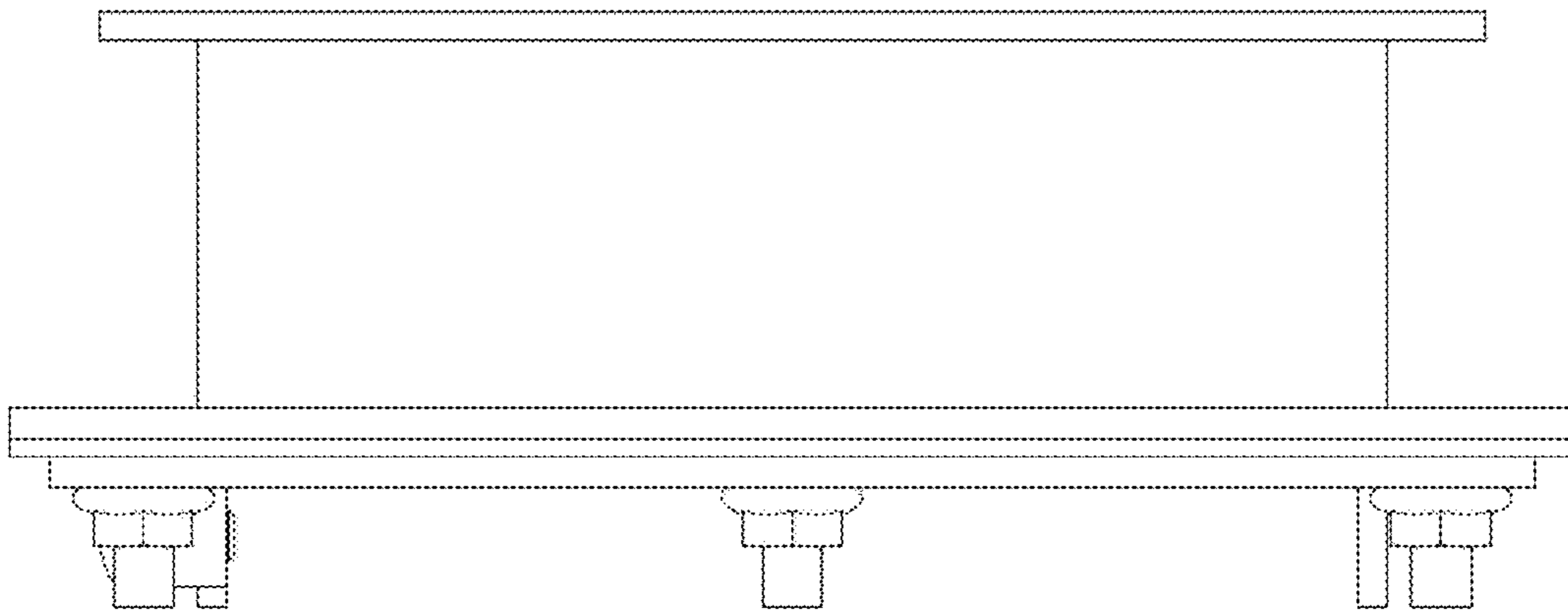
FIG. 1 is a front view of a high density frame showing my new design.  
FIG. 2 is a side view.  
FIG. 3 is a back view.  
FIG. 4 is an enlarged first short side view.  
FIG. 5 is an enlarged second short side view.  
FIG. 6 is a back perspective view.  
FIG. 7 is a front perspective view.  
FIG. 8 is a front view of a second embodiment of the frame.  
FIG. 9 is a first short side view of a frame from FIG. 1.  
FIG. 10 is a side view of a frame from FIG. 1.  
FIG. 11 is a second short side view of a frame from FIG. 1.  
FIG. 12 is a back view of a frame from FIG. 1.  
FIG. 13 is a top perspective view showing a frame from FIG. 1; and,  
FIG. 14 is a back perspective view showing a frame from FIG. 1.

**1 Claim, 11 Drawing Sheets**





**FIGURE 1**



**FIGURE 2**

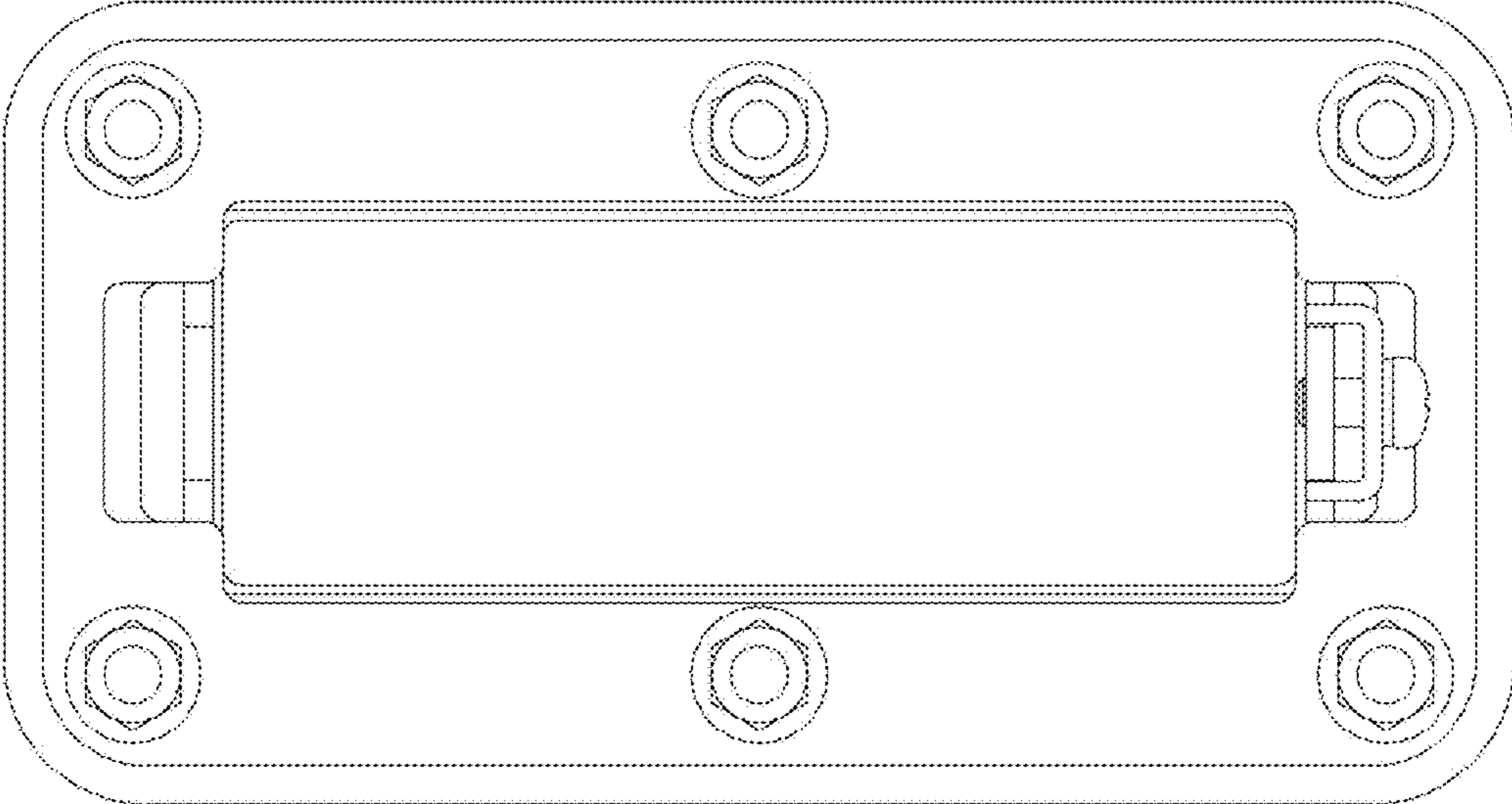


FIGURE 3

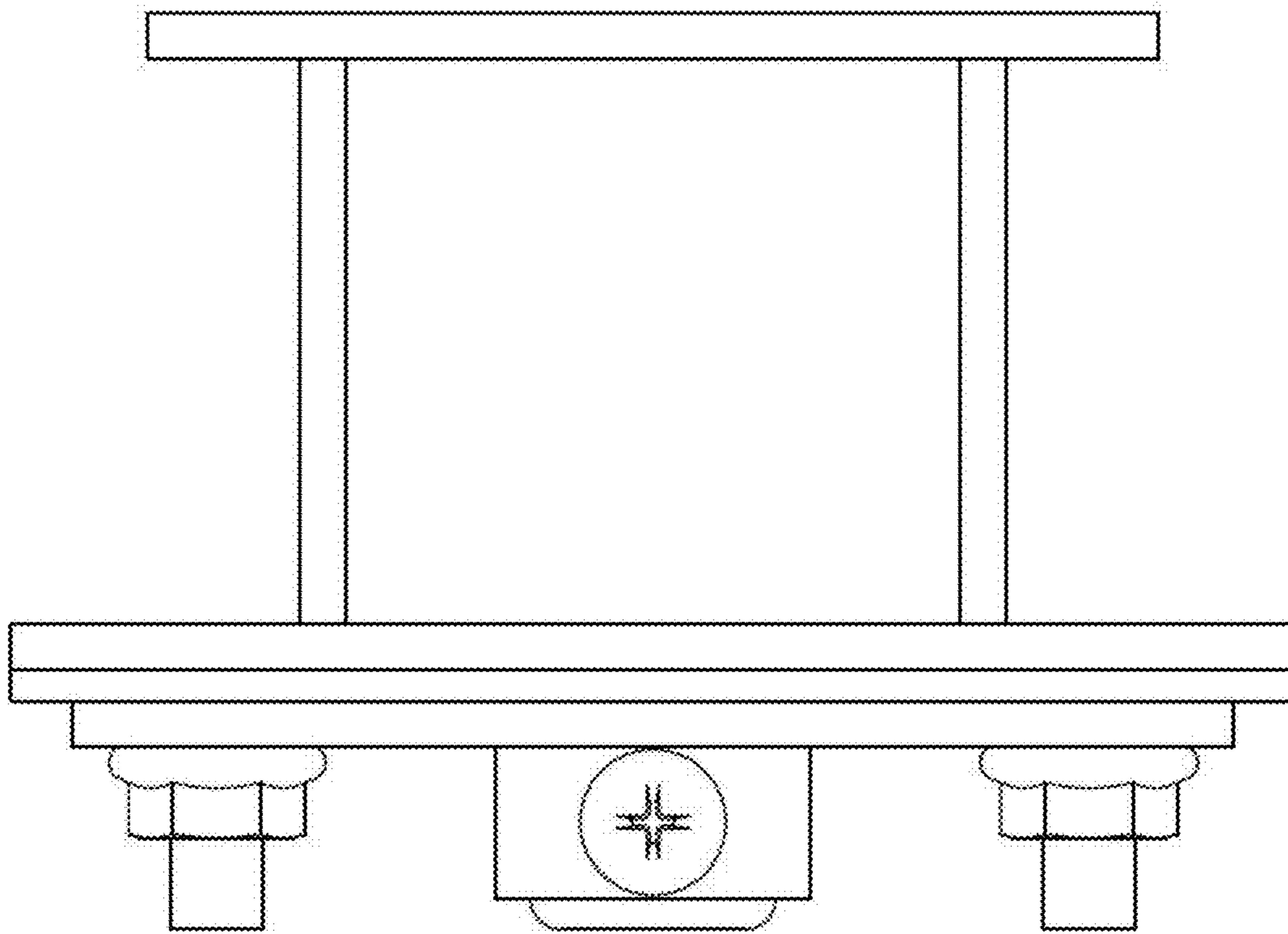


FIGURE 4

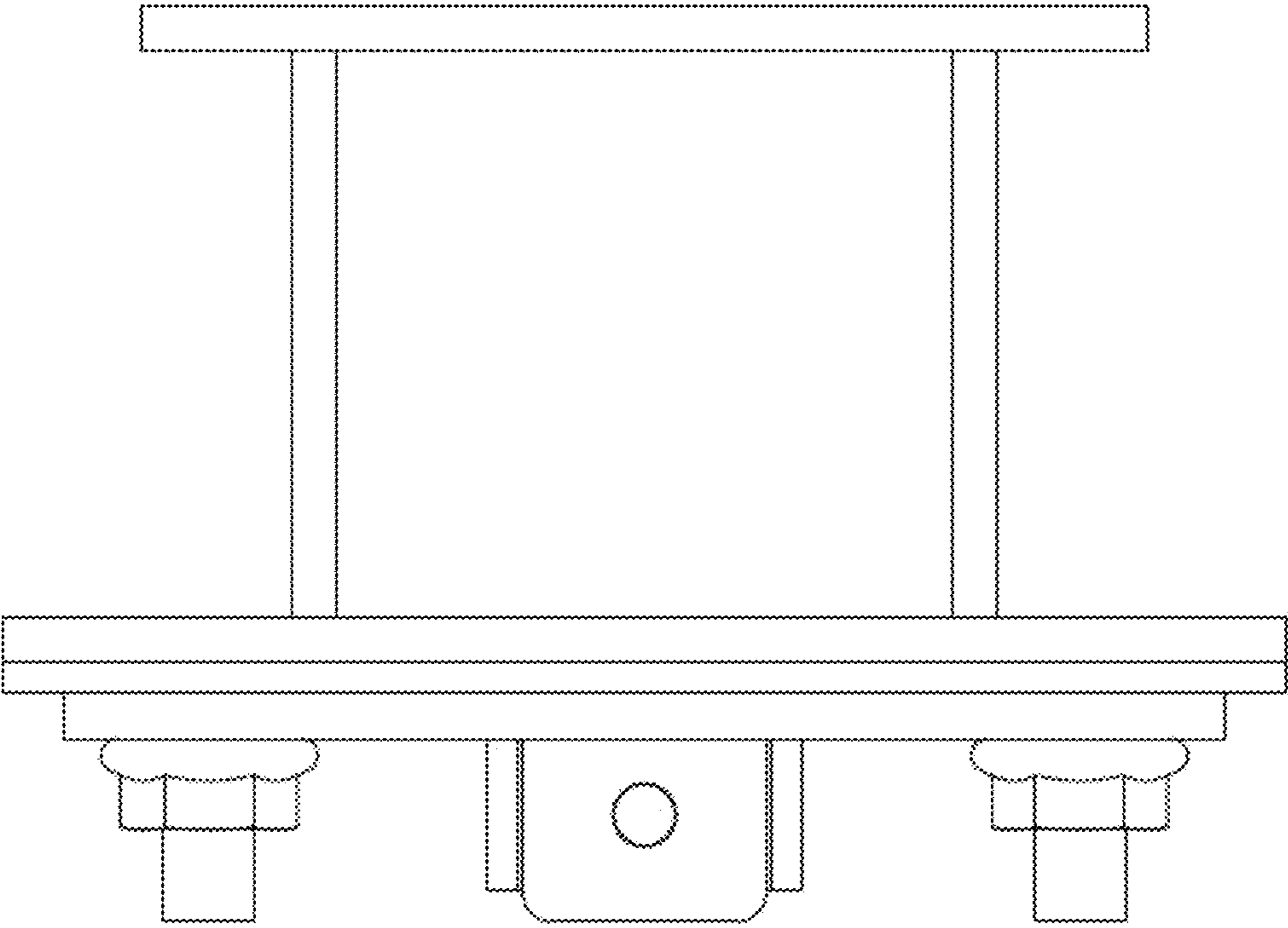


FIGURE 5

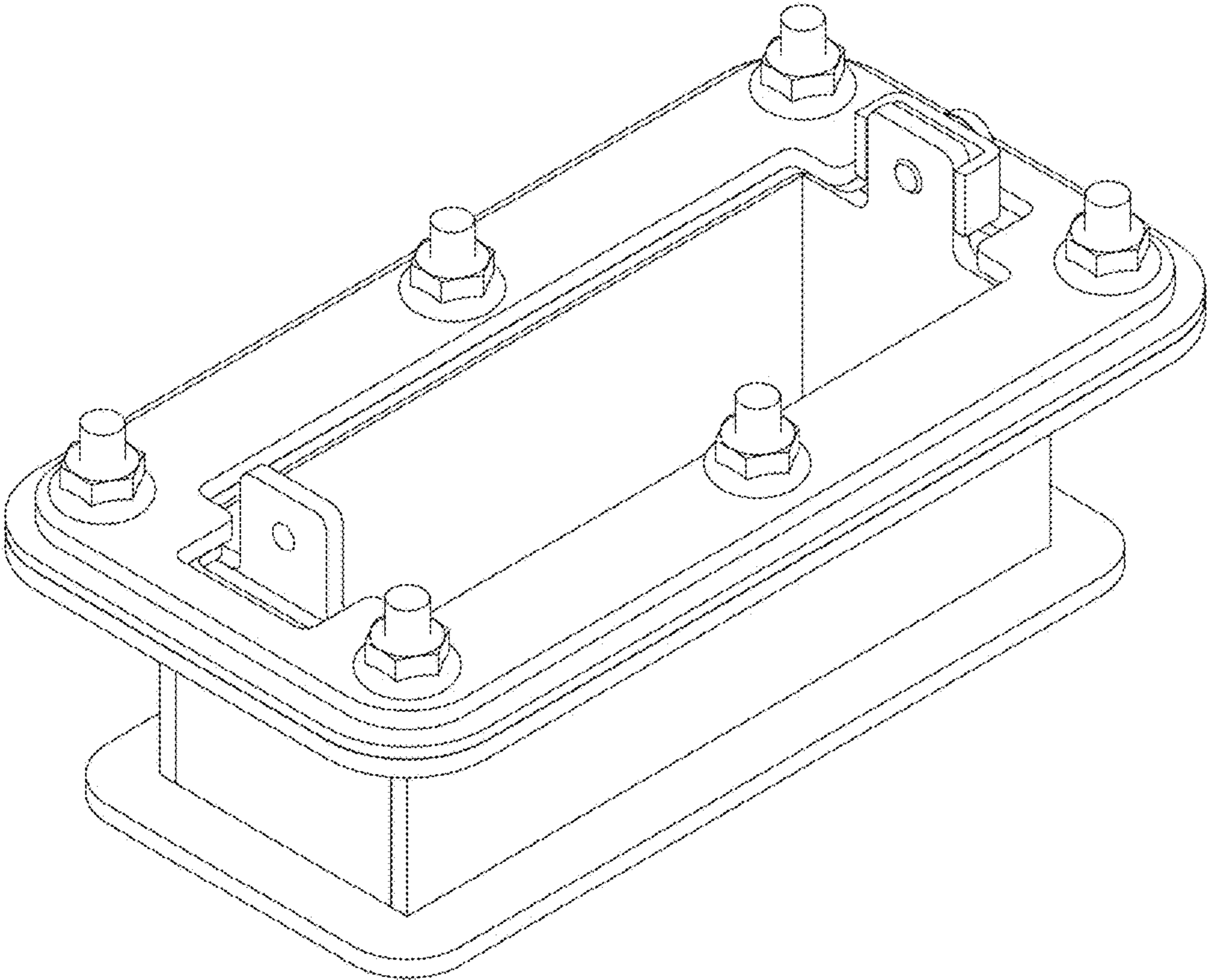


FIGURE 6

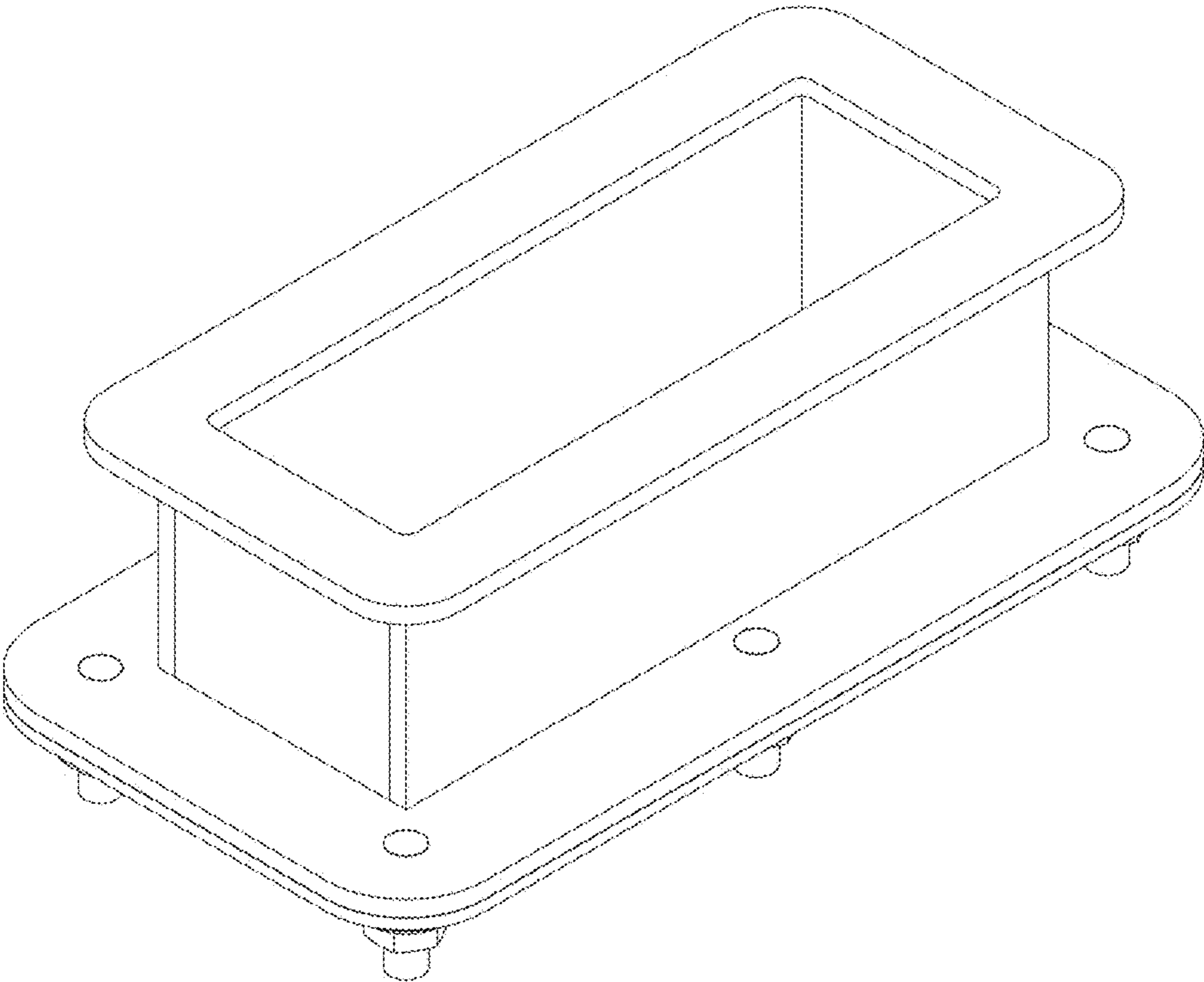


FIGURE 7

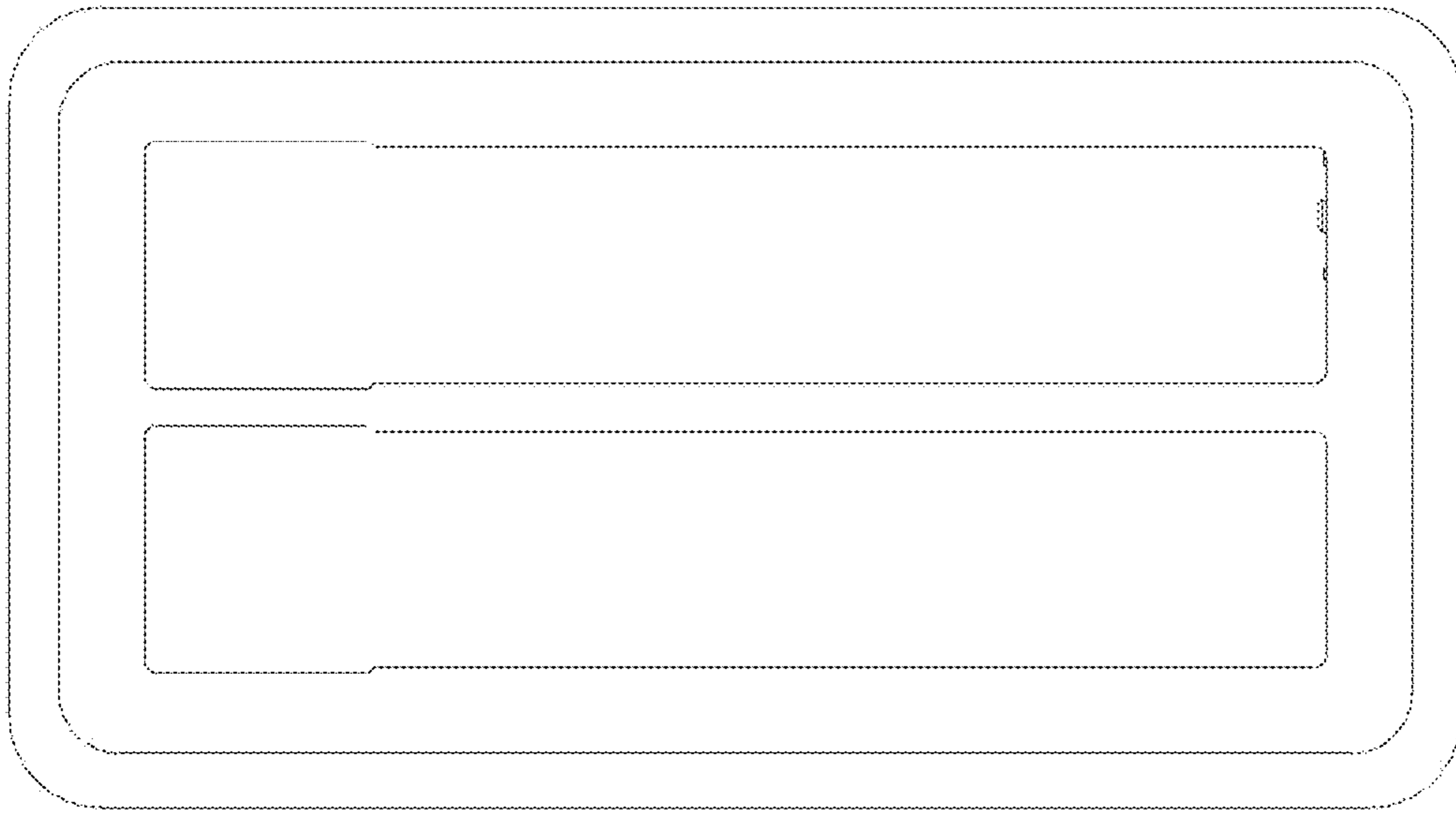


FIGURE 8

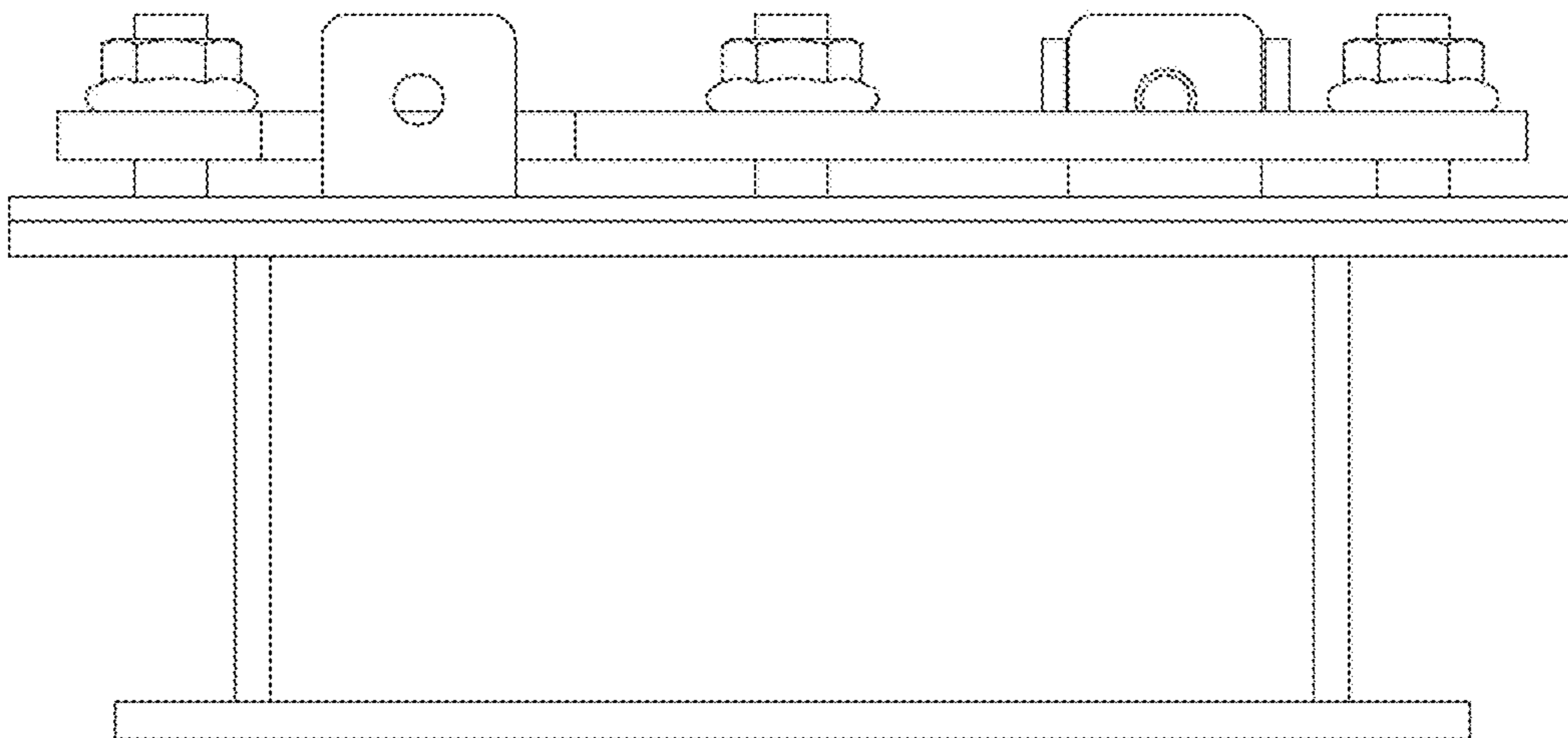


FIGURE 9



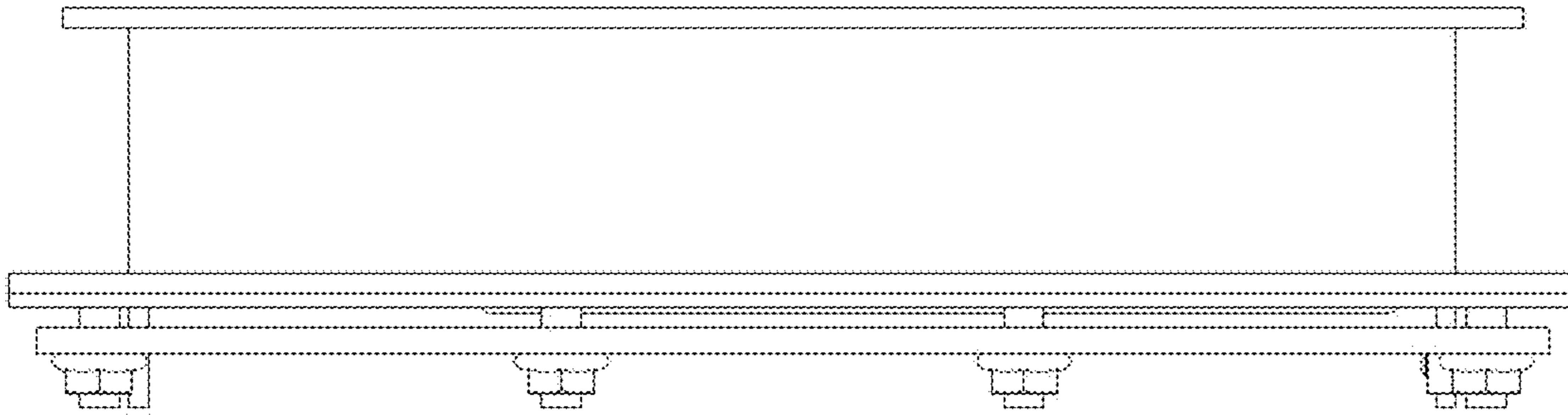


FIGURE 10

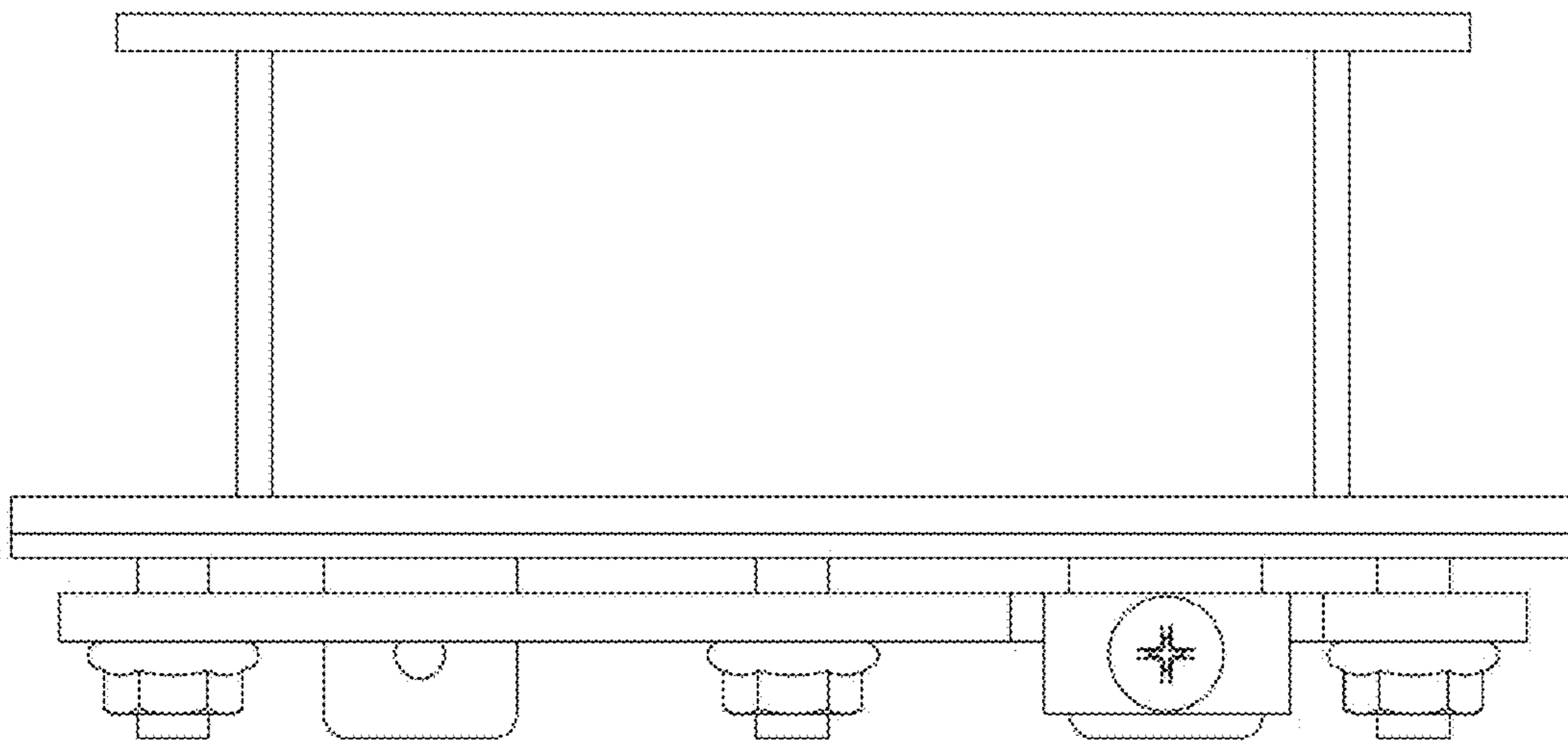


FIGURE 11

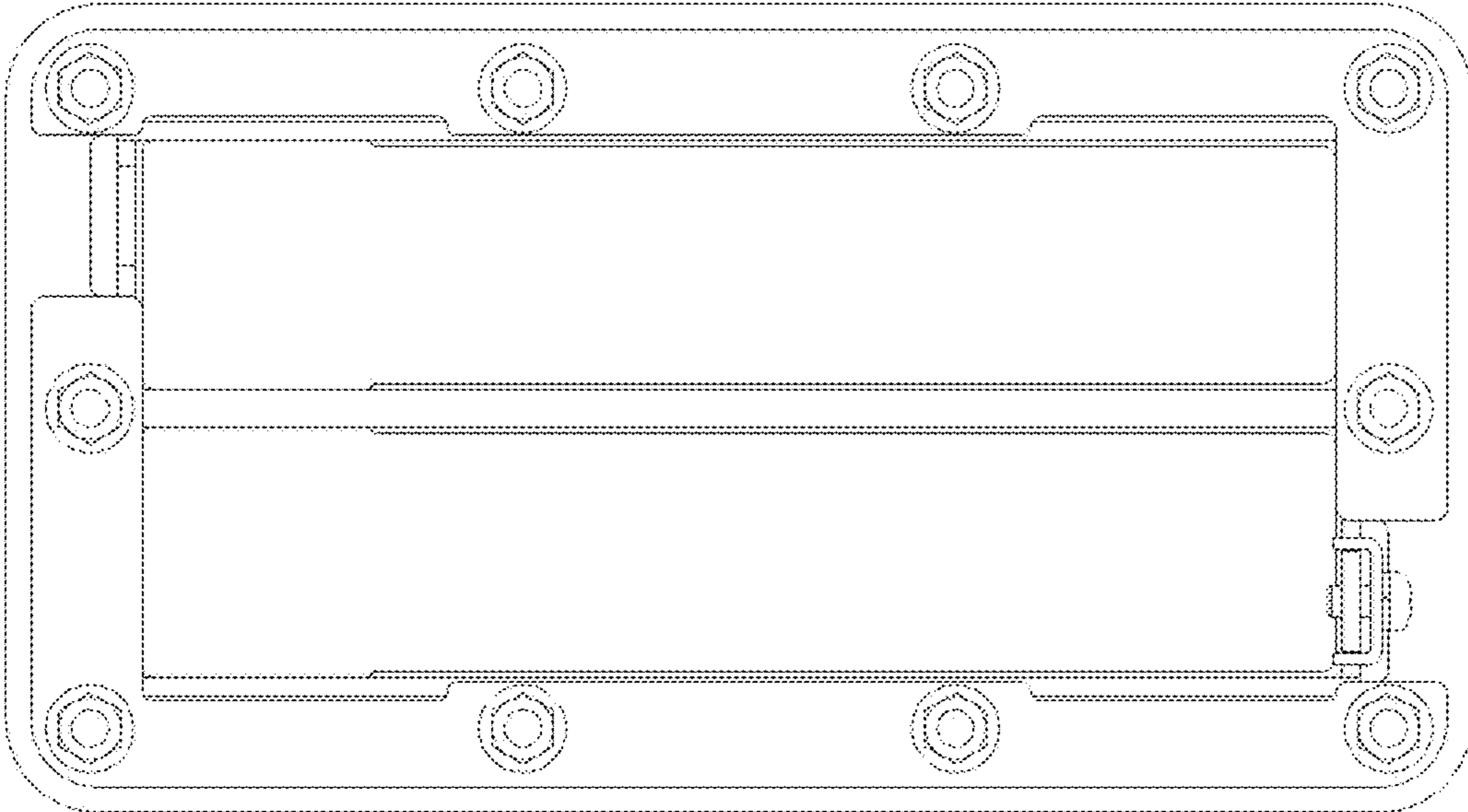


FIGURE 12

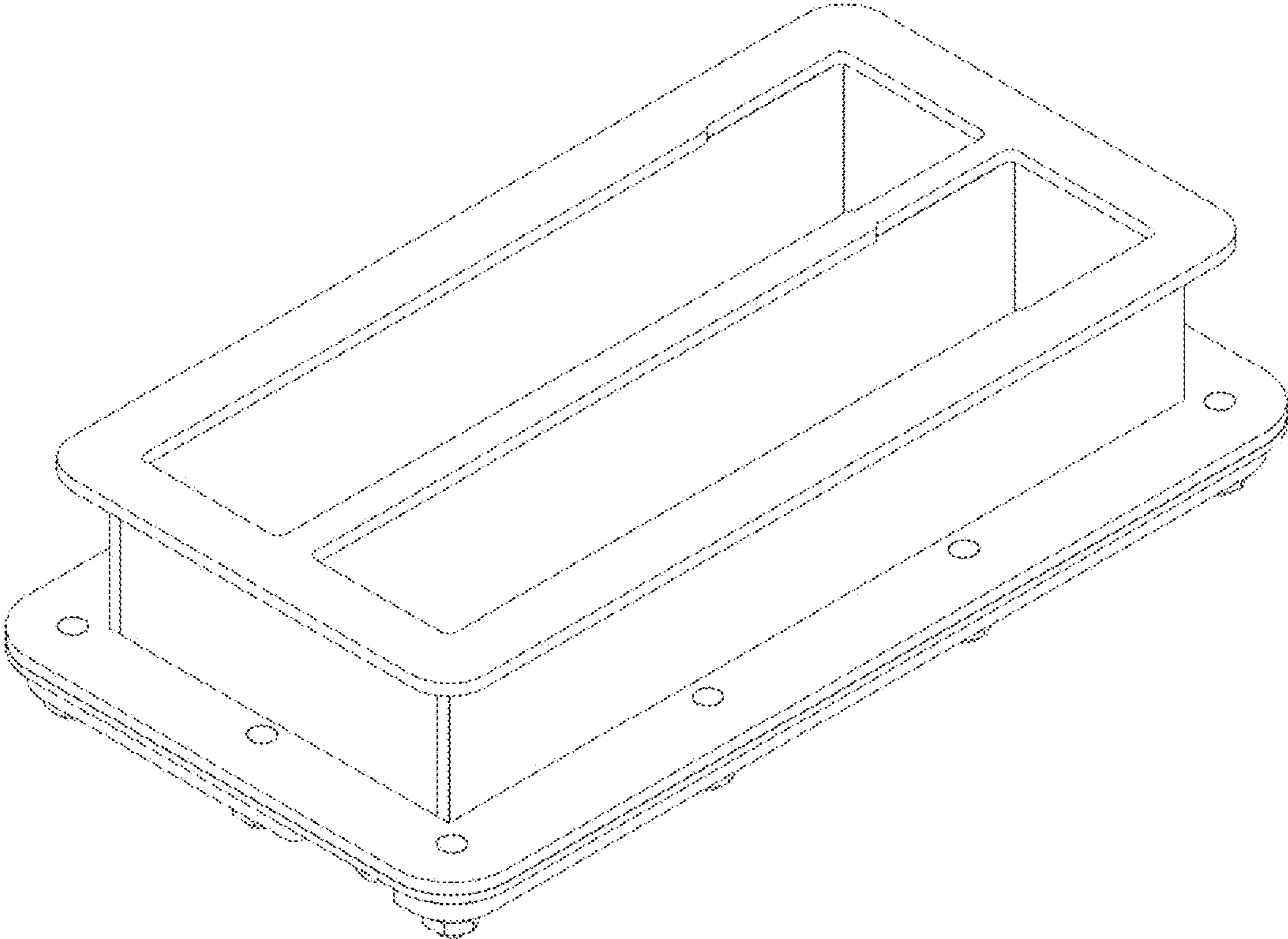


FIGURE 13

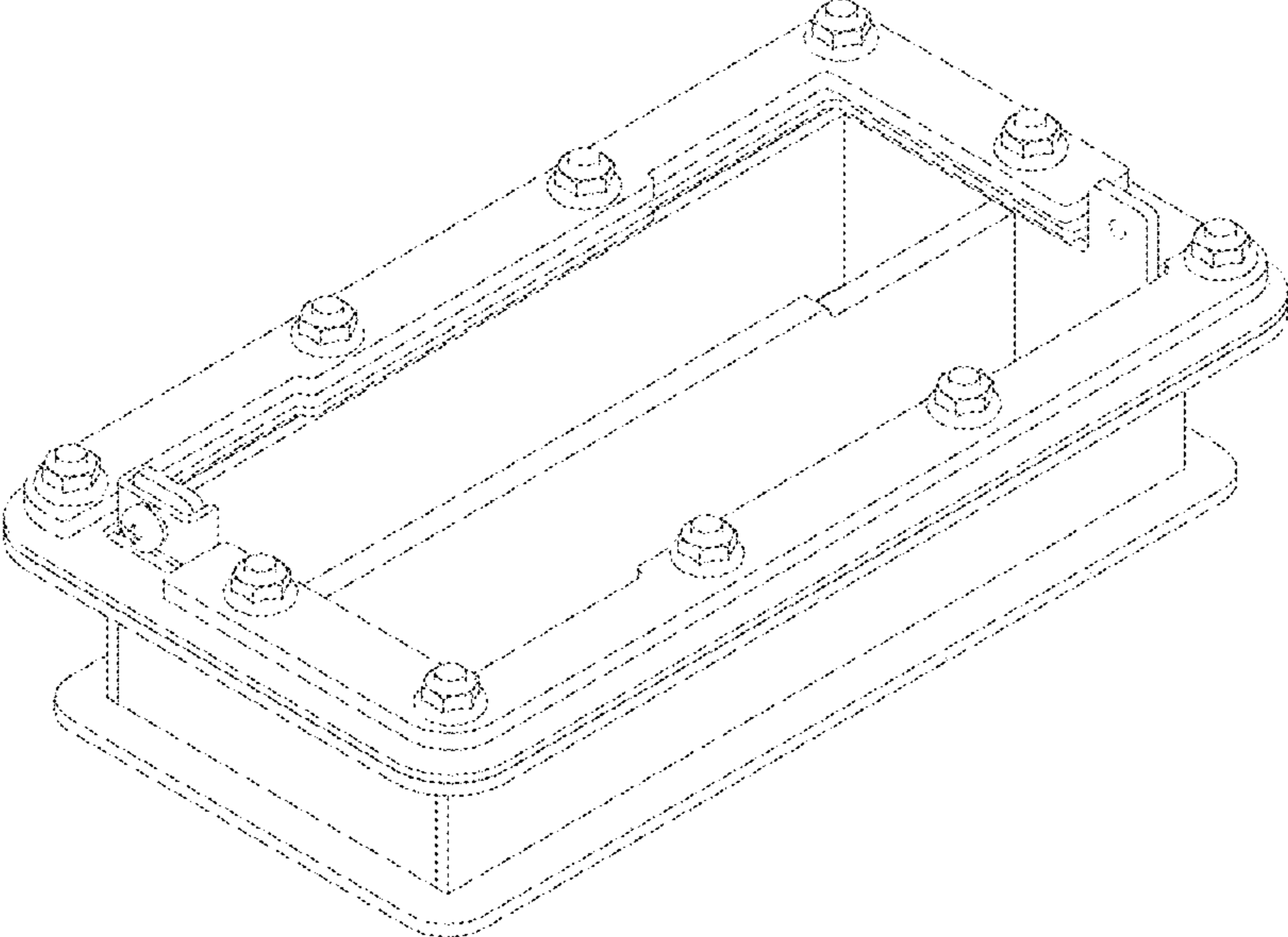


FIGURE 14