



US00D797055S

(12) **United States Design Patent**
Mallette et al.

(10) **Patent No.:** **US D797,055 S**

(45) **Date of Patent:** **** Sep. 12, 2017**

(54) **CONNECTOR**

(71) Applicant: **Orica International Pte Ltd,**
Singapore (SG)

(72) Inventors: **Daniel Mallette,** Saint-Colomban (CA);
Pier-Paul Sauve, Hawkesbury (CA)

(73) Assignee: **Orica International Pte Ltd,**
Singapore (SG)

(**) Term: **14 Years**

(21) Appl. No.: **29/525,079**

(22) Filed: **Apr. 27, 2015**

(30) **Foreign Application Priority Data**

Nov. 5, 2014 (AU) 201415645

(51) **LOC (10) Cl.** **13-03**

(52) **U.S. Cl.**
USPC **D13/149**

(58) **Field of Classification Search**

USPC D13/110, 118, 123, 133, 146-149, 151,
D13/154-156, 173, 184, 199; D22/112
(Continued)

(56) **References Cited**

U.S. PATENT DOCUMENTS

D316,398 S * 4/1991 Hill D13/120
5,499,581 A * 3/1996 Sutula, Jr. B29C 45/006
102/275.12

(Continued)

OTHER PUBLICATIONS

Uni tronic overview, dated Mar. 26, 2008, [online], [site visited Dec. 6, 2016]. Available from Internet, <URL: <https://www.youtube.com/watch?v=vty6yzK2e0Q>>.*

(Continued)

Primary Examiner — Thomas Johannes
Assistant Examiner — Shawn T Gingrich

(74) *Attorney, Agent, or Firm* — Saidman DeisgnLaw Group, LLC

(57) **CLAIM**

The ornamental design for a connector, as shown and described.

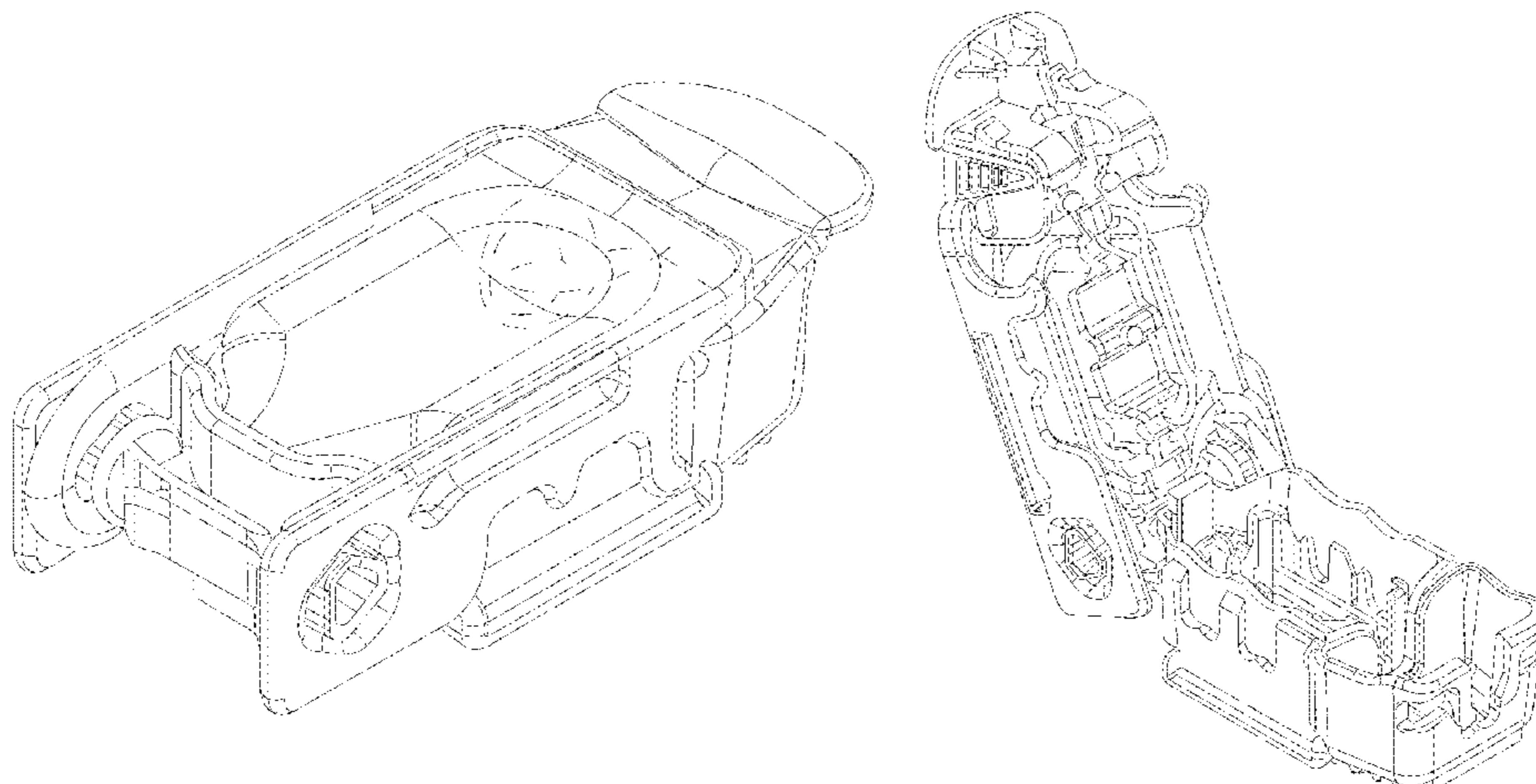
DESCRIPTION

FIG. 1 is a top front left perspective view of a connector in a closed position showing our new design;
FIG. 2 is a bottom front left perspective view thereof;
FIG. 3 is a top front right perspective view thereof;
FIG. 4 is a bottom front right perspective view thereof;
FIG. 5 is a front view thereof;
FIG. 6 is a left side view thereof;
FIG. 7 is a right side view thereof;
FIG. 8 is a top view thereof;
FIG. 9 is a bottom view thereof;
FIG. 10 is a top front right perspective view of the connector in a partially open position;
FIG. 11 is a top front left perspective view thereof;
FIG. 12 is a front view thereof;
FIG. 13 is a top front right perspective view of the connector in a half open position;
FIG. 14 is a front view thereof;
FIG. 15 is a top front right perspective view of the connector in a fully open position;
FIG. 16 is a bottom front left perspective view thereof;
FIG. 17 is a bottom front right perspective view thereof;
FIG. 18 is a top front left perspective view thereof;
FIG. 19 is a front view thereof;
FIG. 20 is a left side view thereof;
FIG. 21 is a right side view thereof;
FIG. 22 is a top view thereof; and,
FIG. 23 is a bottom view thereof.

The drawings include CAD lines that represent contour and not surface ornamentation.

The broken lines illustrate structure or features which form no part of the claimed design.

1 Claim, 23 Drawing Sheets



(58) **Field of Classification Search**

CPC H01R 13/53; H01R 13/52; H01R 13/56;
H01R 25/16; H01R 43/26; H01R 11/00;
H01R 13/62; H01R 24/00; H01R 24/64;
G01R 31/28; F42C 11/00; F42C 11/06;
F42B 3/121; F42B 4/00; F42B 4/18;
F42B 12/50; F42B 27/00; F42B 27/08
See application file for complete search history.

D649,519 S * 11/2011 Pineda D13/149
D760,171 S * 6/2016 Howard D13/155
2006/0030192 A1* 2/2006 Boeck H01R 13/6275
439/344
2009/0305543 A1* 12/2009 Boeck H01R 4/2433
439/344
2015/0340775 A1* 11/2015 Bartell H01R 4/2412
439/410
2016/0072235 A1* 3/2016 Strelow H01R 24/30
439/660
2016/0248201 A1* 8/2016 Wanschoor H01R 13/62922

(56) **References Cited**

U.S. PATENT DOCUMENTS

5,703,319 A * 12/1997 Fritz F42D 1/043
102/275.12
D405,423 S * 2/1999 Nakamura D13/156
D530,676 S * 10/2006 Schemm D13/133
D591,245 S * 4/2009 Iijima D13/156
D616,058 S * 5/2010 Kruger D22/112

OTHER PUBLICATIONS

I-kon II electronic Blasting System, dated May 12, 2015, [online],
[site visited Dec. 6, 2016]. Available from Internet, <URL: http://www.oricaminingservices.com/download/file_id_17703/>.*

* cited by examiner

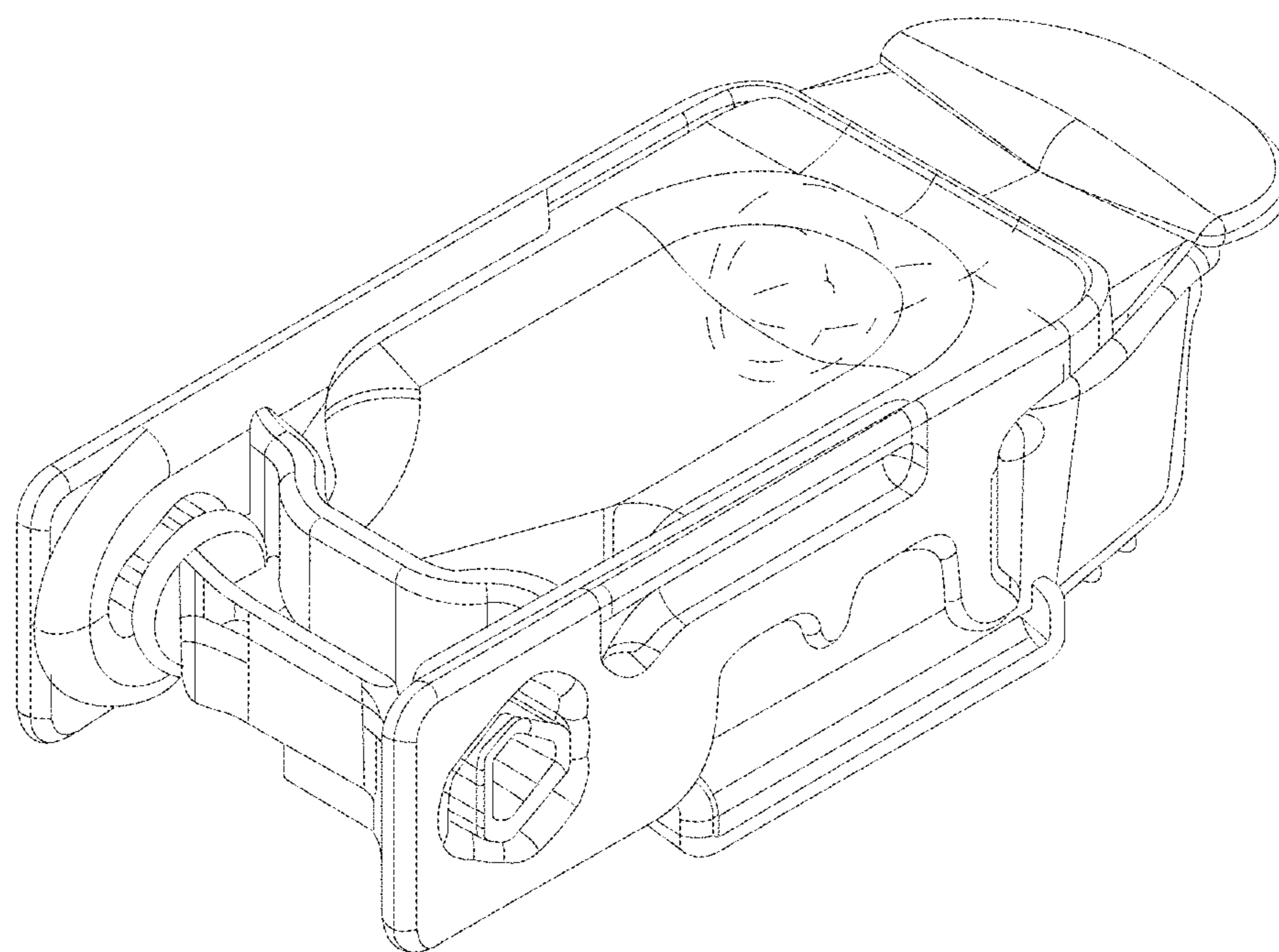


FIG. 1

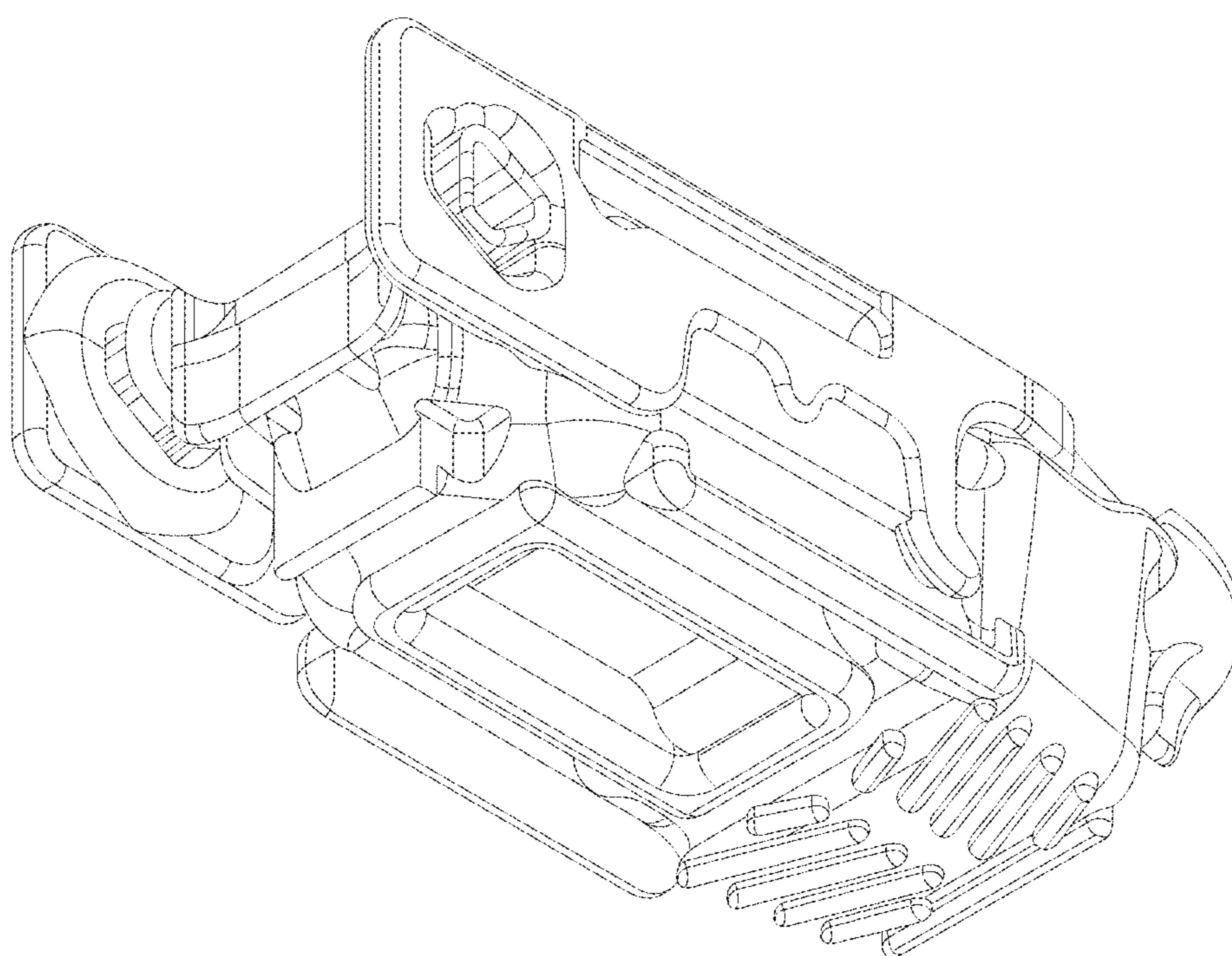


FIG. 2

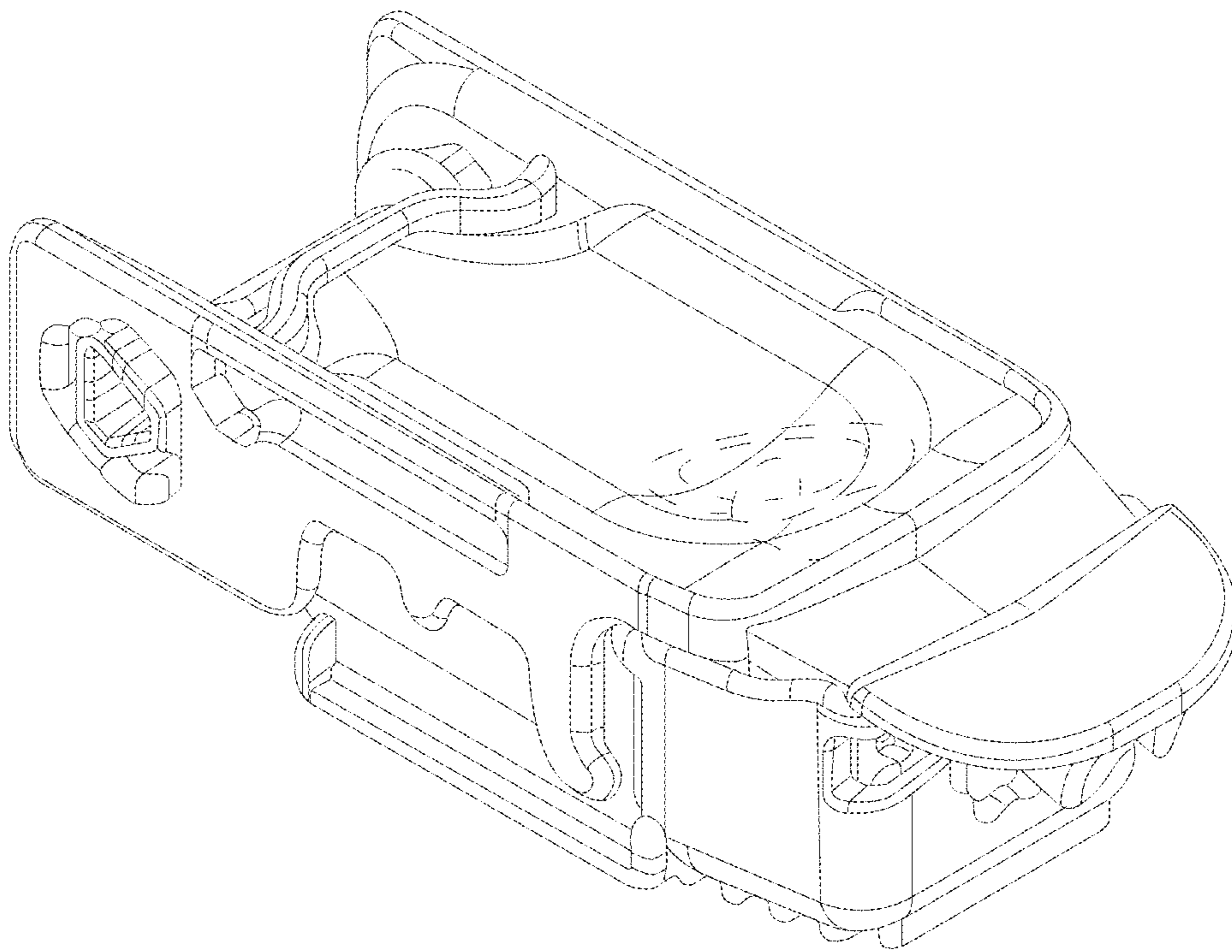


FIG. 3

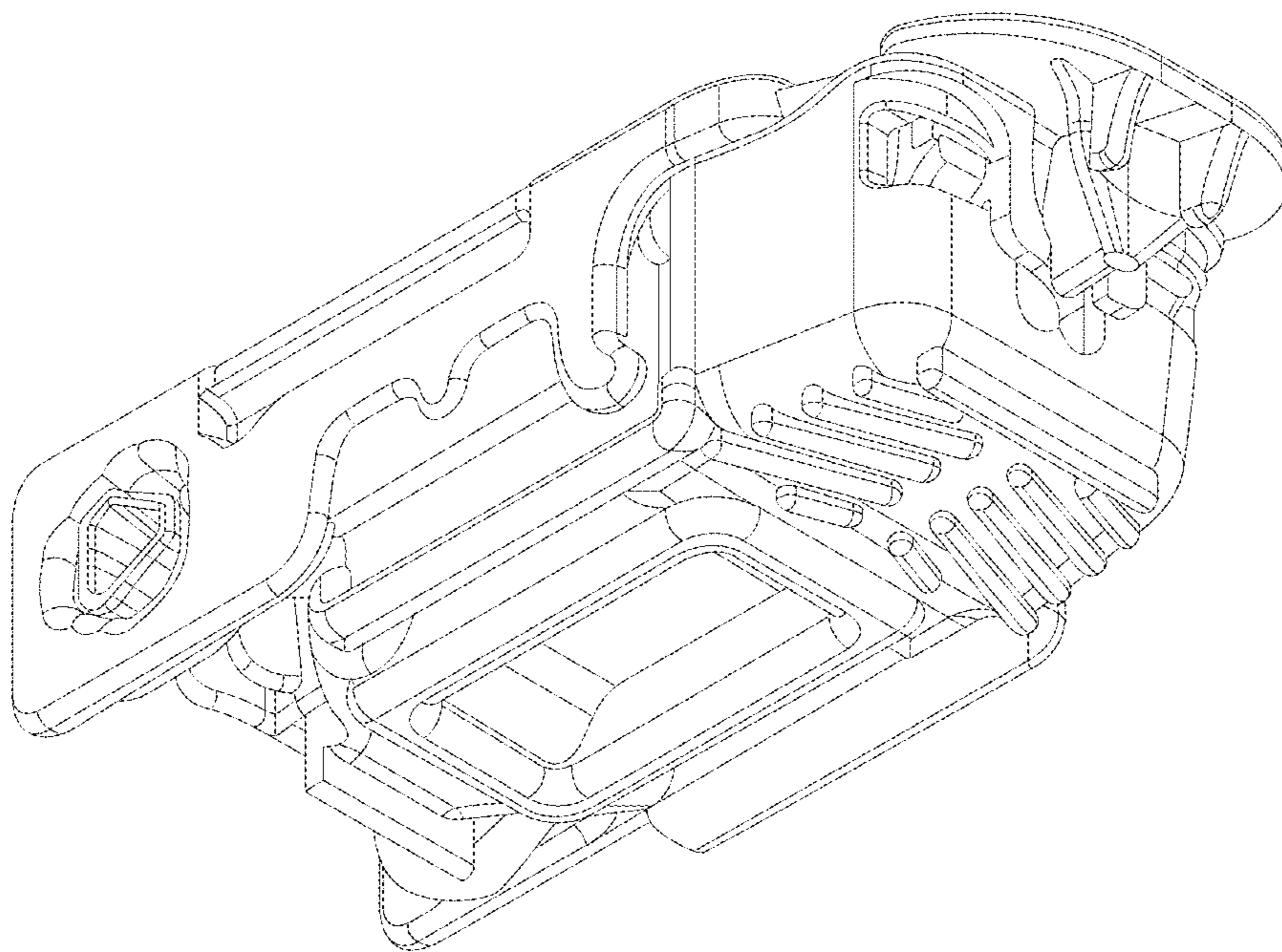


FIG. 4

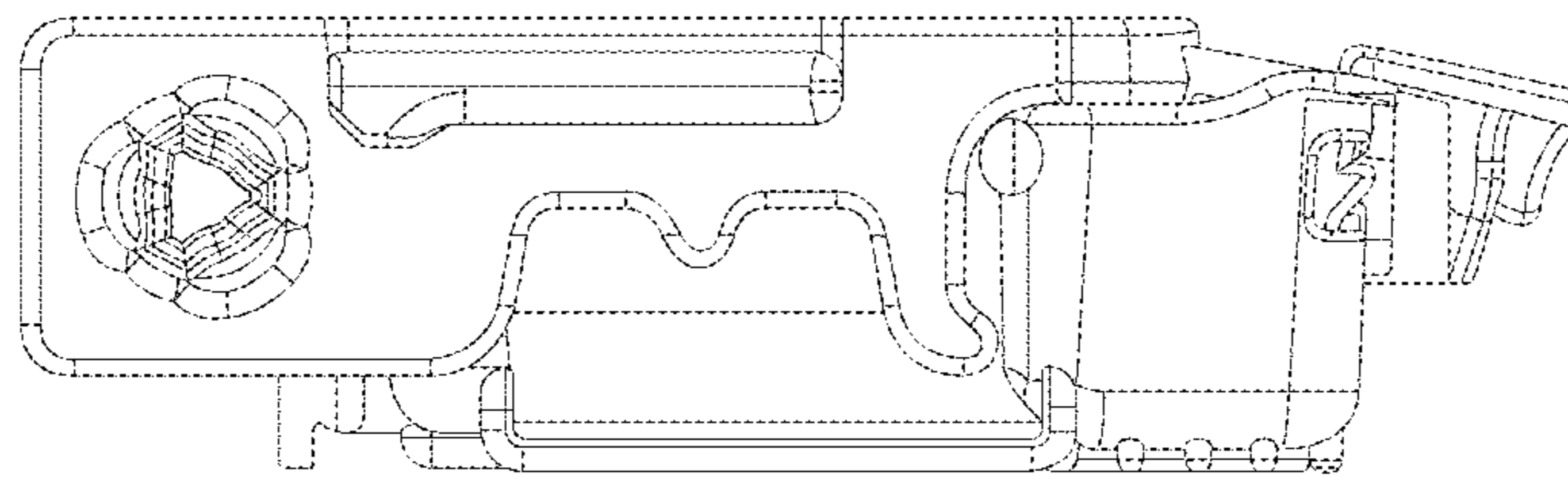


FIG. 5

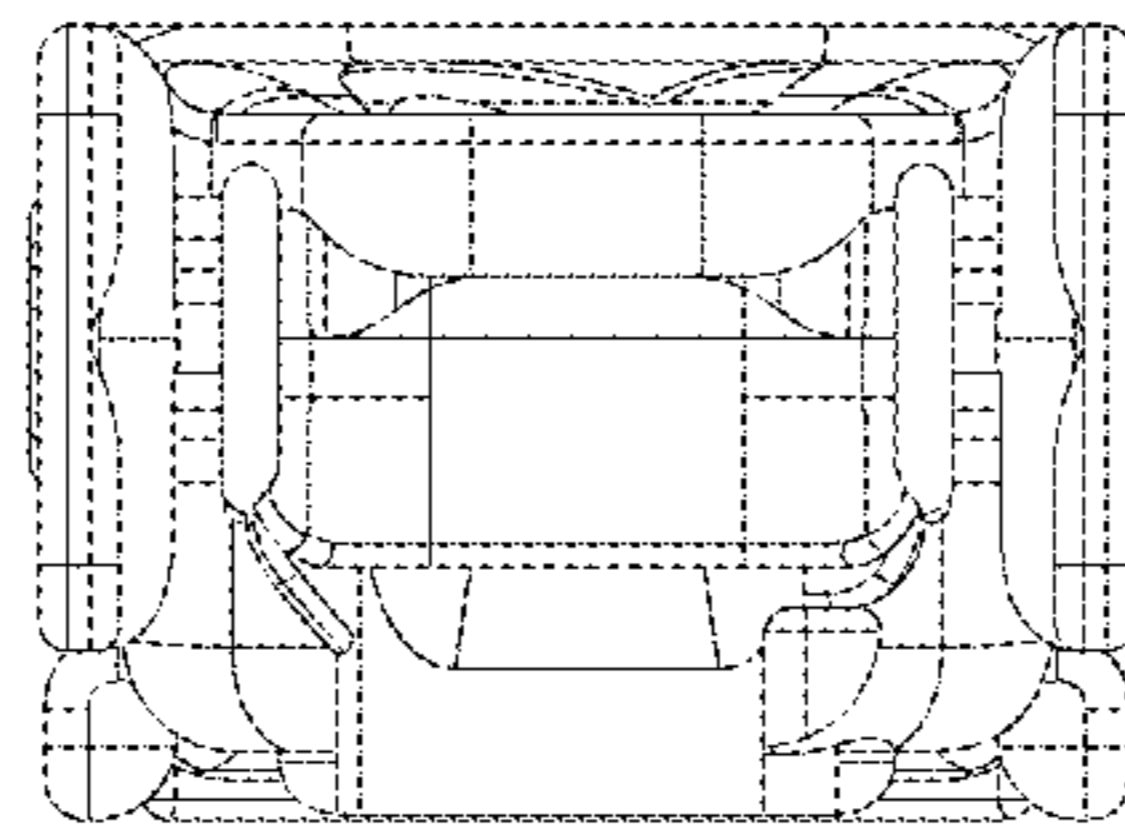


FIG. 6

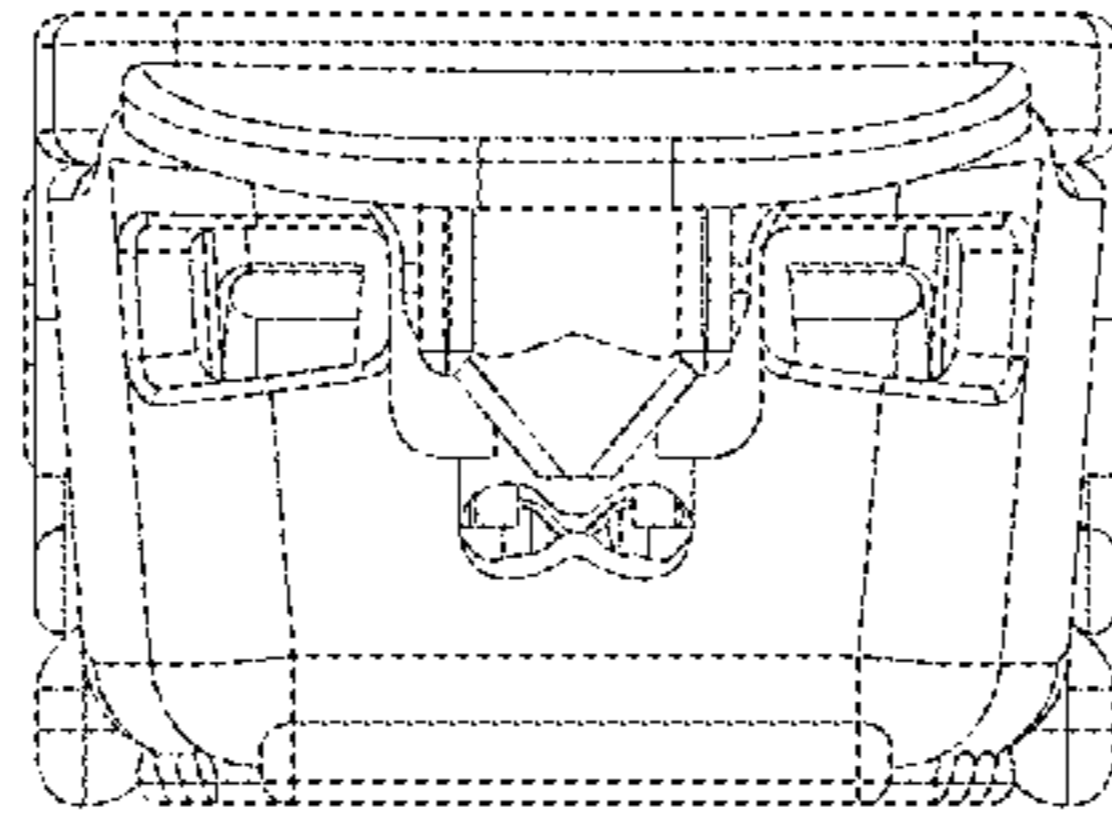


FIG. 7

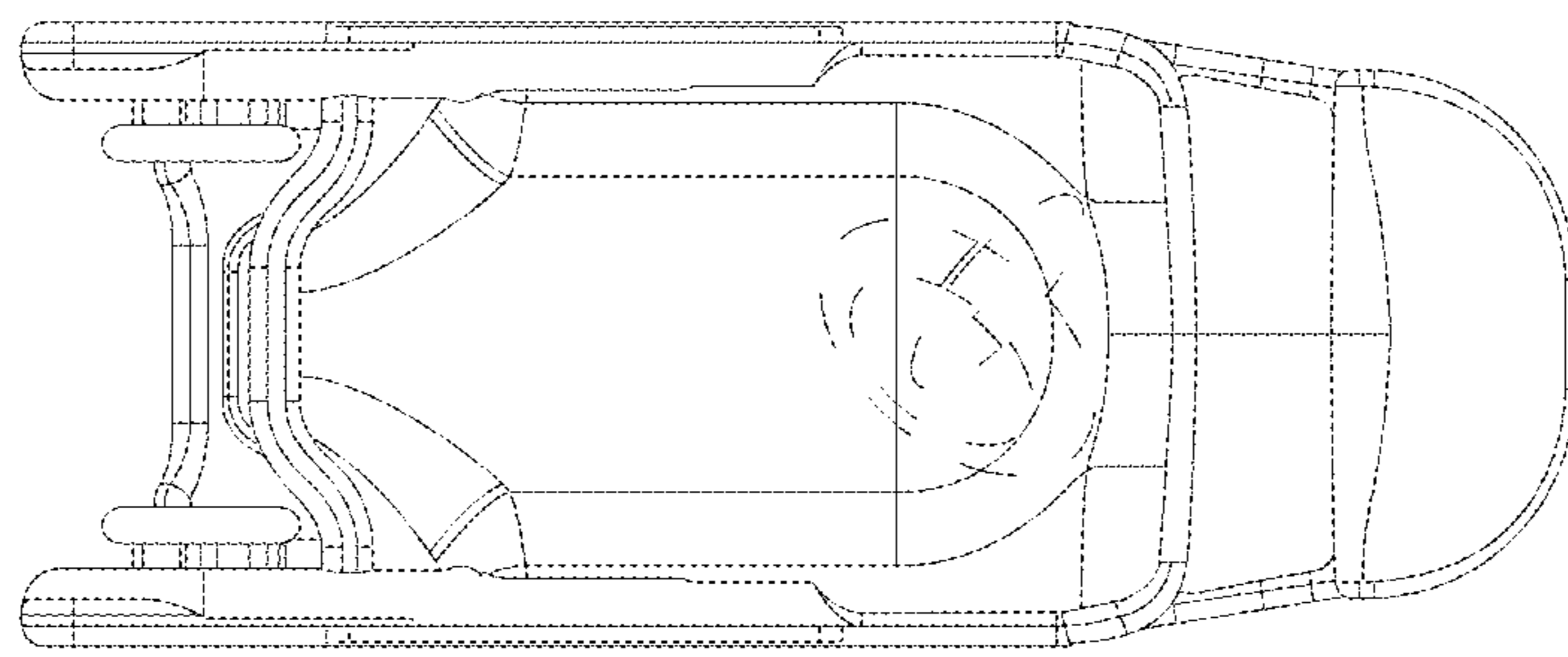


FIG. 8

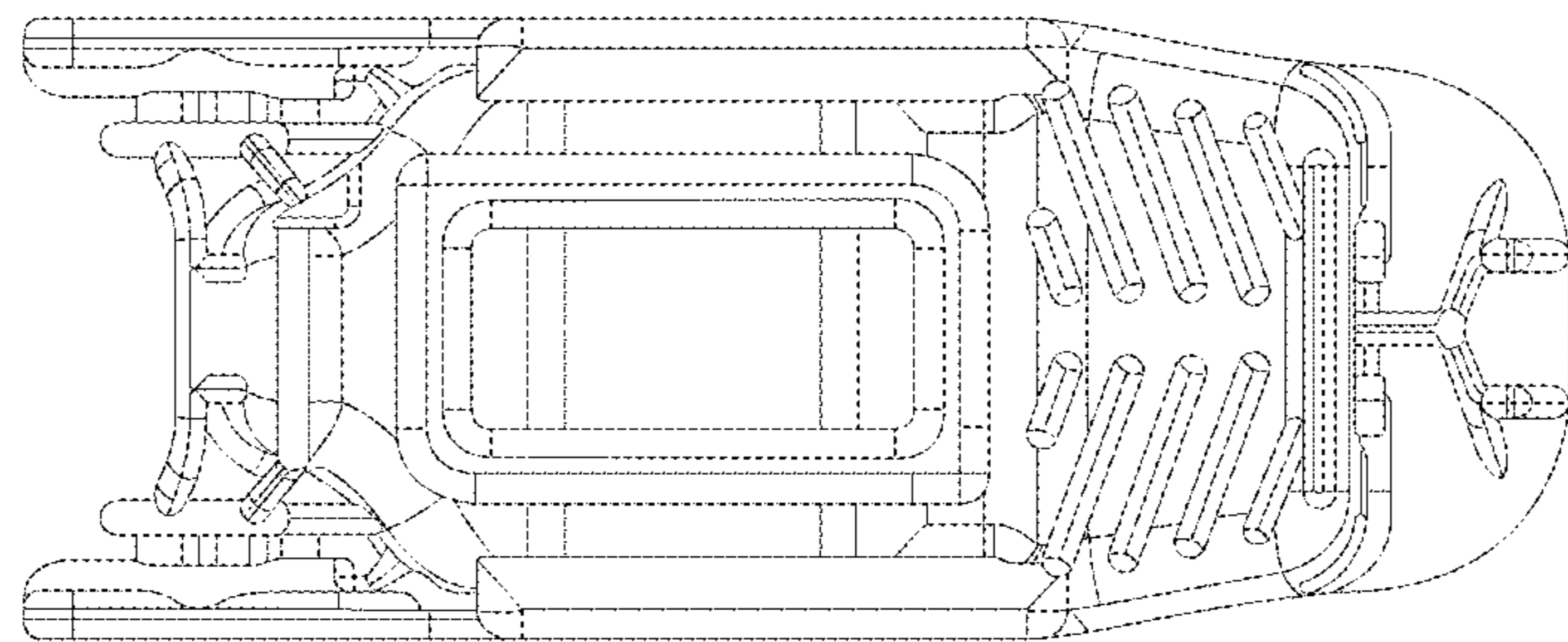


FIG. 9

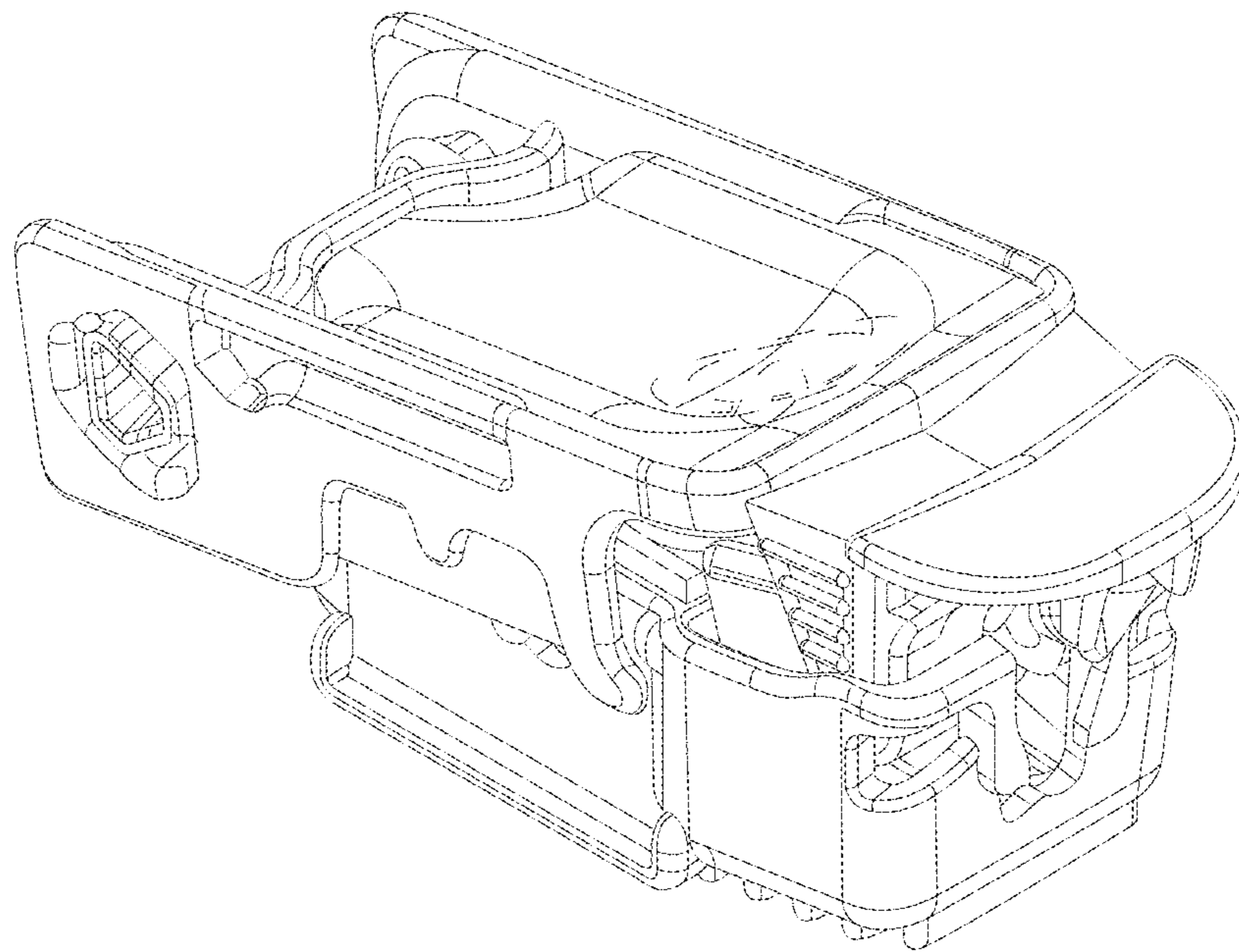


FIG. 10

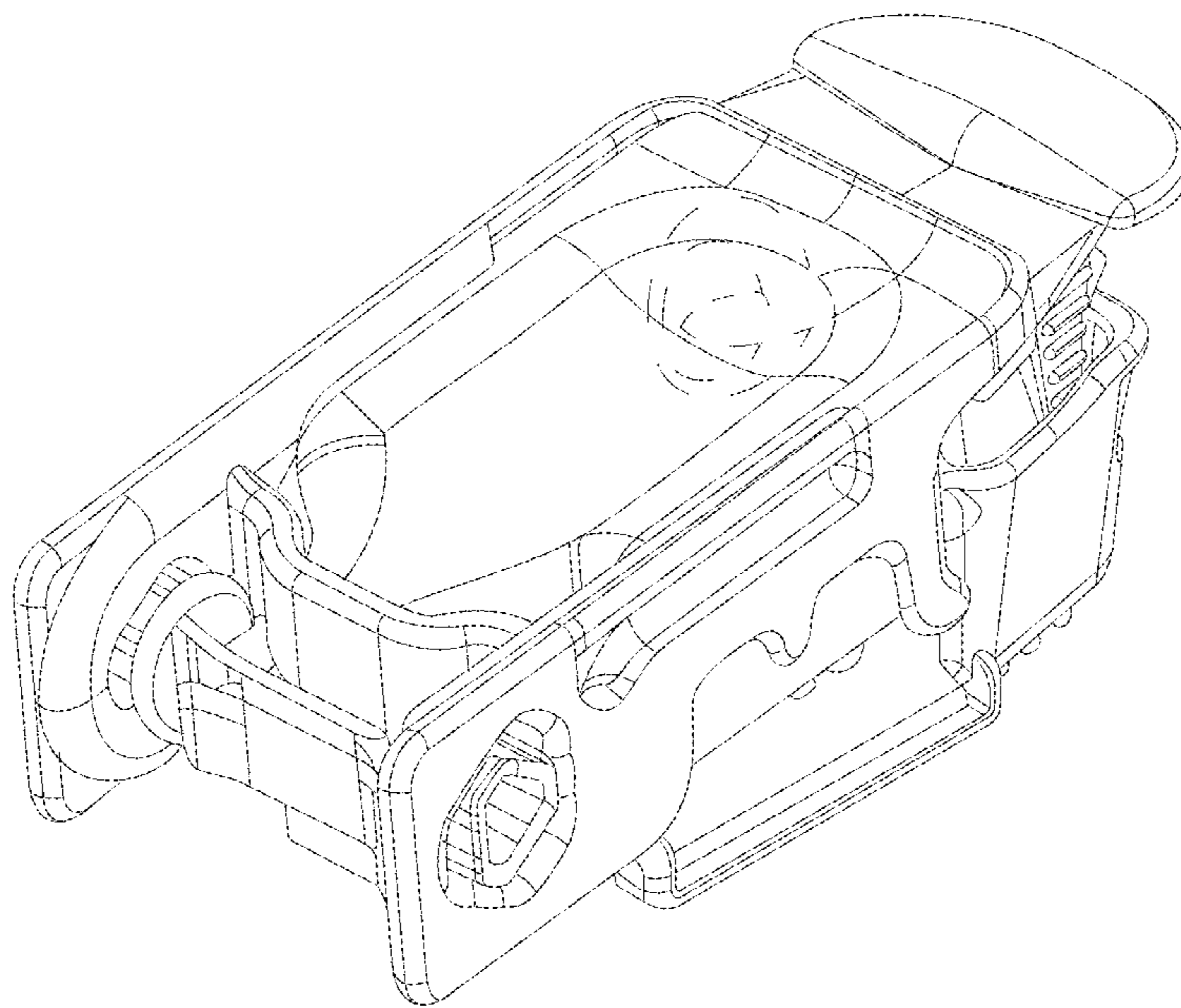


FIG. 11

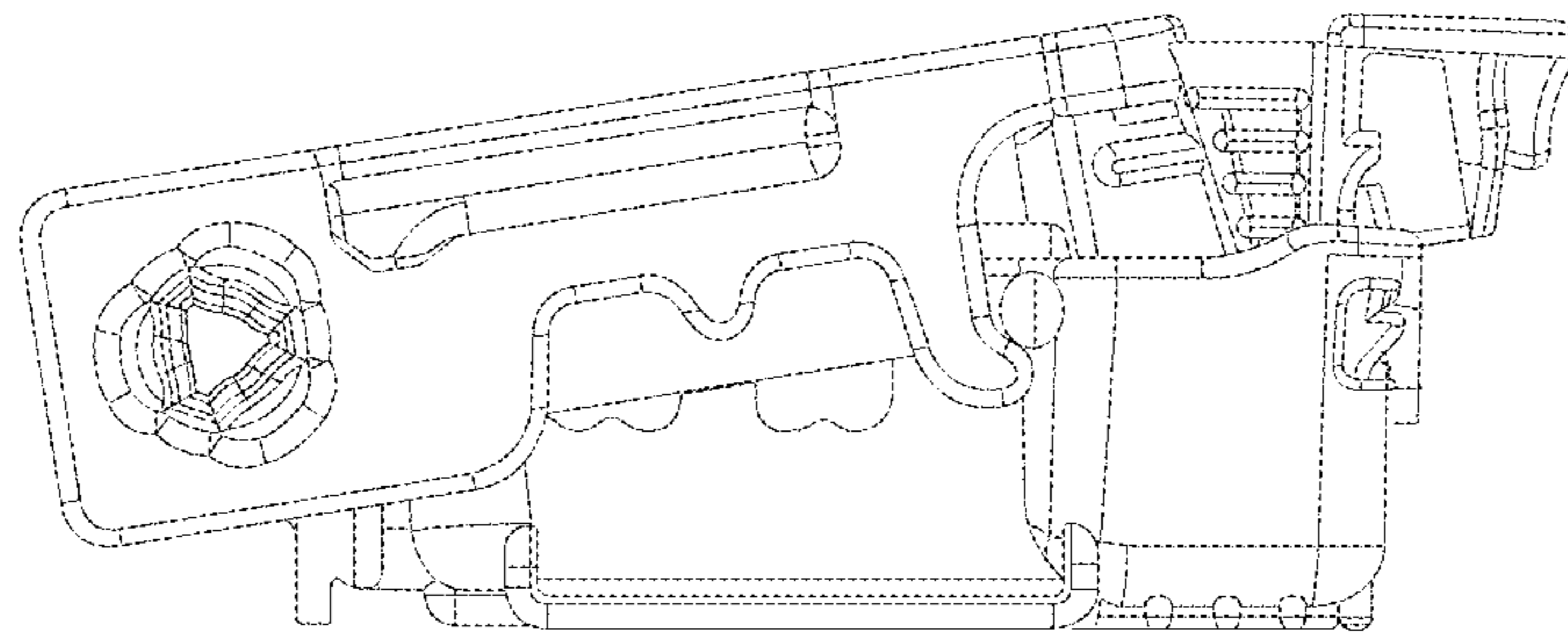


FIG. 12

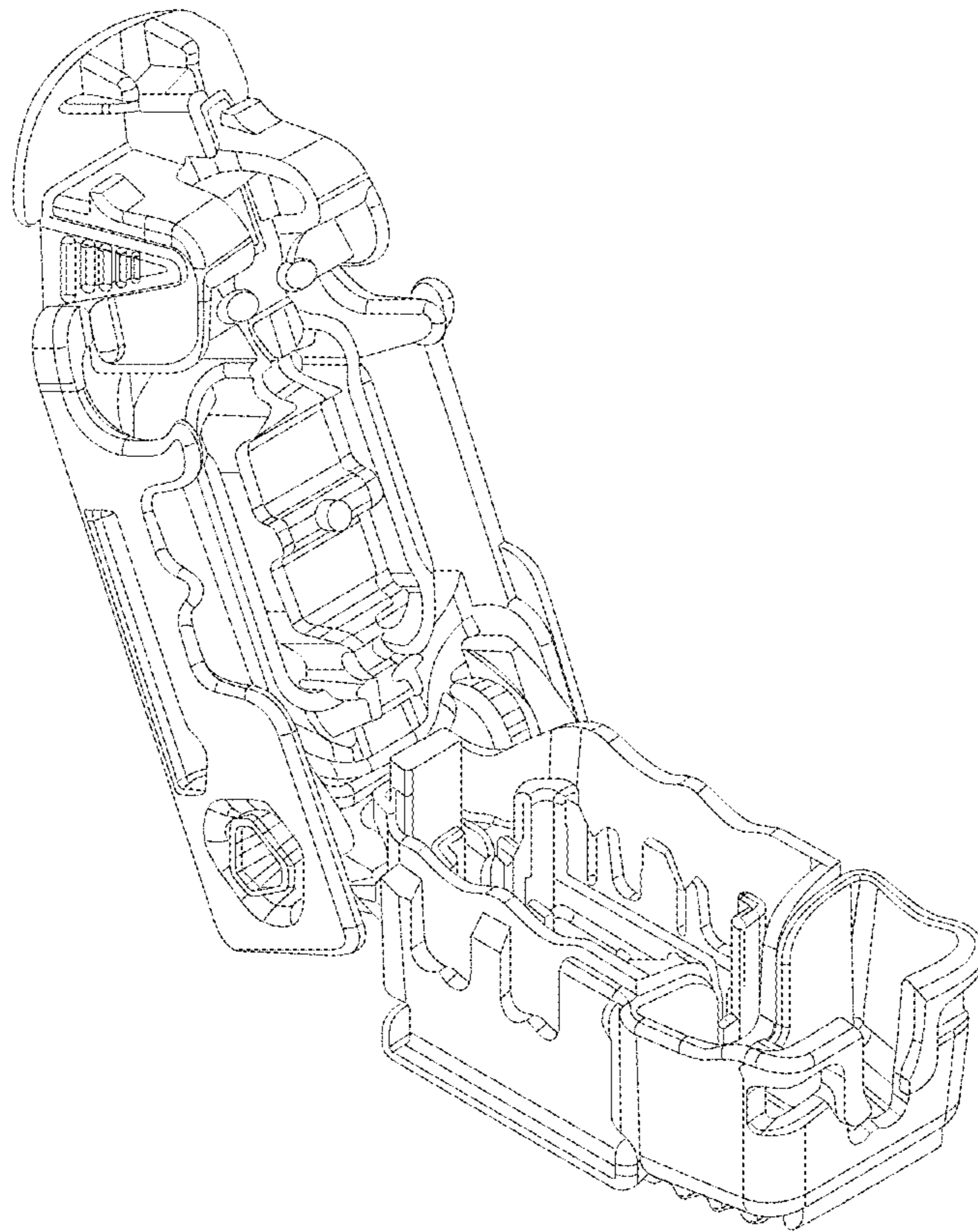


FIG. 13

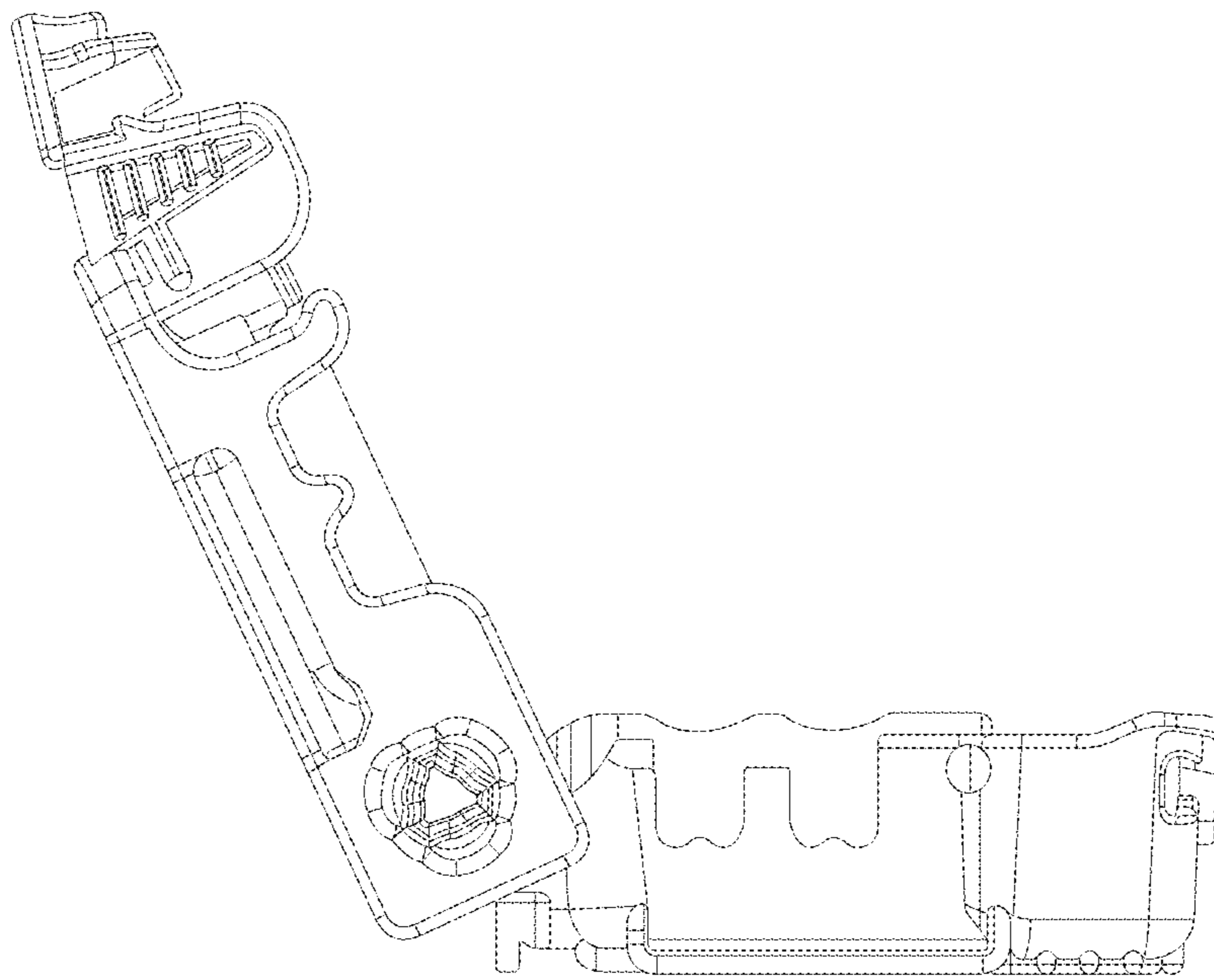


FIG. 14

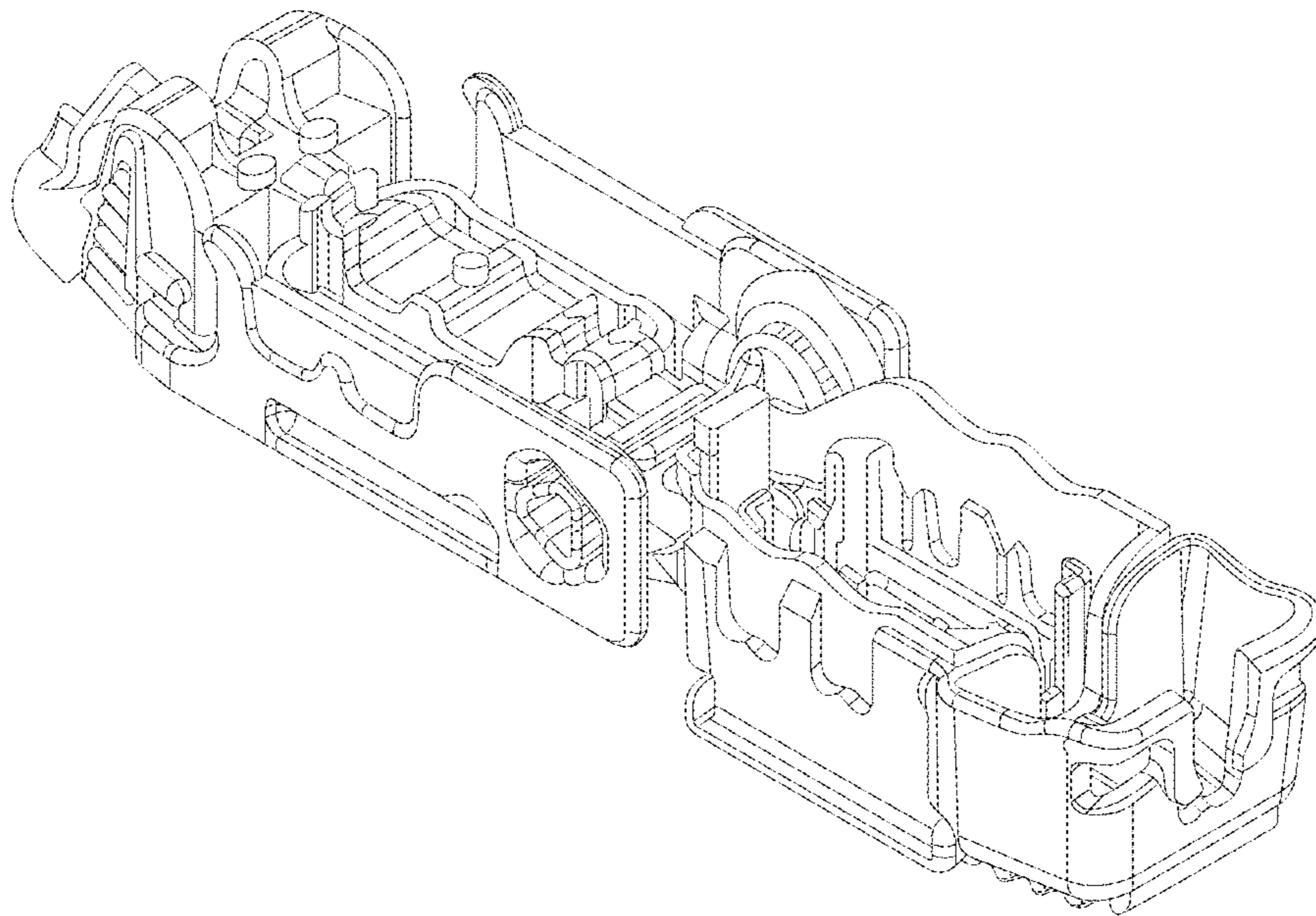


FIG. 15

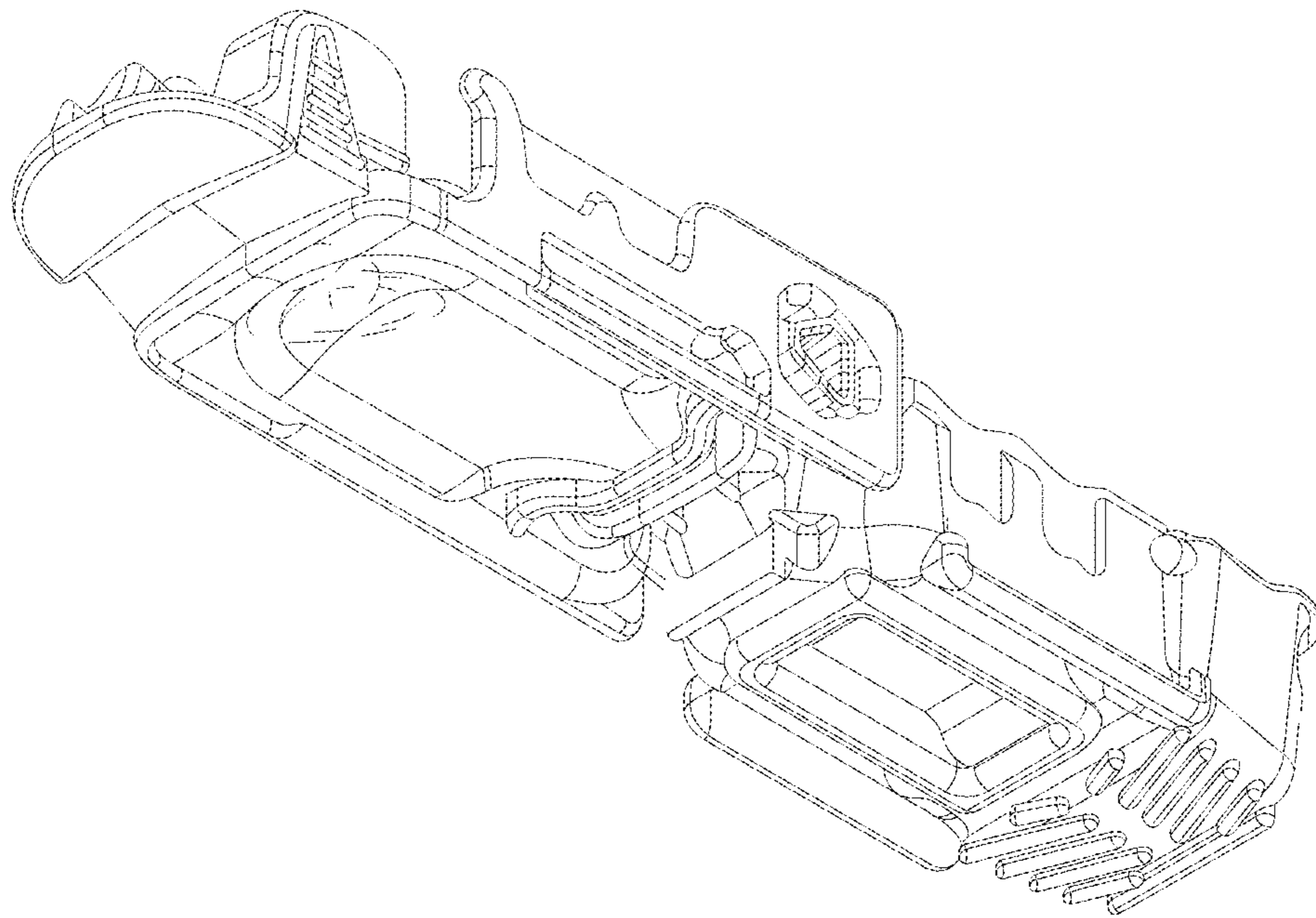


FIG. 16

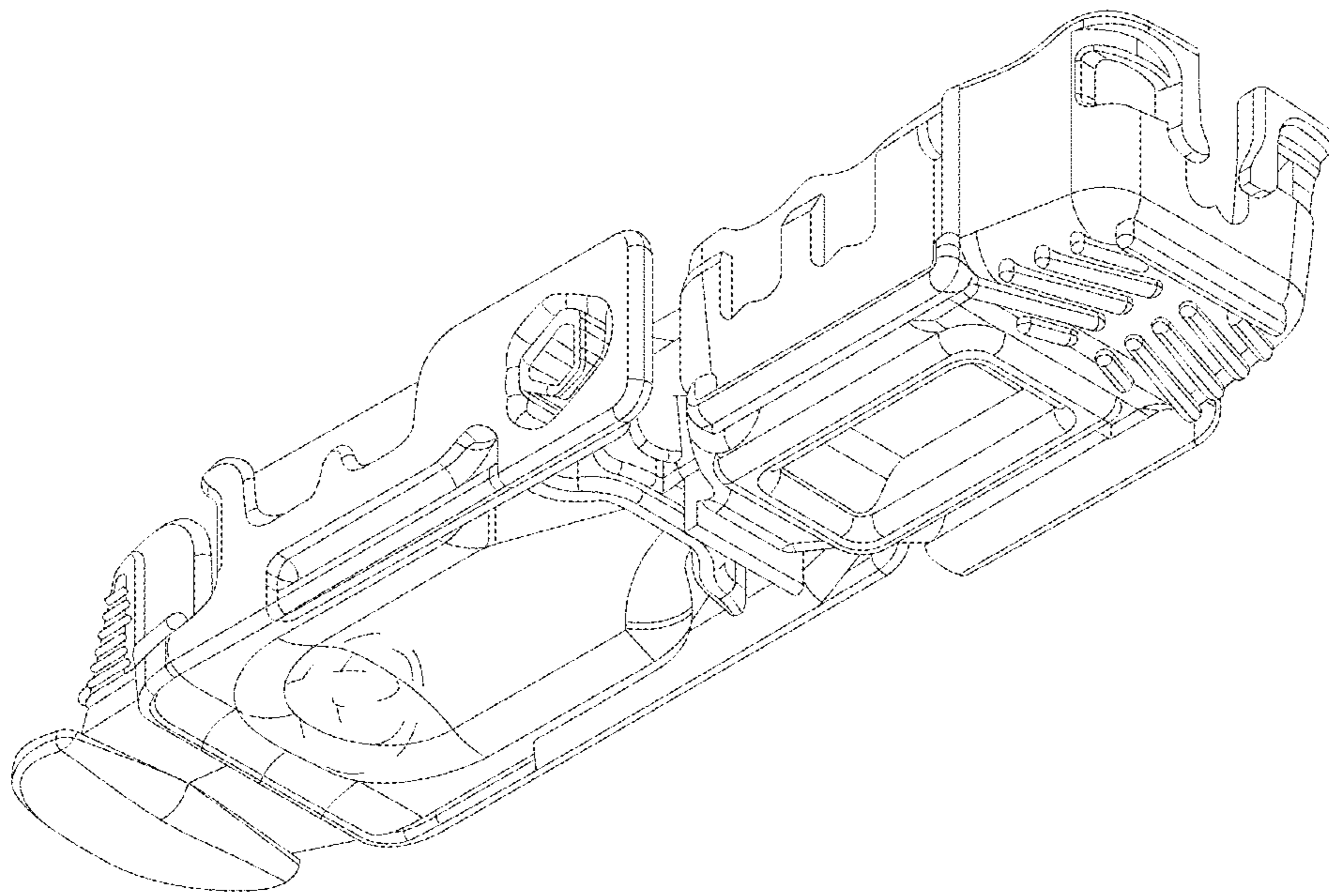


FIG. 17

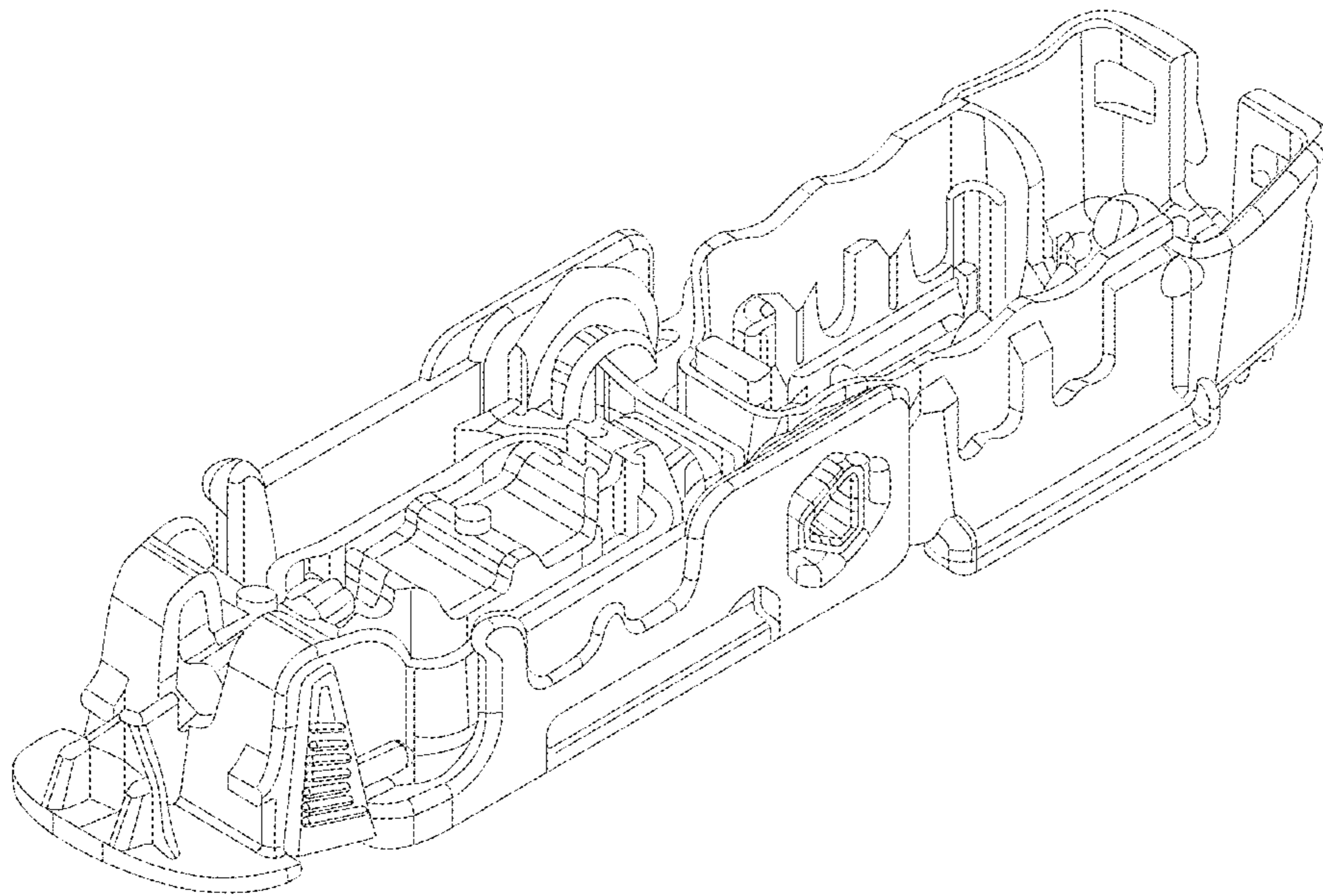


FIG. 18

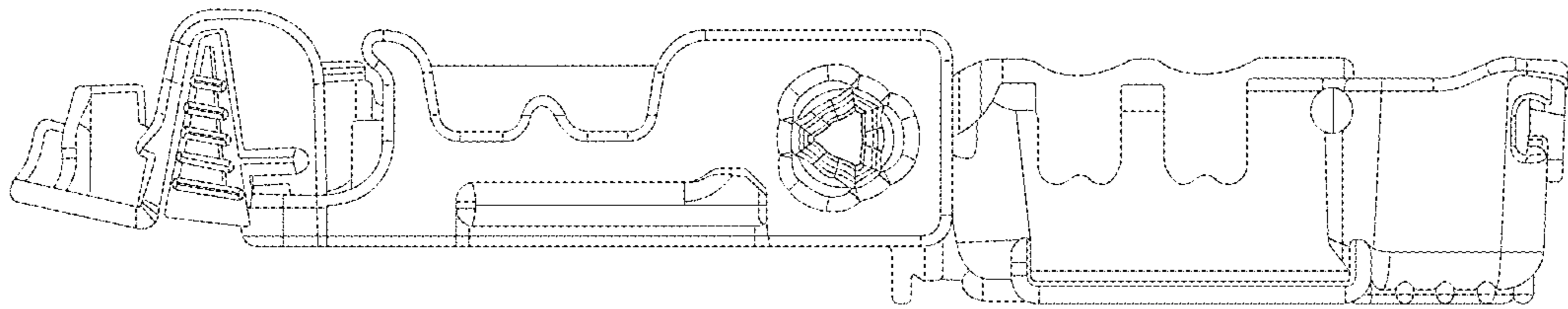


FIG. 19

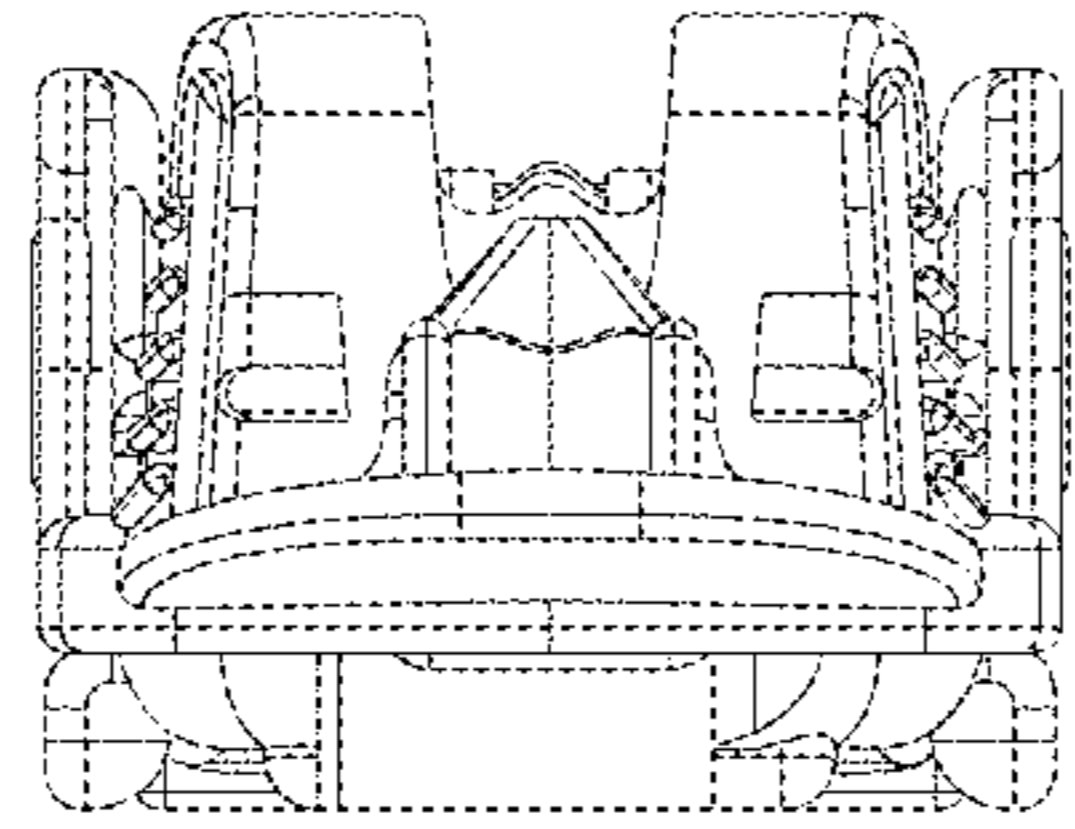


FIG. 20

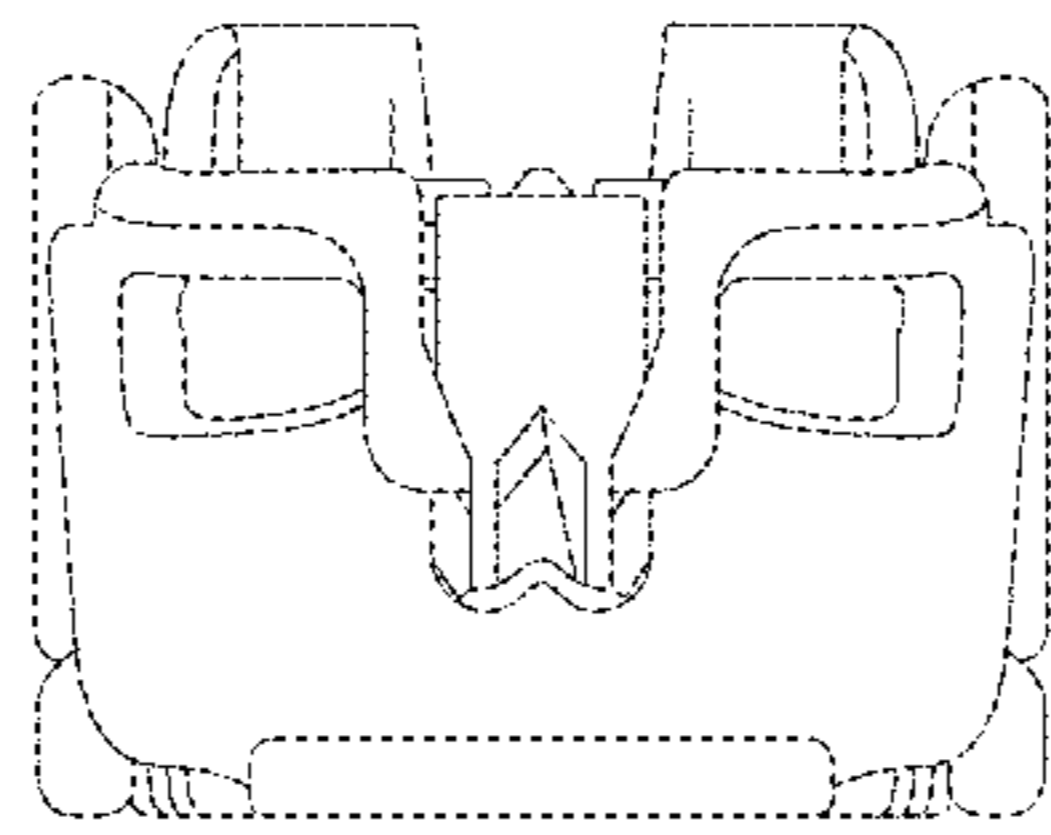


FIG. 21

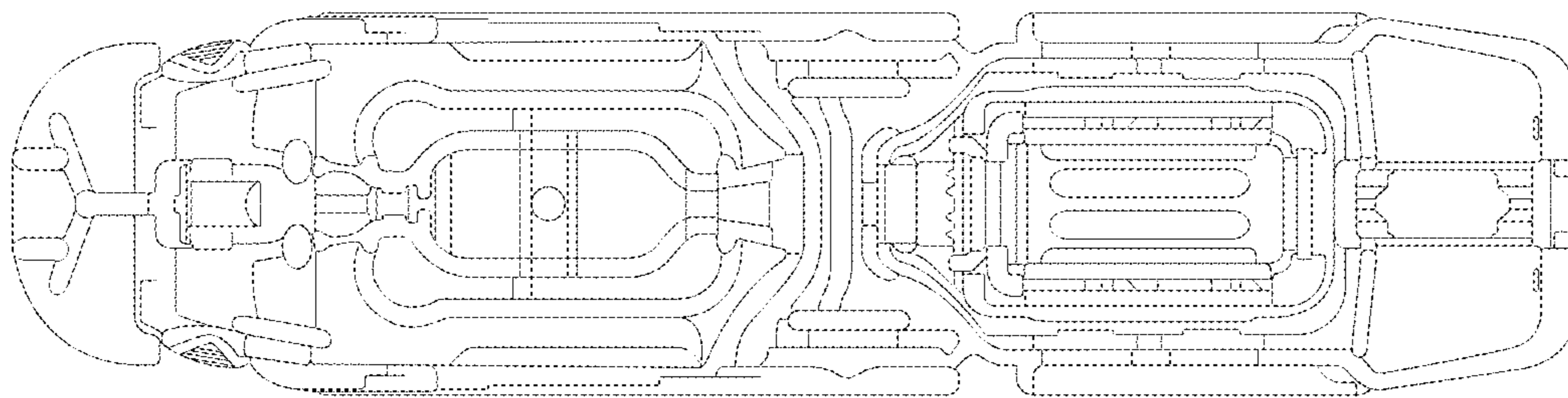


FIG. 22

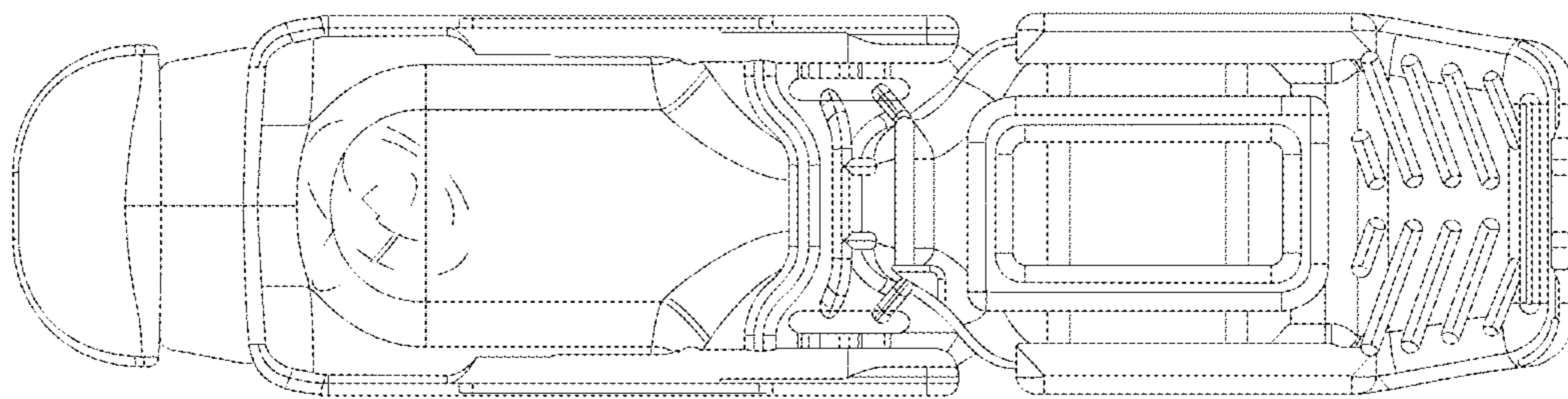


FIG. 23