



US00D797054S

(12) **United States Design Patent**  
**Chen et al.**

(10) **Patent No.:** **US D797,054 S**

(45) **Date of Patent:** **\*\* Sep. 12, 2017**

(54) **CABLE ELECTRICAL CONNECTOR**

(71) Applicants: **Tarng Yu Enterprise co., ltd**, New Taipei (TW); **DELL Products L.P.**, Round Rock, TX (US)

(72) Inventors: **Tsung-Chi Chen**, New Taipei (TW); **Mu-Jung Huang**, New Taipei (TW); **Shao-Szum Ho**, Round Rock, TX (US)

(73) Assignees: **TARNG YU ENTERPRISE CO., LTD**, New Taipei (TW); **DELL PRODUCTS L.P.**, Round Rock, TX (US)

(\*\*) Term: **15 Years**

(21) Appl. No.: **29/563,939**

(22) Filed: **May 9, 2016**

(30) **Foreign Application Priority Data**

Apr. 28, 2016 (TW) ..... 105302312

(51) **LOC (10) Cl.** ..... **13-03**

(52) **U.S. Cl.**  
USPC ..... **D13/147**

(58) **Field of Classification Search**

USPC ..... D13/133, 146, 147, 154, 184, 199;  
D14/432, 433, 435, 435.1, 436, 437, 438  
CPC .... H01R 13/02; H01R 13/436; H01R 13/502;  
H01R 13/504; H01R 13/506; H01R  
13/514; H01R 13/5208; H01R 13/627;  
H01R 13/639; H01R 13/6581; H01R  
24/20; H01R 24/28

See application file for complete search history.

(56) **References Cited**

**U.S. PATENT DOCUMENTS**

D241,942 S \* 10/1976 Sheesley et al. .... D13/147  
D466,080 S \* 11/2002 Ko ..... D13/147

D719,098 S \* 12/2014 Endo ..... D13/147  
2010/0317236 A1\* 12/2010 Huang ..... H01R 4/023  
439/660  
2016/0093976 A1\* 3/2016 Wu ..... H01R 13/6271  
439/660

\* cited by examiner

*Primary Examiner* — Daniel Bui

(74) *Attorney, Agent, or Firm* — Chun-Ming Shih

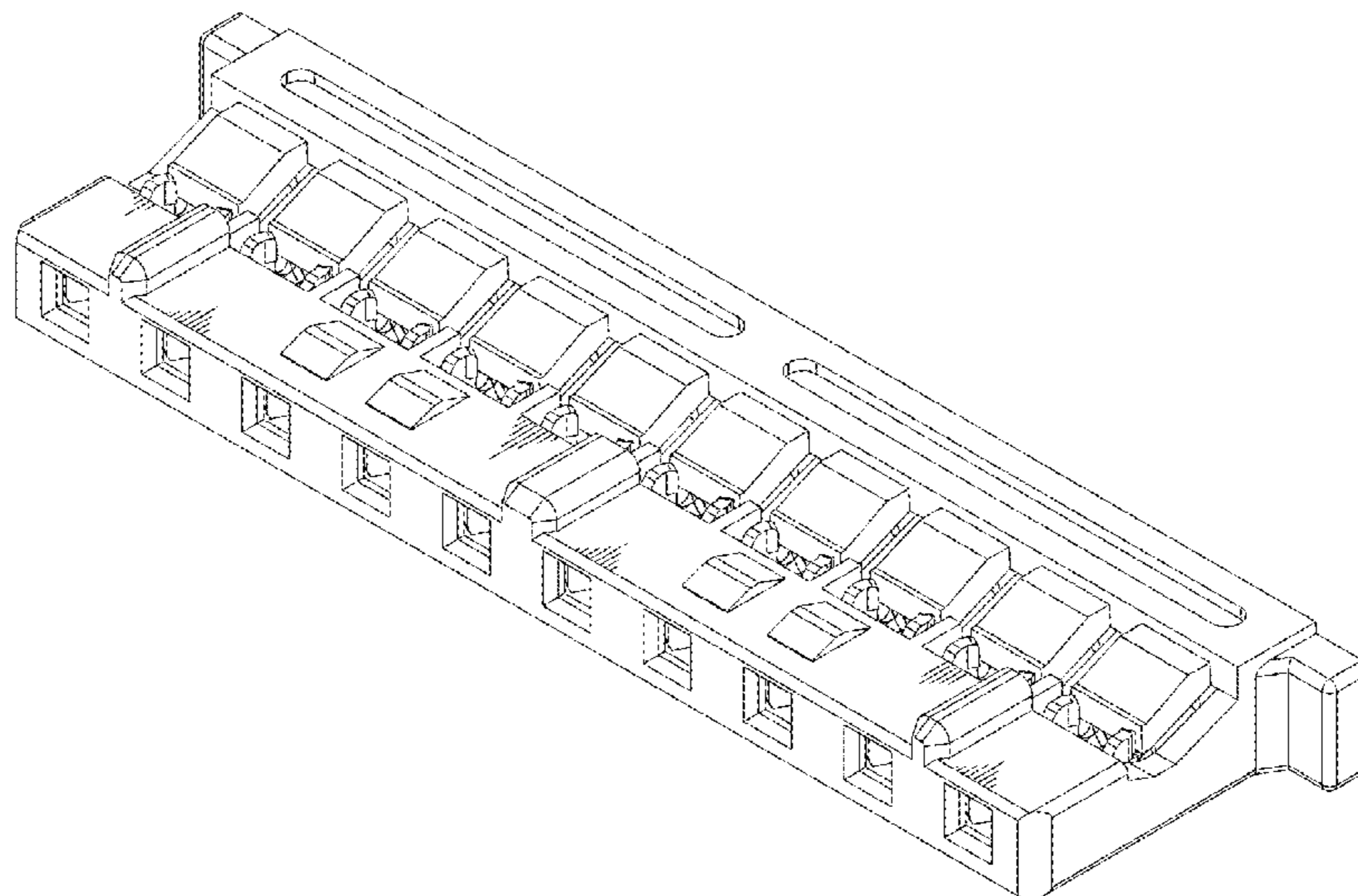
(57) **CLAIM**

The ornamental design for a cable electrical connector, as shown and described.

**DESCRIPTION**

FIG. 1 is a front, top and left side perspective view of a cable electrical connector showing our new design;  
FIG. 2 is a front elevation view thereof;  
FIG. 3 is a rear elevation view thereof;  
FIG. 4 is a left side elevational view thereof;  
FIG. 5 is a right side elevational view thereof;  
FIG. 6 is a top plan view thereof;  
FIG. 7 is a bottom plan view thereof;  
FIG. 8 is a rear, top and right side perspective view thereof;  
FIG. 9 is a front, bottom and left side perspective view thereof, in use condition;  
FIG. 10 is a first use state schematic of a cable electrical connector showing the new design; and,  
FIG. 11 is a second use state schematic of a cable electrical connector showing the new design.  
The broken line in the drawing depicts unclaimed environmental subject matter only and forms no part of the claimed design.

**1 Claim, 6 Drawing Sheets**



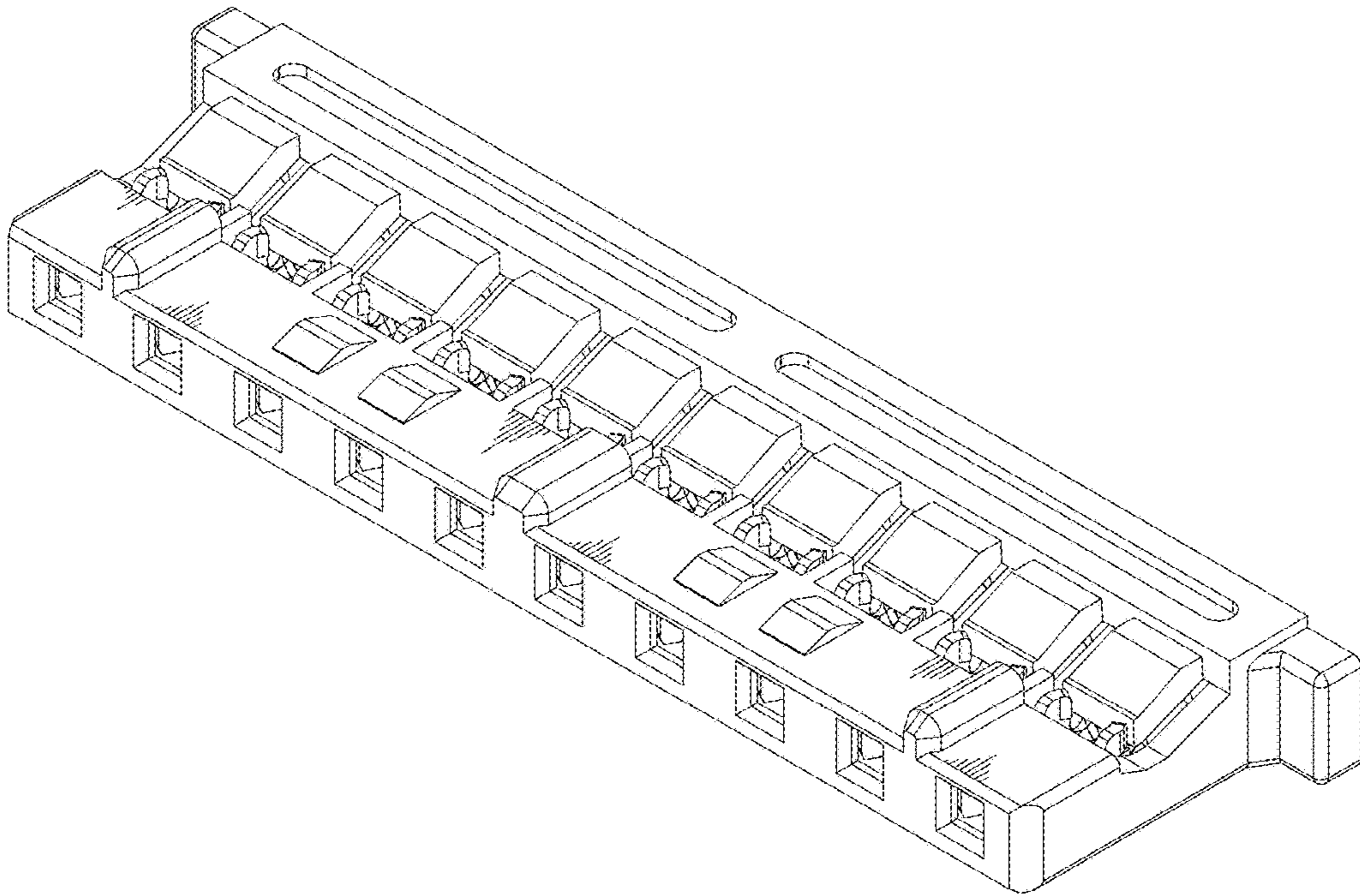


FIG. 1

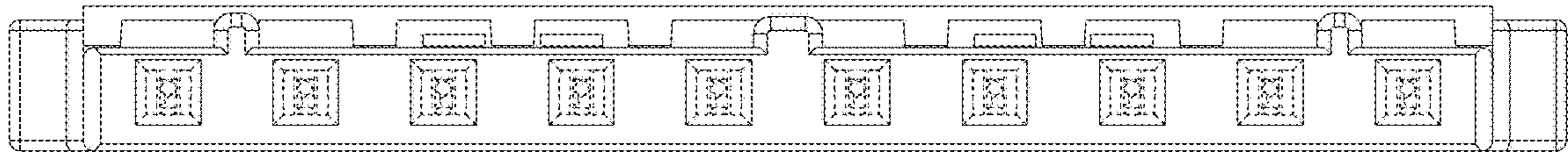


FIG. 2

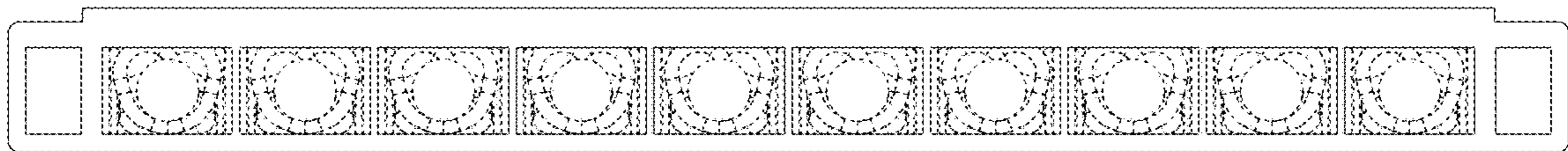


FIG. 3

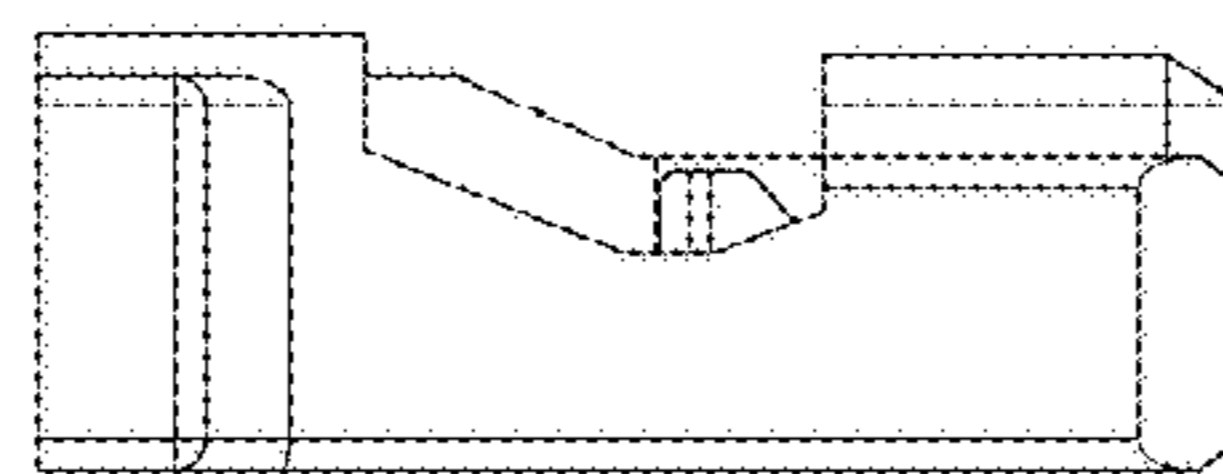


FIG. 4

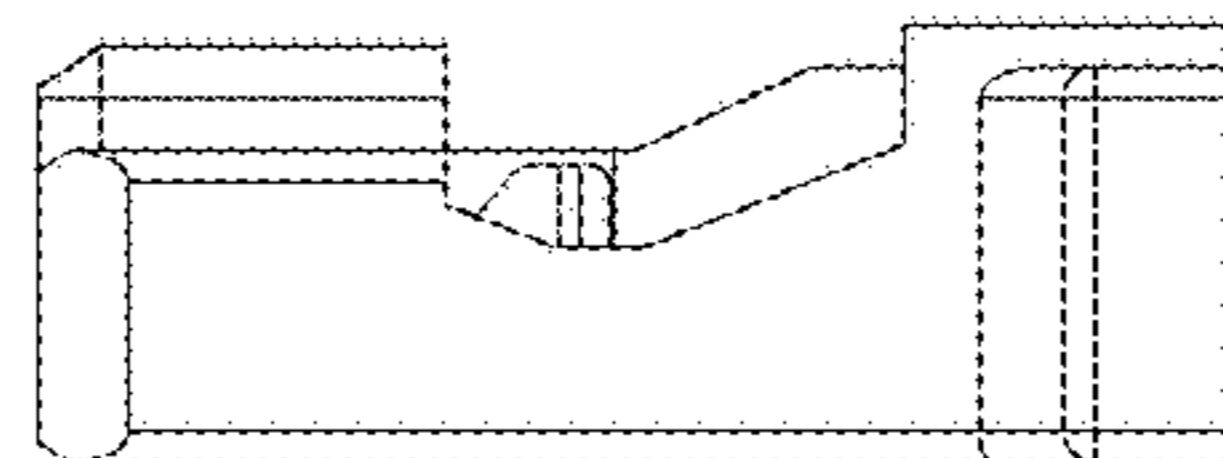


FIG. 5

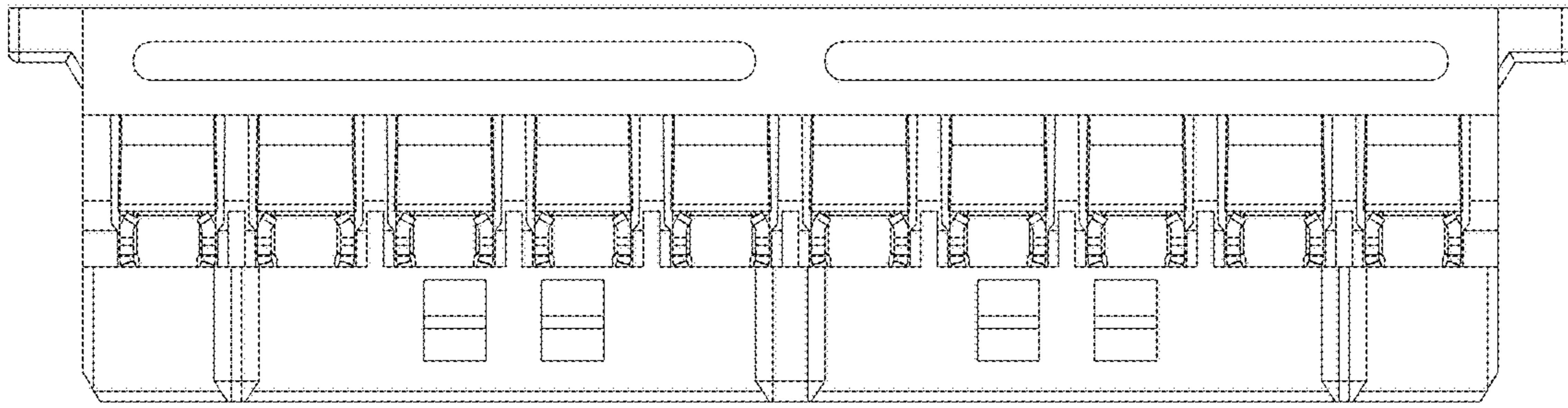


FIG. 6

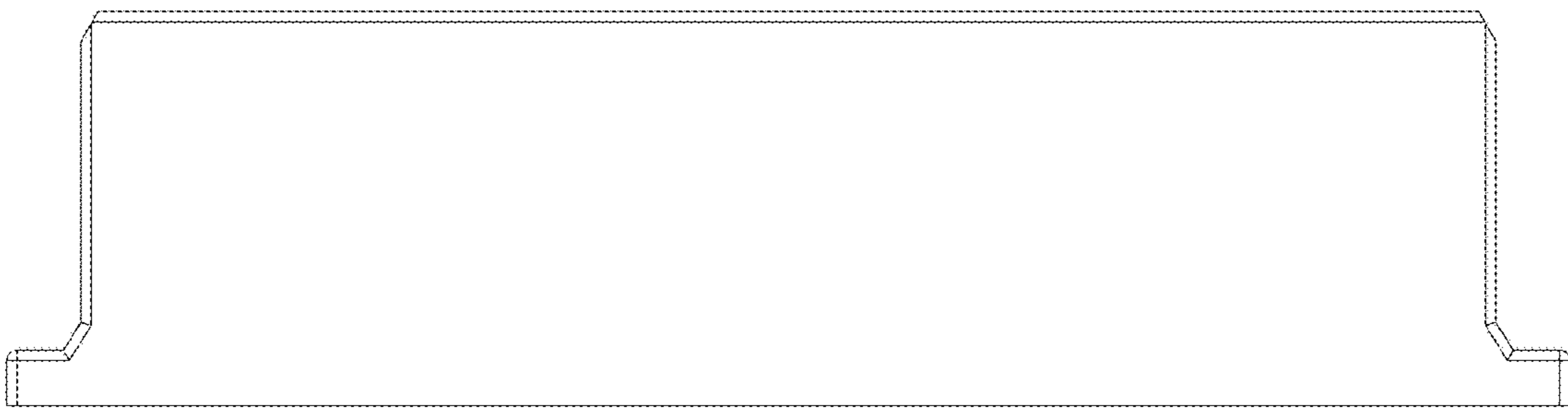


FIG. 7

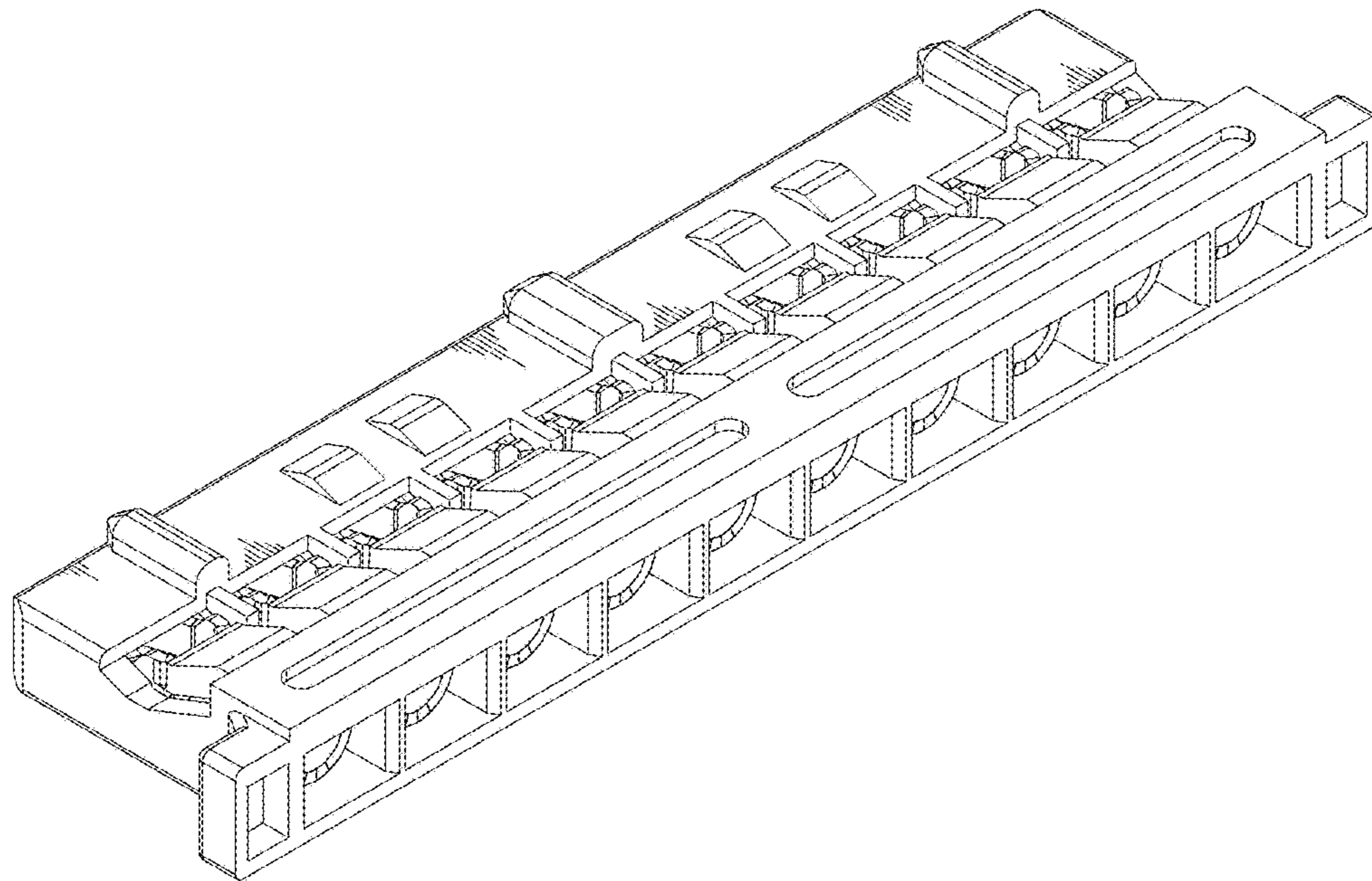


FIG. 8

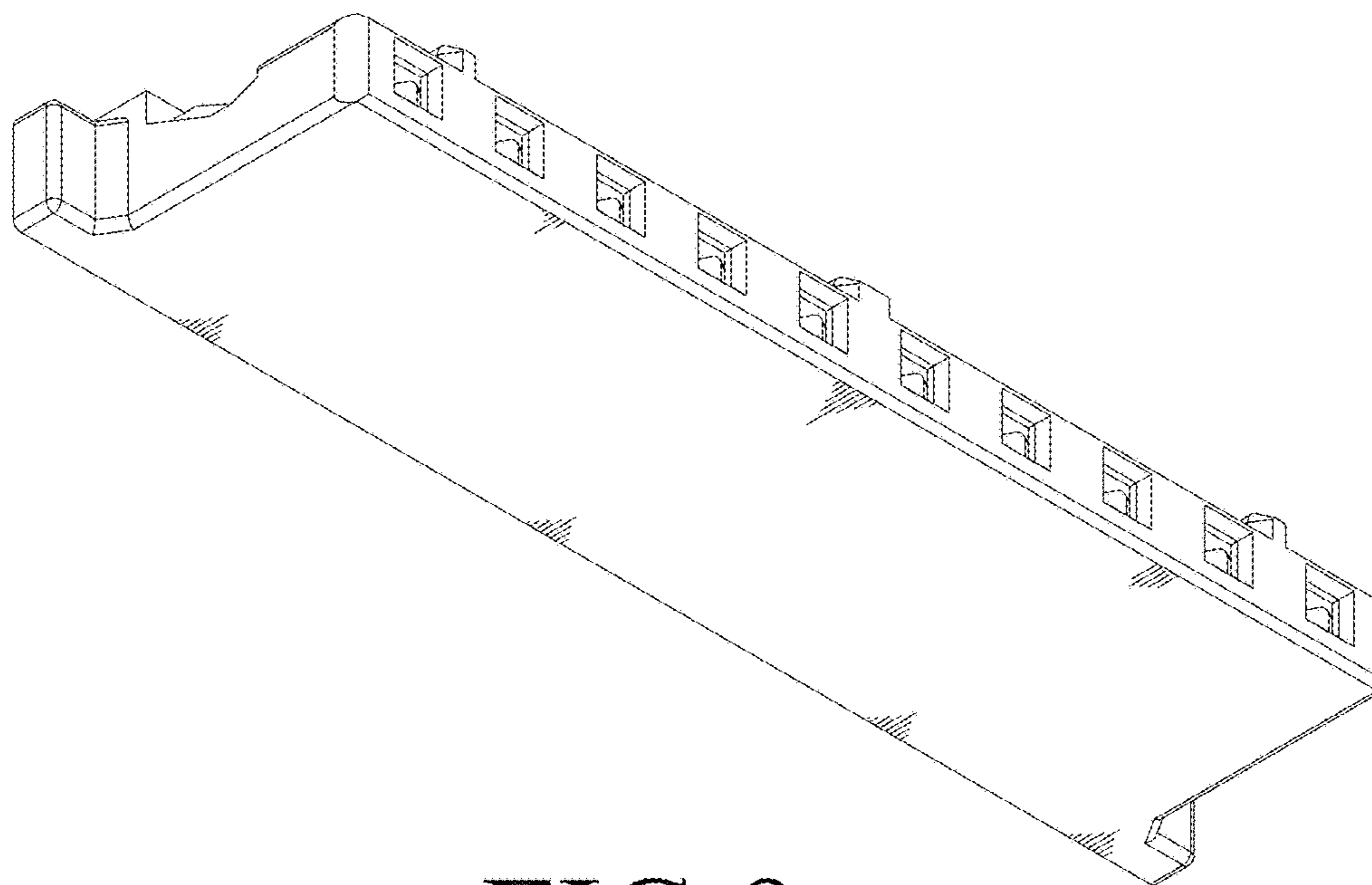


FIG. 9

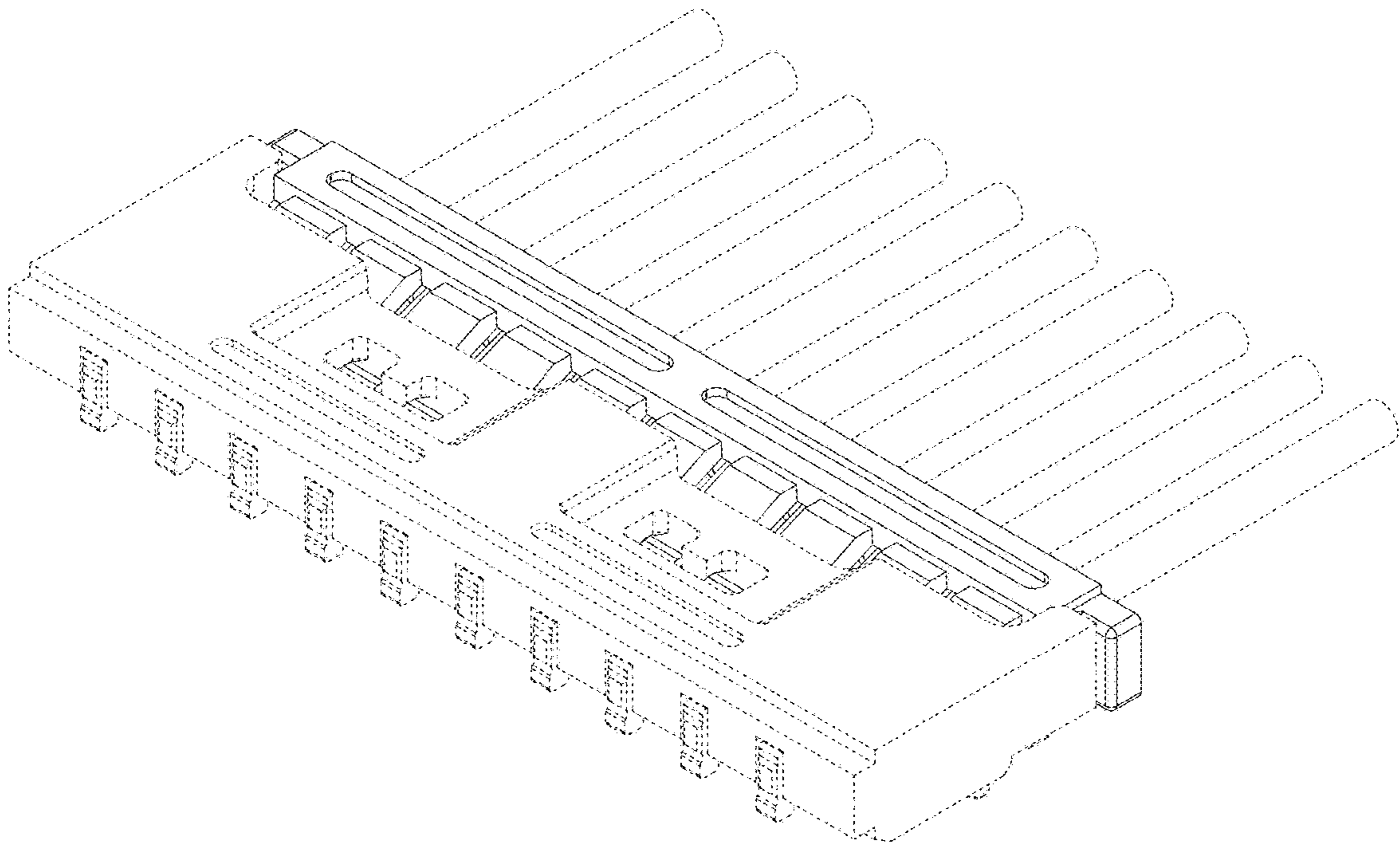


FIG. 10

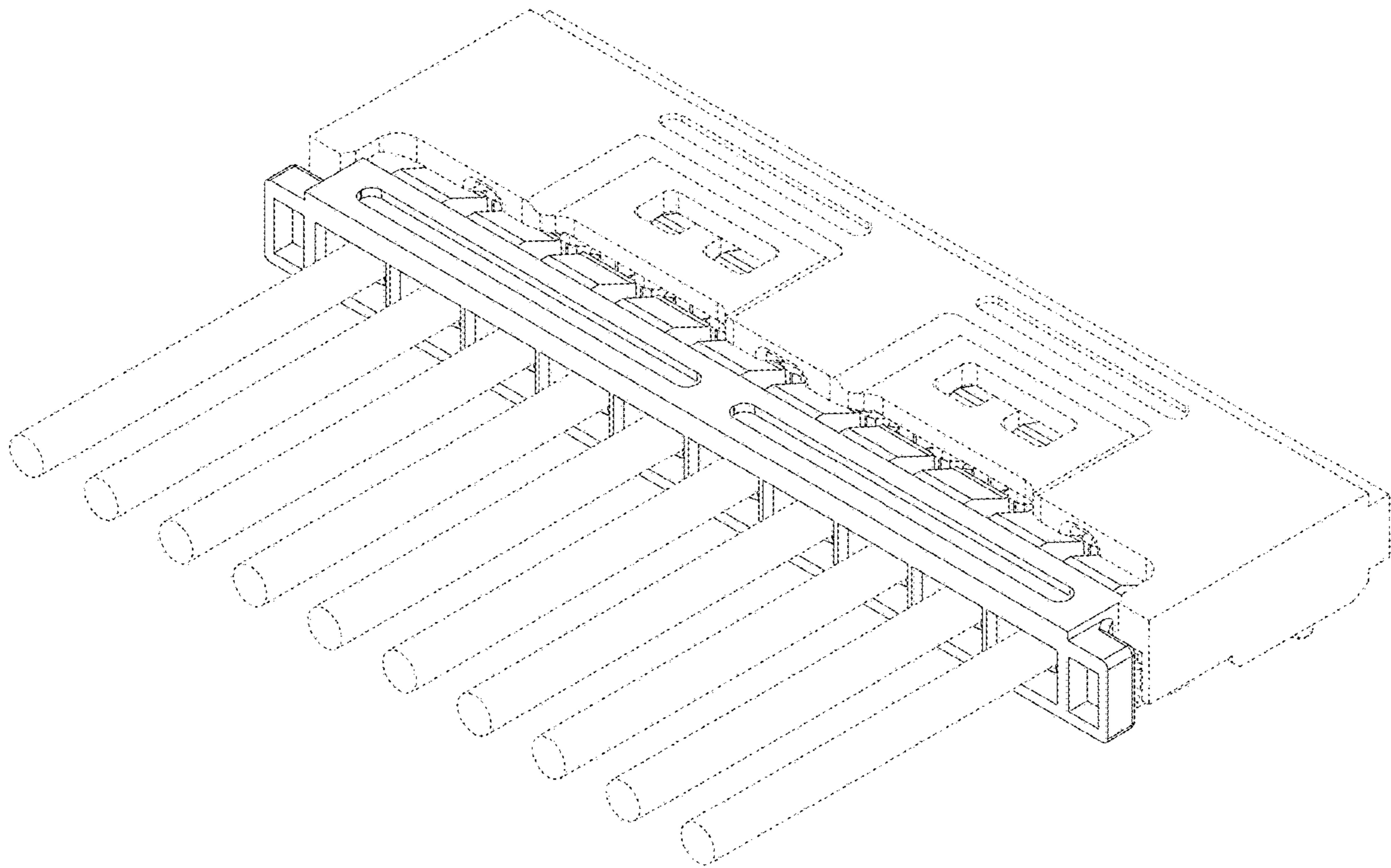


FIG. 11