

US00D797052S

(12) **United States Design Patent**
Moseke et al.

(10) **Patent No.:** **US D797,052 S**

(45) **Date of Patent:** **** Sep. 12, 2017**

(54) **CONNECTING PLUG**

13/627; H01R 13/639; H01R 13/64;
H01R 13/641; H01R 13/6683; B60L
11/18

(71) Applicant: **Phoenix Contact E-Mobility GmbH**,
Schieder (DE)

See application file for complete search history.

(72) Inventors: **Dirk Moseke**, Hoexter-Luechtringen
(DE); **Ralf Bungenstock**, Blomberg
(DE); **Frederik Effenberger**, Detmold
(DE); **Marco Seelig**, Leopoldshoehe
(DE); **Mario Bruenger**, Bad
Oeynhausen (DE)

(56) **References Cited**

U.S. PATENT DOCUMENTS

D667,378 S *	9/2012	Yamamoto	D13/133
D667,379 S *	9/2012	Fukushima	D13/133
D669,033 S *	10/2012	Senk	D13/133
D700,143 S *	2/2014	Ichio	D13/120
D702,649 S *	4/2014	Ichio	D13/146
D707,179 S *	6/2014	Smith	D13/146

* cited by examiner

(73) Assignee: **PHOENIX CONTACT E-MOBILITY GMBH**, Schieder-Schwalenberg (DE)

Primary Examiner — Daniel Bui

(**) Term: **15 Years**

(74) *Attorney, Agent, or Firm* — Leydig, Voit & Mayer,
Ltd.

(21) Appl. No.: **29/551,913**

(22) Filed: **Jan. 19, 2016**

(57) **CLAIM**

The ornamental design for a connecting plug, as shown.

(30) **Foreign Application Priority Data**

Jul. 21, 2015 (EM) 002740662

(51) **LOC (10) Cl.** **13-03**

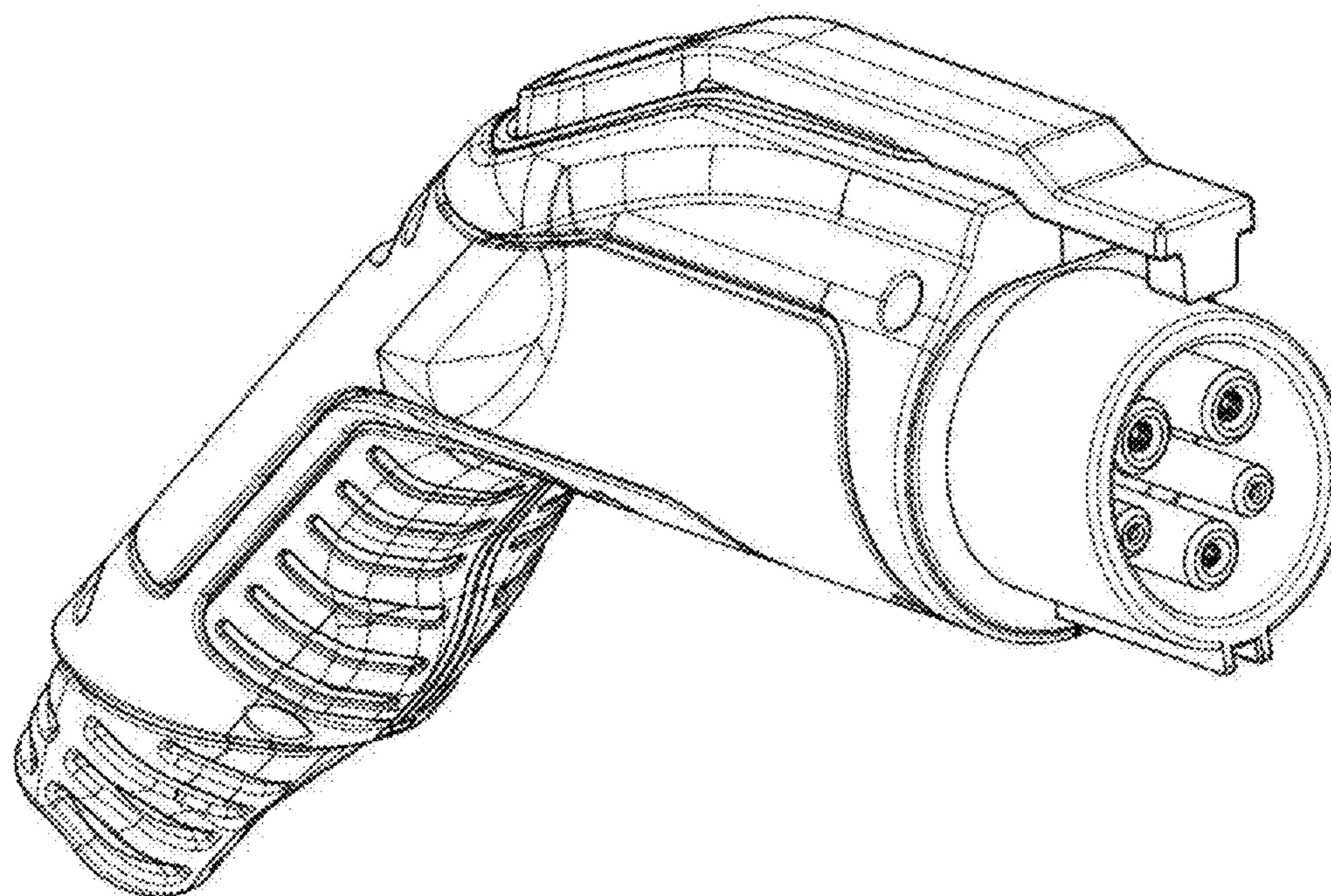
(52) **U.S. Cl.**
USPC **D13/146**

(58) **Field of Classification Search**
USPC D13/146, 147, 154, 184, 199
CPC H01R 13/04; H01R 13/506; H01R 13/56;
H01R 13/58; H01R 13/5804; H01R
13/44; H01R 13/62; H01R 13/625; H01R

DESCRIPTION

FIG. 1 is a top left front perspective view of a connecting plug showing our new design;
FIG. 2 is a bottom plan view thereof;
FIG. 3 is a right side elevational view thereof;
FIG. 4 is a front elevational view thereof;
FIG. 5 is a left side elevational view thereof;
FIG. 6 is a rear elevational view thereof; and,
FIG. 7 is a top plan view thereof.

1 Claim, 7 Drawing Sheets



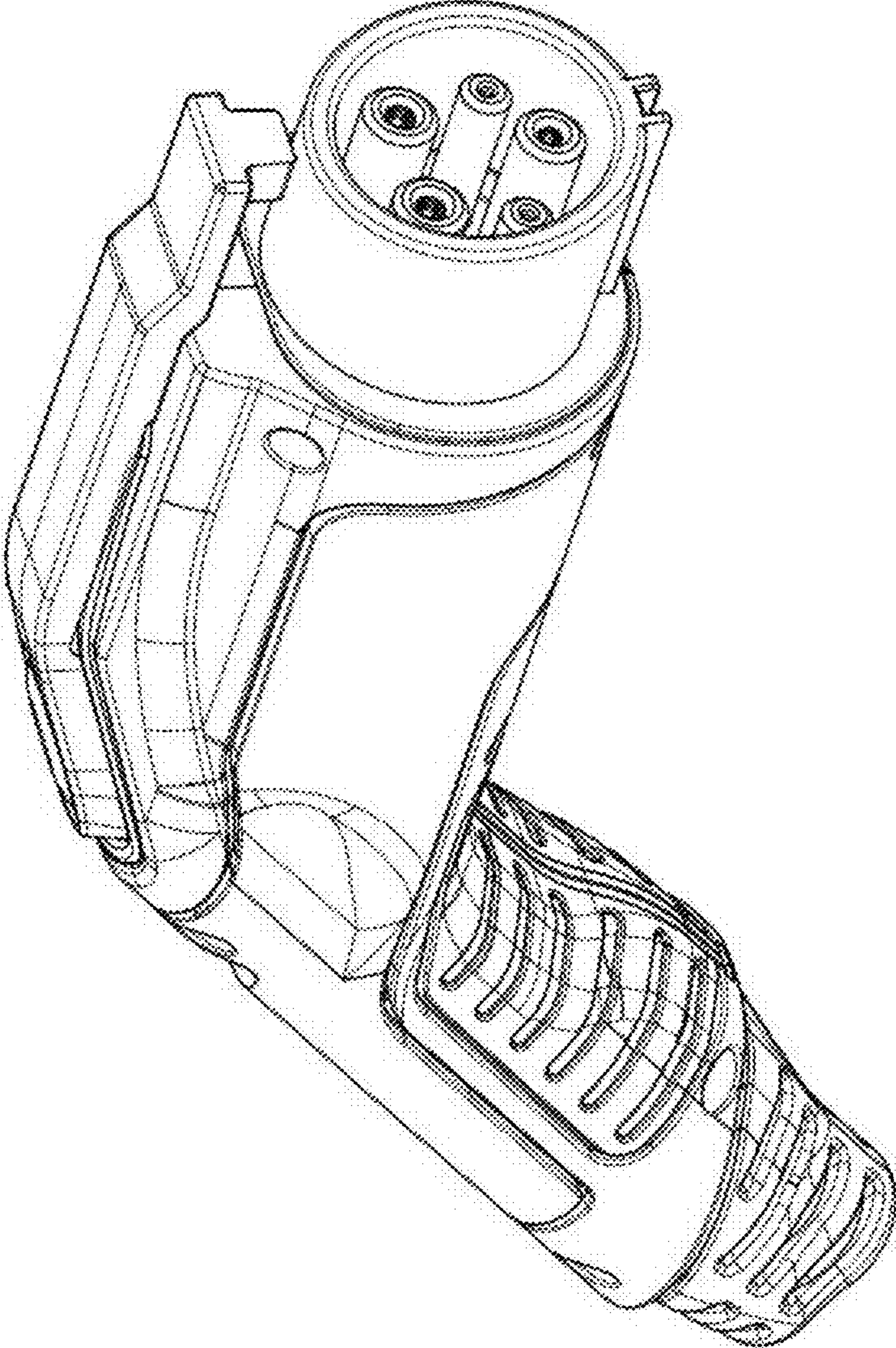


Fig. 1

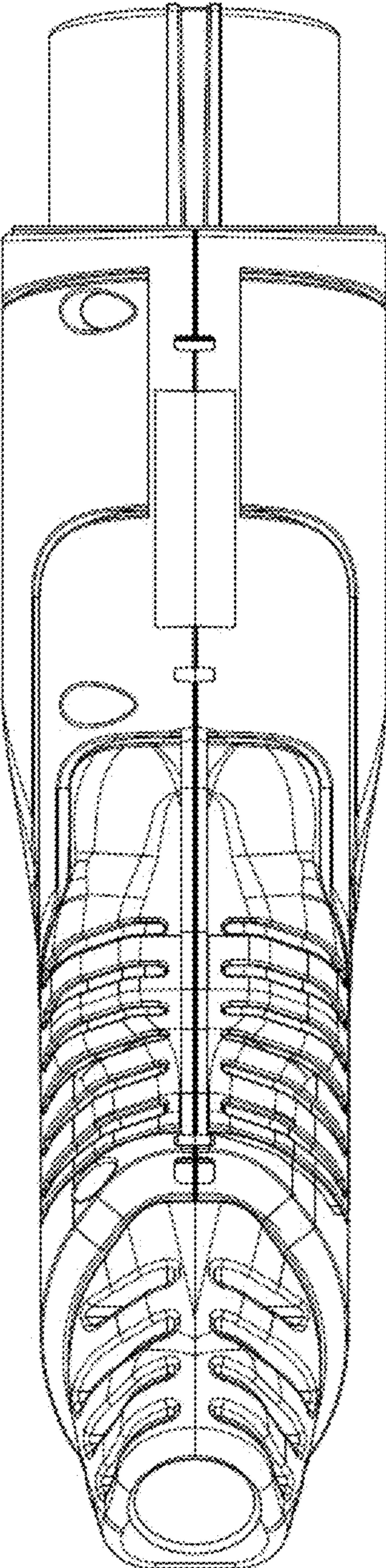


Fig. 2

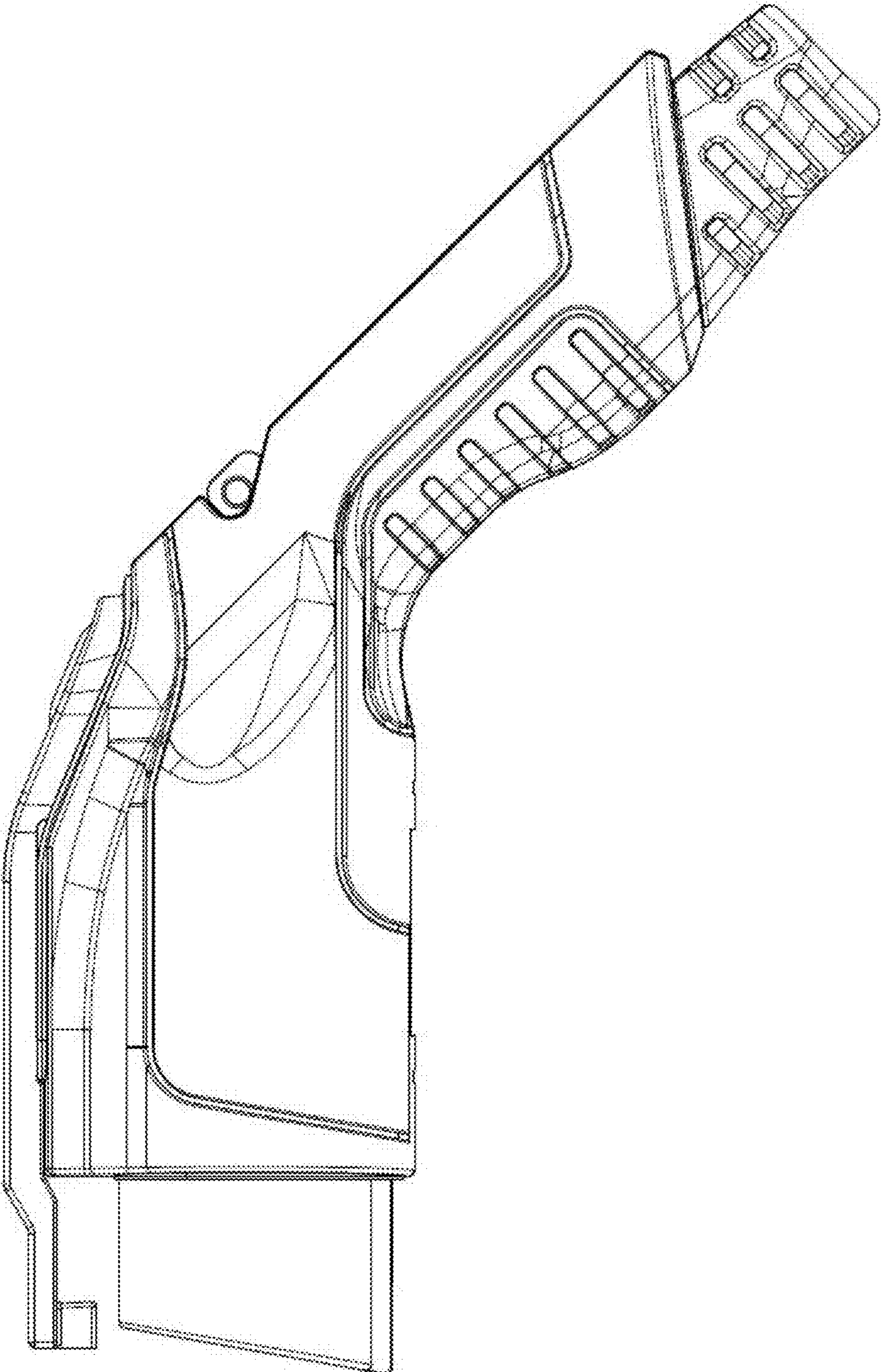


Fig. 3

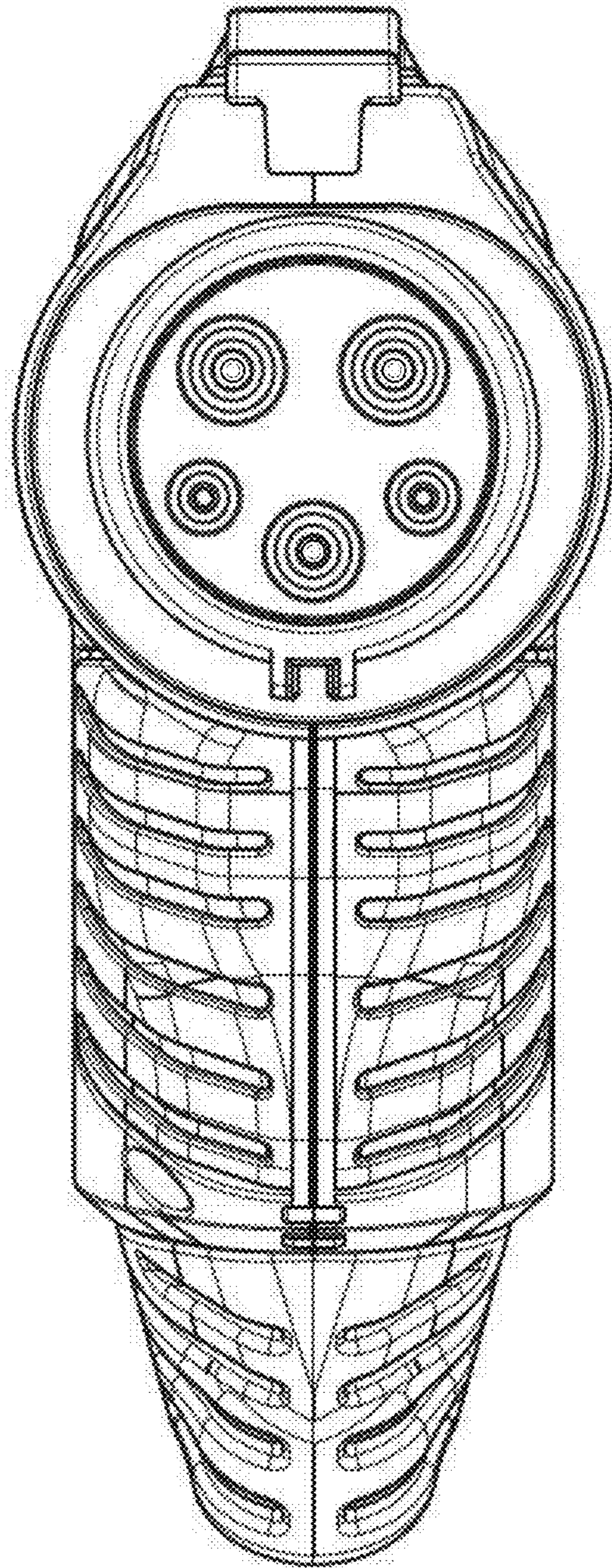


Fig. 4

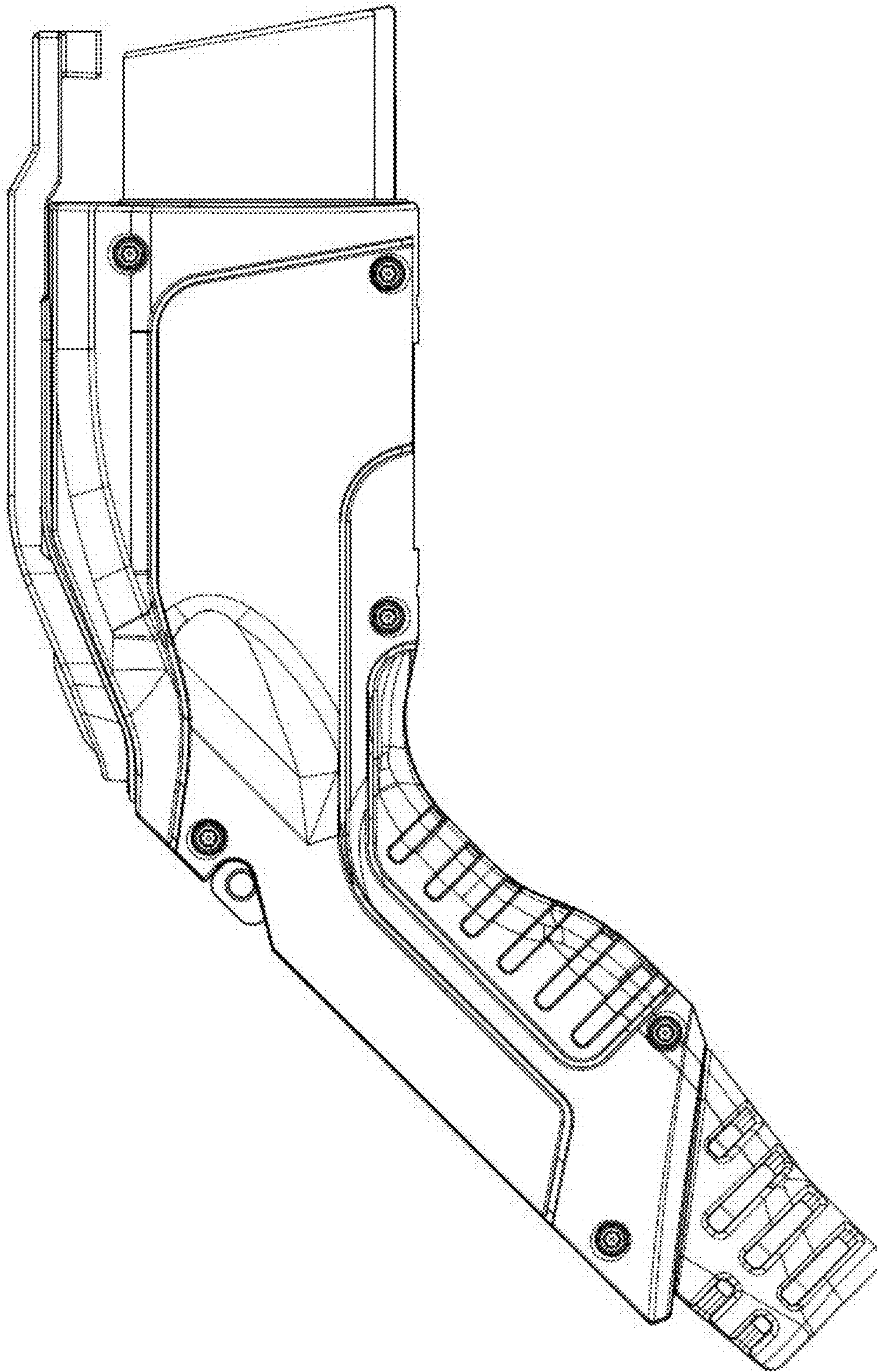


Fig. 5

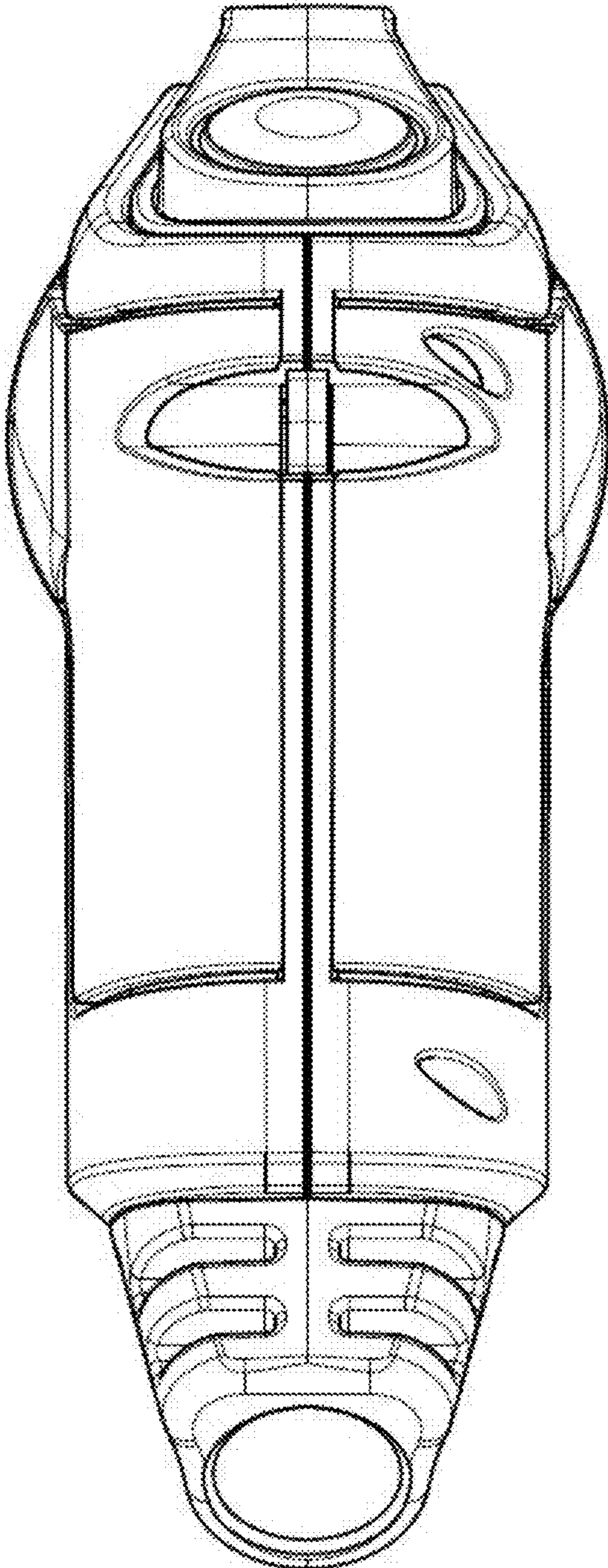


Fig. 6

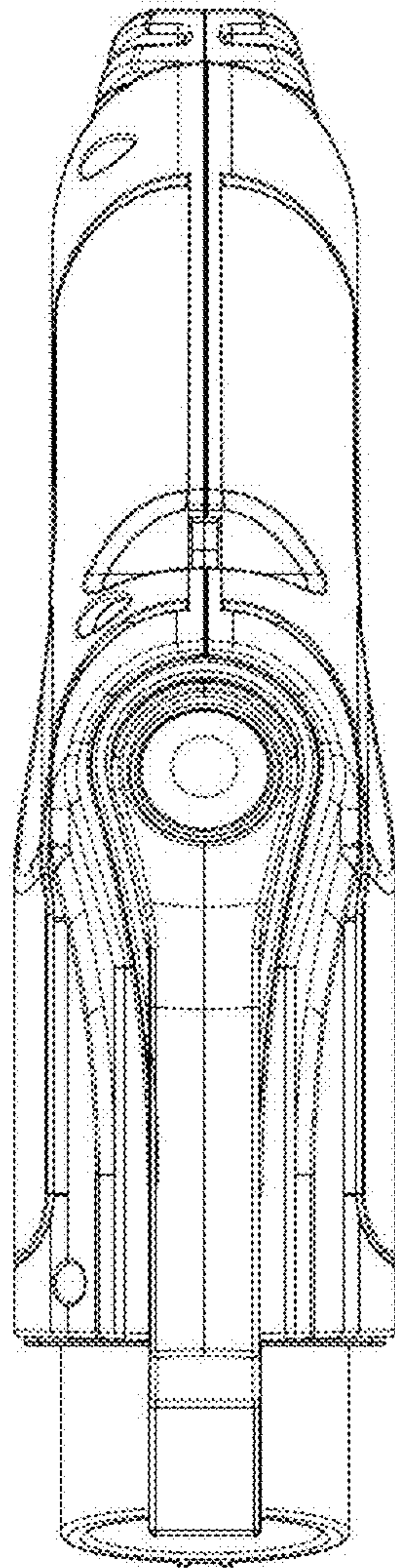


Fig. 7