

US00D797051S

(12) **United States Design Patent**
Gzybowski

(10) **Patent No.:** **US D797,051 S**

(45) **Date of Patent:** **** Sep. 12, 2017**

(54) **ELECTRICAL PLUG**

(71) Applicant: **Michael S. Gzybowski**, Ann Arbor, MI
(US)

(72) Inventor: **Michael S. Gzybowski**, Ann Arbor, MI
(US)

(**) Term: **15 Years**

(21) Appl. No.: **29/527,684**

(22) Filed: **May 21, 2015**

(51) **LOC (10) Cl.** **13-03**

(52) **U.S. Cl.**
USPC **D13/138.1**

(58) **Field of Classification Search**
USPC D13/138.1, 156, 133, 170, 110;
D14/492, 489, 485, 486, 487; D11/79;
D20/23; D9/667; 439/369, 668
CPC H01R 13/6581; H01R 13/5808; H01R
24/28
See application file for complete search history.

(56) **References Cited**

U.S. PATENT DOCUMENTS

D324,189 S *	2/1992	Makoshi	D11/79
D391,993 S *	3/1998	Raffa	D20/23
D454,488 S *	3/2002	Davis	D9/667
D495,996 S *	9/2004	Parel	D13/138.1
D635,919 S *	4/2011	Ahola	D13/138.1
D675,168 S *	1/2013	Yass	D13/170
8,734,178 B2 *	5/2014	Inagaki	H01R 13/5808 439/369
D727,336 S *	4/2015	Allison	D14/485
9,017,104 B2 *	4/2015	Powley	H01R 24/28 439/668
D731,970 S *	6/2015	Kamath	D13/110
D734,259 S *	7/2015	Cepress	D13/110
D735,232 S *	7/2015	McCormack	D14/487
D740,232 S *	10/2015	Auguste	D13/156
D741,370 S *	10/2015	Torres	D14/492

D741,877 S *	10/2015	Torres	D14/485
D742,409 S *	11/2015	Perez	D14/489
D749,046 S *	2/2016	Curry	H01R 13/6581 D13/133
D755,846 S *	5/2016	Lee	D14/492

(Continued)

OTHER PUBLICATIONS

“SoftIcons—Plus Icon” reference dated May 2, 2013; found on the internet at: http://www.softicons.com/toolbaricons/ravenna3diconsbydoublejdesign/addicon.*

(Continued)

Primary Examiner — Rhea Shields

(57) **CLAIM**

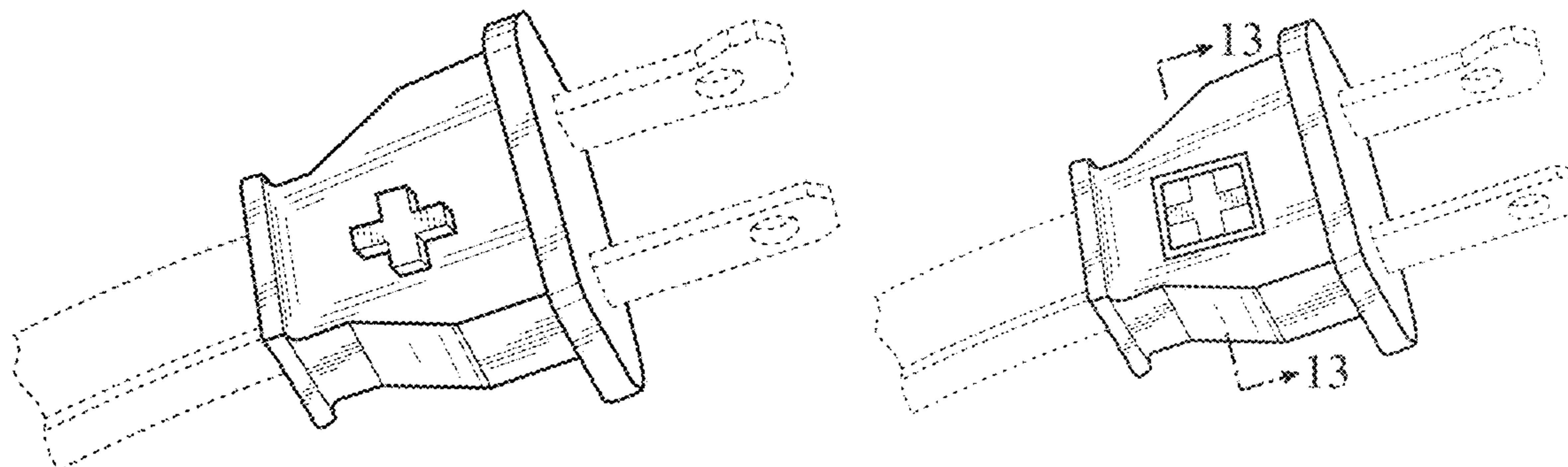
The ornamental design for an electrical plug, as shown and described.

DESCRIPTION

FIG. 1 is a top perspective view showing my new design; FIG. 2 is a top view thereof; FIG. 3 is a left elevation side view thereof; FIG. 4 is a right elevation side view thereof; FIG. 5 is a top perspective view showing a second embodiment of my new design; FIG. 6 is a top view of the second embodiment; FIG. 7 is a left side view of the second embodiment; FIG. 8 is a right side view of the second embodiment; FIG. 9 is a top perspective view showing a third embodiment of my new design; FIG. 10 is a top view of the third embodiment; FIG. 11 is a left side view of the third embodiment; FIG. 12 is a right side view of the third embodiment; and, FIG. 13 is a cross-sectional view of the third embodiment taken along section lines 13-13 in FIG. 9.

In the drawings, the broken lines are for the purpose of illustrating environment only and form no part of the claimed design.

1 Claim, 3 Drawing Sheets



(56)

References Cited

U.S. PATENT DOCUMENTS

D760,167 S * 6/2016 Kusano D13/138.1
D764,493 S * 8/2016 Sanderson D14/485
D775,197 S * 12/2016 Thompson D14/489
D777,739 S * 1/2017 Qu D14/486
D777,741 S * 1/2017 Hao D14/486
D777,786 S * 1/2017 Kim D14/492

OTHER PUBLICATIONS

“File: Plus sign.svg” reference dated Mar. 11, 2007; found on the internet at: https://commons.wikimedia.org/wiki/File:Plus_sign.svg.*

* cited by examiner

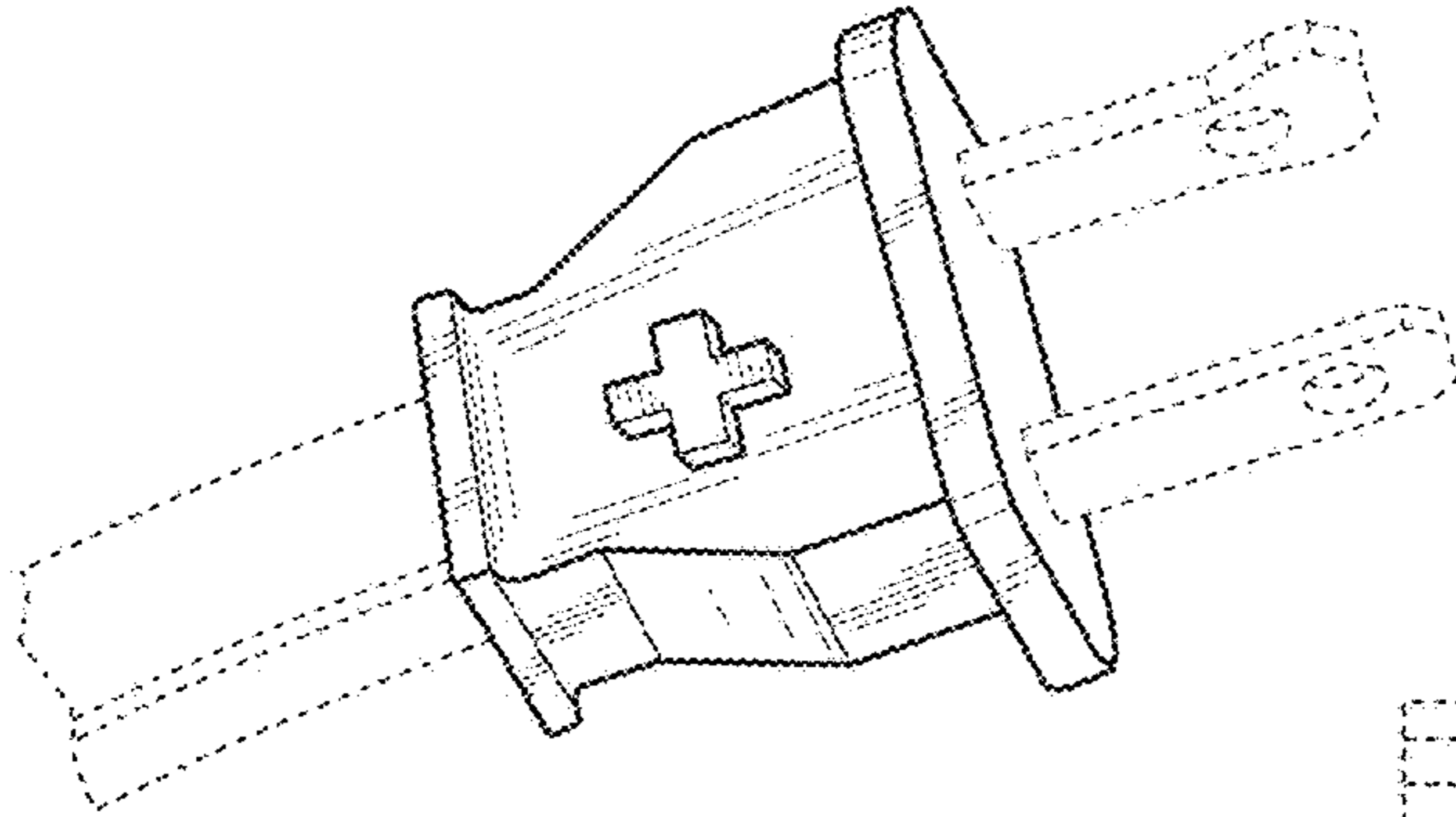


FIG. 1

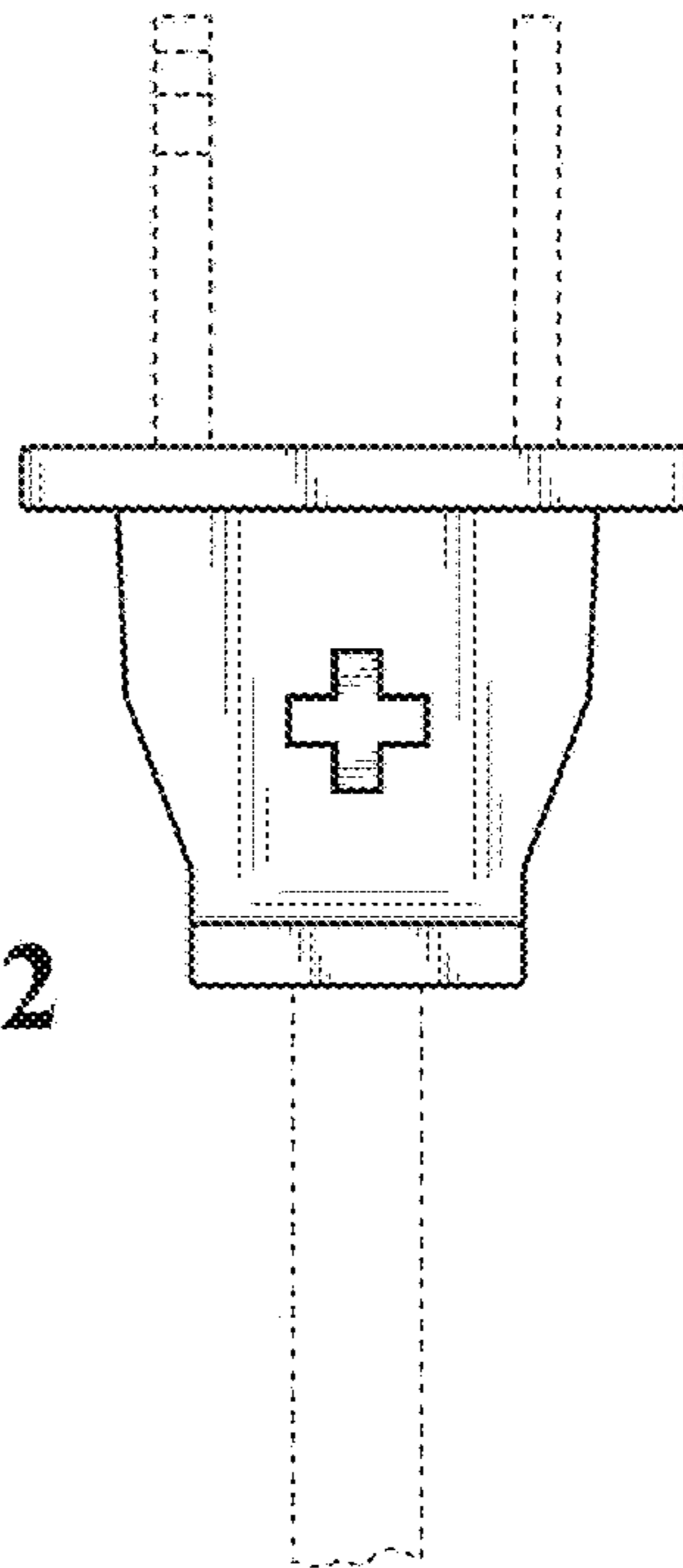


FIG. 2

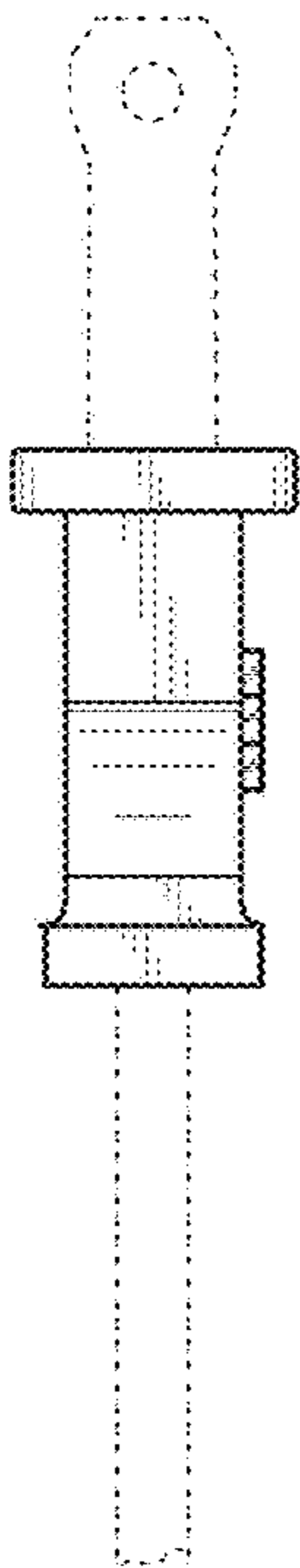


FIG. 3

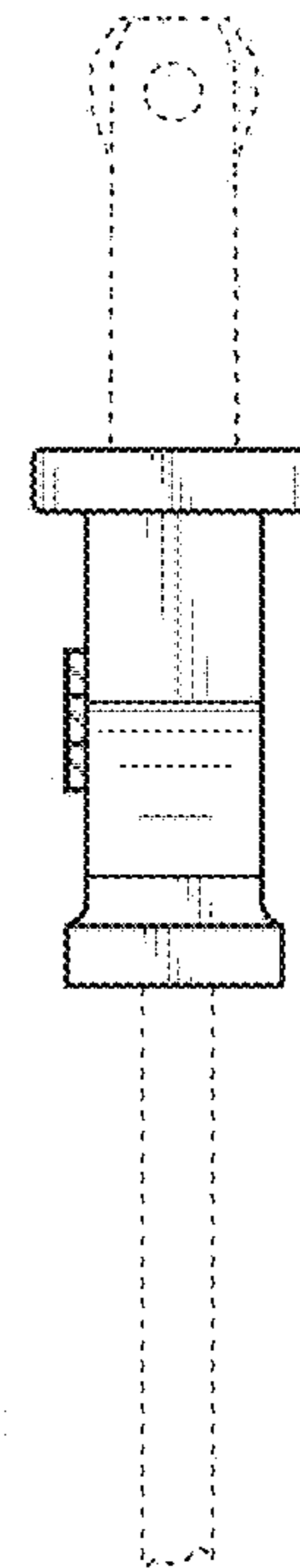


FIG. 4

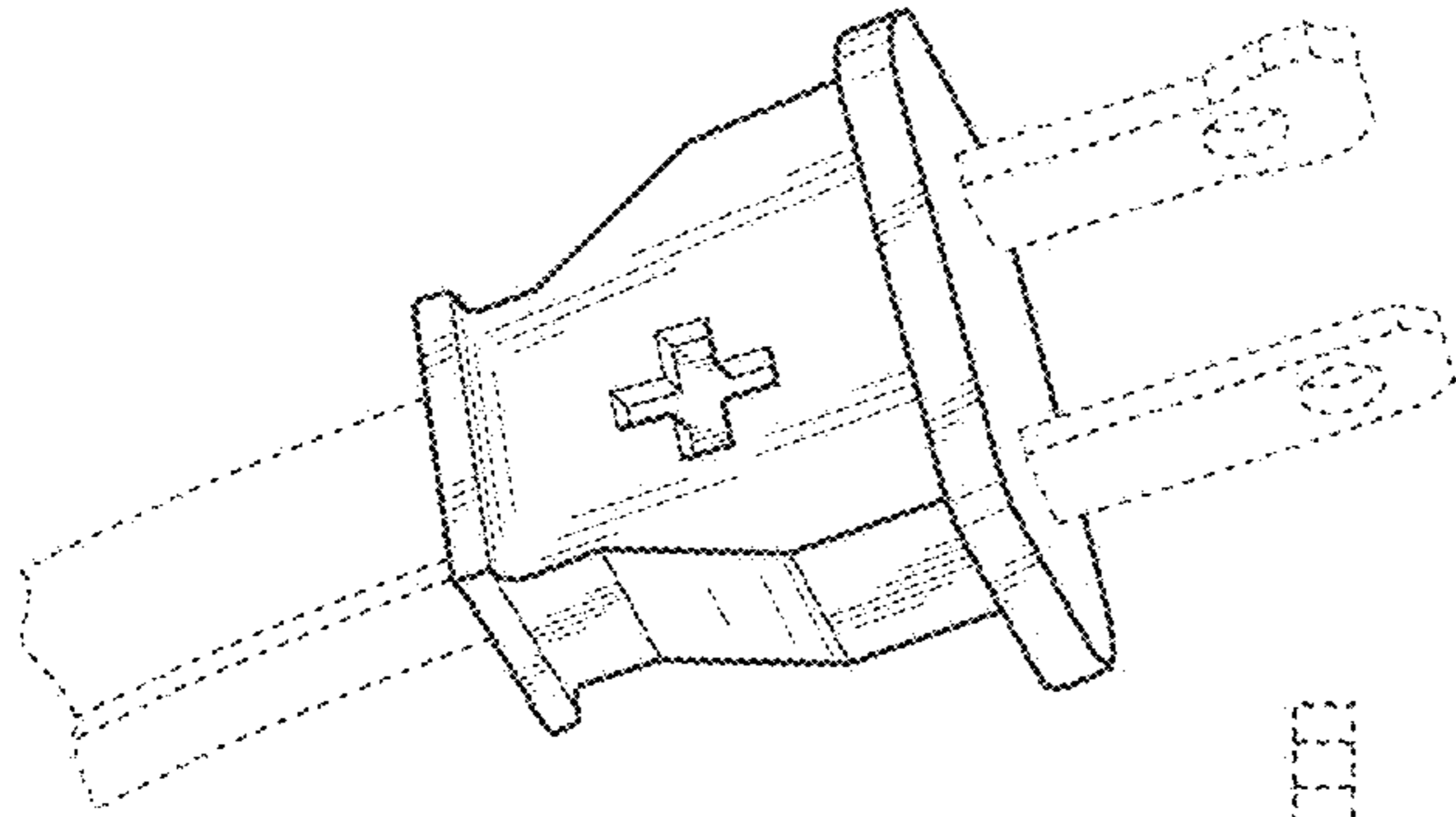


FIG. 5

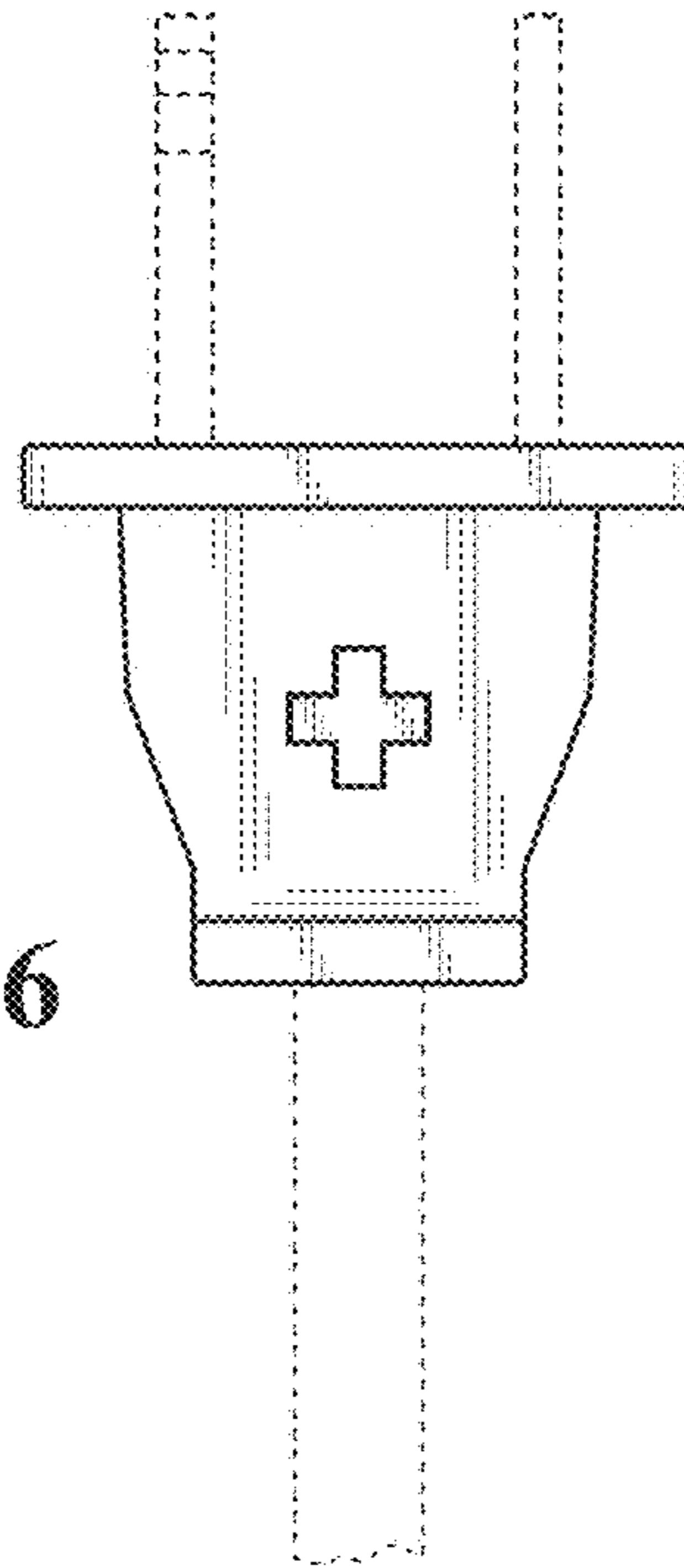


FIG. 6

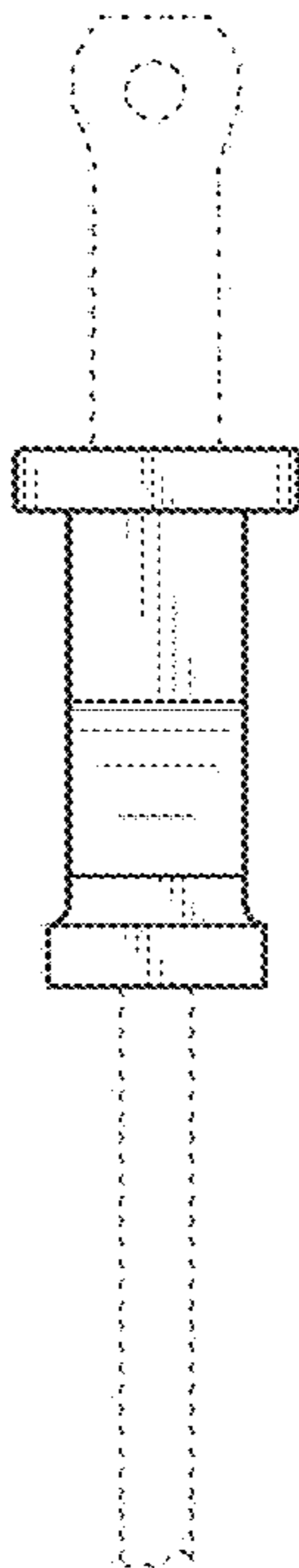


FIG. 7

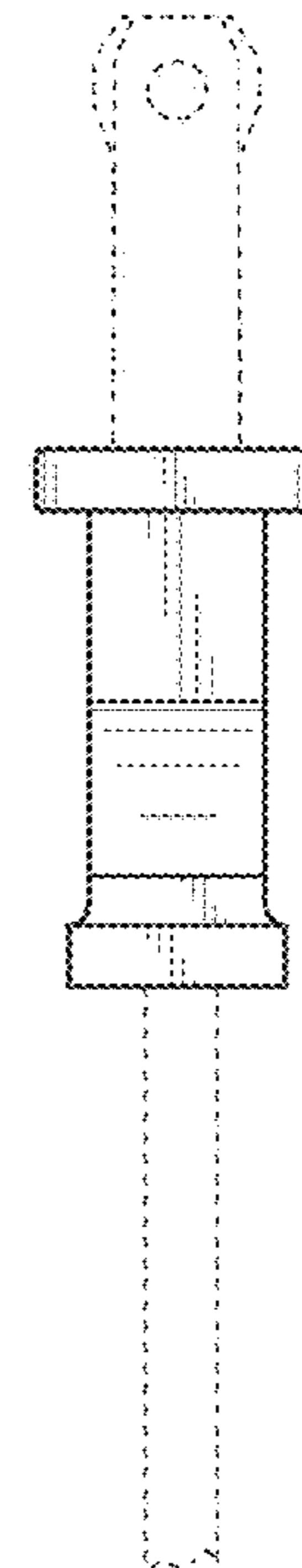


FIG. 8

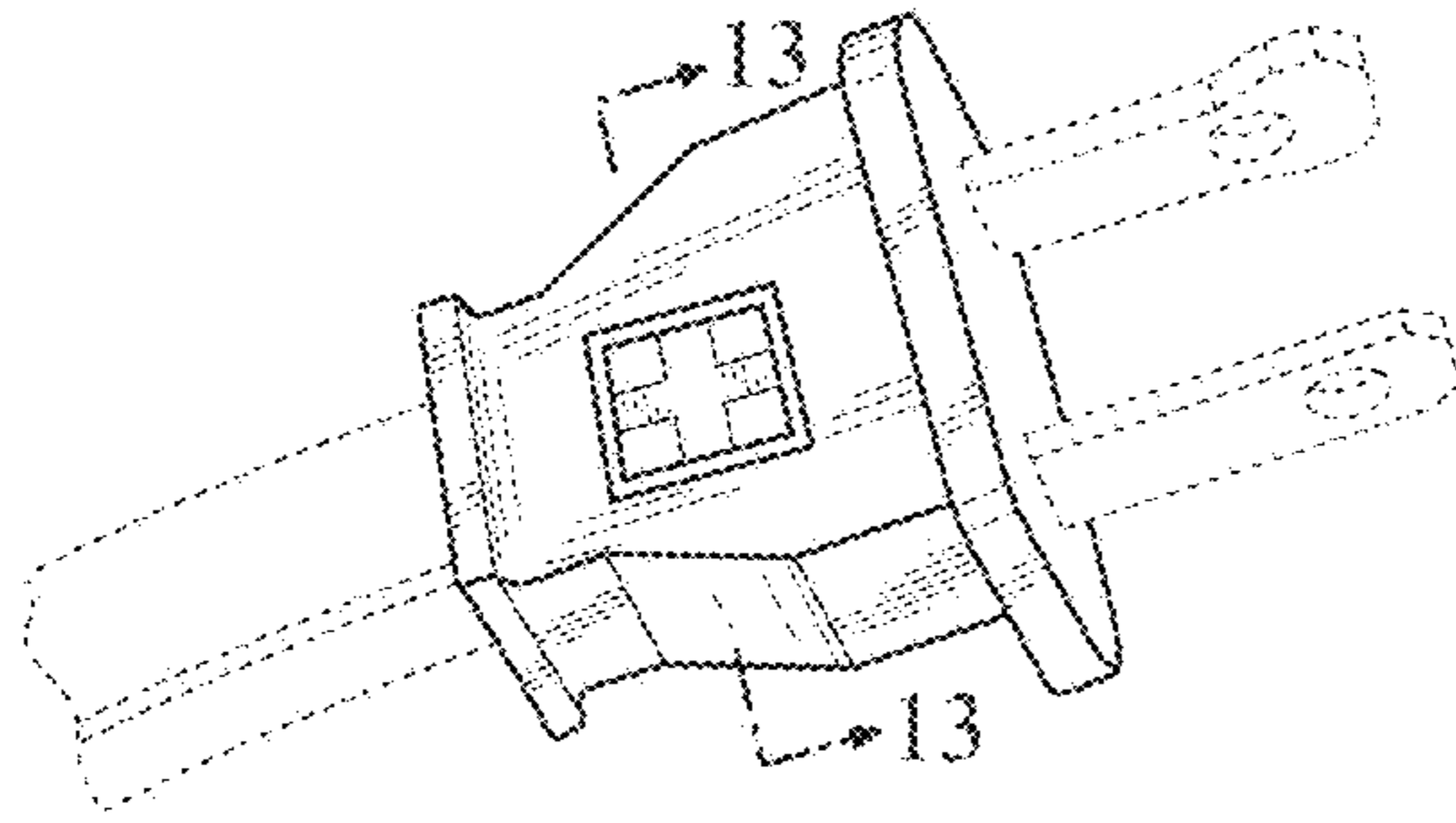


FIG. 9

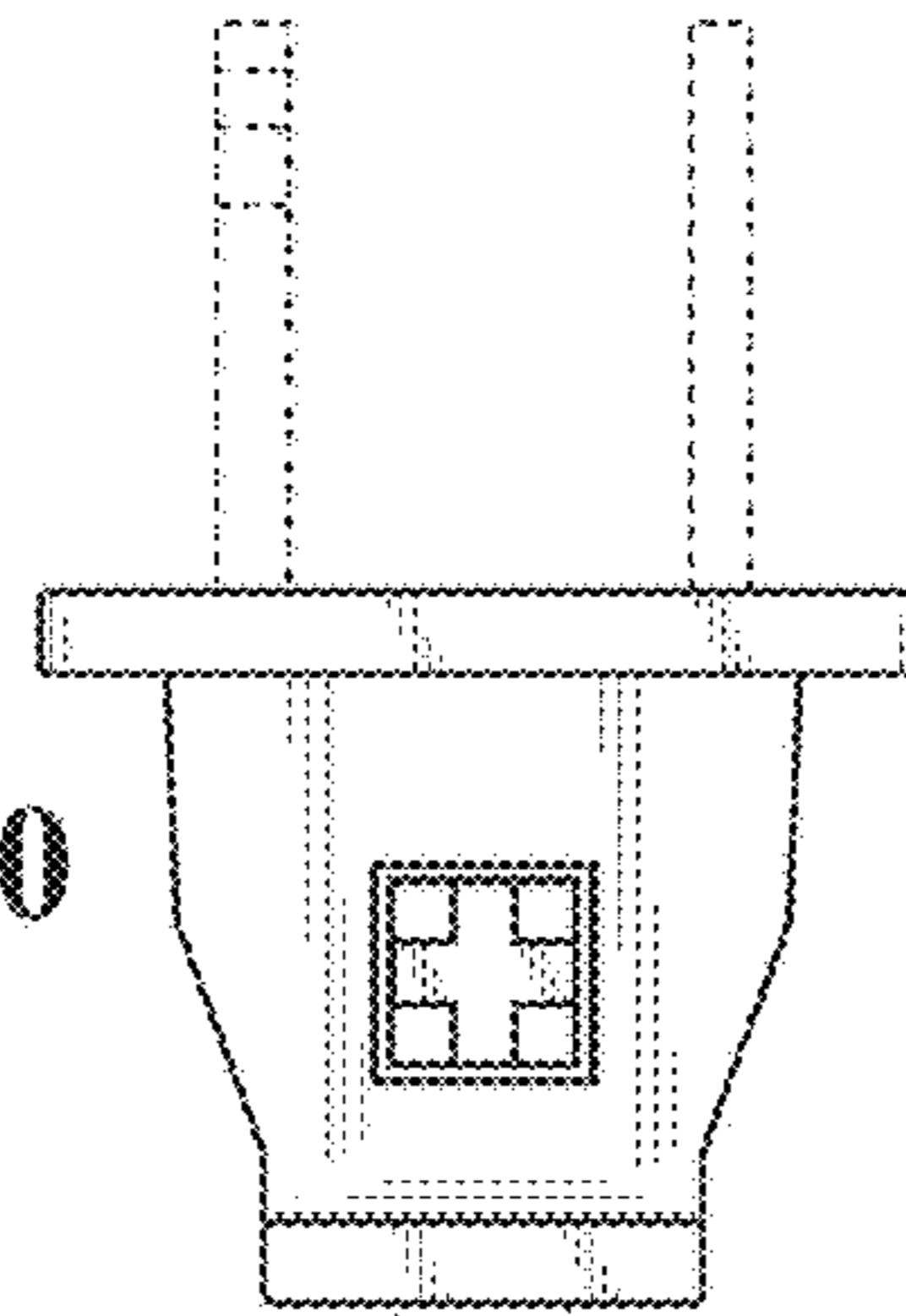


FIG. 10

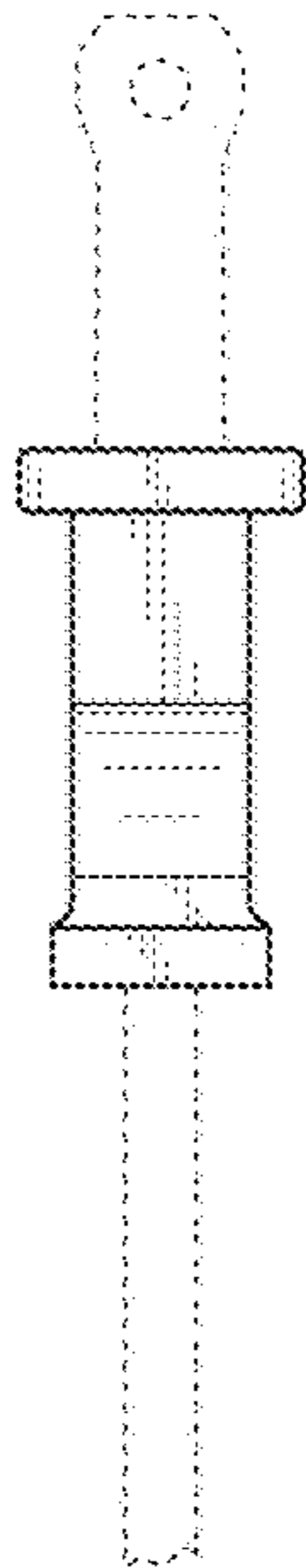


FIG. 11

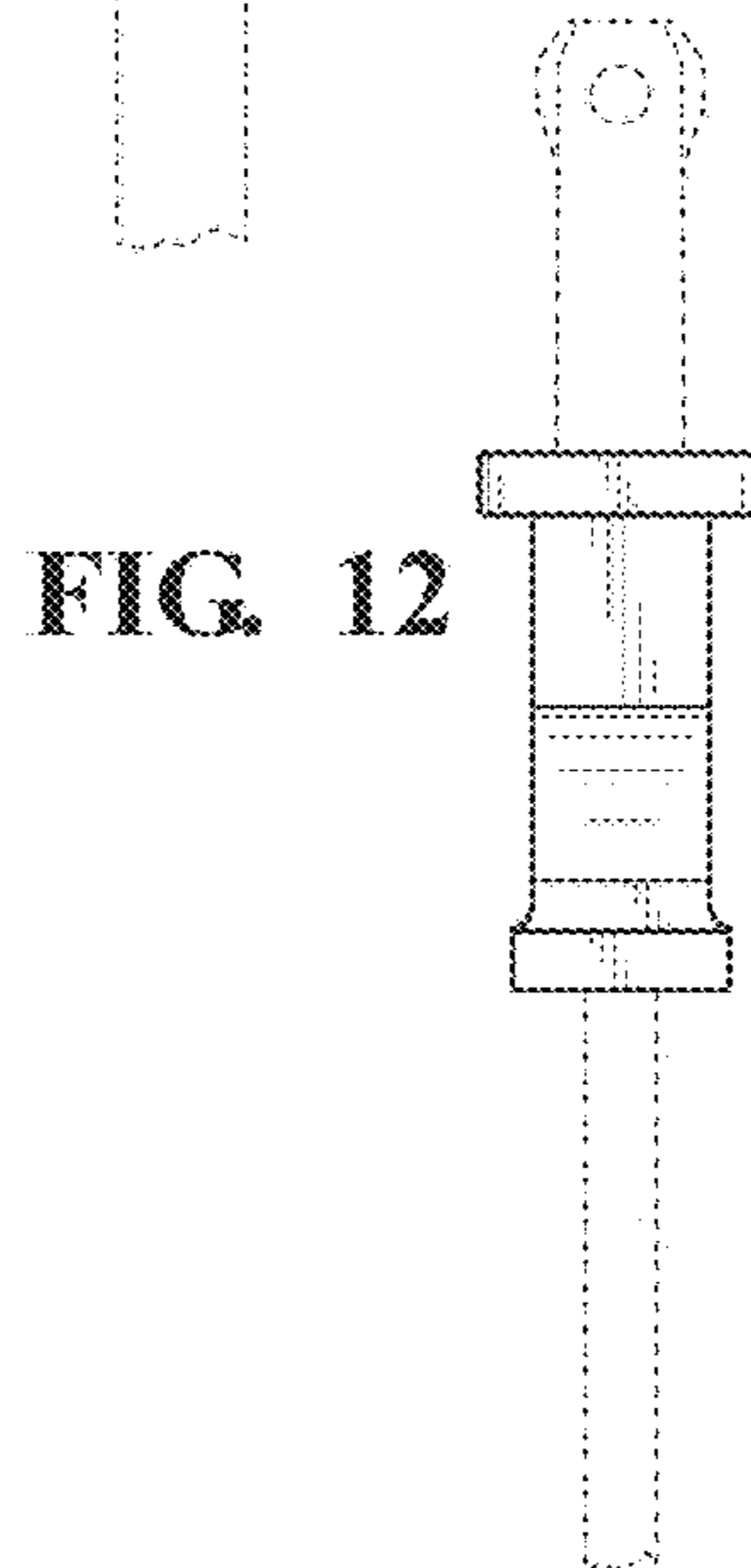


FIG. 12

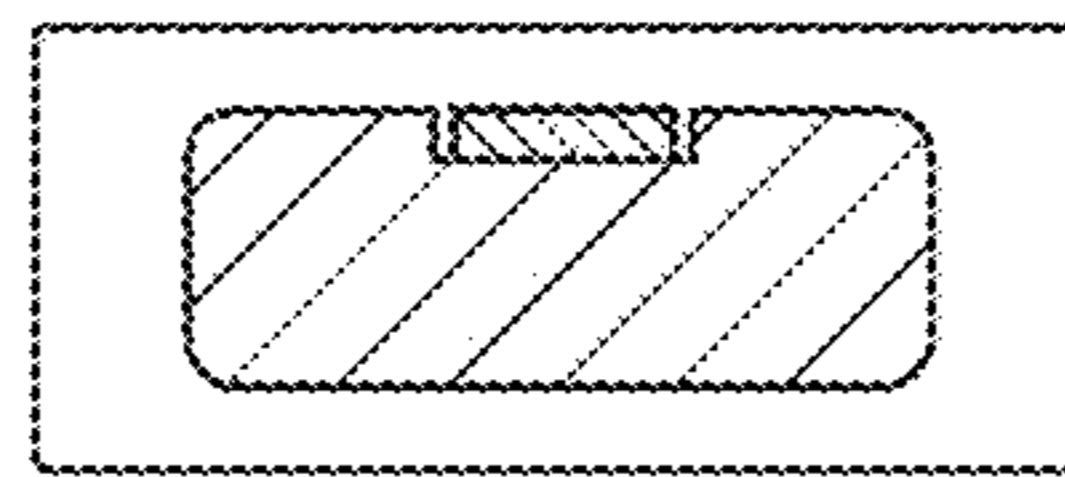


FIG. 13