



US00D797049S

(12) **United States Design Patent**
Keswani et al.

(10) **Patent No.:** **US D797,049 S**

(45) **Date of Patent:** **** Sep. 12, 2017**

(54) **HOUSING WITH A HEAT SINK FOR AN ELECTRICAL CONNECTOR**

(71) Applicant: **IDEAL INDUSTRIES, INC.**,
Sycamore, IL (US)

(72) Inventors: **Sushil N. Keswani**, Sycamore, IL (US);
Timothy B. Tunnell, Sycamore, IL (US);
Adam James Tammisto, DeKalb, IL (US)

(73) Assignee: **IDEAL Industries, Inc.**, Sycamore, IL (US)

(**) Term: **15 Years**

(21) Appl. No.: **29/562,634**

(22) Filed: **Apr. 27, 2016**

(51) **LOC (10) Cl.** **13-03**

(52) **U.S. Cl.**
USPC **D13/133**

(58) **Field of Classification Search**
USPC D13/107, 108, 110, 118, 123, 133, 134,
D13/137.2, 137.3, 139.1, 139.2, 146, 147,
D13/148, 149, 150, 151, 152, 154, 156,
D13/158, 159, 162, 173, 179, 184, 199
CPC H01R 12/718; H01R 12/88; H01R 12/89;
H01R 13/5205; H01R 13/5221; H01R
13/5816; H01R 13/582; H01R 13/5825;
H01R 13/5829; H01R 13/5833; H01R
13/6275; H01R 13/6589; H01R 13/743;
H01R 13/745; H01R 23/727; H01R
31/06; H01R 31/065; H01R 33/00; H01R
33/02; H01R 33/22; H01R 33/46; H01R
33/94; H01R 33/945; H01R 33/955;
H01R 33/96; H01R 33/97; H01R 33/975
See application file for complete search history.

(56) **References Cited**

U.S. PATENT DOCUMENTS

D366,239 S * 1/1996 Eaton D13/146

D366,241 S * 1/1996 Eaton D13/147
D368,071 S * 3/1996 Eaton D13/147
5,739,586 A * 4/1998 Cannizzaro H01L 23/3677
257/706
D408,361 S * 4/1999 Chau D13/147
D410,894 S * 6/1999 Chau D13/147
D411,173 S * 6/1999 Chau D13/147
D453,141 S * 1/2002 Watanabe D13/118
D453,142 S * 1/2002 Watanabe D13/118
7,724,528 B2 * 5/2010 Mahoney H01L 23/3677
165/104.33
D735,139 S * 7/2015 Ikenaka D13/147

* cited by examiner

Primary Examiner — Thomas Johannes

Assistant Examiner — Catherine Ho

(74) *Attorney, Agent, or Firm* — Greenberg Traurig, LLP

(57) **CLAIM**

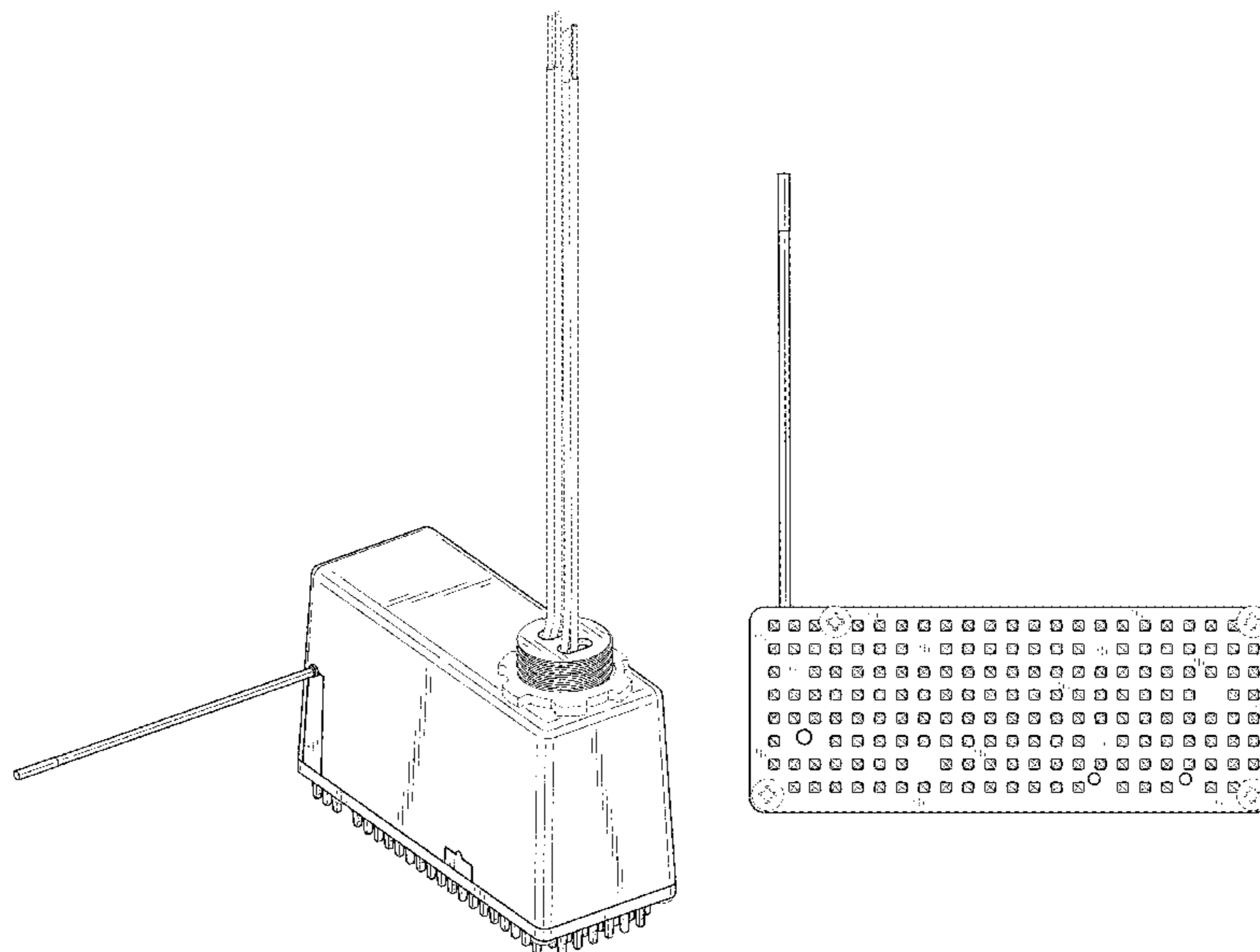
The ornamental design for a housing with a heat sink for an electrical connector, as shown and described.

DESCRIPTION

FIG. 1 is a front perspective view of a housing with a heat sink for an electrical connector showing our new design; FIG. 2 is a rear perspective view in which the environment has been removed for clarity of illustration; FIG. 3 is a front side elevational view thereof; FIG. 4 is a rear side elevational view thereof; FIG. 5 is a right side elevational view thereof; FIG. 6 is a left side elevational view thereof; FIG. 7 is a top plan view thereof; and, FIG. 8 is a bottom view thereof.

The broken lines portion of the figure drawings is included to show portions of the article that form no part of the claimed design.

1 Claim, 6 Drawing Sheets



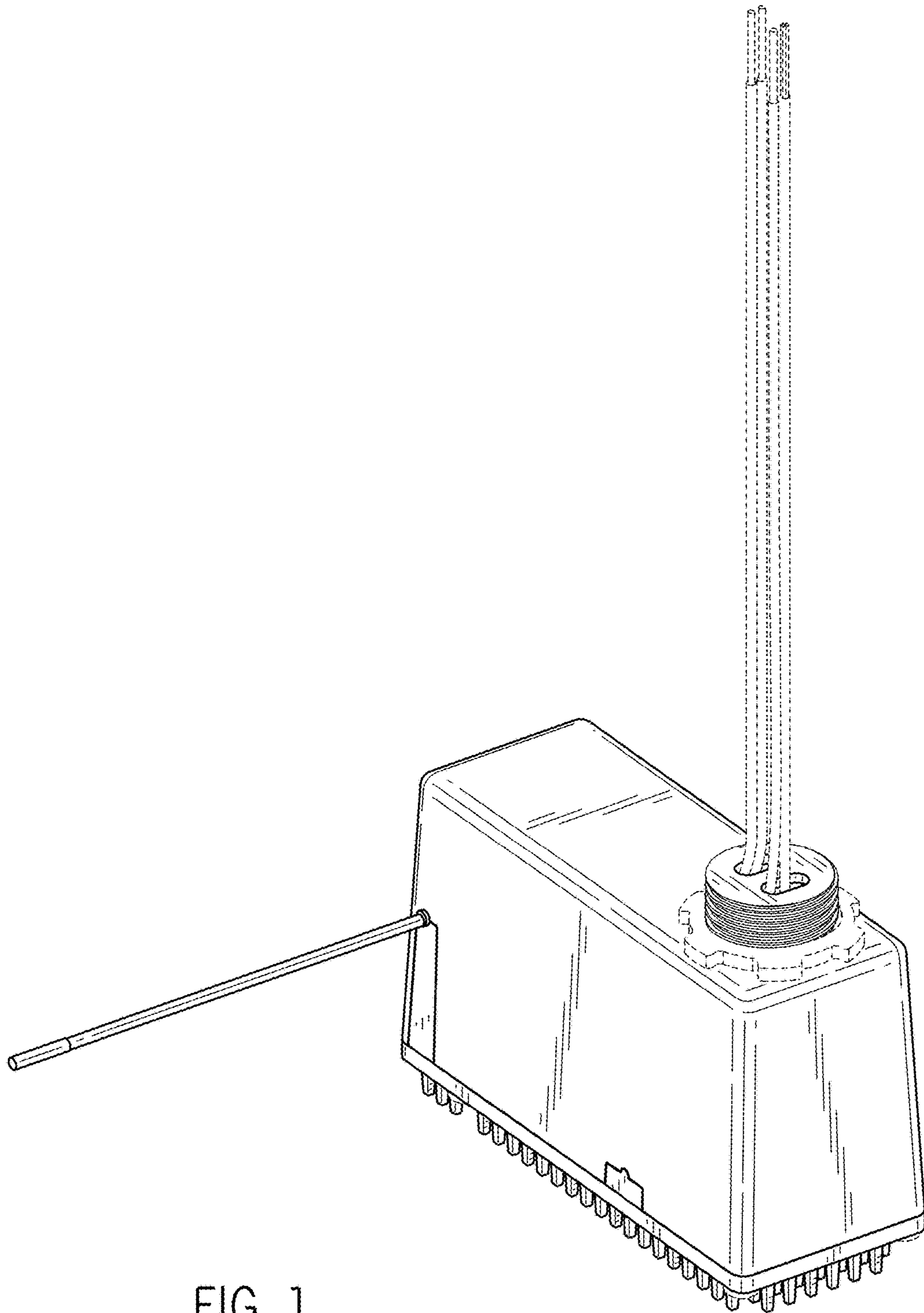


FIG. 1

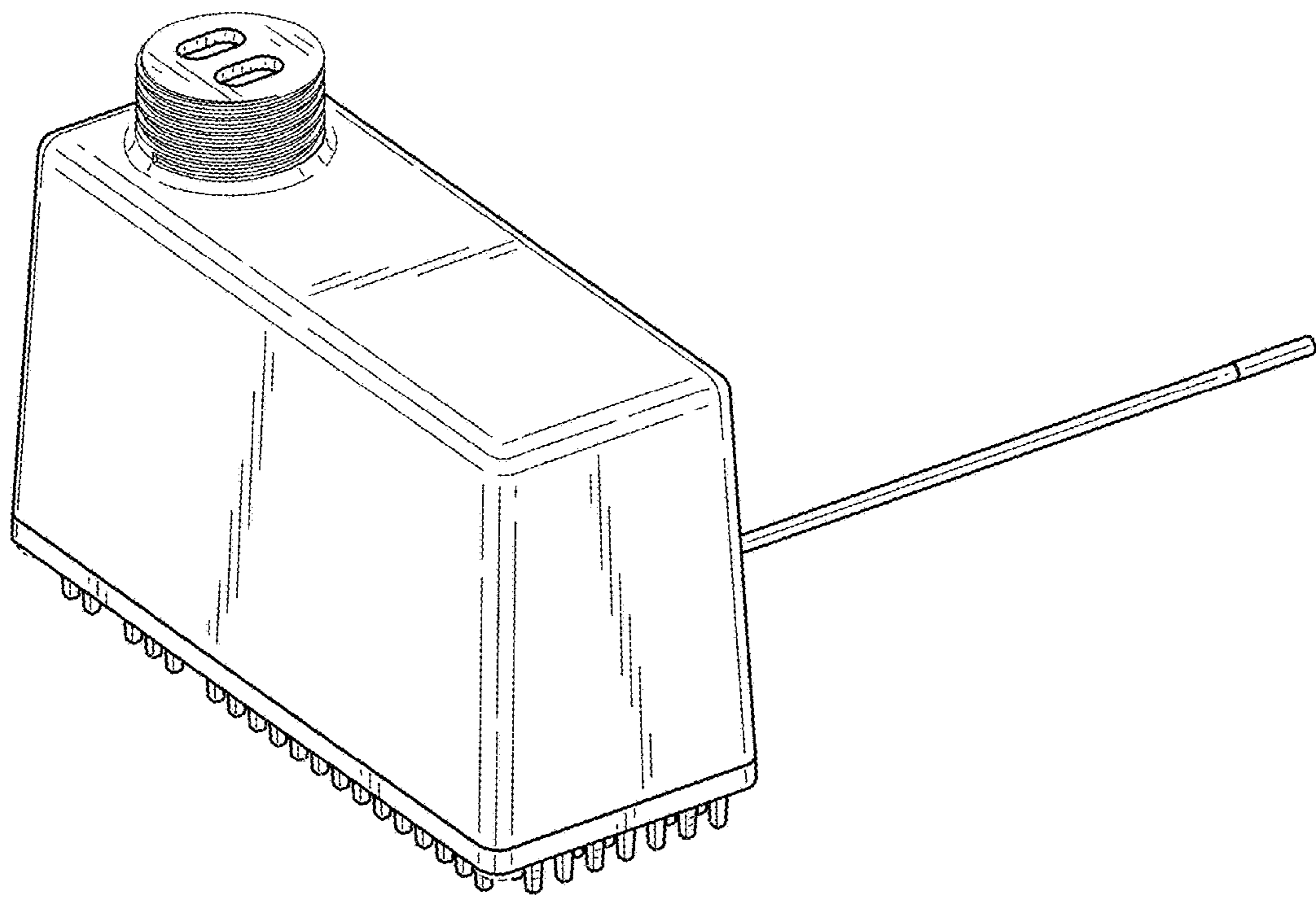


FIG. 2

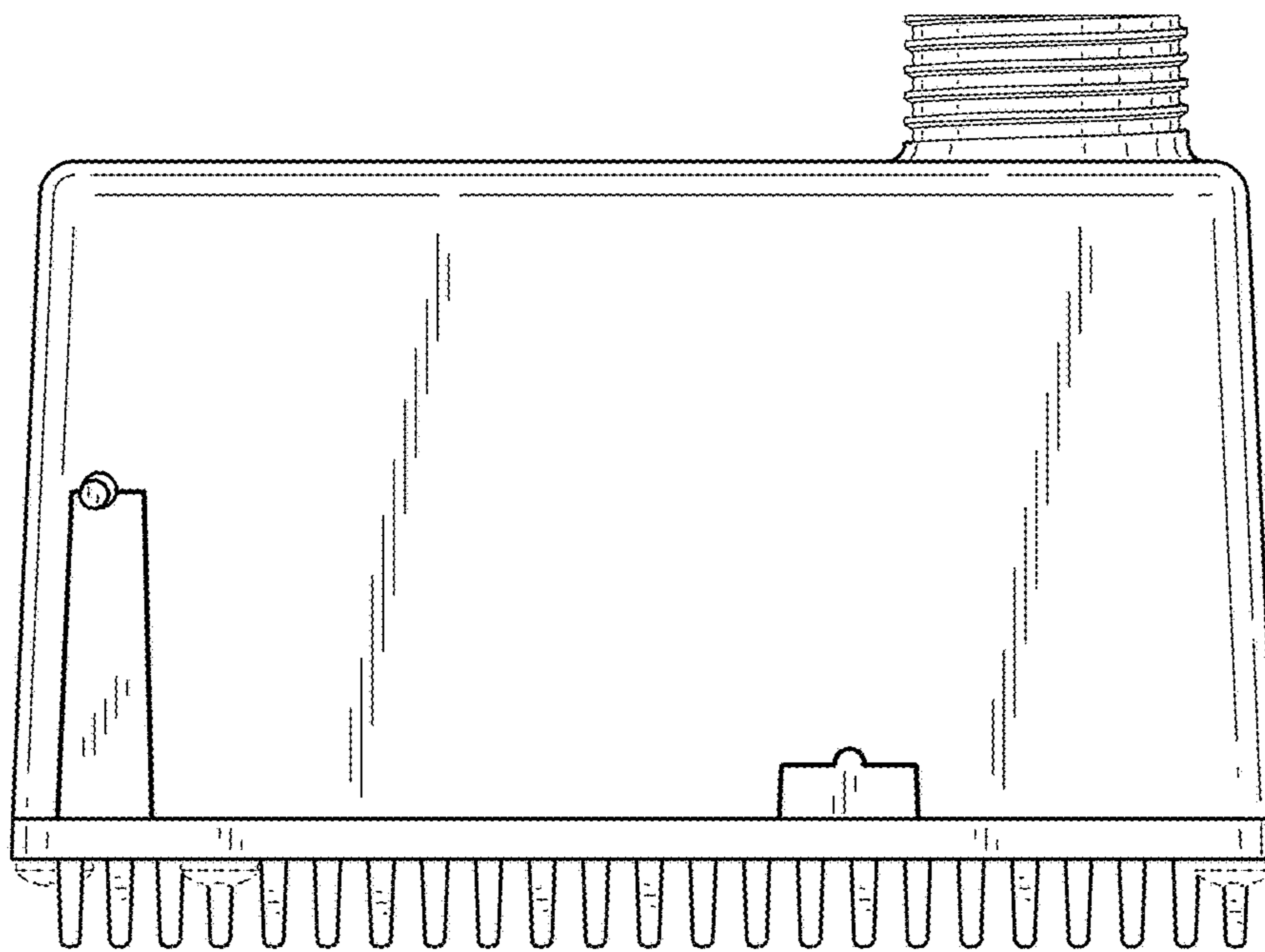


FIG. 3

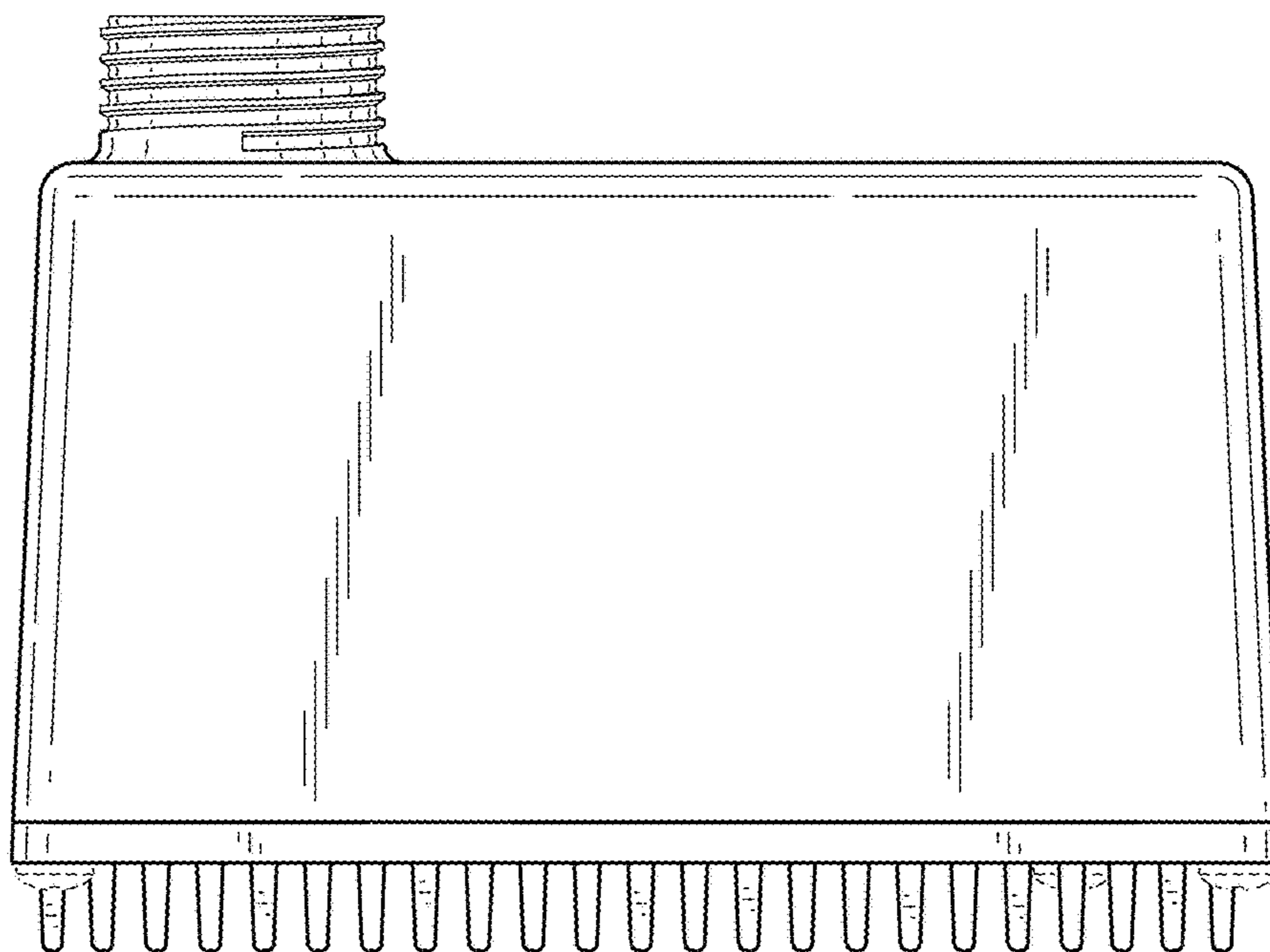


FIG. 4

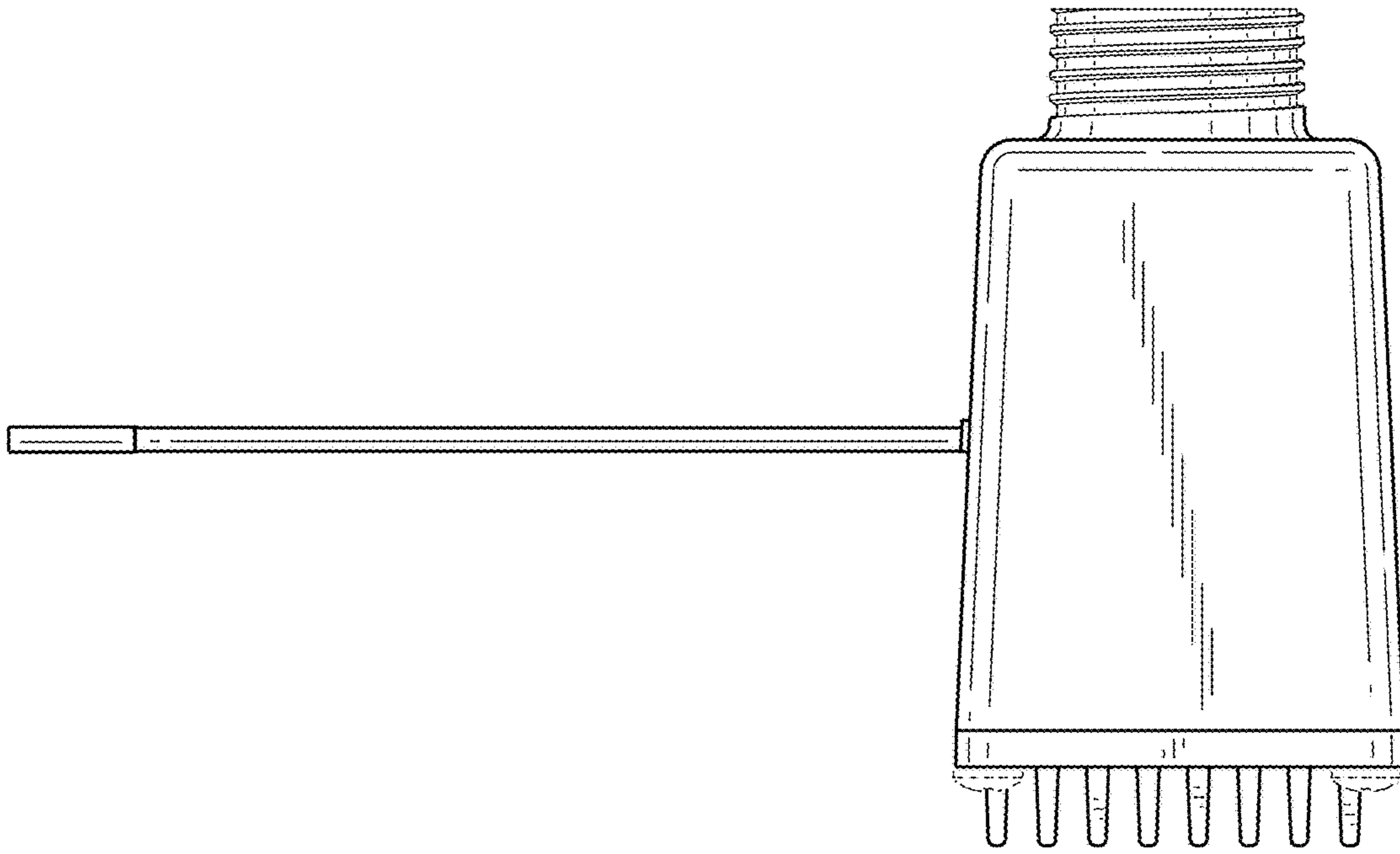


FIG. 5

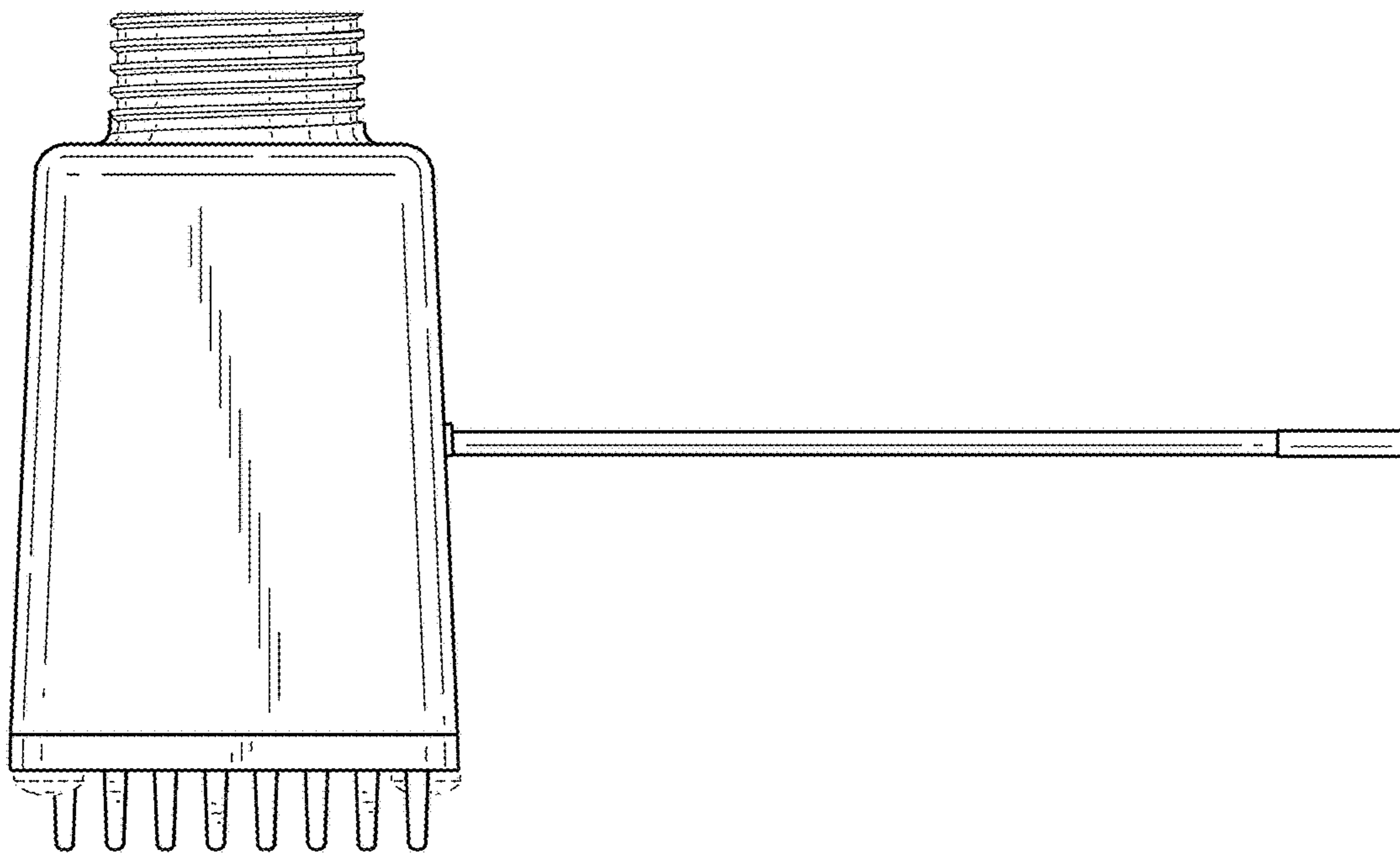


FIG. 6

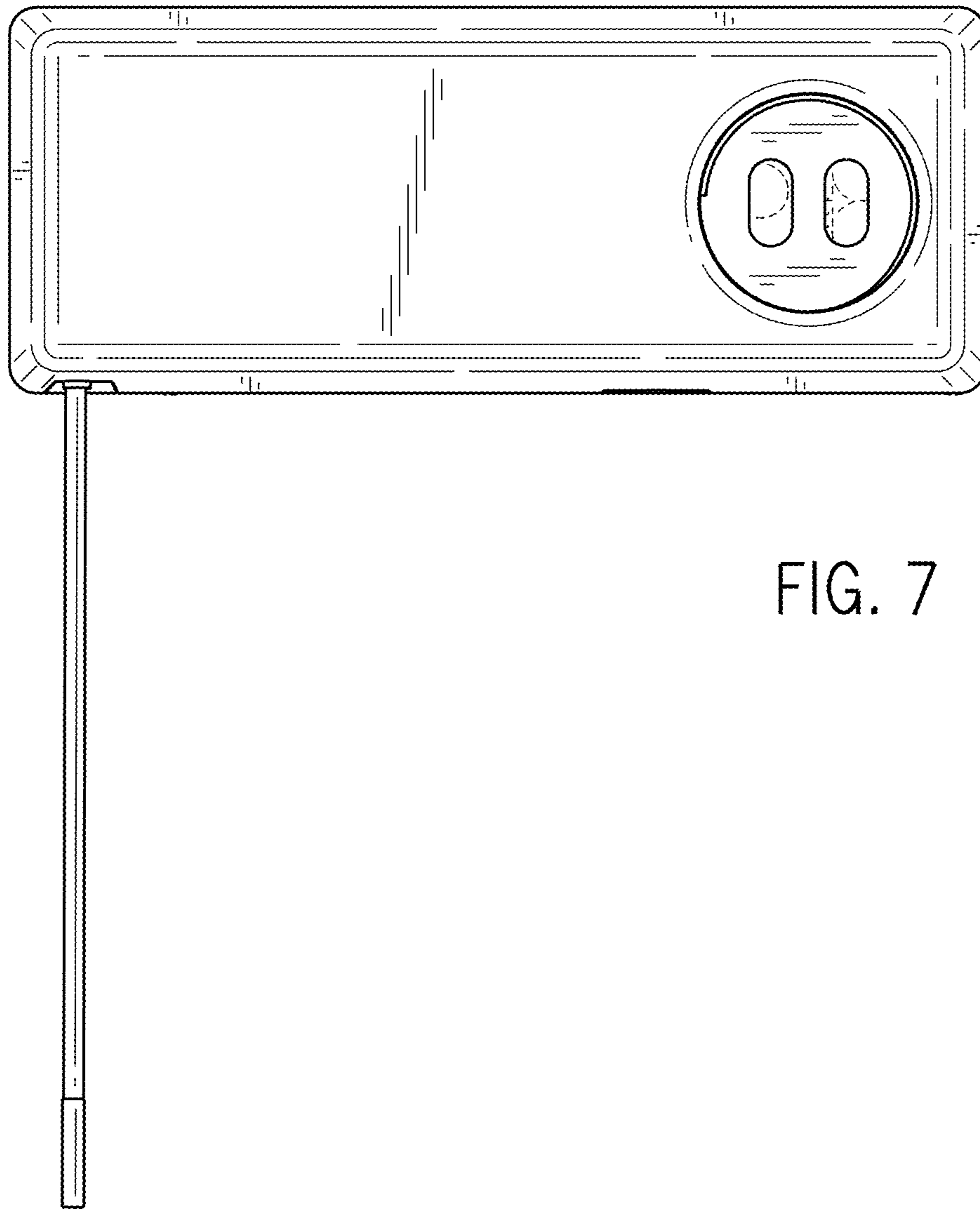


FIG. 7

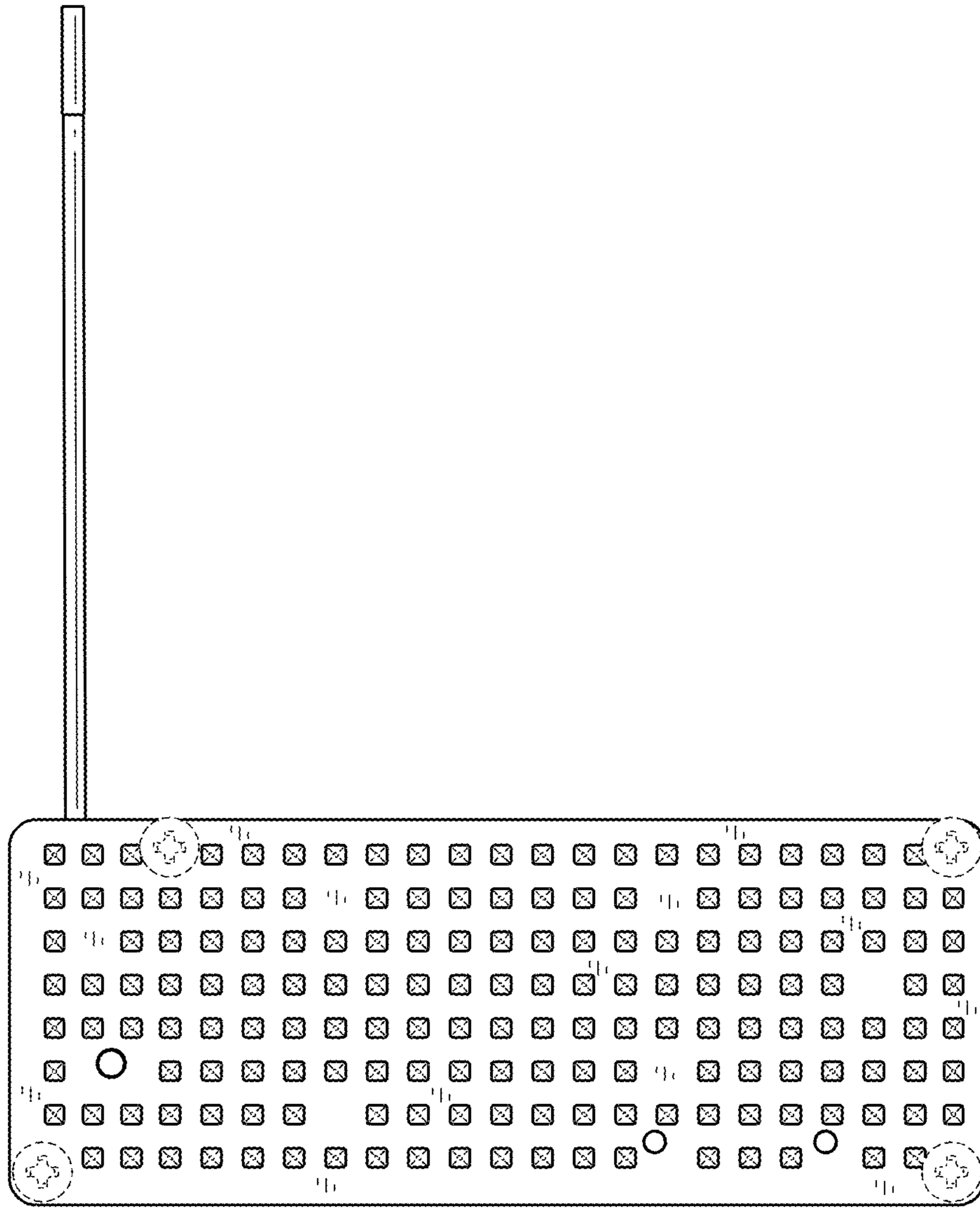


FIG. 8