



US00D797048S

(12) **United States Design Patent**
Barekar et al.

(10) **Patent No.:** **US D797,048 S**

(45) **Date of Patent:** **** Sep. 12, 2017**

(54) **GENERATOR ADAPTOR**

(71) Applicant: **Cummins Generator Technologies Limited**, Peterborough (GB)

(72) Inventors: **Swapnil Barekar**, Pune (IN); **Rahul Mule**, Pune (IN)

(73) Assignee: **Cummins Generator Technologies Limited**, Peterborough (GB)

(**) Term: **15 Years**

(21) Appl. No.: **29/554,830**

(22) Filed: **Feb. 16, 2016**

(30) **Foreign Application Priority Data**

Aug. 19, 2015 (EM) 002757336-0001
Aug. 19, 2015 (EM) 002757336-0002

(51) **LOC (10) Cl.** **13-02**

(52) **U.S. Cl.**
USPC **D13/122**

(58) **Field of Classification Search**
USPC D13/122, 114, 112, 148
CPC H01R 27/00; H01R 31/06
See application file for complete search history.

(56) **References Cited**

U.S. PATENT DOCUMENTS

D506,183 S * 6/2005 Hull D13/152
D544,448 S * 6/2007 Hull D13/151

D593,641 S * 6/2009 Plank D23/259
D710,306 S * 8/2014 Ohashi D13/122
D729,165 S * 5/2015 Liu D13/133

* cited by examiner

Primary Examiner — Daniel Bui

Assistant Examiner — Andrew Kerr

(74) *Attorney, Agent, or Firm* — Foley & Lardner LLP

(57) **CLAIM**

We claim the ornamental design for a generator adaptor, as shown and described.

DESCRIPTION

FIG. 1 is a rear perspective view of a generator adaptor showing our new design;

FIG. 2 is a front perspective view thereof;

FIG. 3 is a rear elevational view thereof;

FIG. 4 is a front elevational view thereof;

FIG. 5 is a right side elevational view thereof;

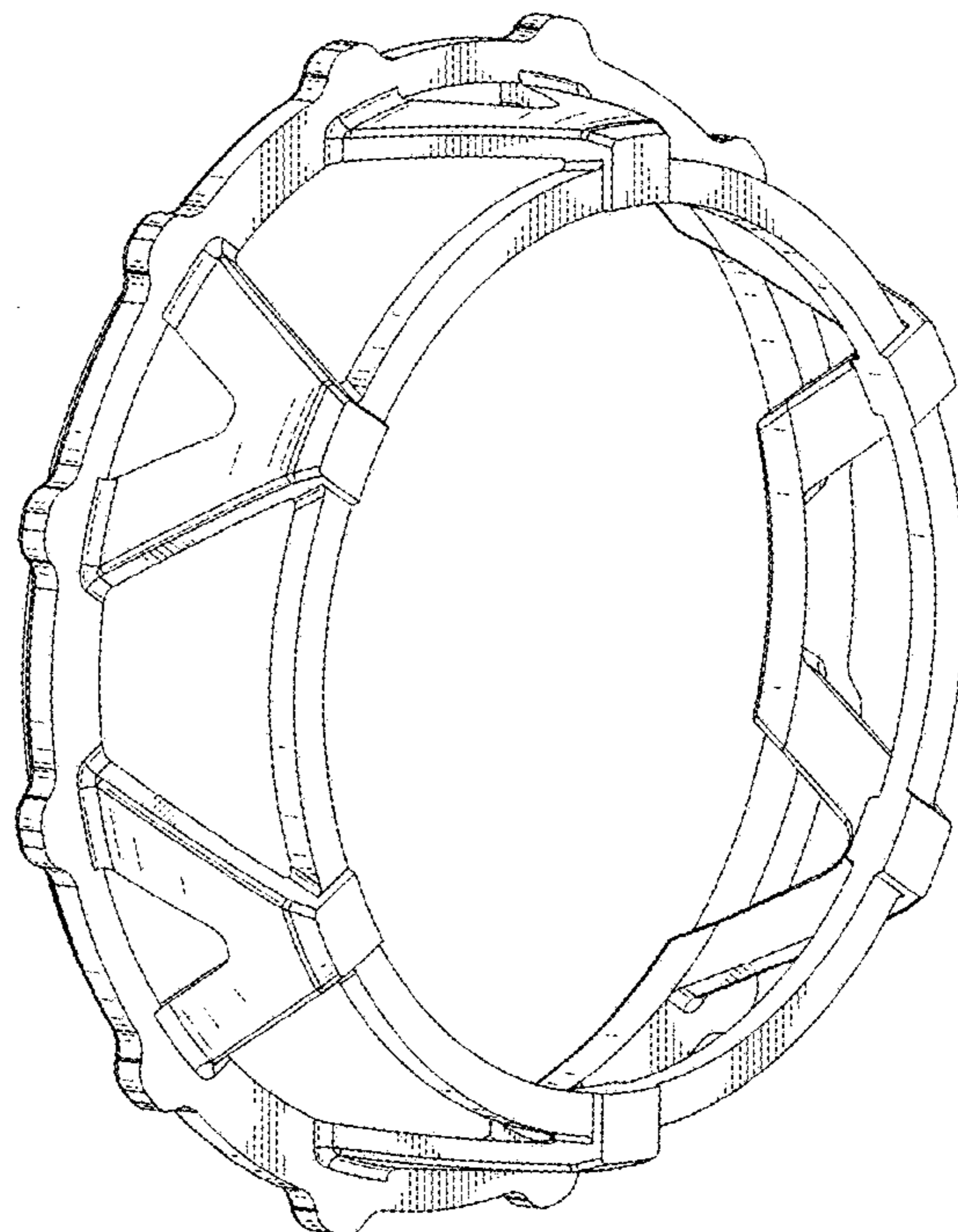
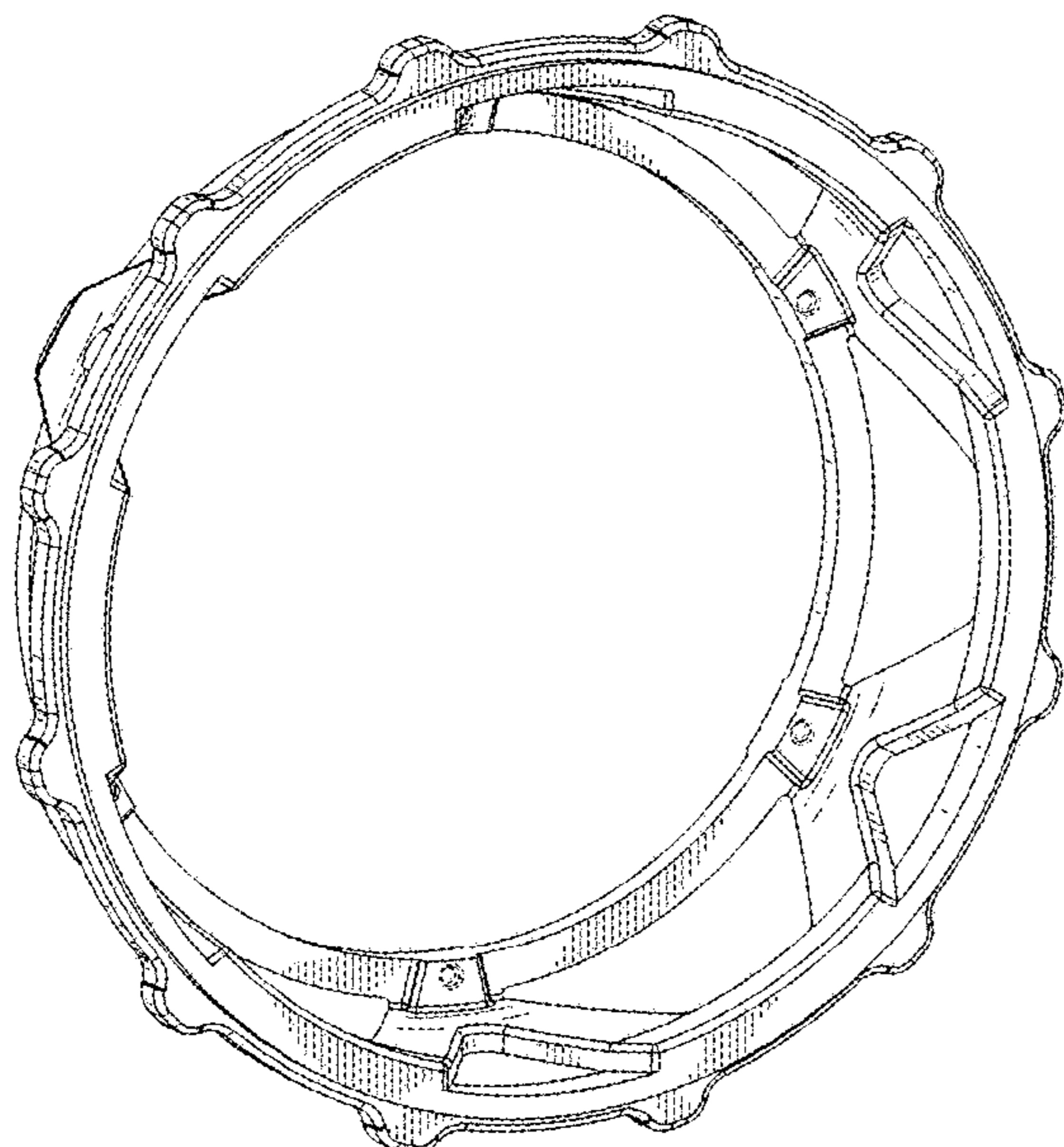
FIG. 6 is a left side elevational view thereof;

FIG. 7 is a bottom plan view thereof; and,

FIG. 8 is a top plan view thereof.

The ornamental design which is claimed is shown in solid lines in the drawings. The broken lines formed by dashes show unclaimed subject matter and form no part of the claimed design.

1 Claim, 6 Drawing Sheets



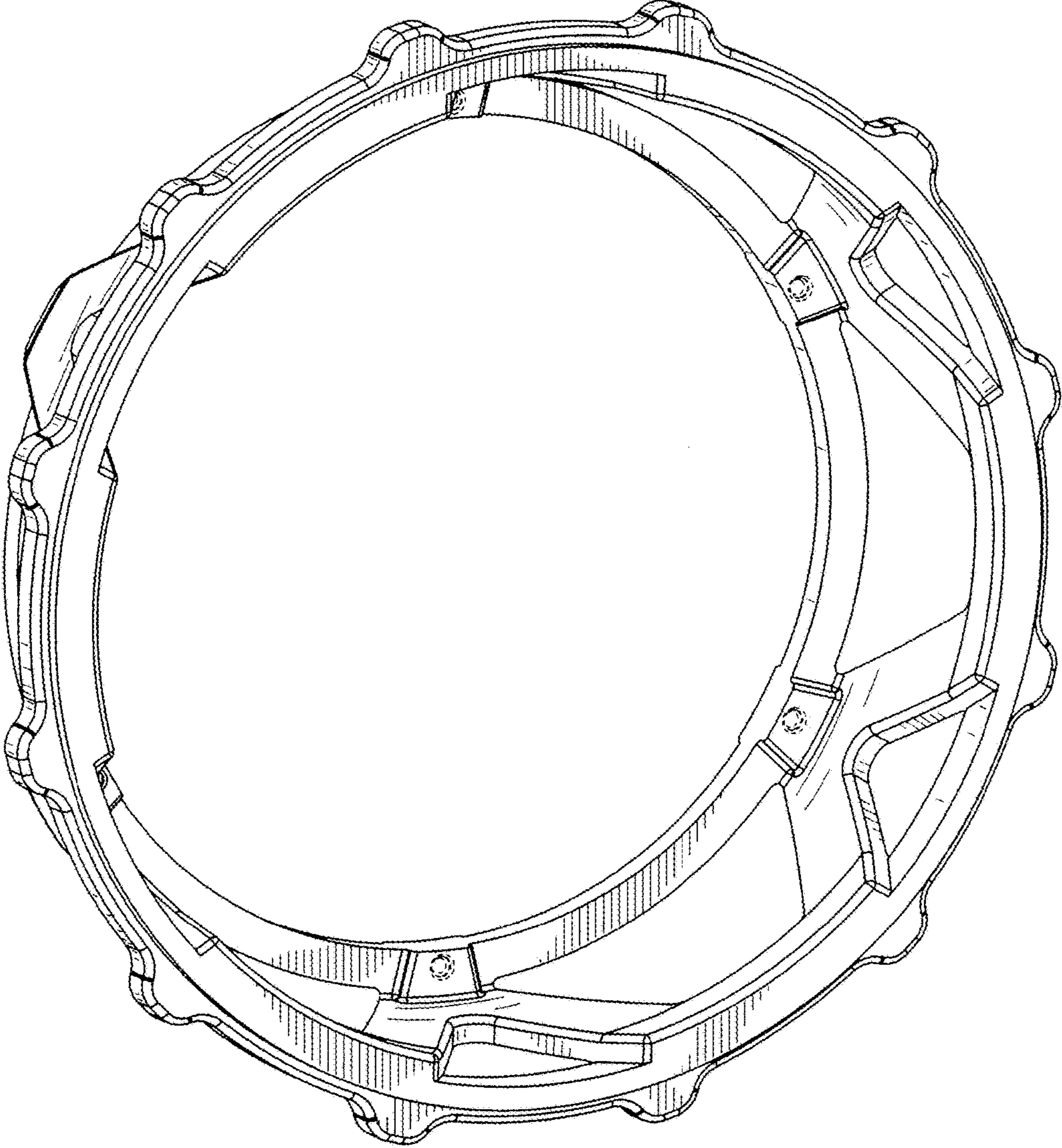


FIG. 1

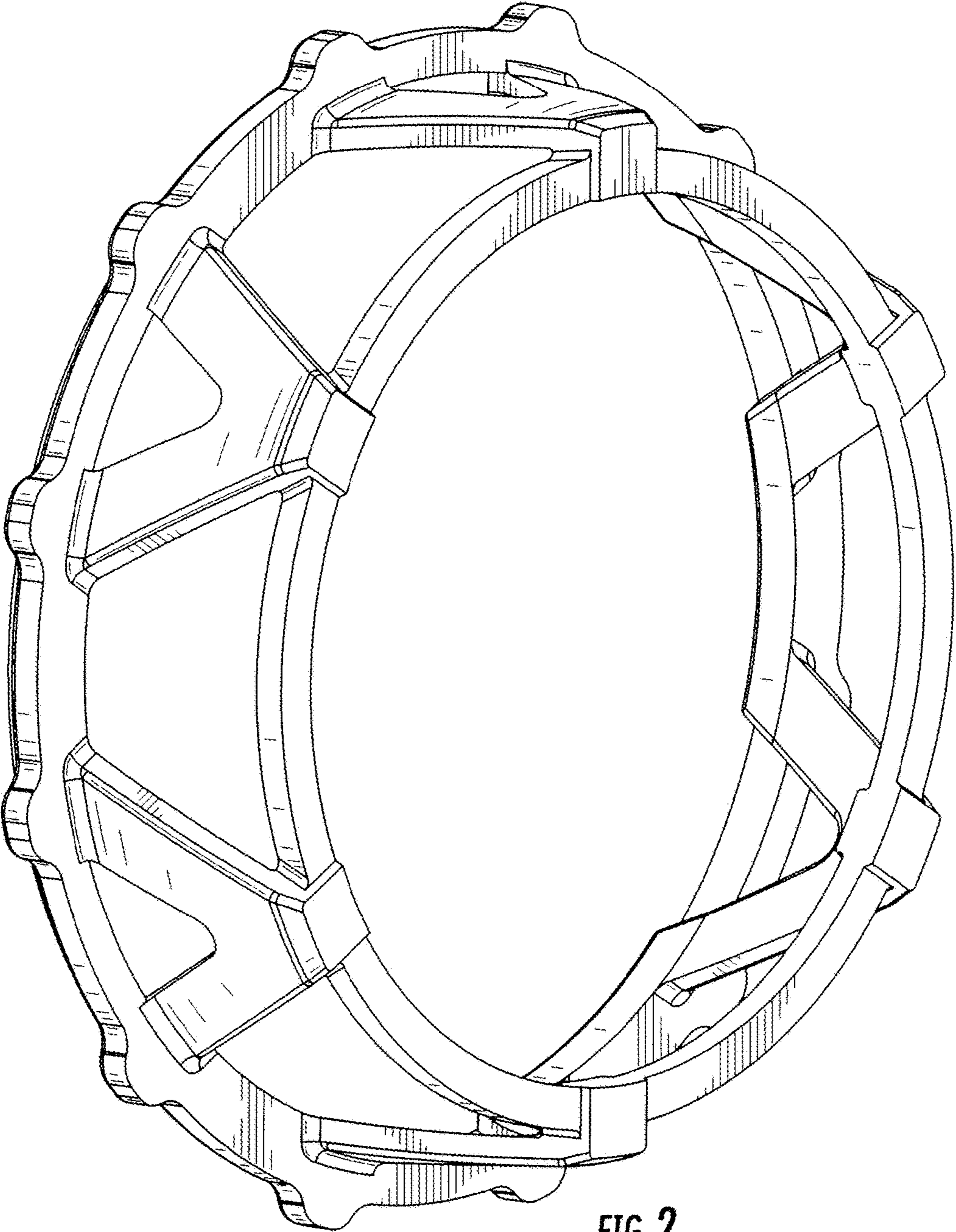


FIG. 2

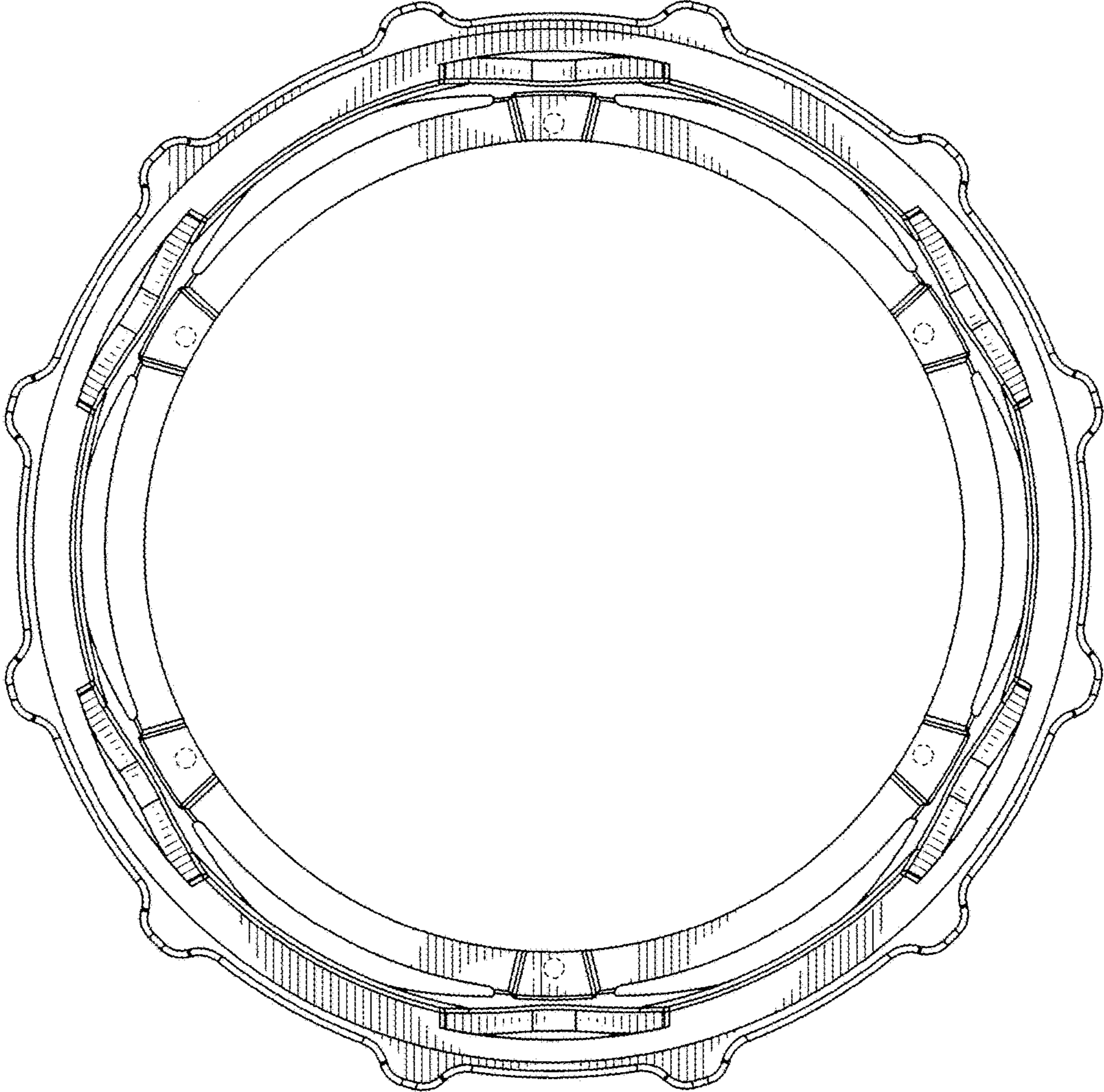


FIG. 3

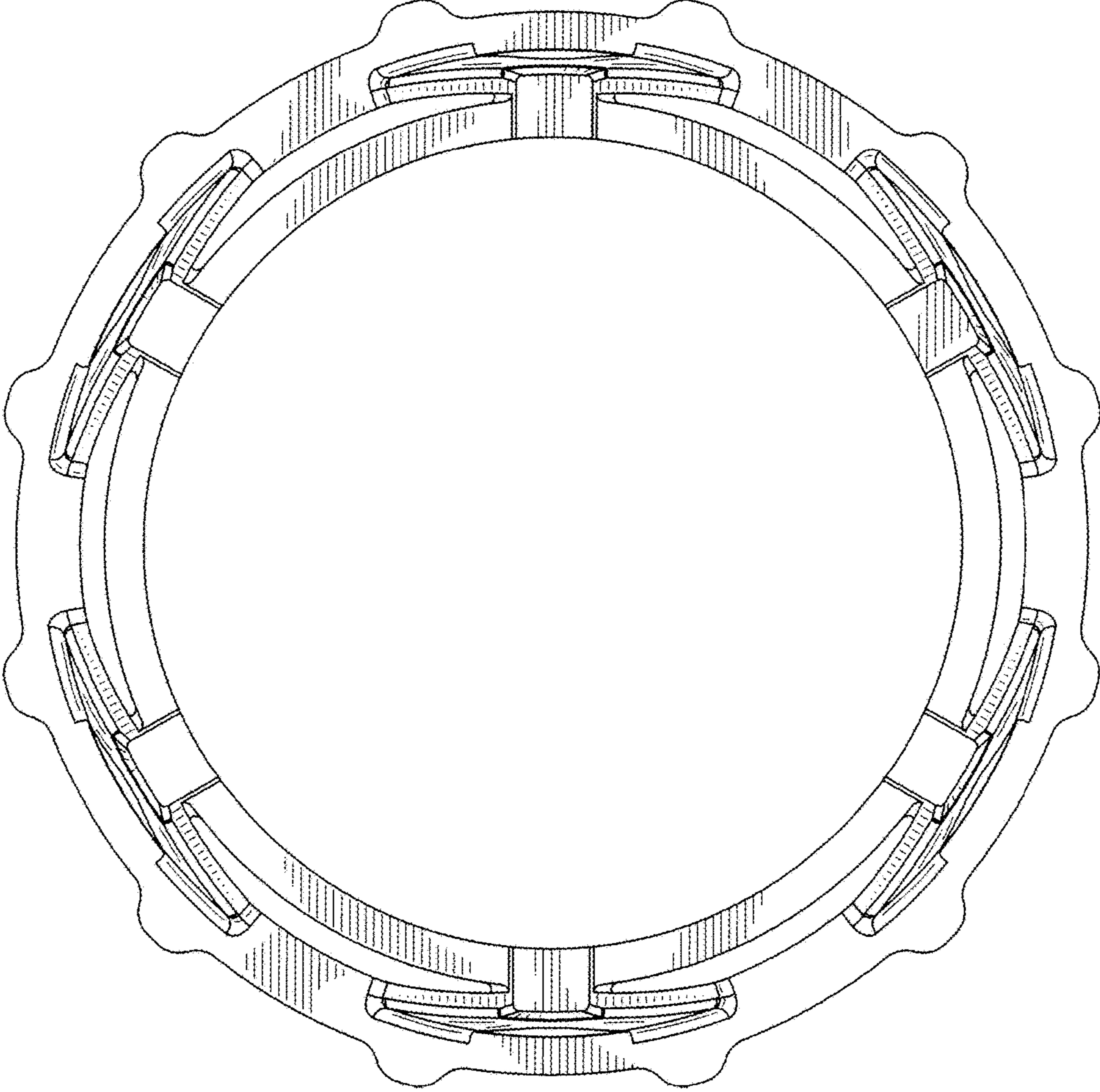


FIG. 4

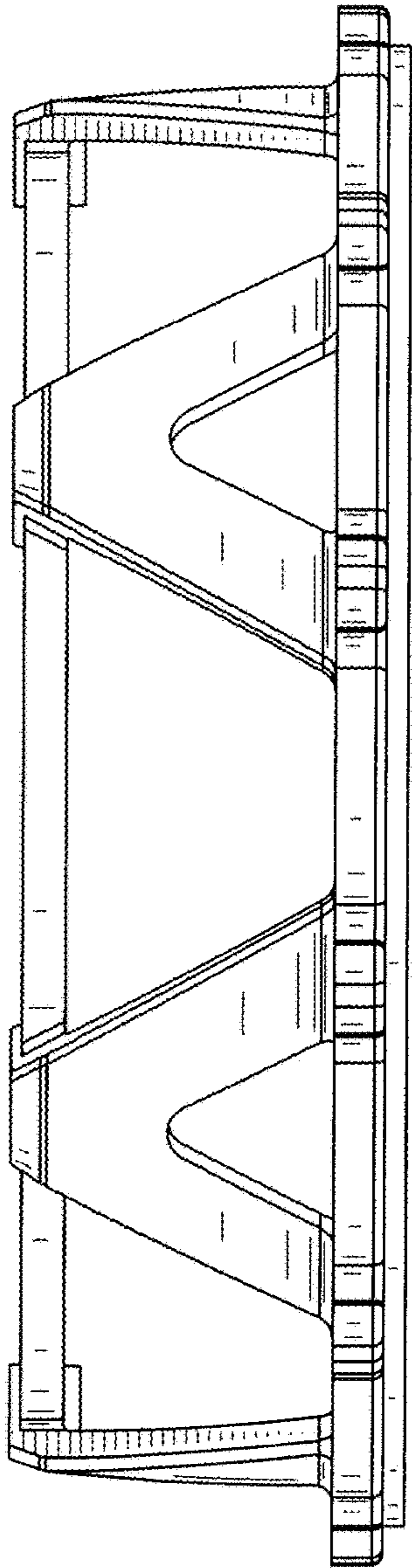


FIG. 5

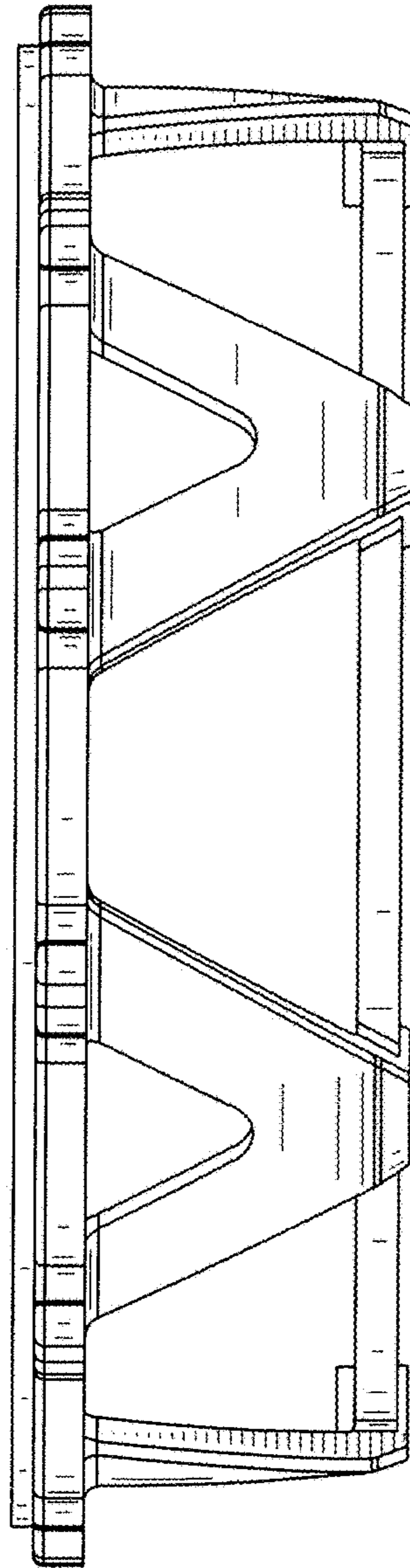


FIG. 6

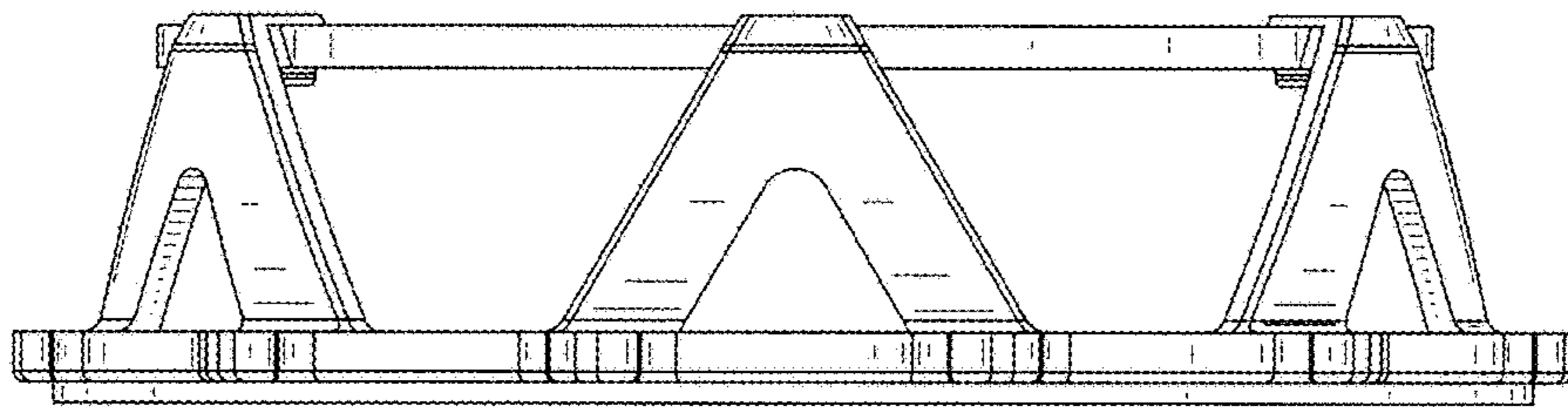


FIG. 7

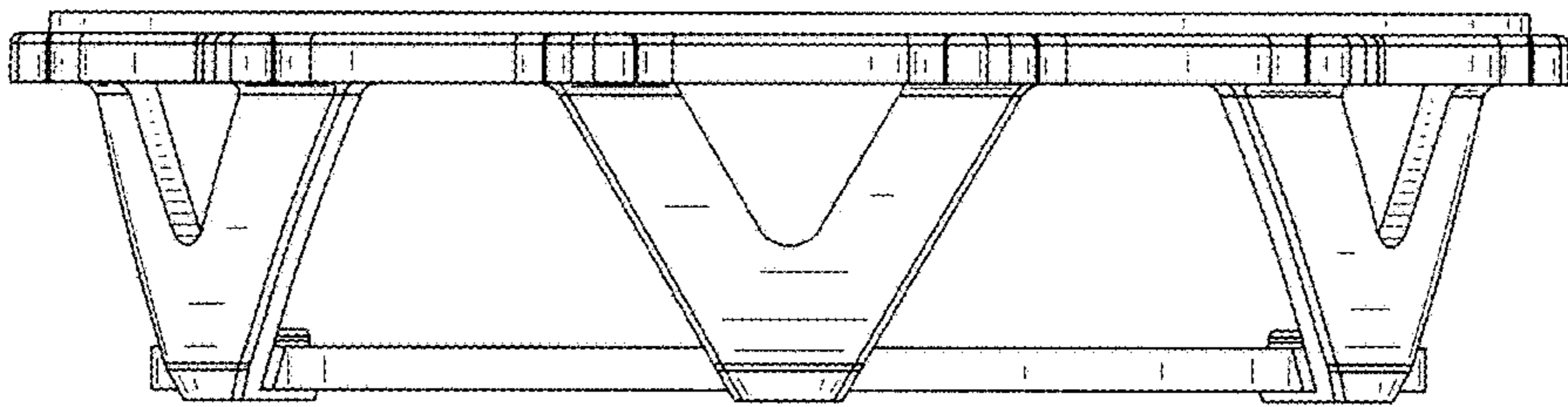


FIG. 8