



US00D797046S

(12) **United States Design Patent**  
**Wang**

(10) **Patent No.:** **US D797,046 S**

(45) **Date of Patent:** **\*\* Sep. 12, 2017**

(54) **PORTABLE GENERATOR**

(71) Applicant: **Xin Wang**, Chongqing (CN)

(72) Inventor: **Xin Wang**, Chongqing (CN)

(\*\*) Term: **15 Years**

(21) Appl. No.: **29/561,054**

(22) Filed: **Apr. 12, 2016**

(51) **LOC (10) Cl.** ..... **13-01**

(52) **U.S. Cl.**  
USPC ..... **D13/116**

(58) **Field of Classification Search**  
USPC ..... D13/113, 114, 122, 184, 199; 290/1 B;  
307/150, 153; 310/50, 158, 418; 322/1,  
322/2 R, 10, 16, 40, 59  
CPC ..... F02B 63/00; F02B 63/04; F02B 63/044;  
F02B 63/045; F02B 63/048; H02K 5/00;  
H02K 7/00; H02K 7/18  
See application file for complete search history.

D644,174 S \* 8/2011 Fujiki ..... D13/116  
D704,137 S \* 5/2014 Shokrzadeh ..... D13/116  
D704,641 S \* 5/2014 Shokrzadeh ..... D13/116  
8,841,582 B2 \* 9/2014 Bender ..... B23K 9/1006  
219/133  
D749,511 S \* 2/2016 Jenison ..... D13/114  
9,457,822 B2 \* 10/2016 Rumao ..... B62B 1/008

\* cited by examiner

*Primary Examiner* — Daniel Bui  
*Assistant Examiner* — Andrew Kerr  
(74) *Attorney, Agent, or Firm* — Xuan Zhang

(57) **CLAIM**

The ornamental design for a portable generator, as shown and described.

**DESCRIPTION**

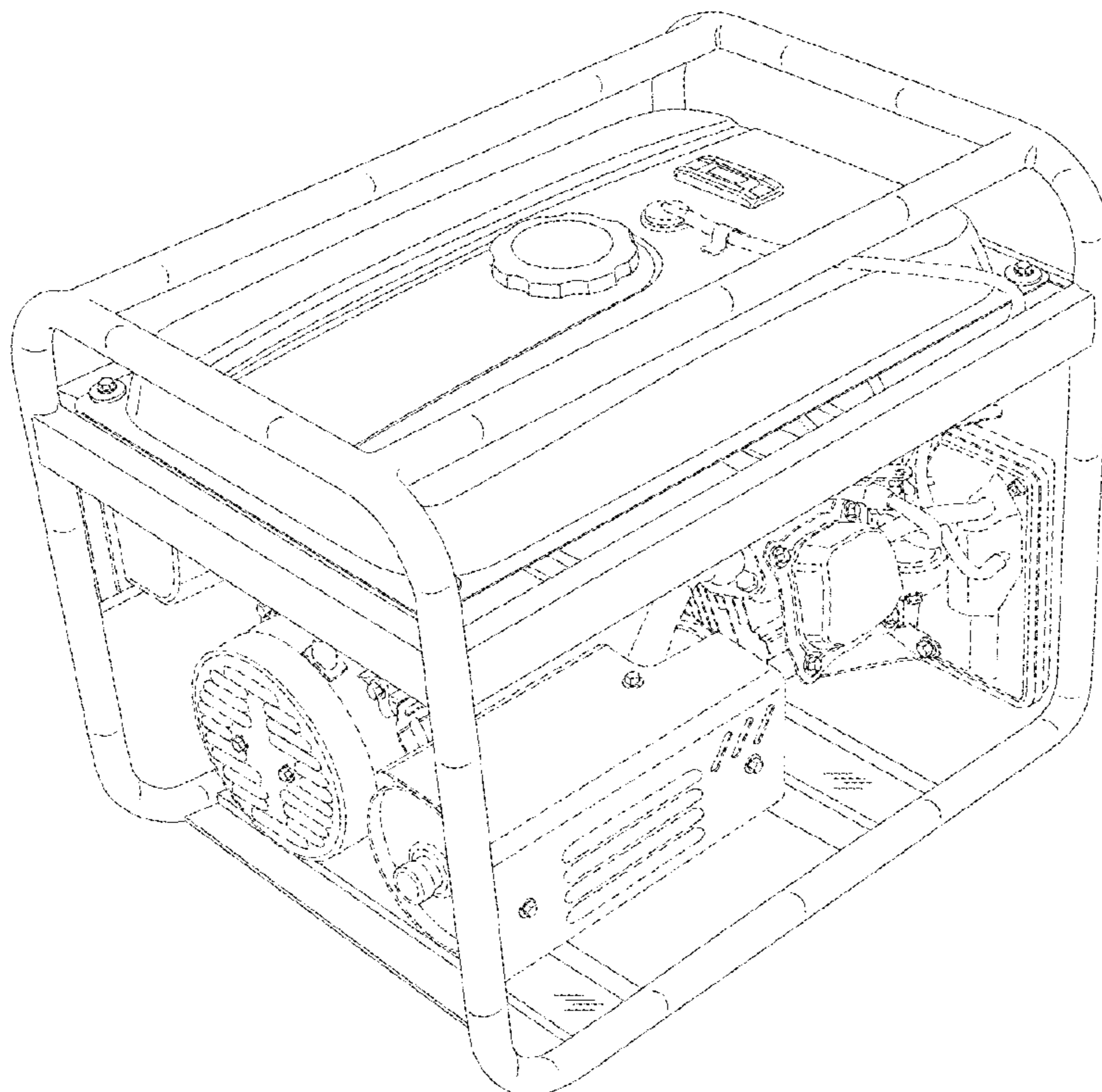
FIG. 1 is a front perspective view of a portable generator showing my new design;  
FIG. 2 is a left side elevational view thereof;  
FIG. 3 is a right side elevational view thereof;  
FIG. 4 is a rear side elevational view thereof;  
FIG. 5 is a front side elevational view thereof; and,  
FIG. 6 is a top plan view thereof.  
The broken lines in the drawing views are included for the purpose of illustrating unclaimed portions only, and forms no part of the claimed design.

(56) **References Cited**

U.S. PATENT DOCUMENTS

D478,311 S \* 8/2003 Yaguchi ..... D13/114  
D501,182 S \* 1/2005 Buck ..... D13/110  
D638,794 S \* 5/2011 Kato ..... D13/116

**1 Claim, 6 Drawing Sheets**



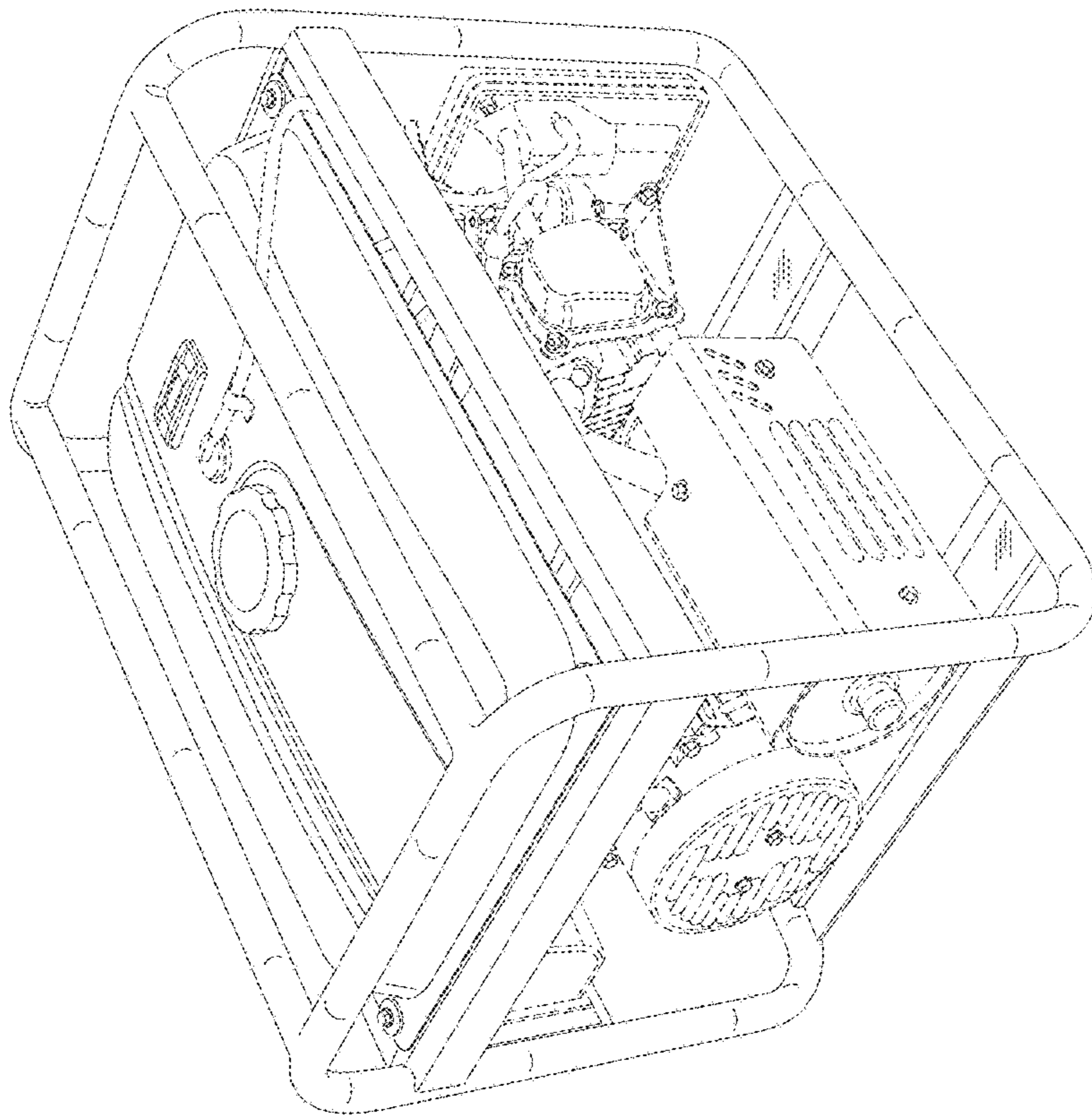


FIG. 1

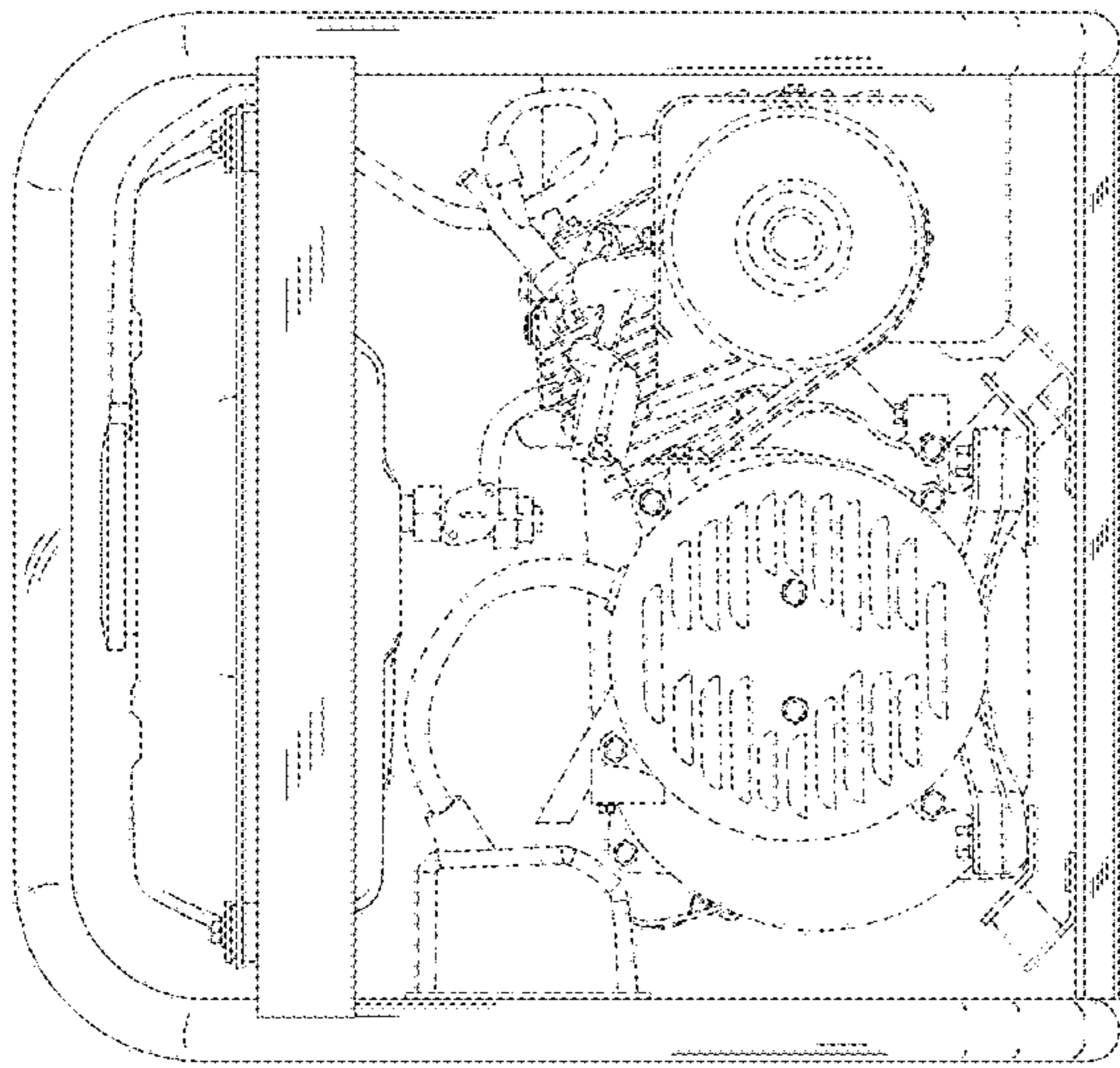


FIG. 2

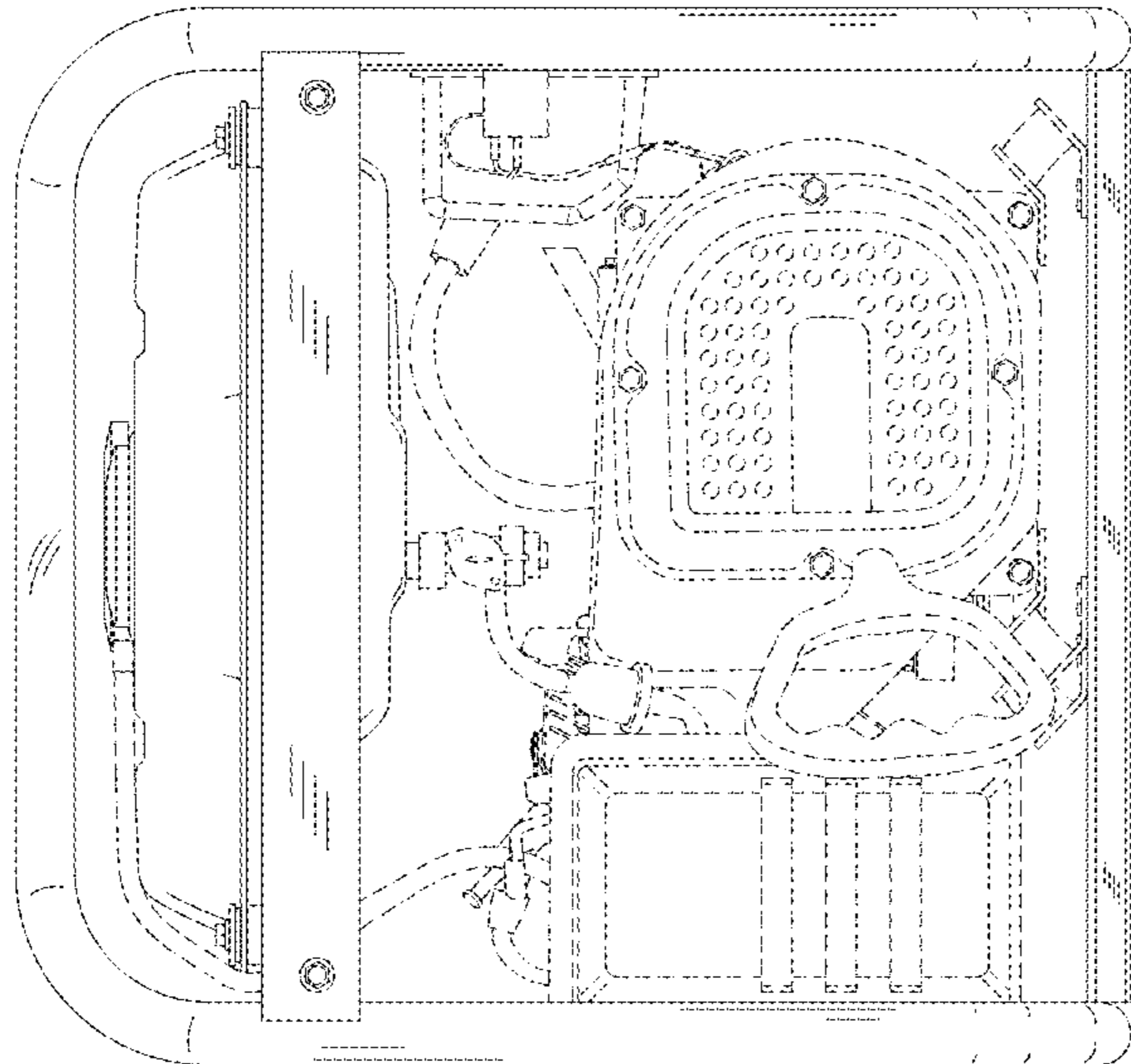


FIG. 3

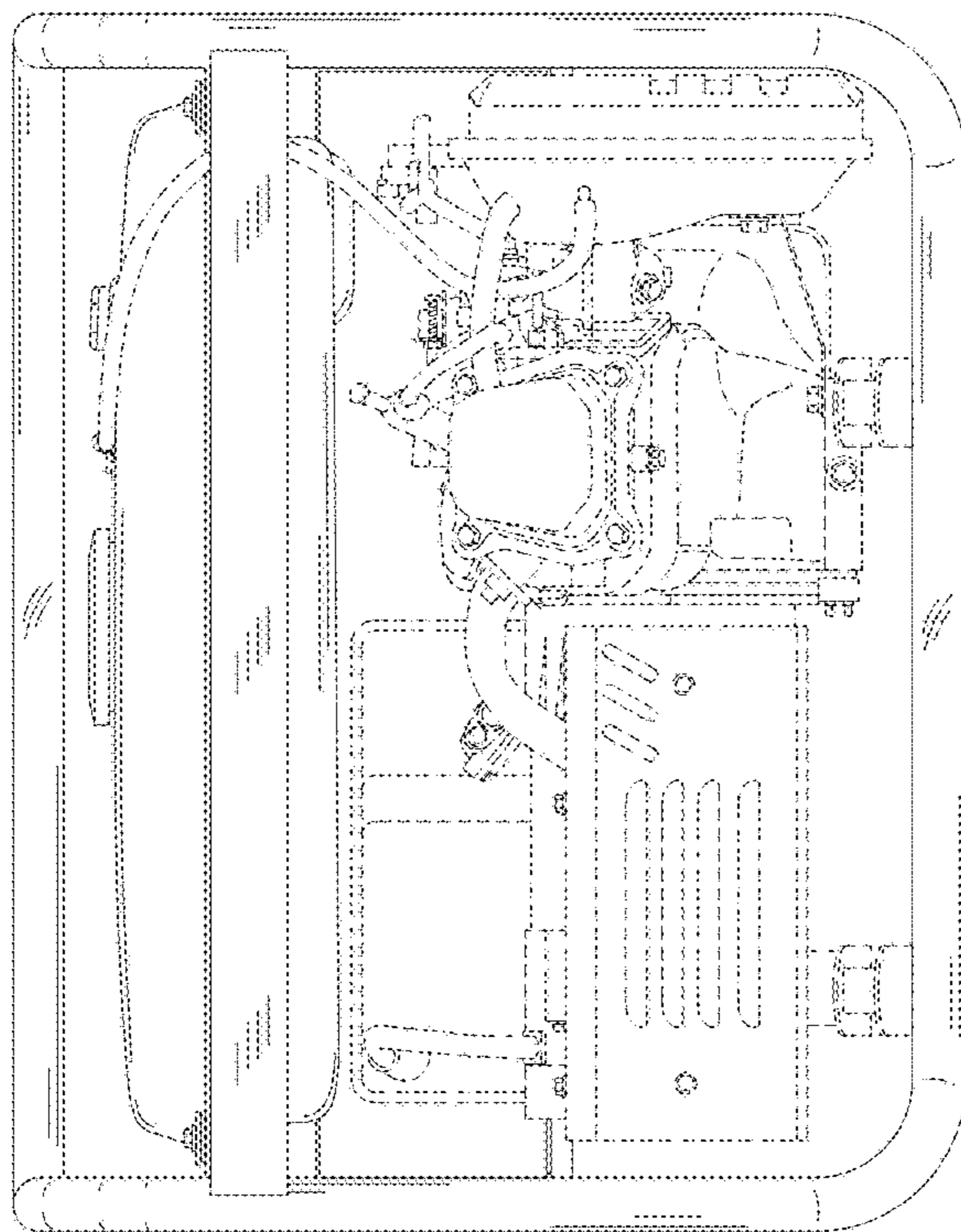


FIG. 4

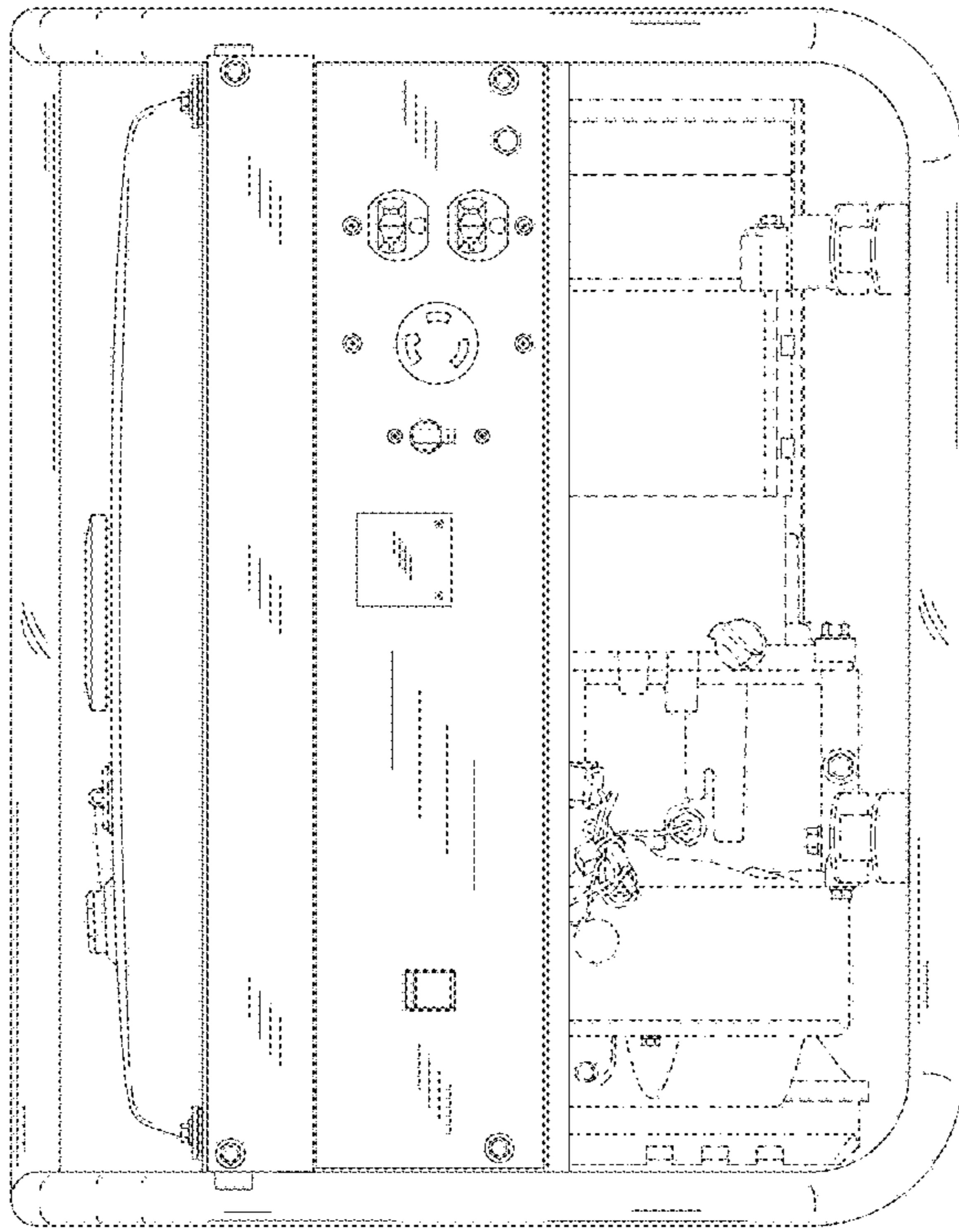


FIG. 5

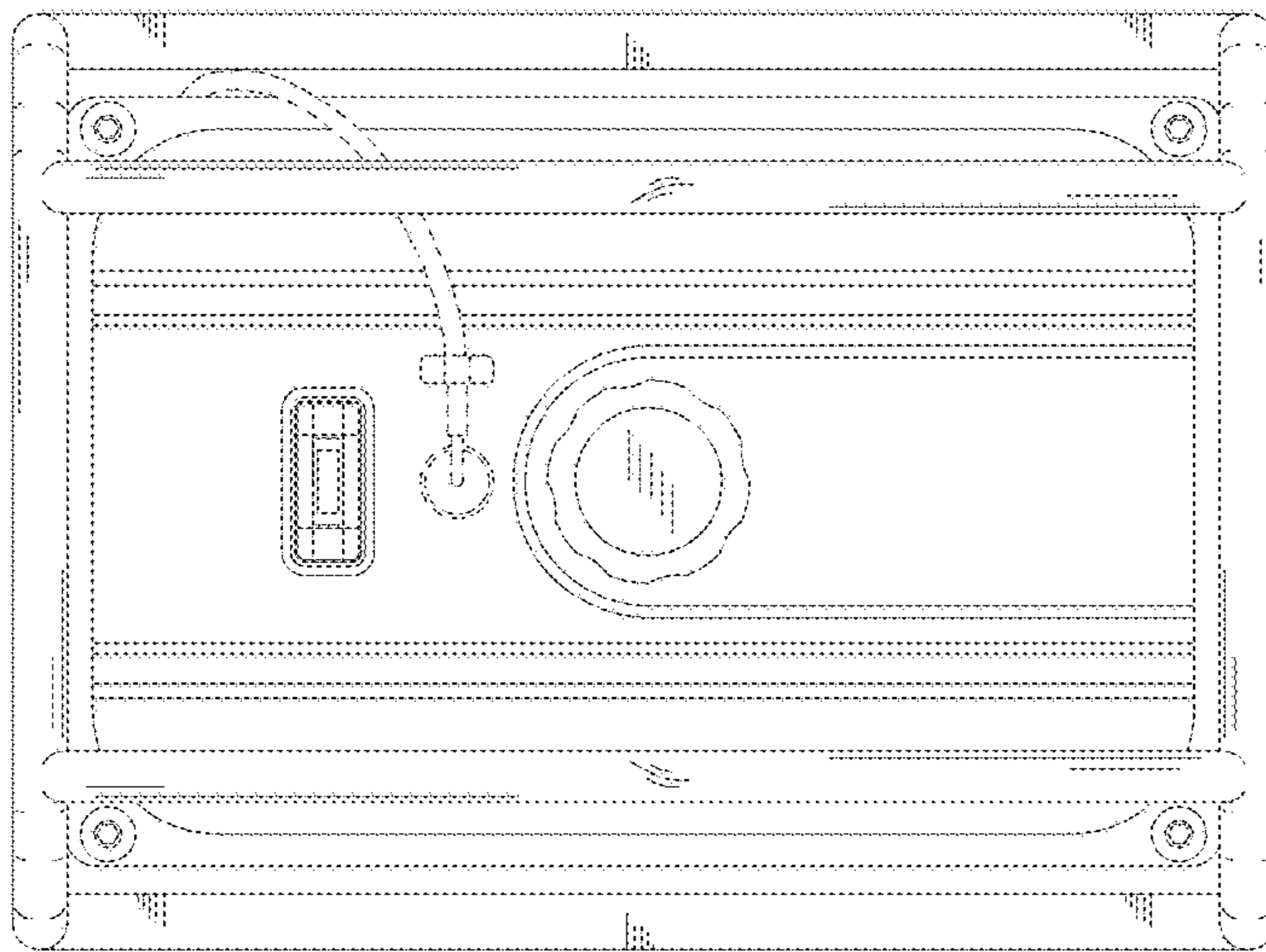


FIG. 6