



US00D797045S

(12) **United States Design Patent** (10) **Patent No.:** **US D797,045 S**
Krantz et al. (45) **Date of Patent:** **** Sep. 12, 2017**

(54) **RECONFIGURABLE ENERGY STORAGE AND POWER SUPPLY DEVICE**

(71) Applicant: **Goal Zero LLC**, Bluffdale, UT (US)

(72) Inventors: **Norman L. Krantz**, Draper, UT (US);
Henry J. Howell, Herriman, UT (US)

(73) Assignee: **Goal Zero LLC**, Bluffdale, UT (US)

(**) Term: **14 Years**

(21) Appl. No.: **29/513,754**

(22) Filed: **Jan. 5, 2015**

(51) **LOC (10) Cl.** **13-02**

(52) **U.S. Cl.**
USPC **D13/110**

(58) **Field of Classification Search**
USPC D14/411, 433, 435.1, 436, 480.1, 480.2,
D14/480.3, 480.4, 480.5, 480.6, 480.7,
D14/484.1, 203.1–203.8; D13/103, 107,
D13/108, 110; 361/679.02, 679.31,
361/679.32, 679.33, 684
CPC . G06F 1/16; G06F 13/12; G06F 13/40; H01R
13/08; H01R 13/26; H01R 13/44; H01R
13/6469; H01R 13/6591; H01R 29/00;
H05K 5/0278; G06K 19/07732
See application file for complete search history.

(56) **References Cited**

U.S. PATENT DOCUMENTS

D585,022 S * 1/2009 Akita D13/133
7,679,008 B2 * 3/2010 Lee G06K 19/07732
174/521
D620,018 S * 7/2010 Nan D14/480.7
D624,012 S * 9/2010 de Medeiros D13/103
7,876,555 B2 * 1/2011 Kung G06K 7/0013
361/679.31
D639,238 S * 6/2011 Serrano D13/110

D670,244 S 11/2012 Workman et al.
D693,765 S 11/2013 Workman et al.
D702,182 S * 4/2014 Druker D13/110
D711,389 S * 8/2014 Sun D14/480.5
D769,818 S * 10/2016 Alesi D13/110
2004/0233645 A1 * 11/2004 Chen G06F 1/1632
361/737
2008/0218957 A1 * 9/2008 Kim H05K 5/0278
361/679.31
2013/0181661 A1 7/2013 Workman et al.

* cited by examiner

Primary Examiner — Derrick Holland

(74) Attorney, Agent, or Firm — Foley & Lardner LLP

(57) **CLAIM**

We claim the ornamental design for a reconfigurable energy storage and power supply device, as shown and described.

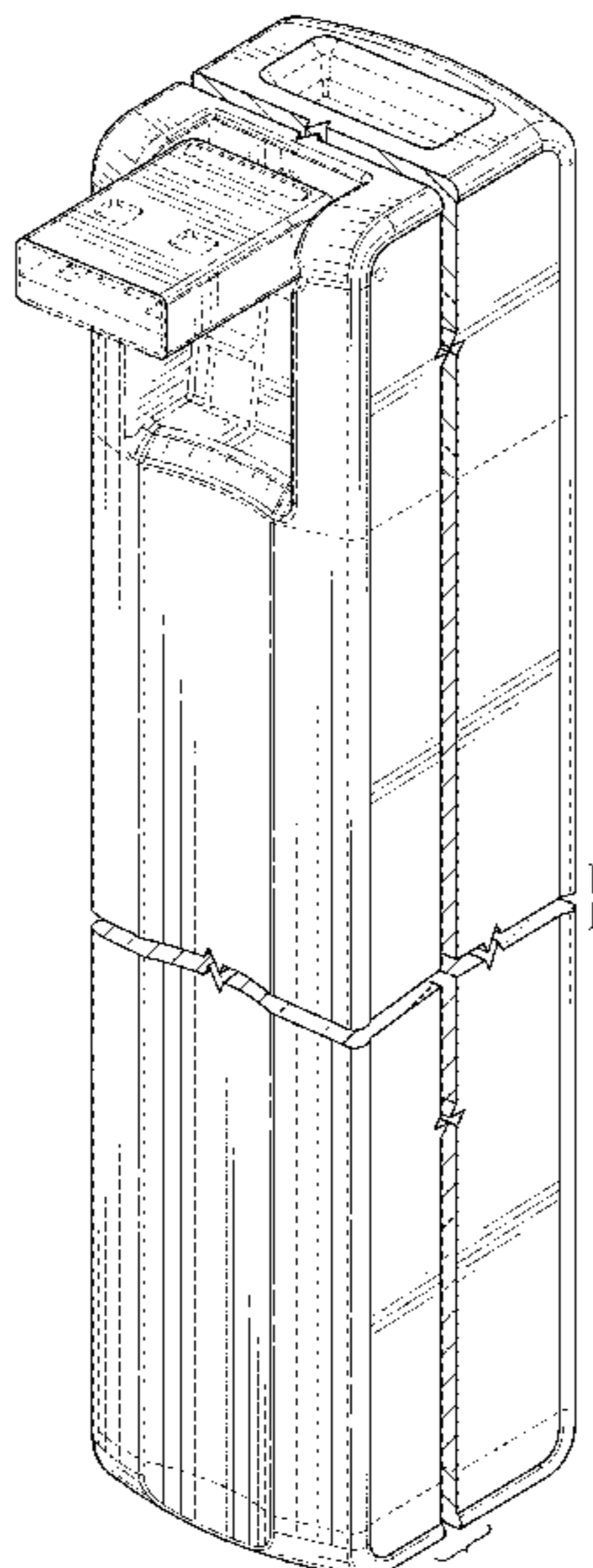
DESCRIPTION

FIG. 1 is a front perspective view of a reconfigurable energy storage and power supply device showing our new design; FIG. 2 is a front view thereof; FIG. 3 is a rear view thereof; FIG. 4 is a right side view thereof; FIG. 5 is a left side view thereof; FIG. 6 is a top plan view thereof; FIG. 7 is a bottom plan view thereof; FIG. 8 is a front perspective view thereof, shown in a second configuration; and, FIG. 9 is a front perspective view thereof, shown in a third configuration.

The broken lines shown represent unclaimed subject matter and form no part of the claimed design.

The reconfigurable energy storage and power supply device has been shown with symbolic breaks. The appearance of any portion of the article between the break lines forms no part of the claimed design.

1 Claim, 7 Drawing Sheets



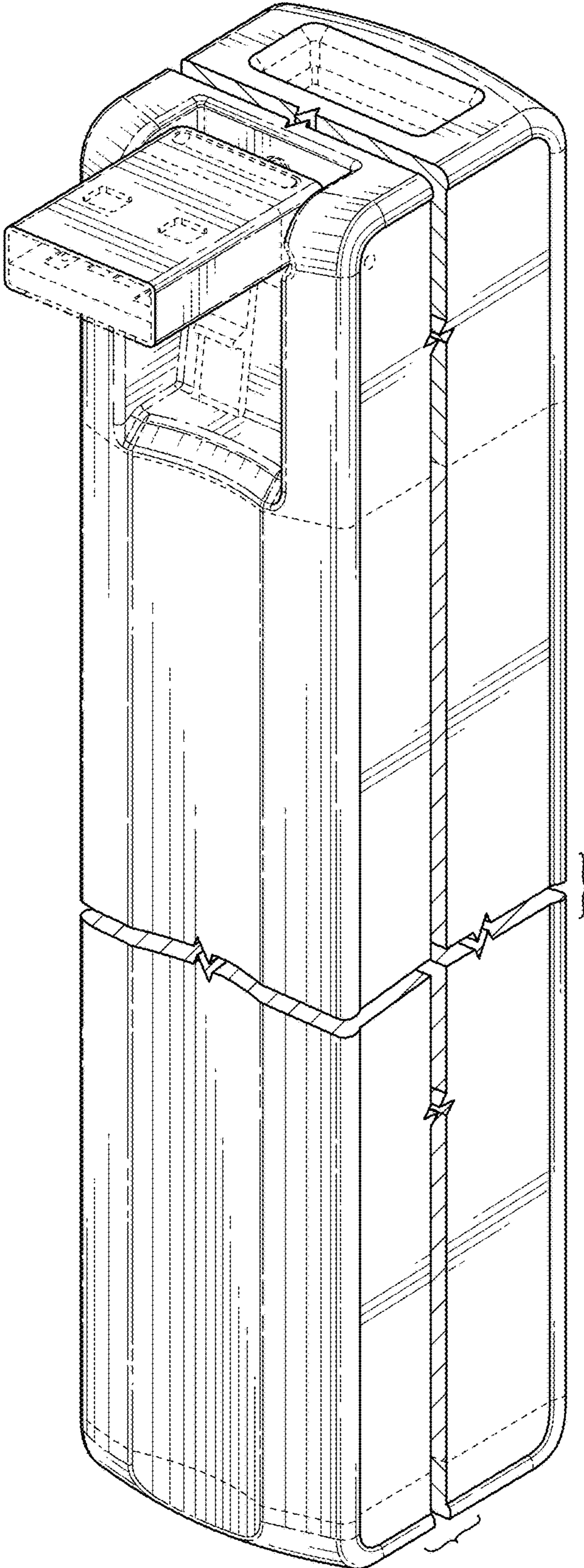


FIG. 1

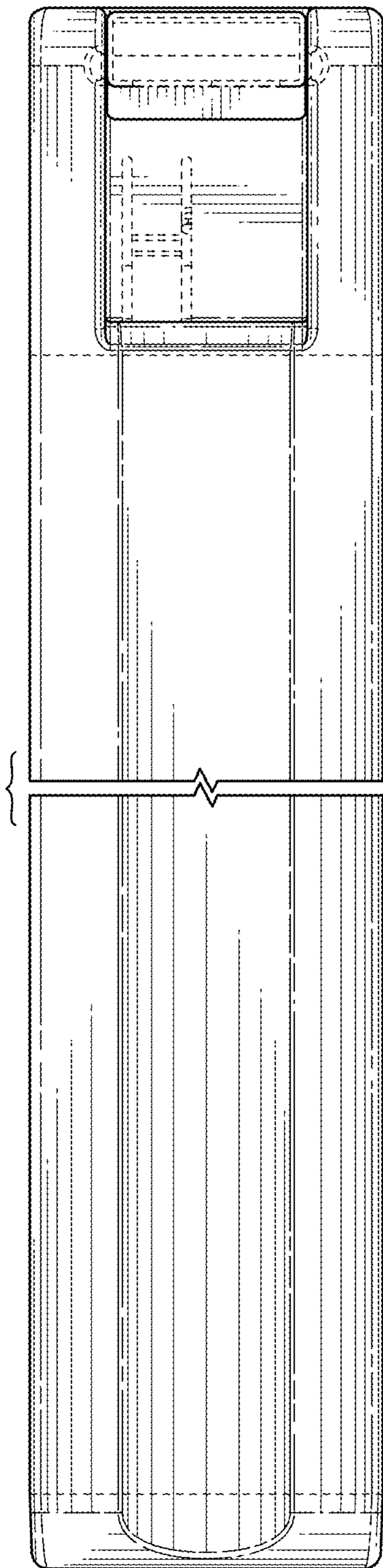


FIG. 2

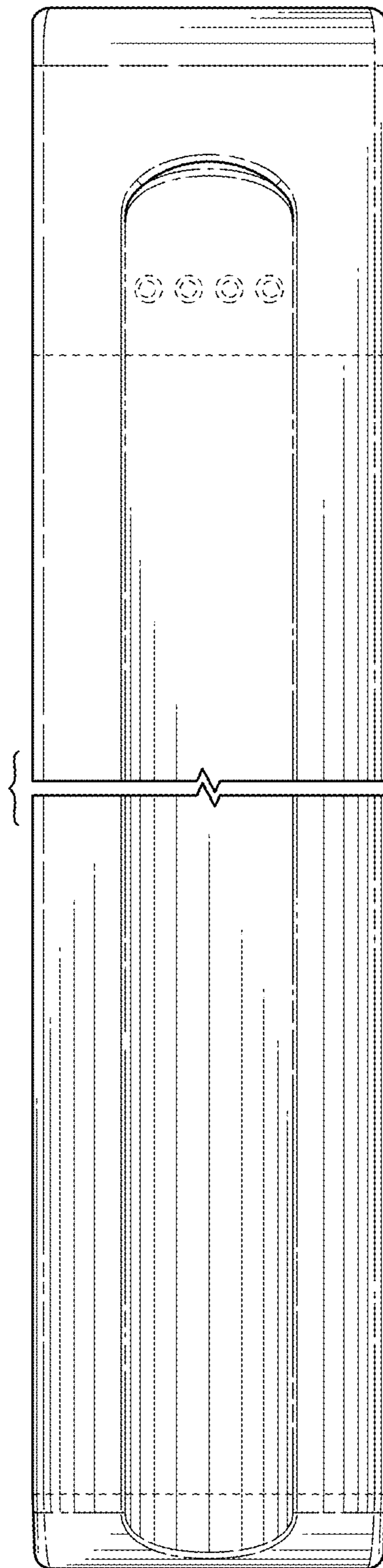


FIG. 3

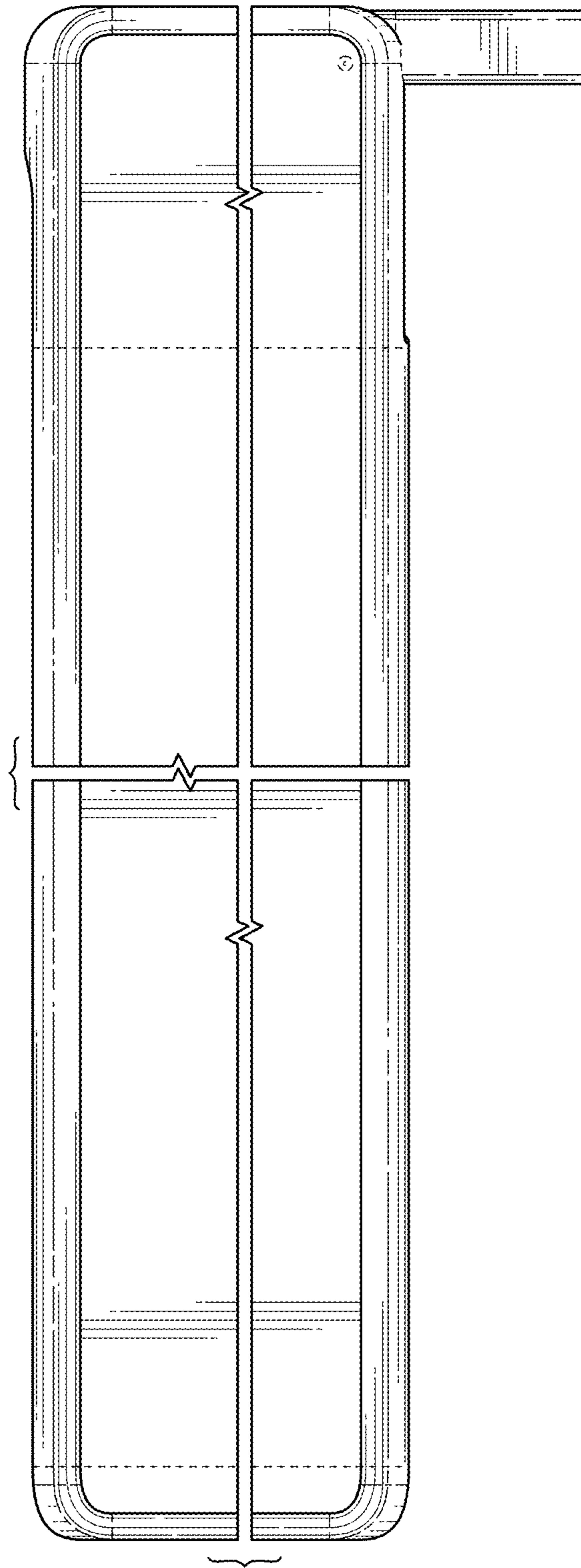


FIG. 4

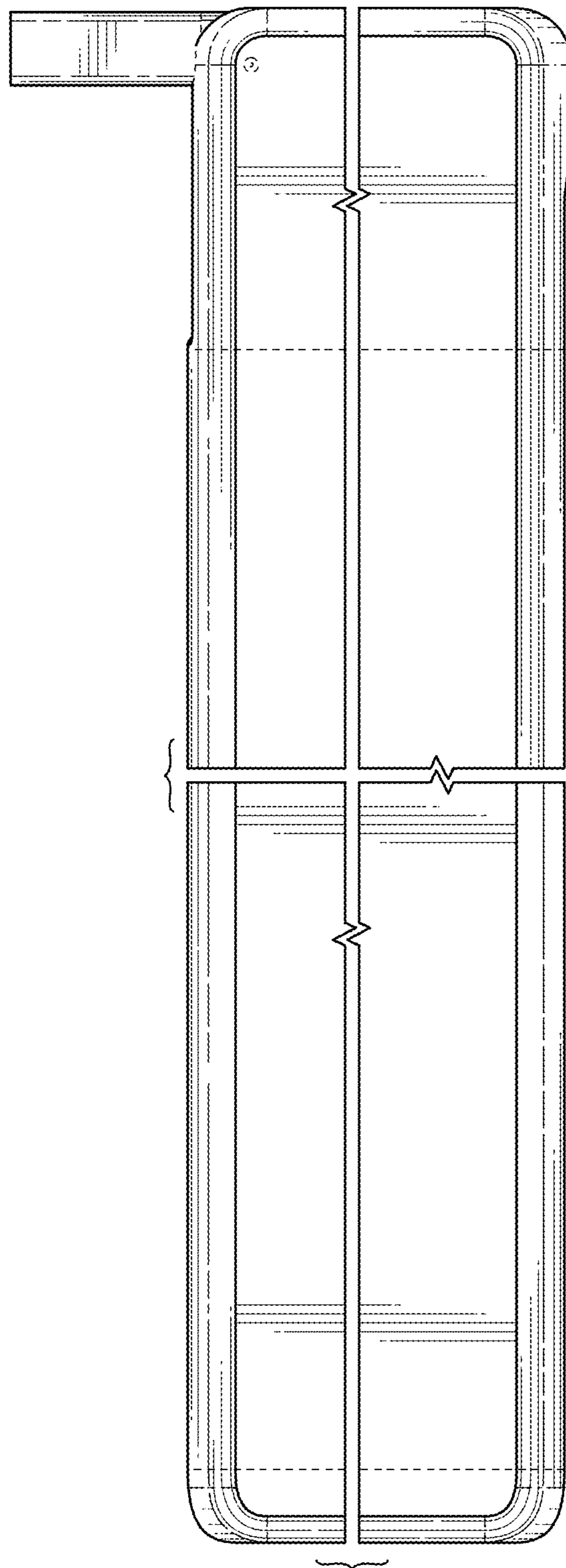


FIG. 5

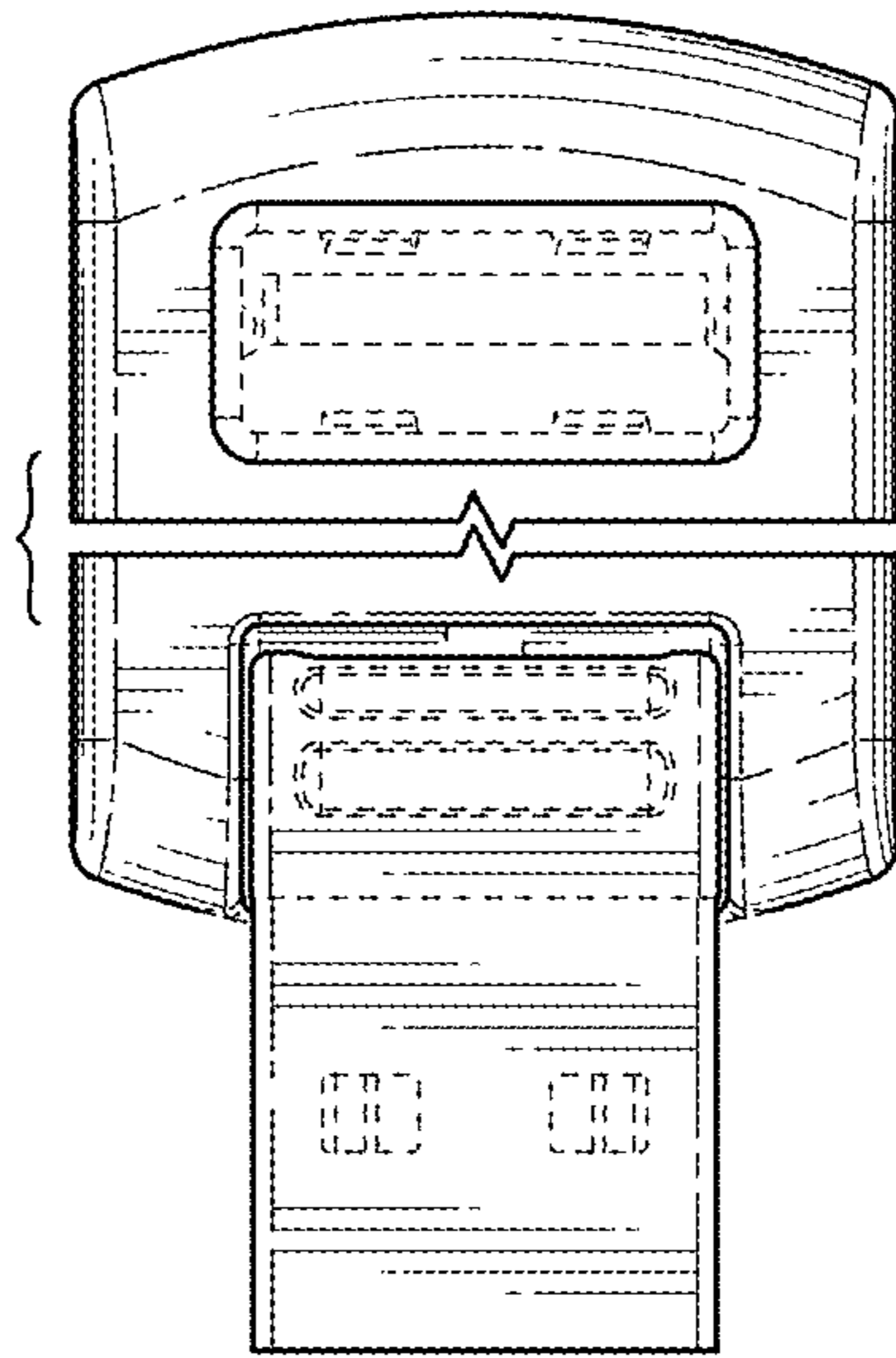


FIG. 6

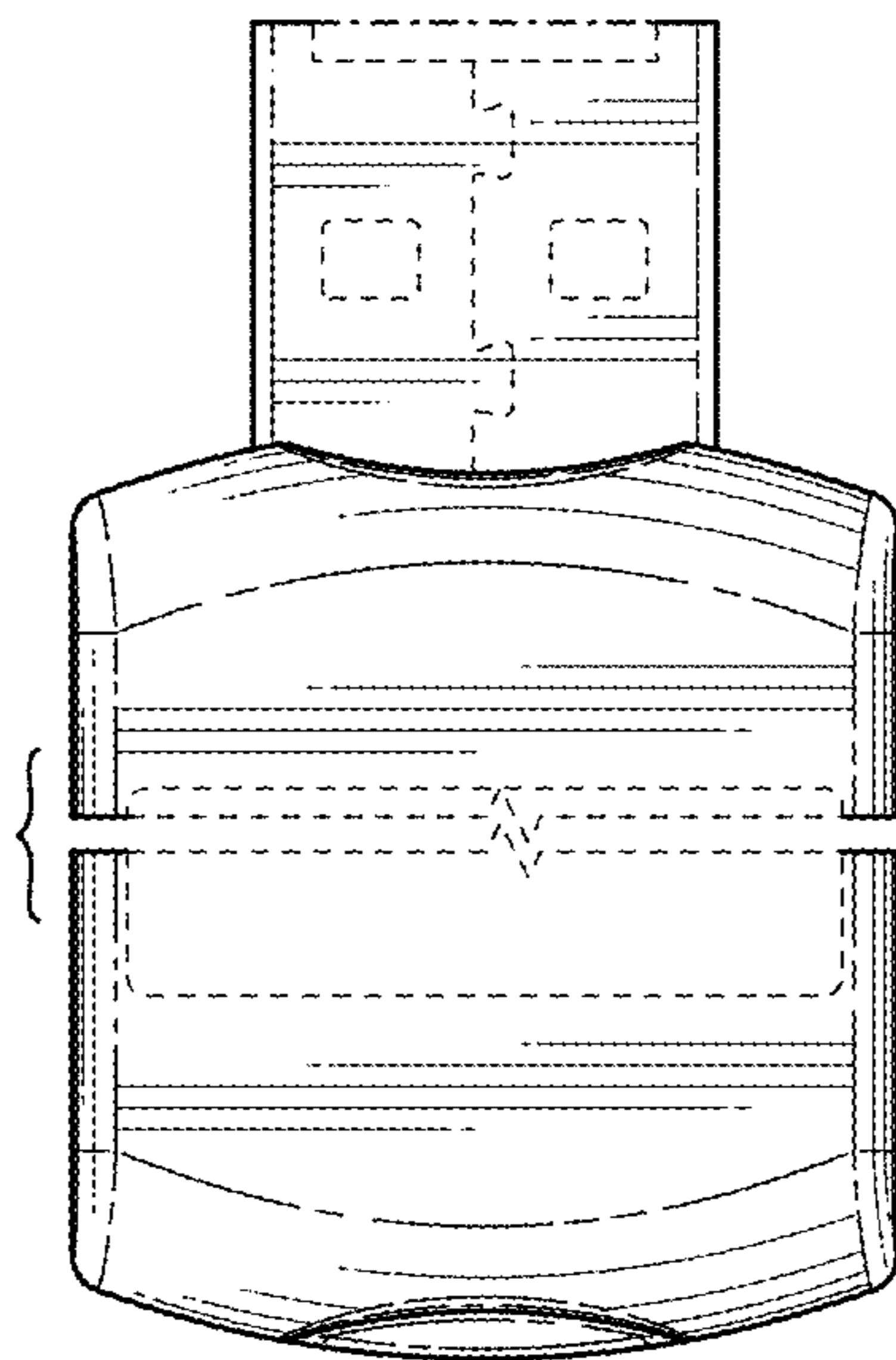


FIG. 7

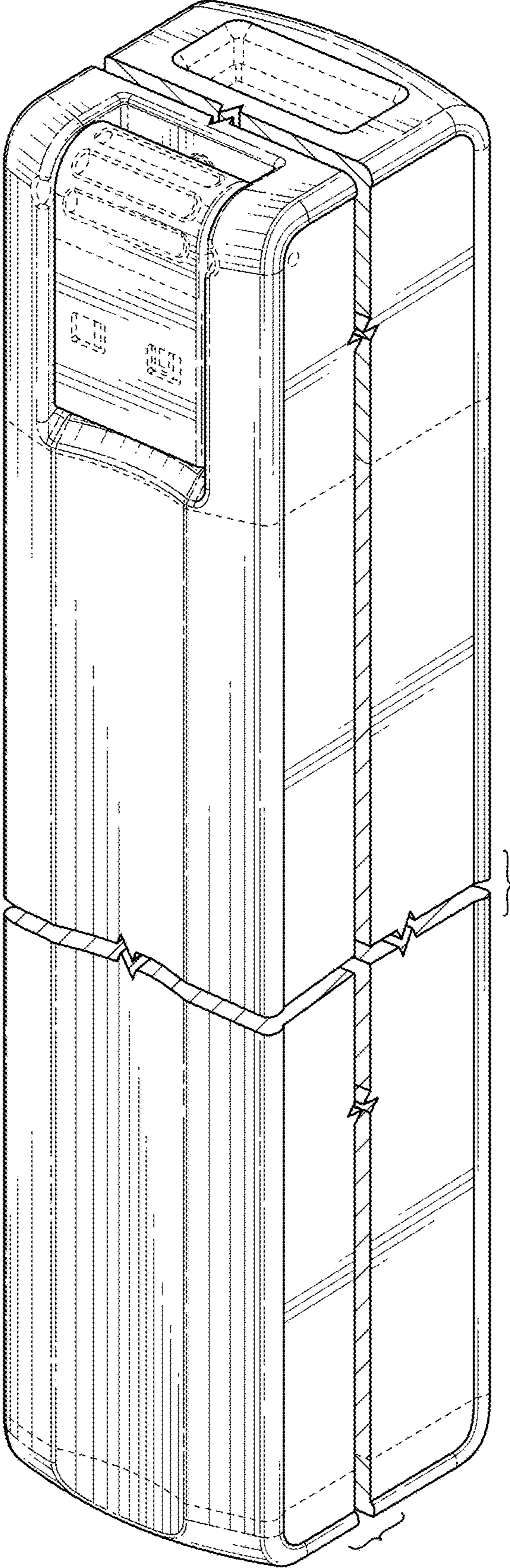


FIG. 8

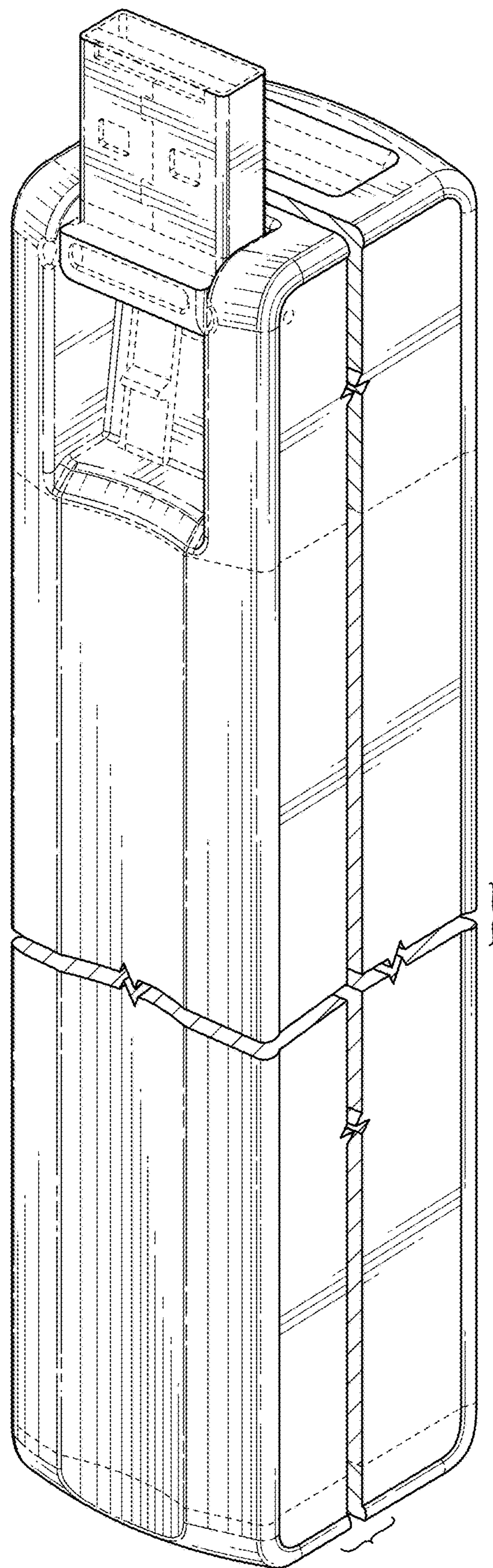


FIG. 9