



US00D797042S

(12) **United States Design Patent** (10) **Patent No.:** **US D797,042 S**
Miller et al. (45) **Date of Patent:** **** Sep. 12, 2017**

(54) **PORTABLE BATTERY**

(71) Applicant: **Halo2Cloud LLC**, Glastonbury, CT (US)

(72) Inventors: **Garold C. Miller**, Glastonbury, CT (US); **Nathan Daniel Weinstein**, Glastonbury, CT (US)

(73) Assignee: **HALO2CLOUD LLC**, Hartford, CT (US)

(**) Term: **15 Years**

(21) Appl. No.: **29/558,567**

(22) Filed: **Mar. 18, 2016**

(51) **LOC (10) Cl.** **13-02**

(52) **U.S. Cl.**
USPC **D13/107**

(58) **Field of Classification Search**
USPC D13/102–110, 118–119, 184, 199;
D14/356, 432, 251, 253, 434,
D14/203.3–203.8, 217, 248, 250, 252,
D14/440, 450, 496; D3/201, 218, 269,
D3/301, 273, 303

CPC Y02E 60/12; Y02E 60/122; Y02E 60/124;
Y02E 60/50; Y02E 60/10; H01M 2/02;
H01M 2/022; H01M 2/0202; H01M
2/0207; H01M 2/0212; H01M 2/1061;
H01M 2/1022; H01M 2/1055; H01M
2/1066; H01M 2/105; H01M 2/204;
H01M 2/20; H01M 2/202; H01M 2/206;
H01M 10/44; H01M 10/46; H01M
10/465; H01M 10/482; H01M 10/4257;
H01M 10/0436; H01M 10/48; H01M
10/425; H01M 2200/30; H01M 2250/30;
H01M 2250/40; H02J 7/00; H02J 7/0003;
H02J 7/0011; H02J 7/0013; H02J 7/0054;
H02J 7/0055; H02J 7/0057; H02J 7/025;
H02J 7/0042; H02J 7/0044; H02J 7/0045;
H02J 2007/0062; H01F 38/14; H01R
13/6675

See application file for complete search history.

(56) **References Cited**

U.S. PATENT DOCUMENTS

D649,017 S	11/2011	Stieler	
D656,096 S	3/2012	Sasada et al.	
D659,093 S	5/2012	Schmid et al.	
D663,684 S	7/2012	Yang	
D663,685 S	7/2012	Yang	
D676,377 S *	2/2013	Nokuo	D13/108
D680,063 S	4/2013	Sasada	
D702,632 S	4/2014	Salmon	
D712,829 S	9/2014	Huang	
D720,288 S *	12/2014	Ko	D13/108
D722,959 S *	2/2015	Bulgarov	D13/108
D738,303 S *	9/2015	Symons	D13/108

(Continued)

Primary Examiner — Rosemary K Tarcza

Assistant Examiner — Christy Nemeth

(74) *Attorney, Agent, or Firm* — McCormick, Paulding & Huber LLP

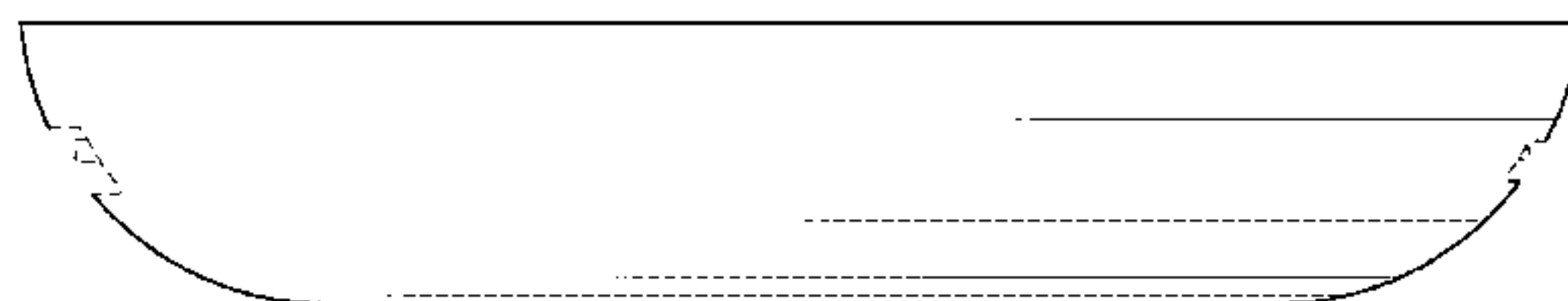
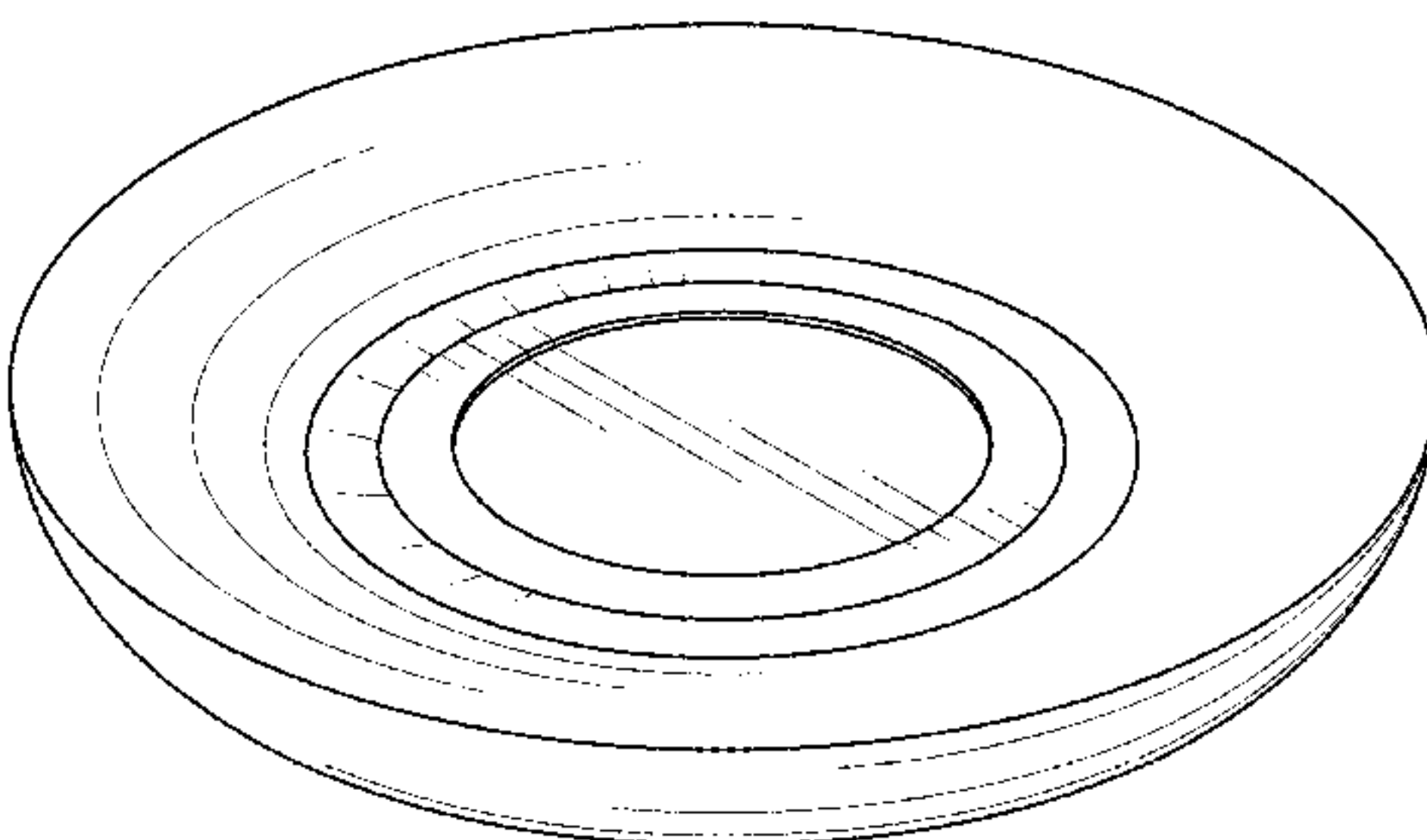
(57) **CLAIM**

The ornamental design for a portable battery, as shown and described.

DESCRIPTION

FIG. 1 is a front, top perspective view of a portable battery of our new design;
FIG. 2 is a front view thereof;
FIG. 3 is a back view thereof;
FIG. 4 is a left-hand side view thereof;
FIG. 5 is a right-hand side view thereof;
FIG. 6 is a top view thereof;
FIG. 7 is a bottom view thereof; and,
FIG. 8 is a back, bottom perspective view thereof.
The broken line portions of the figure drawings are included to show unclaimed subject matter only and form no part of the claimed design.

1 Claim, 3 Drawing Sheets



(56)

References Cited

U.S. PATENT DOCUMENTS

D740,750 S *	10/2015	Mayden	D13/108
D757,014 S *	5/2016	Hahn	D13/108
D772,813 S *	11/2016	Wahl	D13/108
D777,103 S *	1/2017	Park	D13/108
2015/0188339 A1 *	7/2015	Green	H02J 7/0042 320/108
2016/0380446 A1	12/2016	Loewen	

* cited by examiner

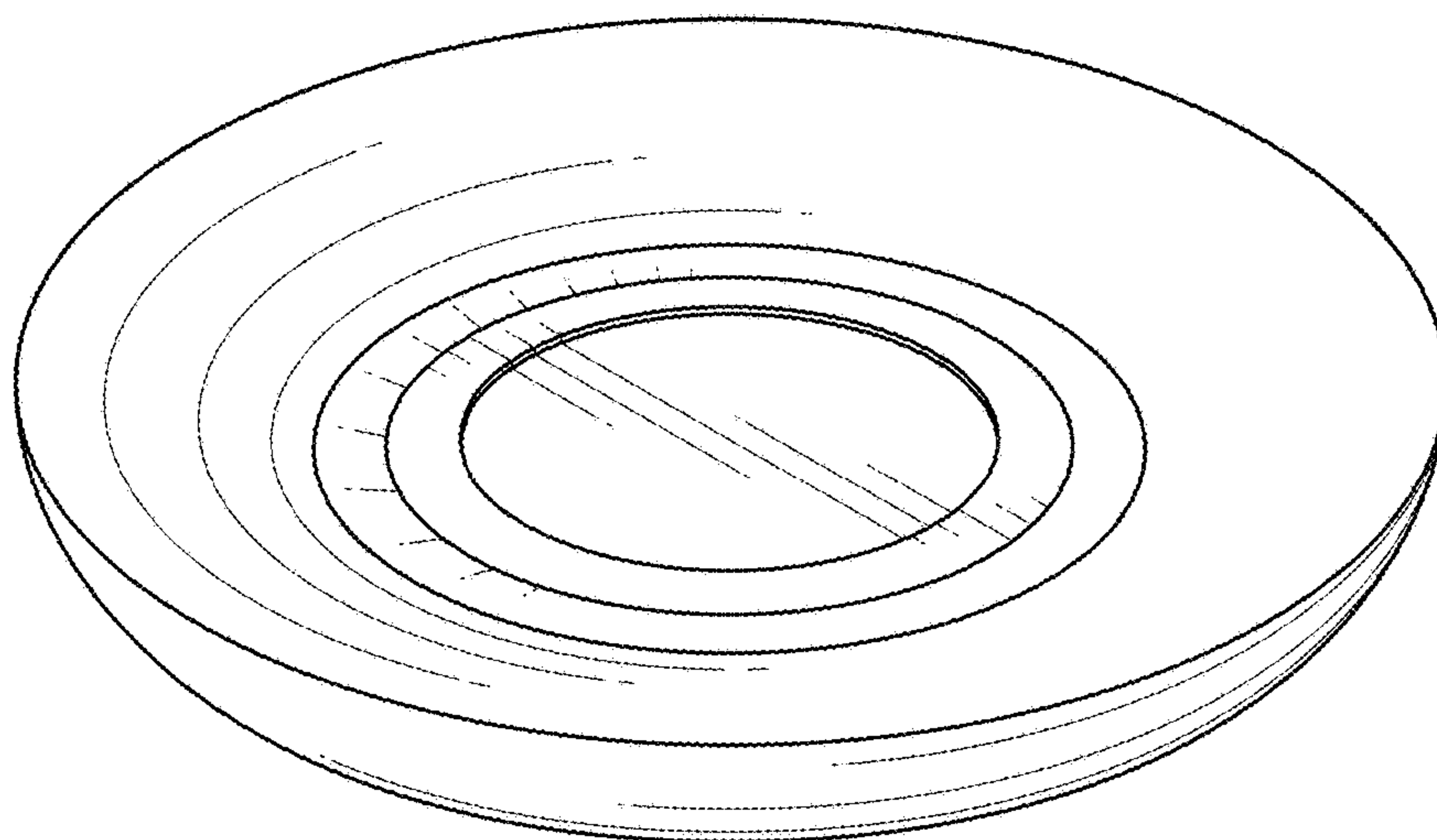


FIG. 1

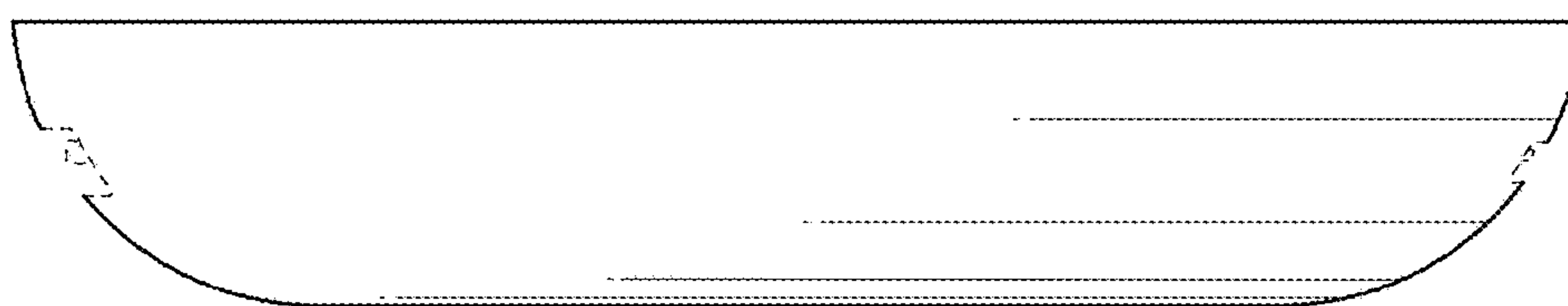


FIG. 2

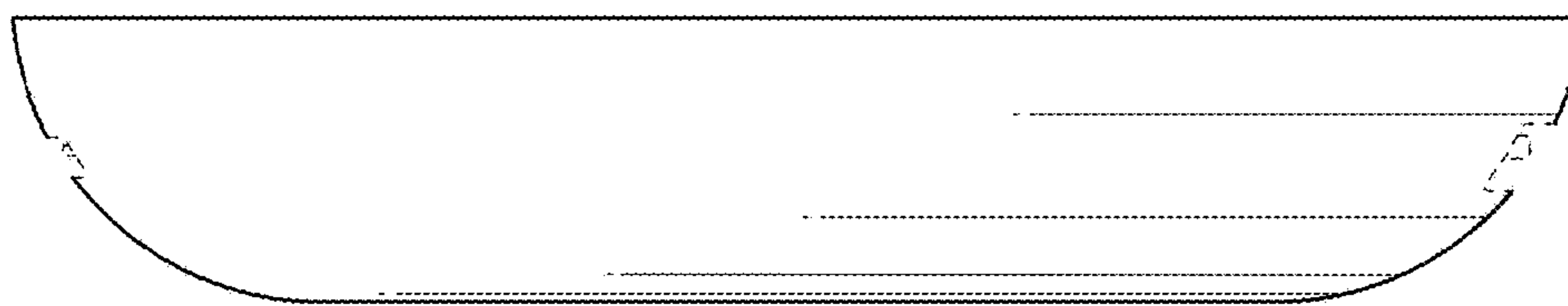


FIG. 3

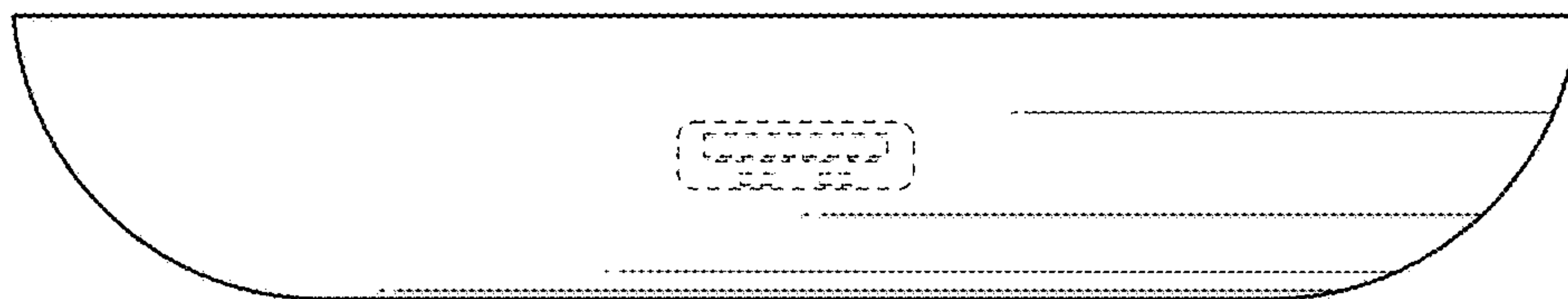


FIG. 4

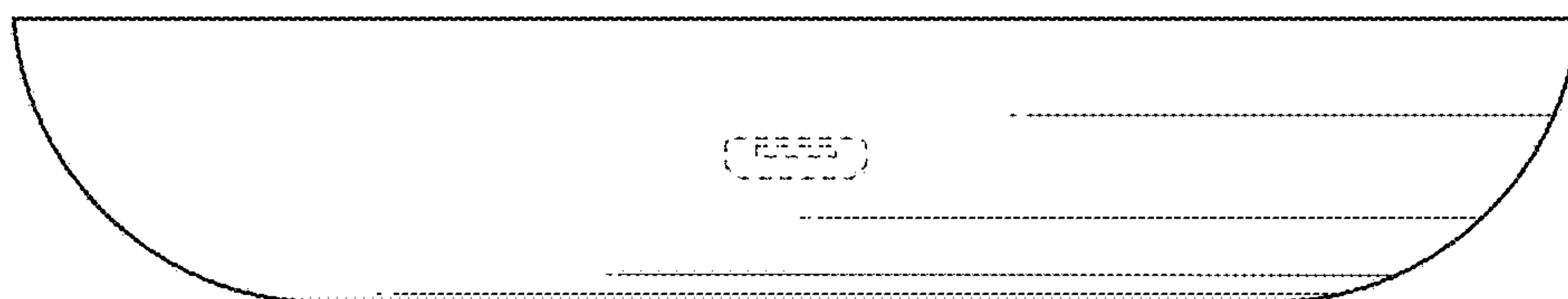


FIG. 5

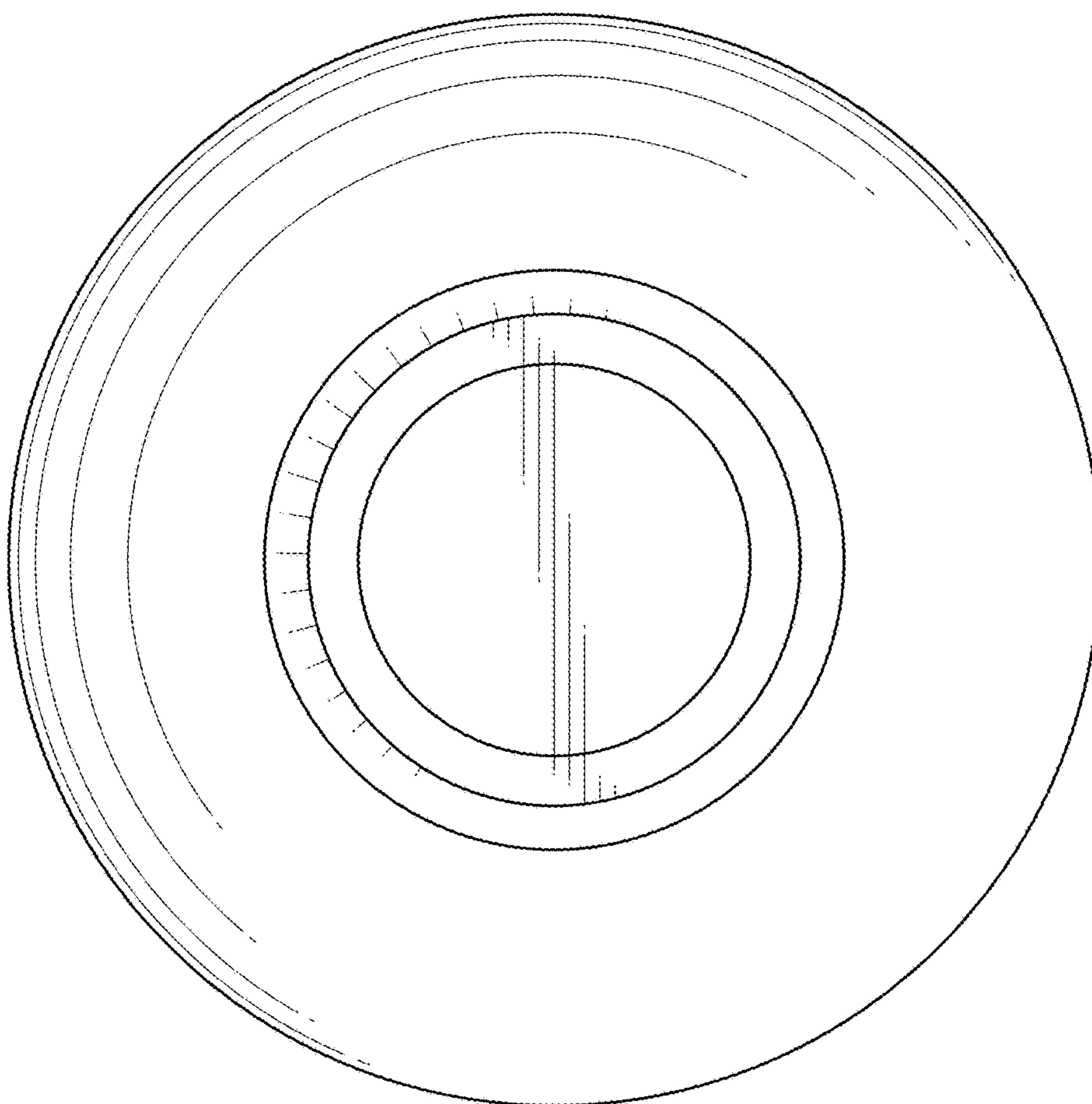


FIG. 6

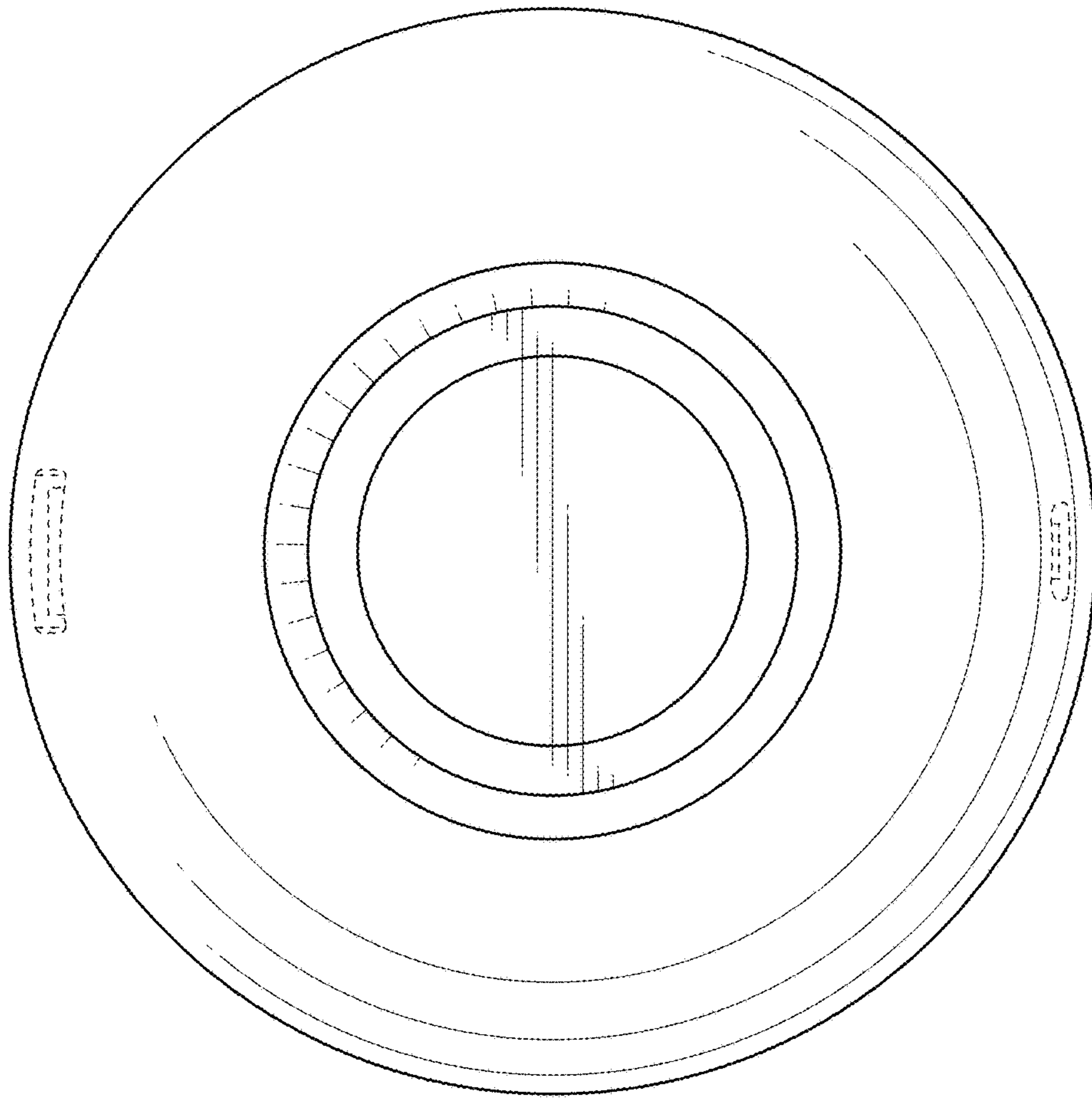


FIG. 7

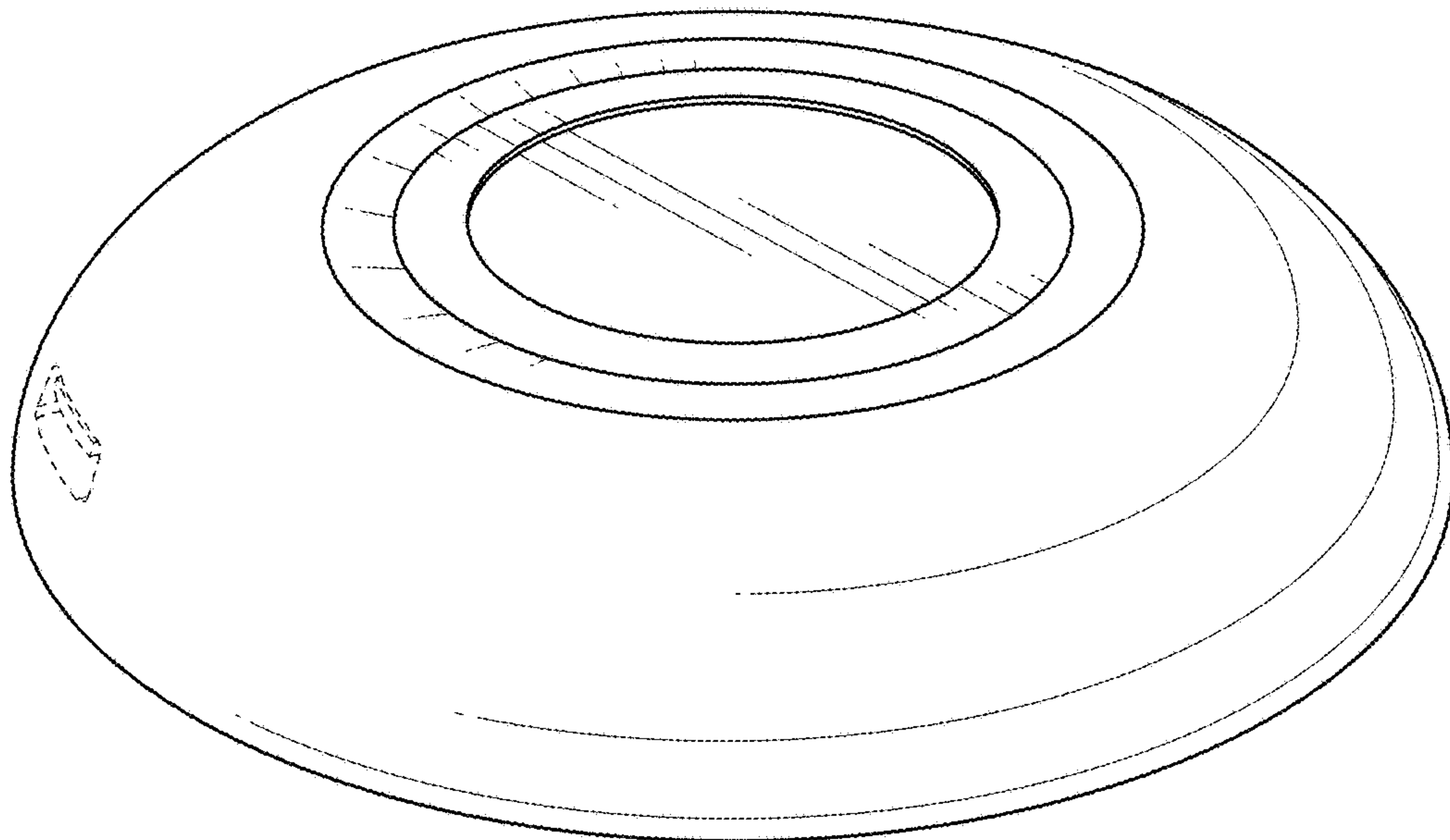


FIG. 8