



US00D797038S

(12) **United States Design Patent**  
**Sekine et al.**

(10) **Patent No.:** **US D797,038 S**

(45) **Date of Patent:** **\*\* Sep. 12, 2017**

(54) **AUTOMOBILE TIRE**

(71) Applicant: **THE YOKOHAMA RUBBER CO., LTD.**, Minato-ku, Tokyo (JP)

(72) Inventors: **Katsuyoshi Sekine**, Hiratsuka (JP);  
**Noboru Kuwahara**, Tokyo (JP)

(73) Assignee: **THE YOKOHAMA RUBBER CO., LTD.**, Minato-ku, Tokyo (JP)

(\*\*) Term: **15 Years**

(21) Appl. No.: **29/560,651**

(22) Filed: **Apr. 8, 2016**

(30) **Foreign Application Priority Data**

Oct. 9, 2015 (JP) ..... 2015-022368

(51) **LOC (10) Cl.** ..... **12-15**

(52) **U.S. Cl.**  
USPC ..... **D12/605**

(58) **Field of Classification Search**  
USPC ..... D12/500-605, 900; D5/30; D7/396.4,  
D7/396.5, 588; 152/DIG. 12, 209.1,  
152/209.8, 209.9, 209.12, 209.16, 209.26,  
152/209.27, 517, 523, 425, 902, 903  
CPC ..... B60C 13/00; B60C 13/001; B60C 13/02;  
B60C 1/00; B60C 1/0025; B60C 17/08  
See application file for complete search history.

(56) **References Cited**

**U.S. PATENT DOCUMENTS**

- D569,337 S \* 5/2008 Iwabuchi ..... D12/605
- D584,682 S \* 1/2009 Tanaka ..... D12/605
- D628,959 S \* 12/2010 Harvey ..... D12/605
- D629,745 S \* 12/2010 Shondel ..... D12/605
- D647,473 S \* 10/2011 Kujime ..... D12/605
- D700,886 S \* 3/2014 Matsumoto ..... D12/605
- D704,131 S \* 5/2014 Minami ..... D12/605

- D707,621 S \* 6/2014 Tokizaki ..... D12/605
- D708,121 S \* 7/2014 Iwabuchi ..... D12/605
- D711,816 S \* 8/2014 Iwabuchi ..... D12/605
- D739,344 S \* 9/2015 Kuwano ..... D12/605
- D740,747 S \* 10/2015 Sato ..... D12/605
- D749,499 S \* 2/2016 Iwabuchi ..... D12/605
- D750,554 S \* 3/2016 Iwabuchi ..... D12/605
- D754,063 S \* 4/2016 Iwabuchi ..... D12/605
- D754,596 S \* 4/2016 Tokizaki ..... D12/605
- D773,987 S \* 12/2016 Ishikawa ..... D12/605

(Continued)

*Primary Examiner* — Wan Laymon

*Assistant Examiner* — Clint A Samuel

(74) *Attorney, Agent, or Firm* — Banner & Witcoff, Ltd.

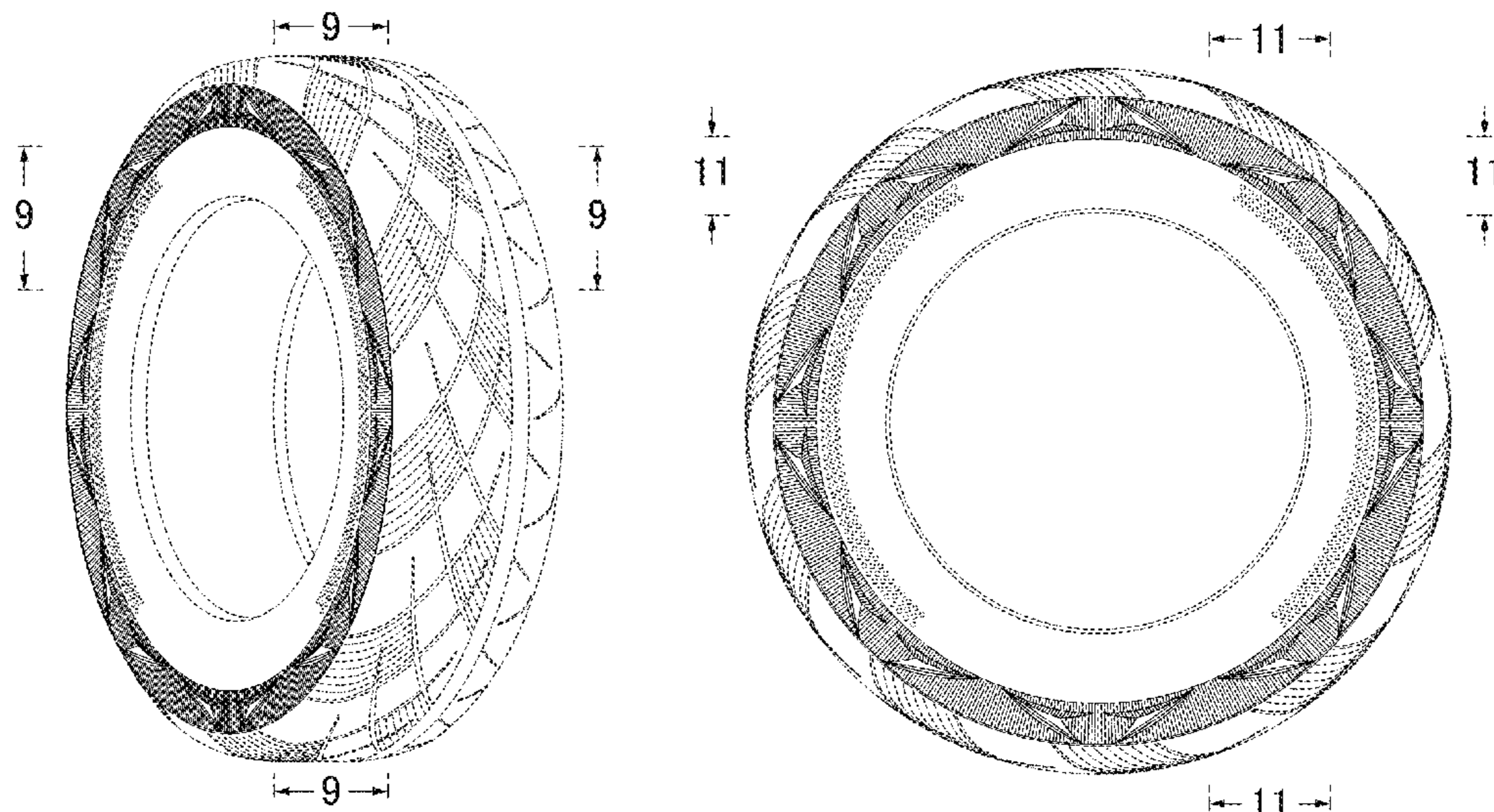
(57) **CLAIM**

The ornamental design for an automobile tire, as shown and described.

**DESCRIPTION**

FIG. 1 is a front perspective view of an automobile tire showing our new design;  
 FIG. 2 is a rear perspective view thereof;  
 FIG. 3 is a front view thereof;  
 FIG. 4 is a rear view thereof;  
 FIG. 5 is a right side view thereof;  
 FIG. 6 is a left side view thereof;  
 FIG. 7 is a top view thereof;  
 FIG. 8 is a bottom view thereof;  
 FIG. 9 is a partially enlarged view of a portion defined by lines 9-9 shown in FIG. 1;  
 FIG. 10 is a partially enlarged view of a portion defined by lines 10-10 shown in FIG. 9;  
 FIG. 11 is a partially enlarged view of a portion defined by lines 11-11 shown in FIG. 3; and,  
 FIG. 12 is an end elevational view of a portion defined by lines 12-12 shown in FIG. 11.  
 In the drawings, the broken lines depict environmental subject matter only and form no part of the claimed design.

**1 Claim, 6 Drawing Sheets**



(56)

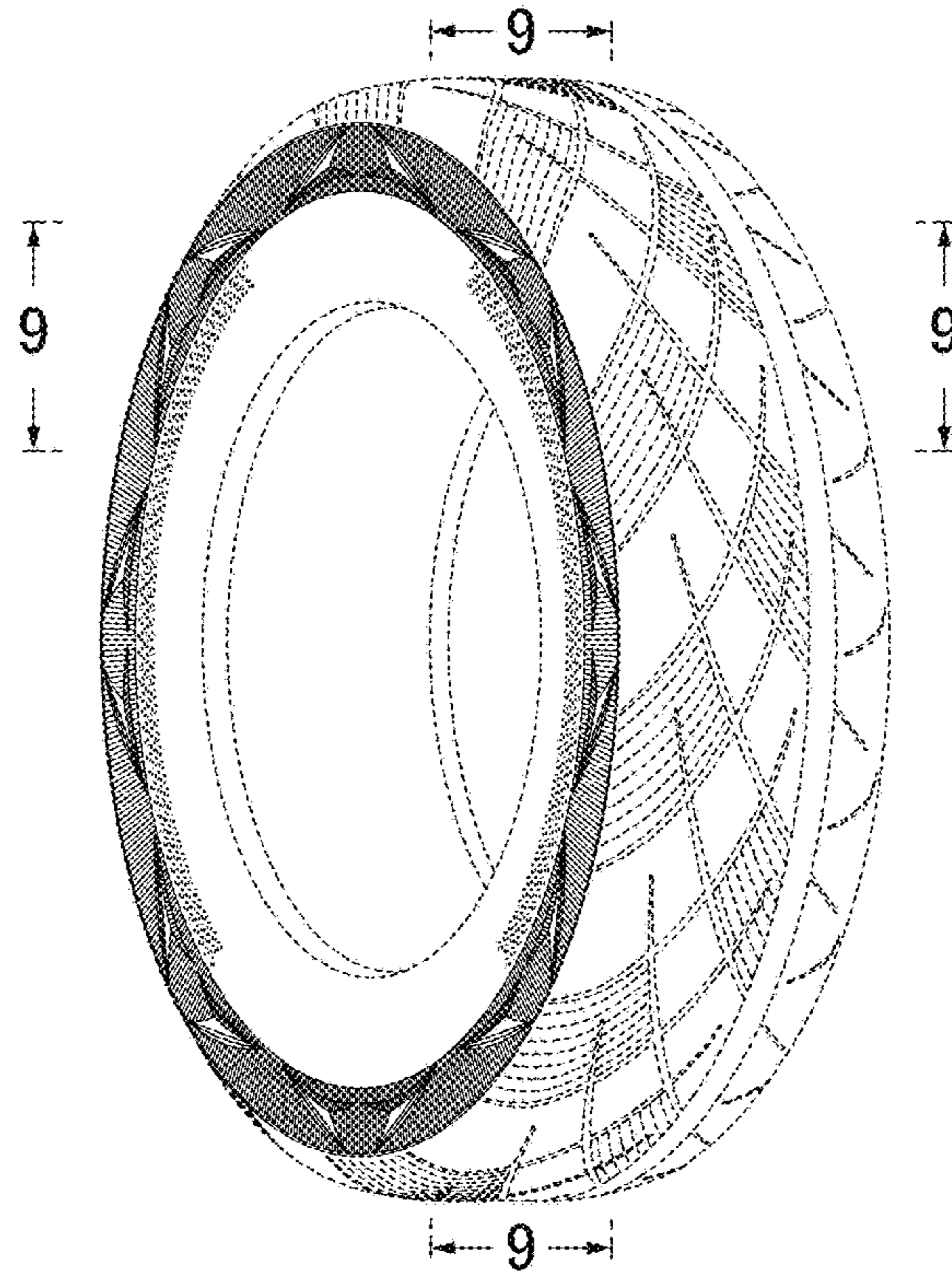
**References Cited**

U.S. PATENT DOCUMENTS

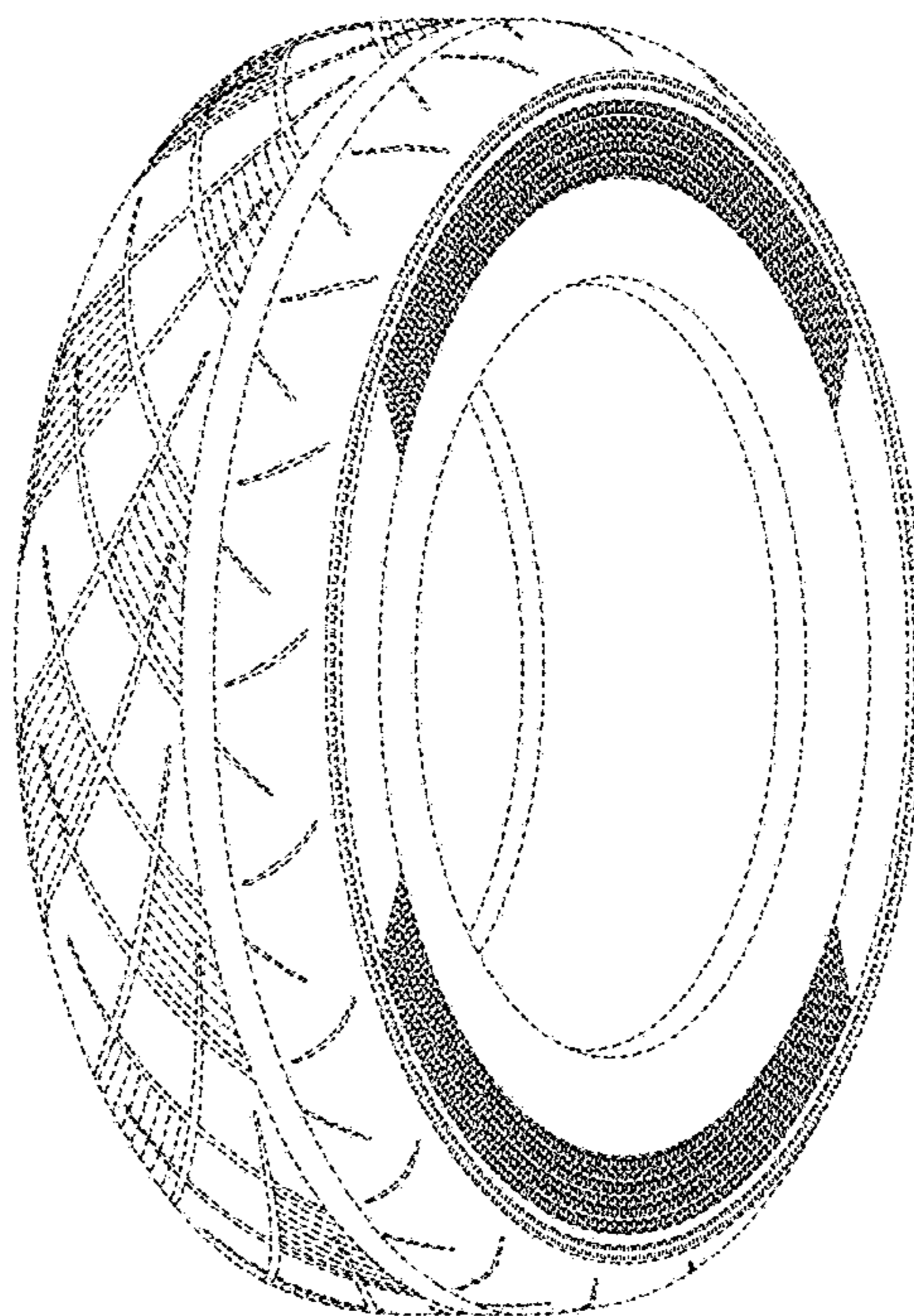
D777,656 S \* 1/2017 Maxwell ..... D12/605  
2010/0018624 A1\* 1/2010 Miyasaka ..... B60C 13/001  
152/523  
2011/0253278 A1\* 10/2011 Tokizaki ..... B60C 13/001  
152/523  
2012/0055603 A1\* 3/2012 Tokizaki ..... B60C 13/001  
152/523  
2012/0132333 A1\* 5/2012 Ebiko ..... B60C 11/0309  
152/209.8  
2014/0041782 A1\* 2/2014 Kudo ..... B60C 13/001  
152/523  
2015/0004335 A1\* 1/2015 Parr ..... F41H 3/00  
428/30  
2016/0361955 A1\* 12/2016 Iwabuchi ..... B60C 13/001

\* cited by examiner

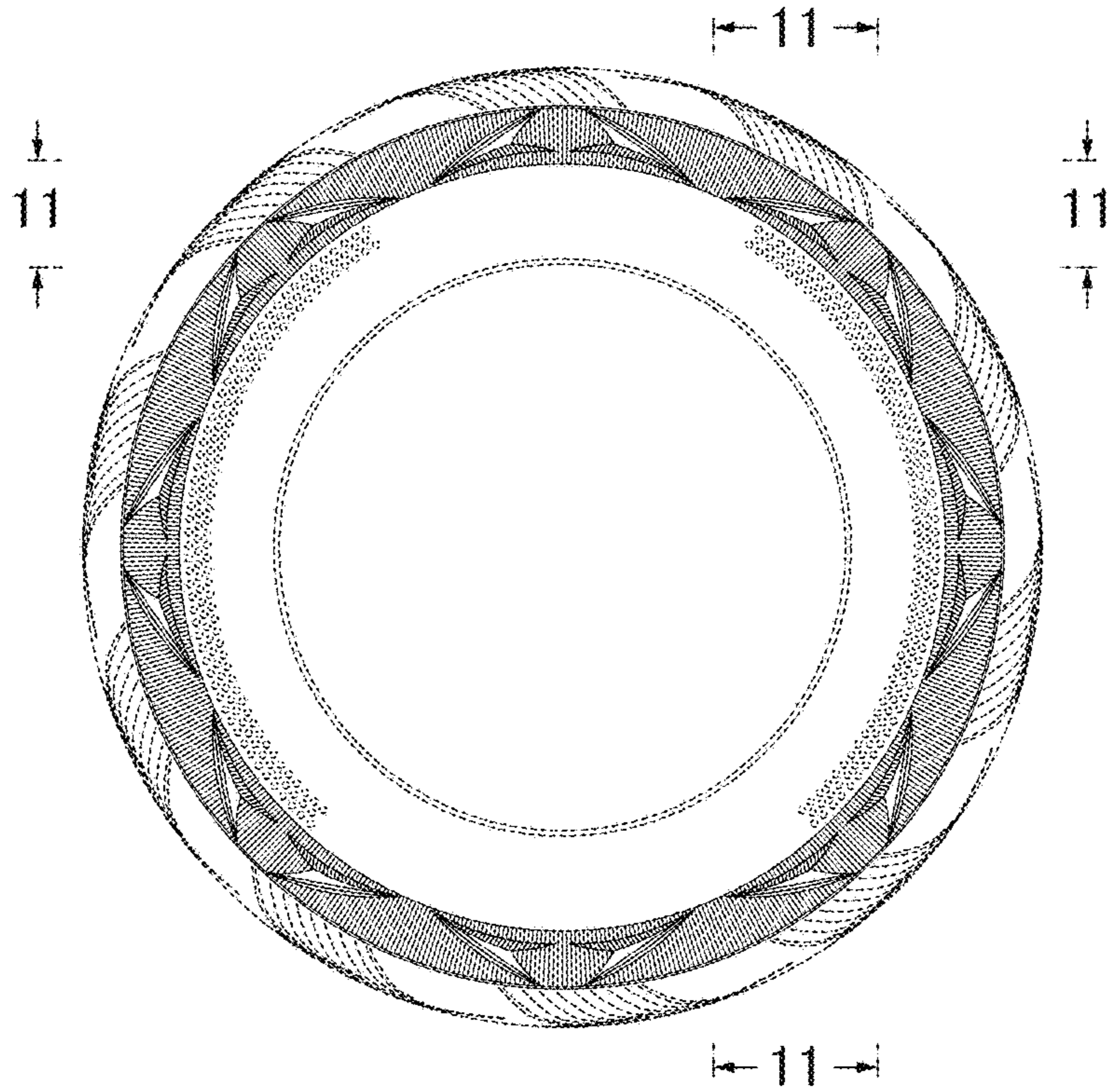
**FIG. 1**



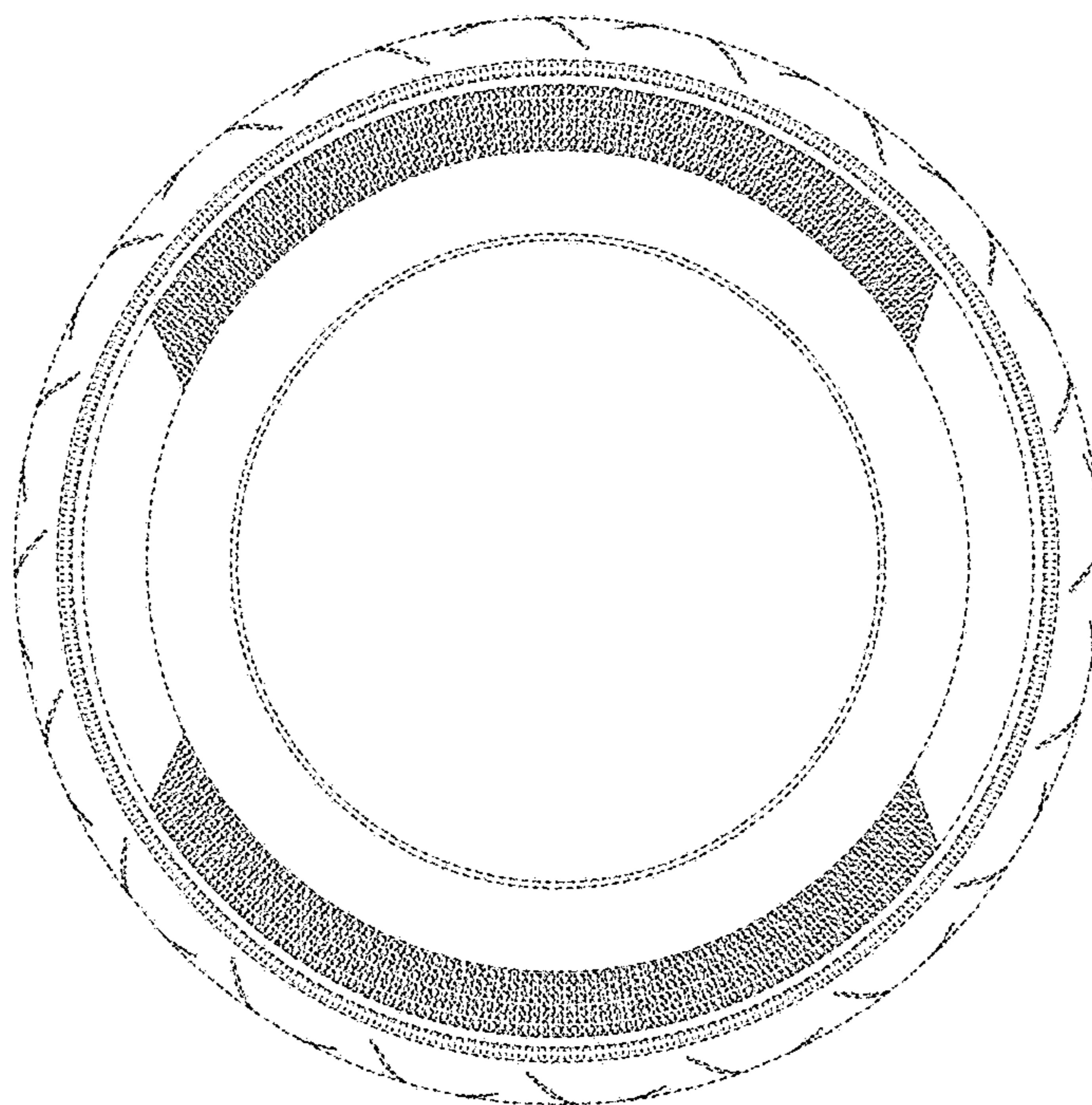
**FIG. 2**



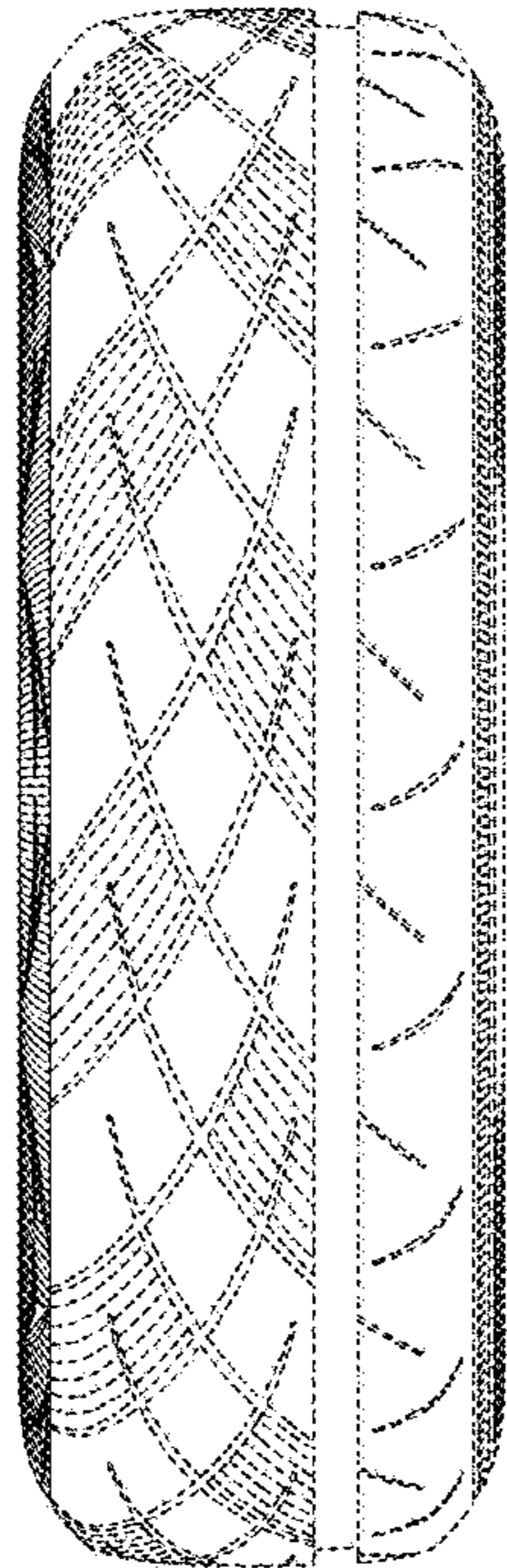
**FIG. 3**



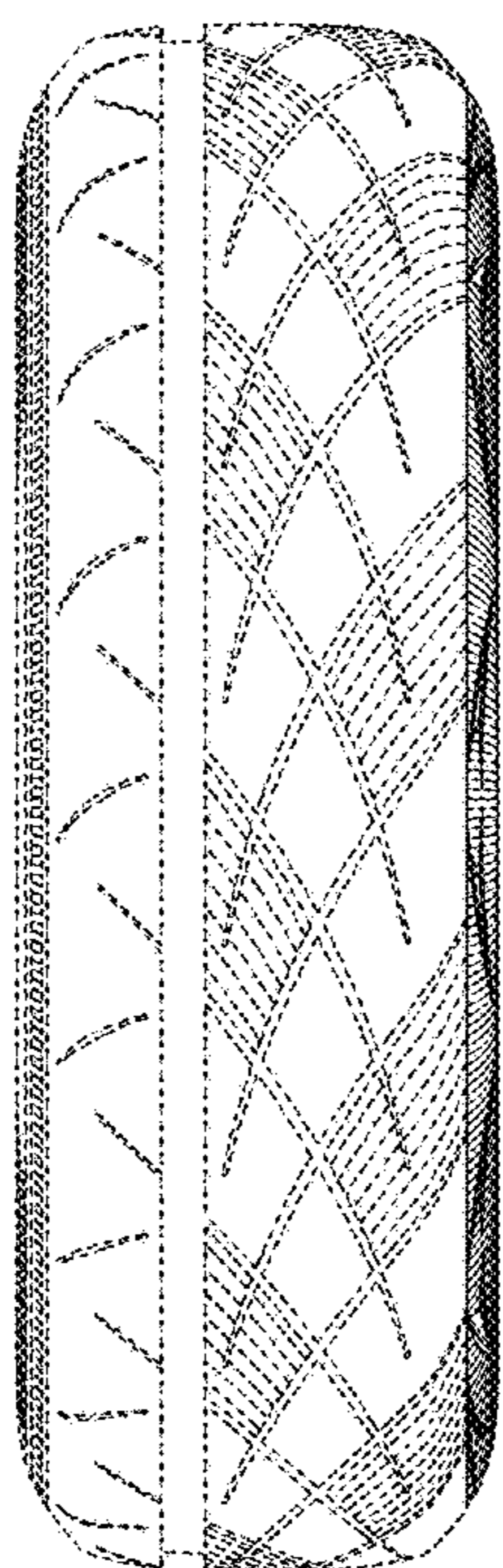
**FIG. 4**



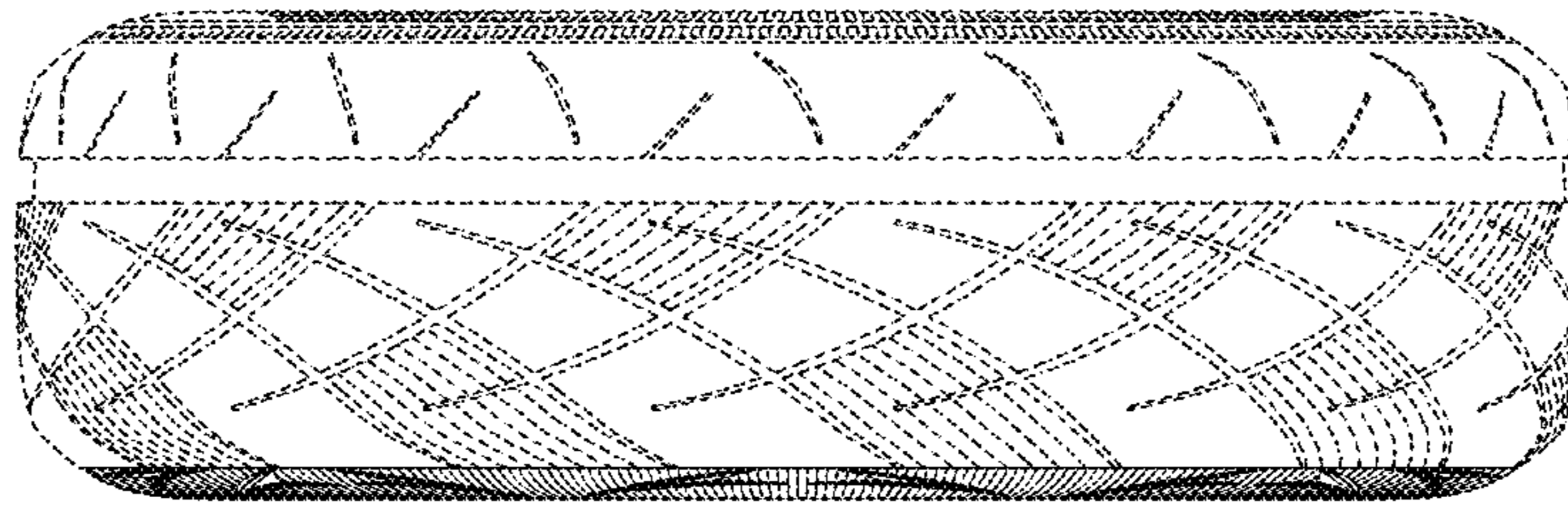
**FIG. 5**



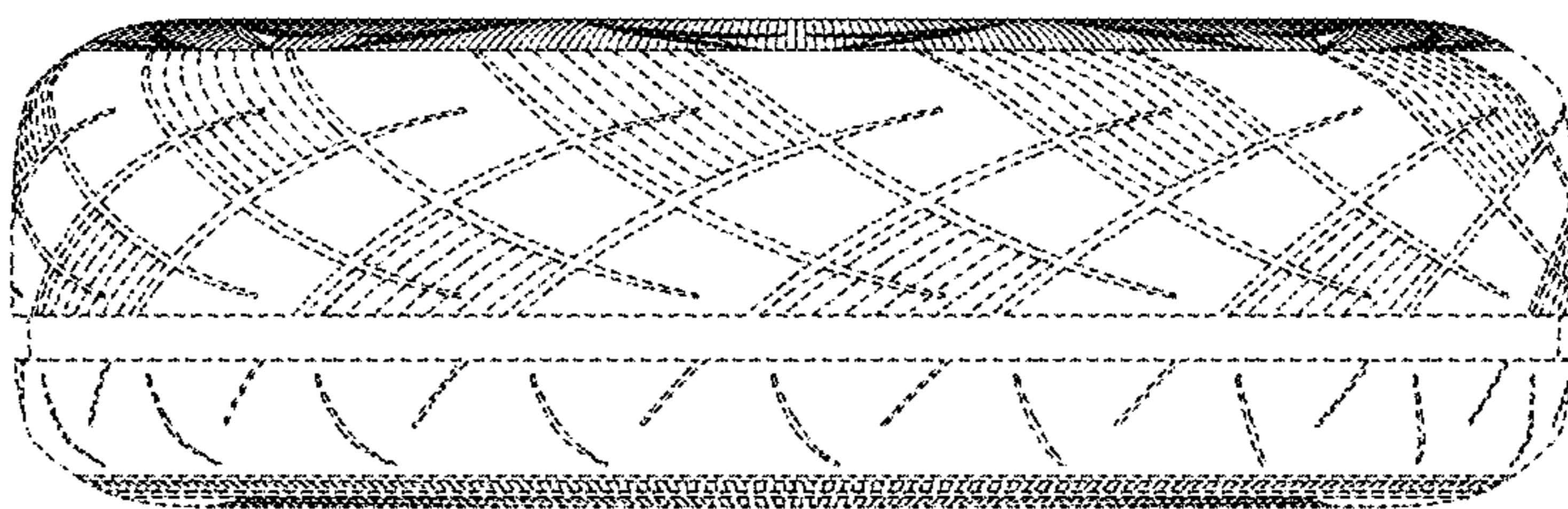
**FIG. 6**



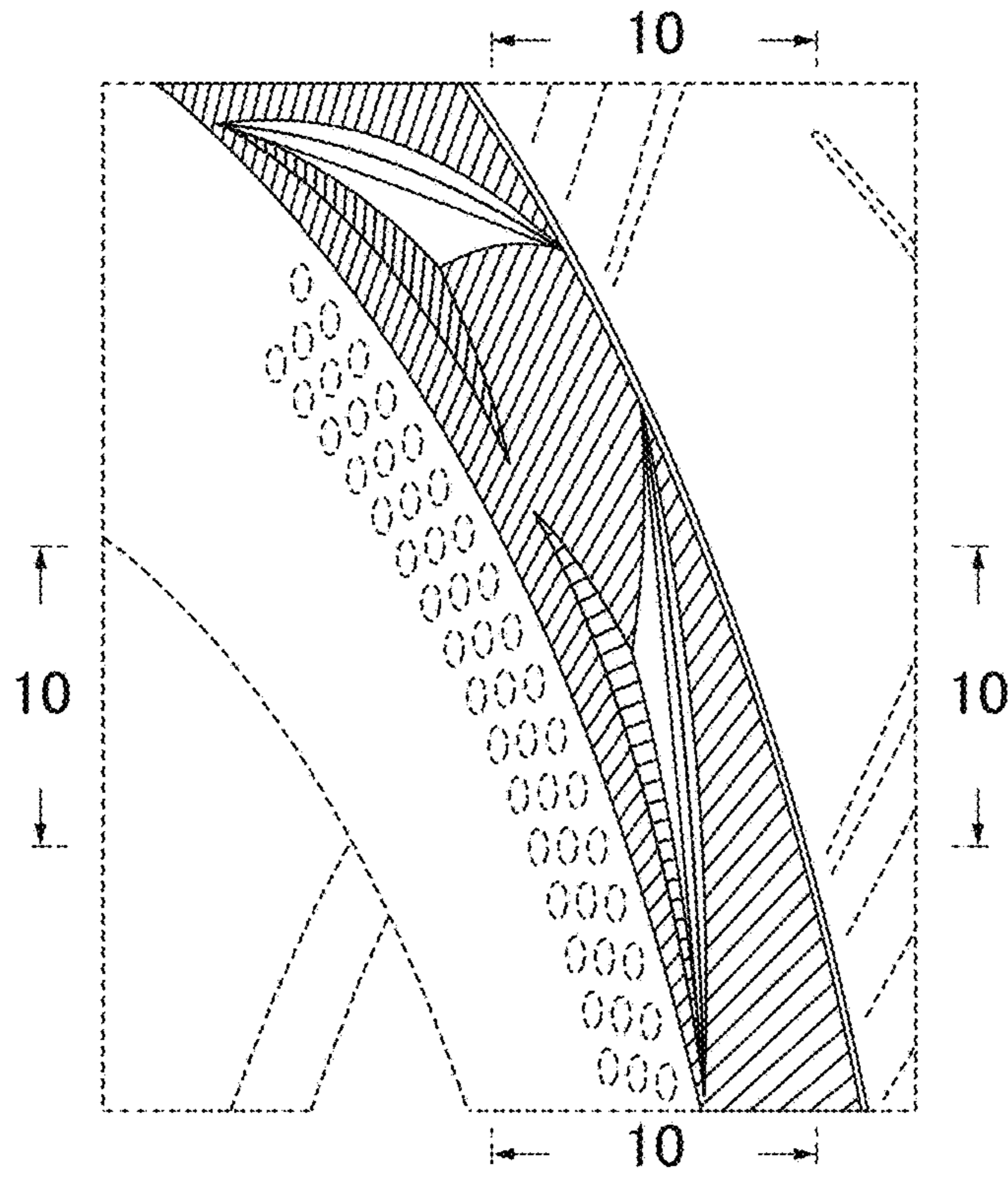
**FIG. 7**



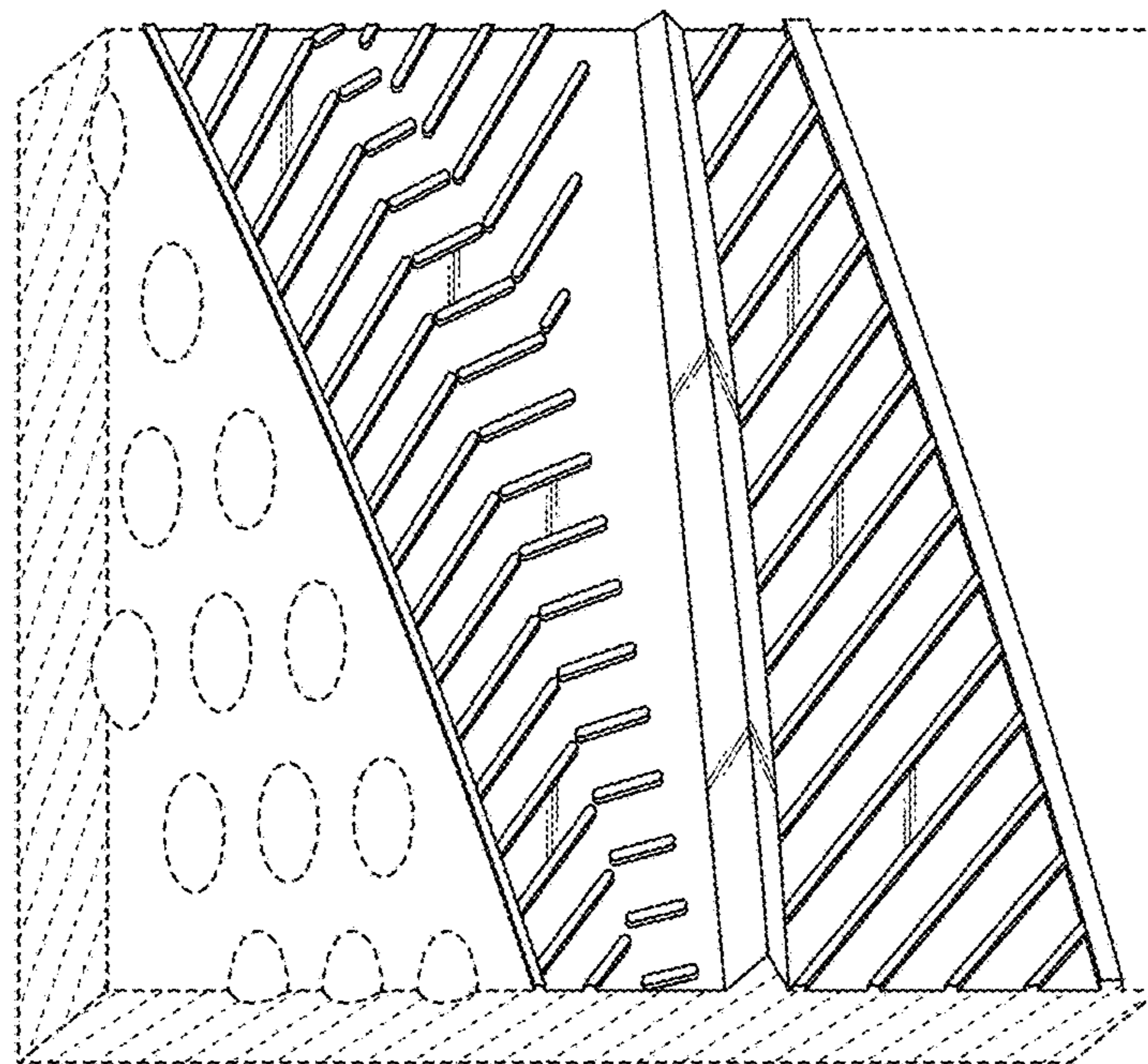
**FIG. 8**



**FIG. 9**

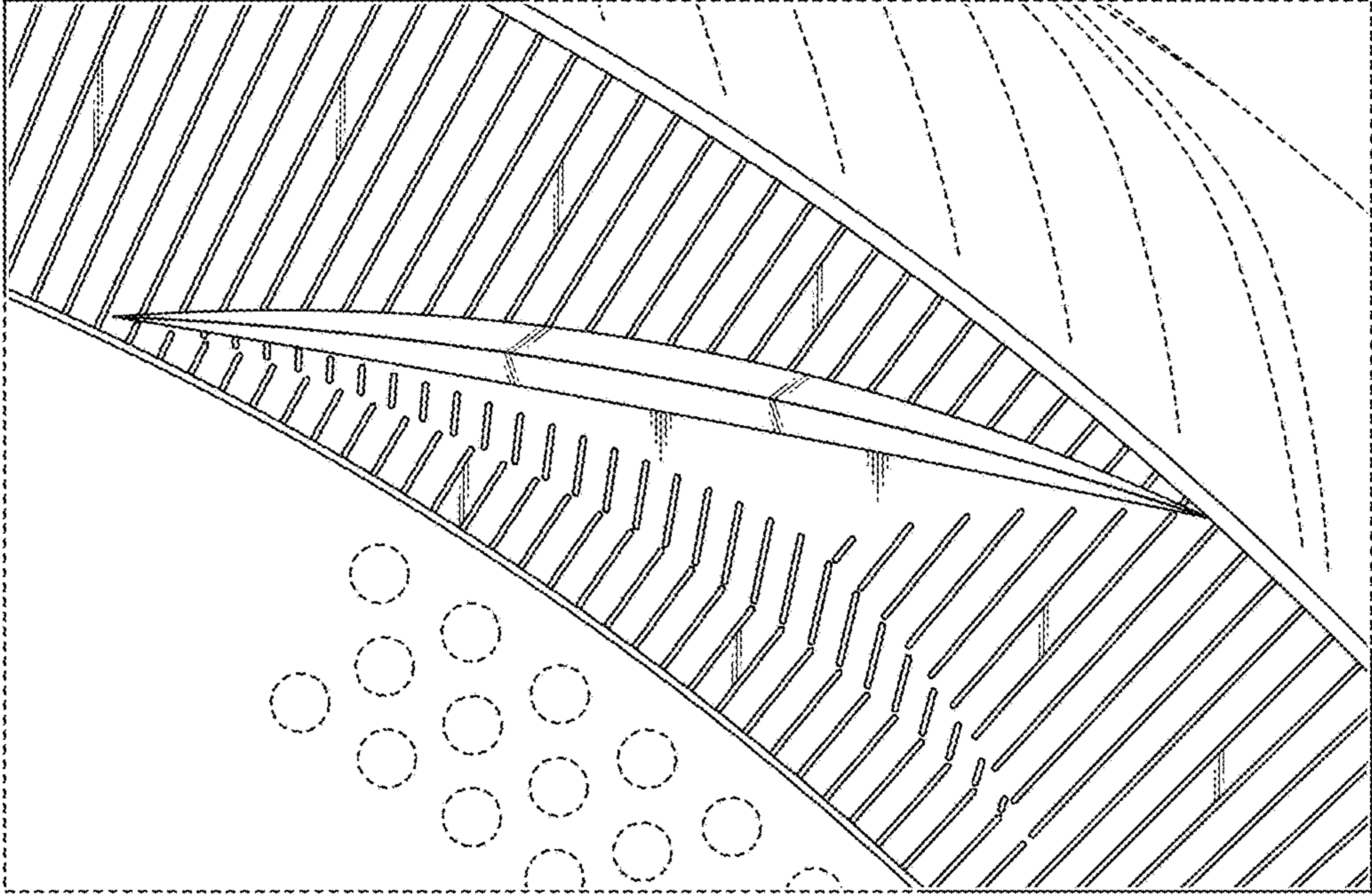


**FIG. 10**



**FIG. 11**

←12



←12

**FIG. 12**

