



US00D797036S

(12) **United States Design Patent** (10) **Patent No.:** **US D797,036 S**
Morito et al. (45) **Date of Patent:** **** Sep. 12, 2017**

(54) **AUTOMOBILE TIRE**

D671,065 S * 11/2012 Scheifele D12/531
D682,188 S * 5/2013 Sareen D12/524
D682,191 S * 5/2013 Ebiko D12/605

(71) Applicant: **THE YOKOHAMA RUBBER CO., LTD.**, Minato-ku, Tokyo (JP)

(Continued)

(72) Inventors: **Takumi Morito**, Tokyo (JP); **Takuya Inoue**, Hiratsuka (JP)

FOREIGN PATENT DOCUMENTS

JP D1308168 8/2007

(73) Assignee: **THE YOKOHAMA RUBBER CO., LTD.**, Minato-ku, Tokyo (JP)

OTHER PUBLICATIONS

(**) Term: **14 Years**

Feb. 3, 2015—(JP) Notification of Reasons for Refusal (English Translation)—JP App 2014-023537.

(21) Appl. No.: **29/524,553**

Primary Examiner — Sandra Snapp

(22) Filed: **Apr. 21, 2015**

Assistant Examiner — Katherine Glennon

(30) **Foreign Application Priority Data**

(74) *Attorney, Agent, or Firm* — Banner & Witcoff, Ltd.

Oct. 21, 2014 (JP) 2014-023537

(57) **CLAIM**

(51) **LOC (10) Cl.** **12-15**

The ornamental design for an automobile tire, as shown and described.

(52) **U.S. Cl.**

DESCRIPTION

USPC **D12/524**

(58) **Field of Classification Search**

USPC D12/505–532

CPC B60C 11/0302; B60C 11/0304; B60C

11/0306; B60C 11/0309; B60C 11/0311;

B60C 11/0318; B60C 11/0337; B60C

11/0339; B60C 11/042; B60C 11/00;

B60C 11/11; B60C 11/12; B60C 11/13

See application file for complete search history.

FIG. 1 is a perspective view of an automobile tire showing our new design;

FIG. 2 is a front view thereof;

FIG. 3 is a rear view thereof;

FIG. 4 is a right side view thereof;

FIG. 5 is a left side view thereof;

FIG. 6 is a top view thereof;

FIG. 7 is a bottom view thereof;

FIG. 8 is a partially enlarged view of a portion defined by lines 8-8 shown in FIG. 1;

FIG. 9 is a partially enlarged view of a portion defined by lines 9-9 shown in FIG. 2; and,

FIG. 10 is a cross sectional view of a portion defined by lines 10-10 shown in FIG. 9.

The evenly spaced broken lines in the drawings illustrate the article and form no part of the claimed design. The dot-dash lines in the drawings represent boundaries of the claimed design and form no part thereof.

(56) **References Cited**

U.S. PATENT DOCUMENTS

D384,923 S * 10/1997 Allen D12/590

D460,402 S * 7/2002 Ishida D12/523

D525,186 S * 7/2006 Martin D12/521

D575,725 S * 8/2008 Hirai D12/518

D633,858 S * 3/2011 Sato D12/521

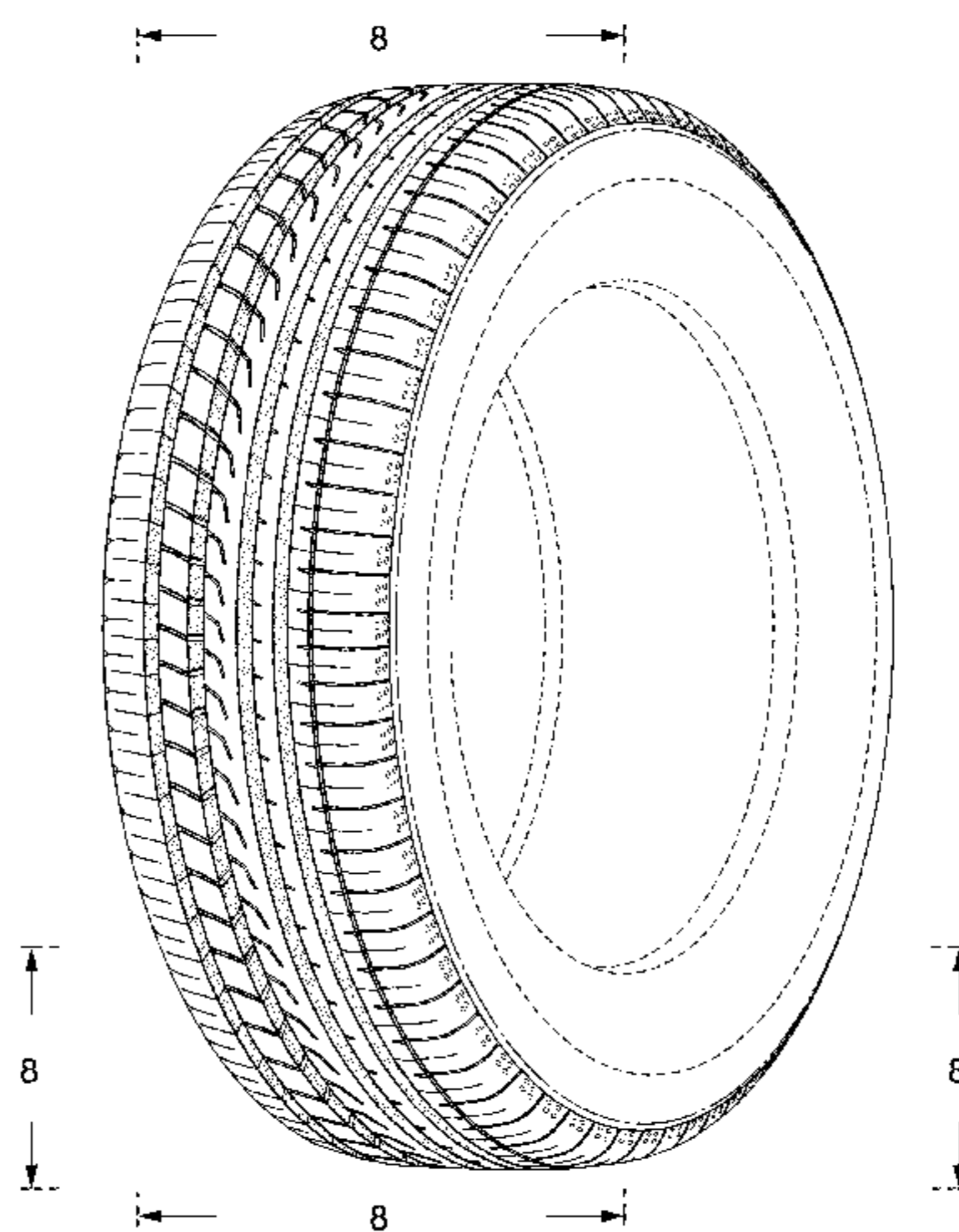
D656,083 S * 3/2012 Mukai D12/519

D659,084 S * 5/2012 Graas D12/590

D667,359 S * 9/2012 Ishida D12/523

D668,600 S * 10/2012 Pingnat D12/584

1 Claim, 10 Drawing Sheets



(56)

References Cited

U.S. PATENT DOCUMENTS

D682,773	S *	5/2013	Kuwano	D12/523
D686,138	S *	7/2013	Chartier	D12/521
D686,139	S *	7/2013	Chartier	D12/521
9,061,552	B2 *	6/2015	Hada	B60C 11/0306
D738,296	S *	9/2015	Shimizu	D12/585
D753,049	S *	4/2016	Koishikawa	D12/523
D757,636	S *	5/2016	Zhang	D12/521
D765,585	S *	9/2016	Fujii	D12/601
D769,799	S *	10/2016	Sareen	D12/590
2011/0079334	A1 *	4/2011	Bott	B60C 11/0302 152/209.14
2015/0210122	A1 *	7/2015	Shimizu	B60C 11/1259 152/209.25
2016/0082778	A1 *	3/2016	Koishikawa	B60C 11/0318 152/209.2
2016/0121658	A1 *	5/2016	Skurich	B60C 11/0327 152/209.18
2016/0144665	A1 *	5/2016	Koishikawa	B60C 11/0306 152/209.1

* cited by examiner

FIG. 1

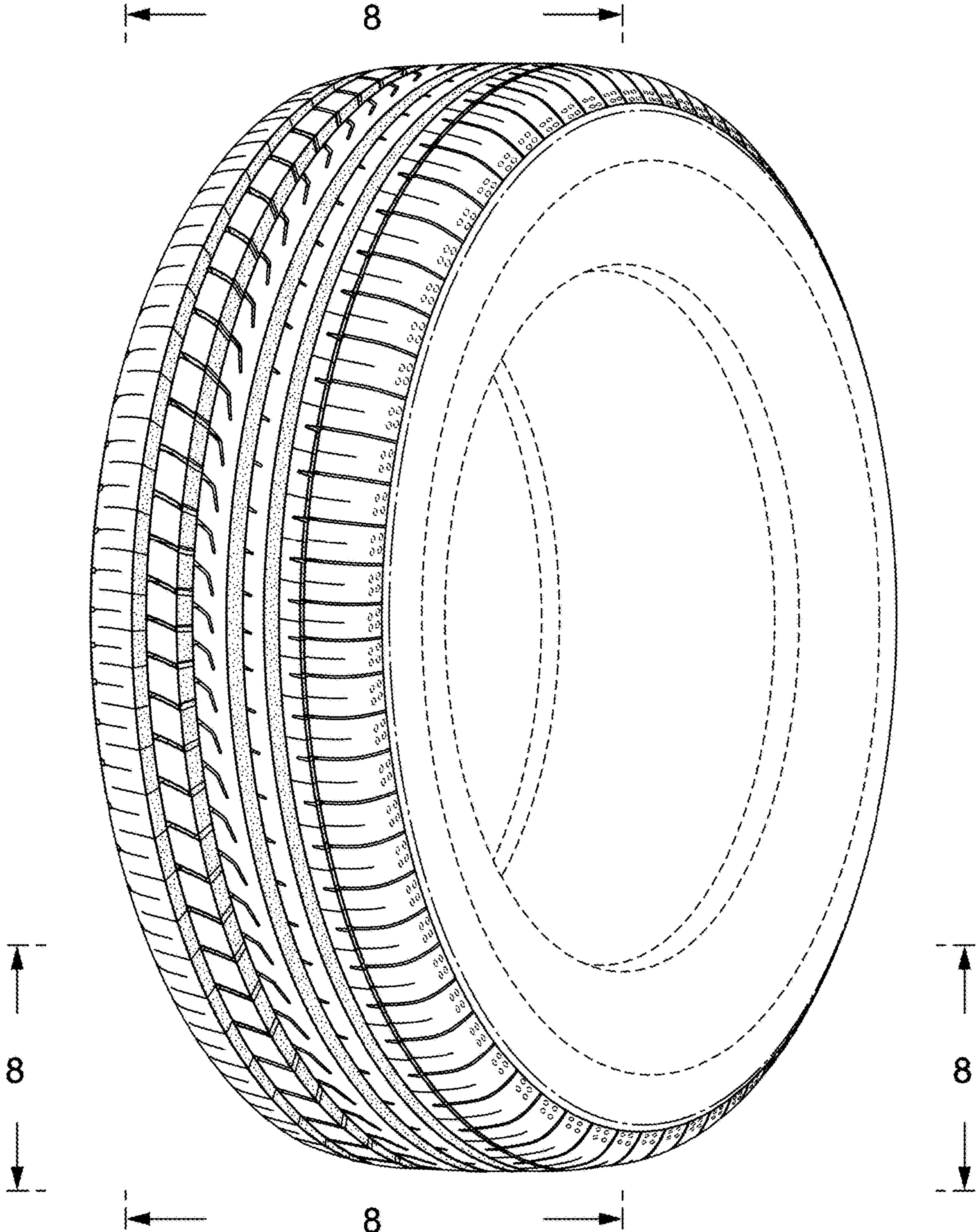


FIG. 2

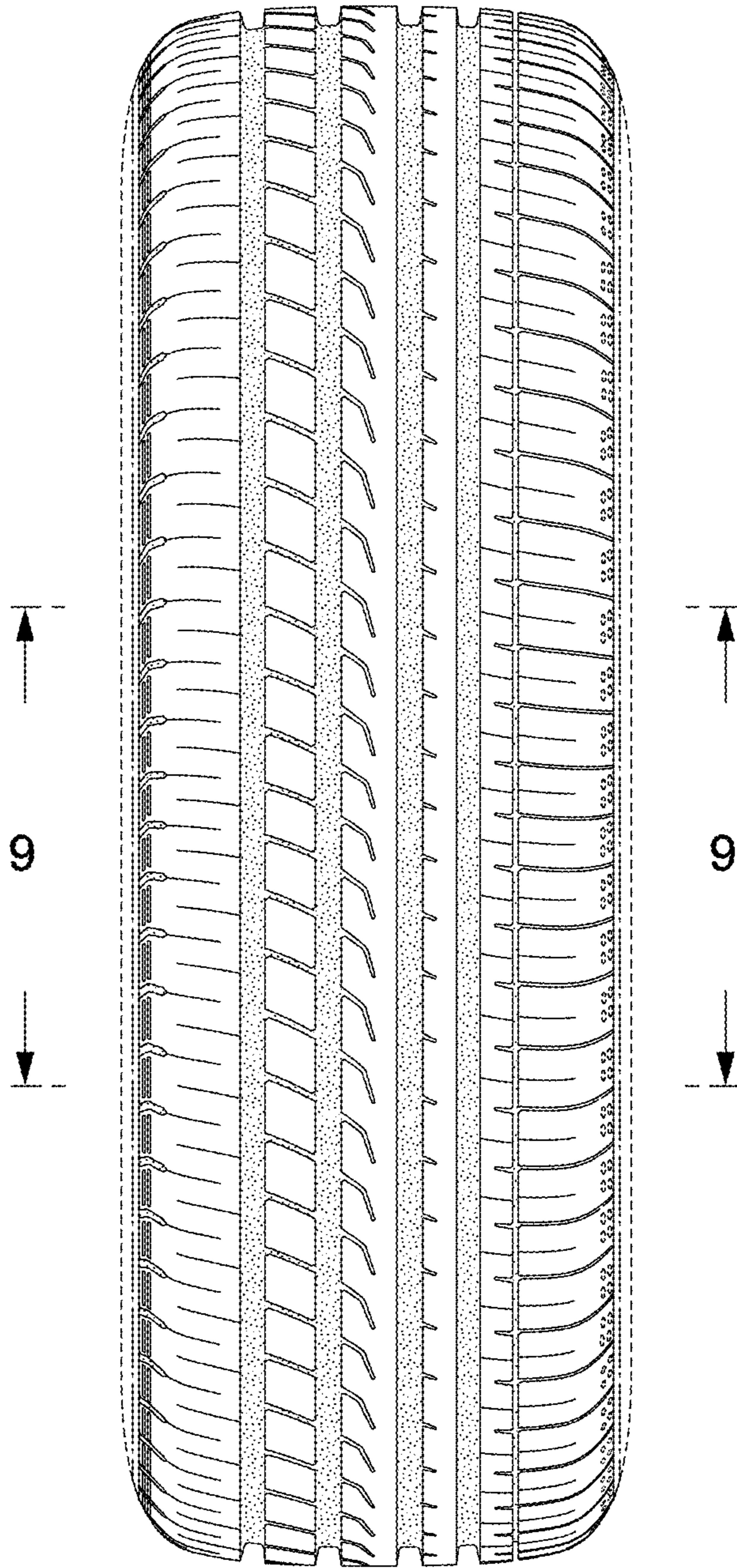


FIG. 3

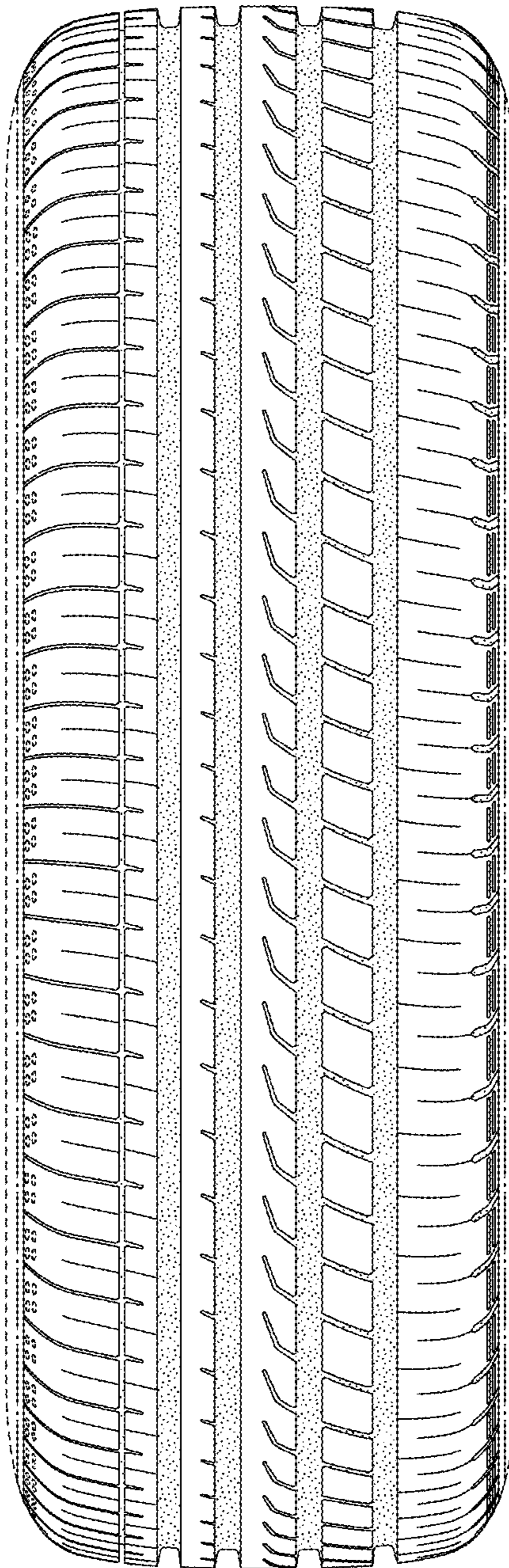


FIG. 4

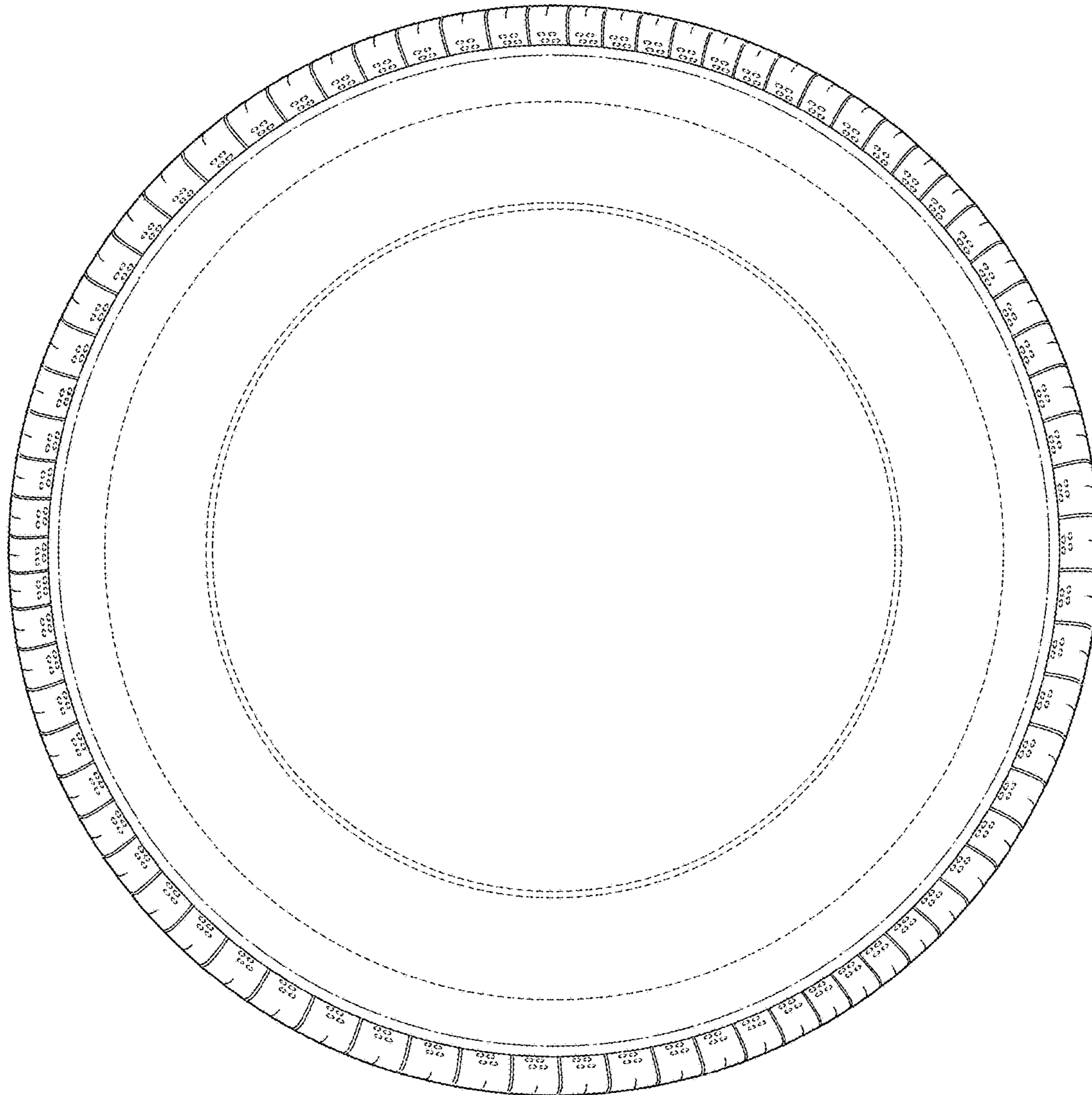


FIG. 5

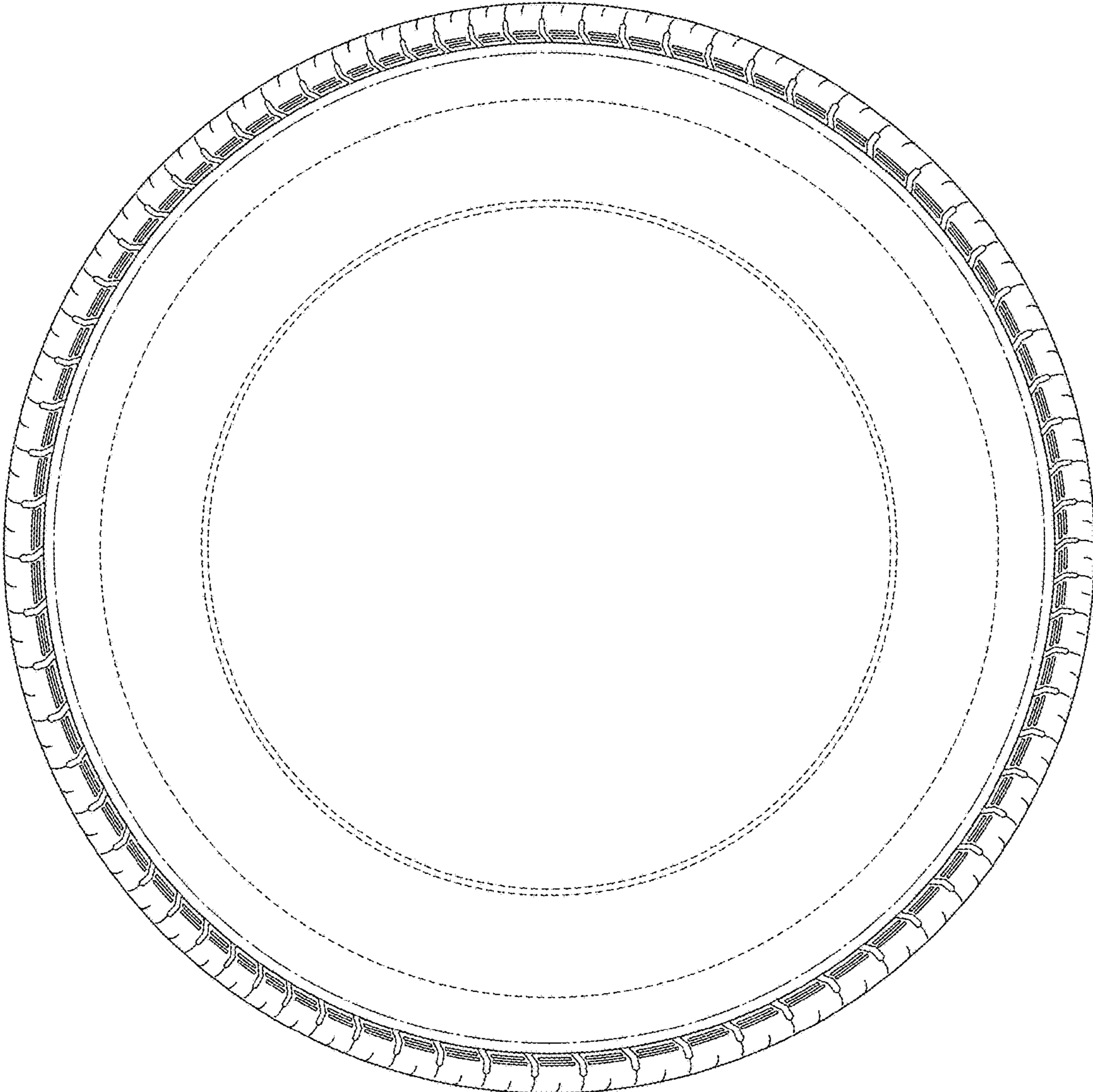


FIG. 6

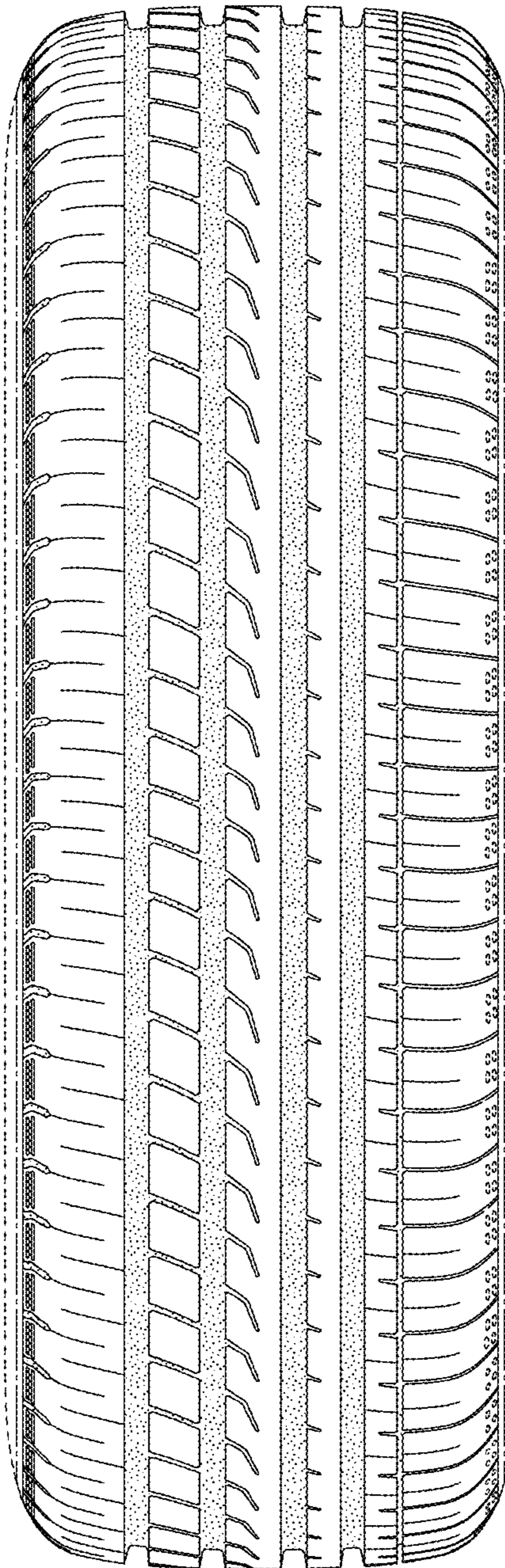


FIG. 7

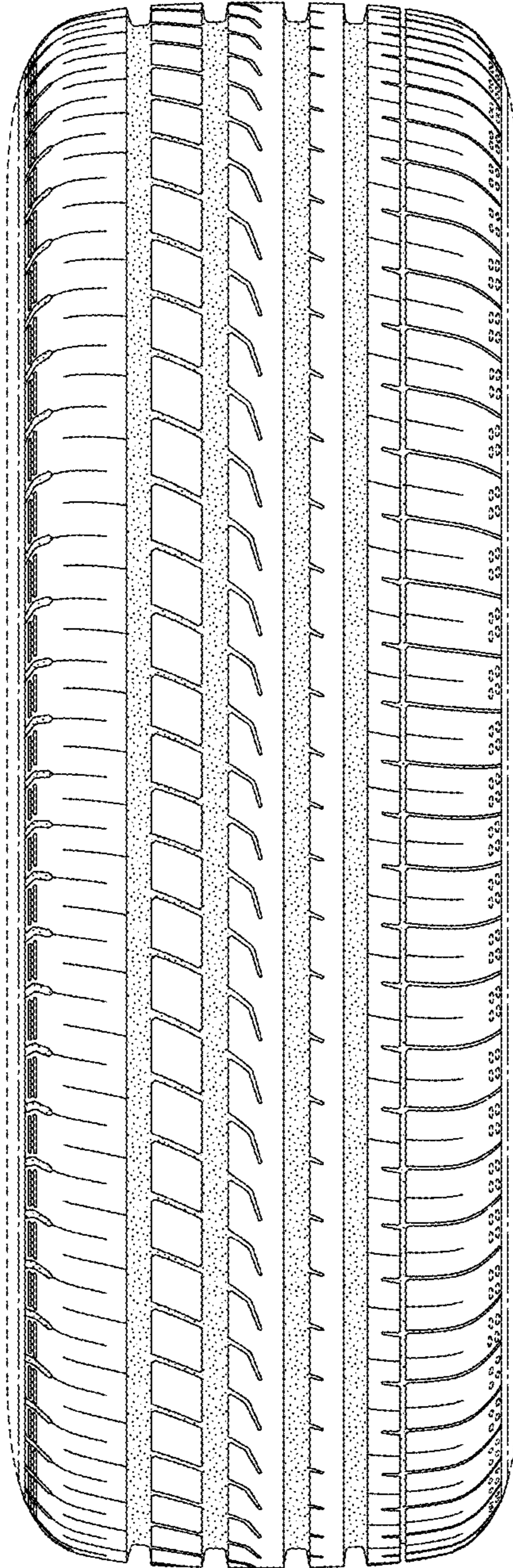


FIG. 8

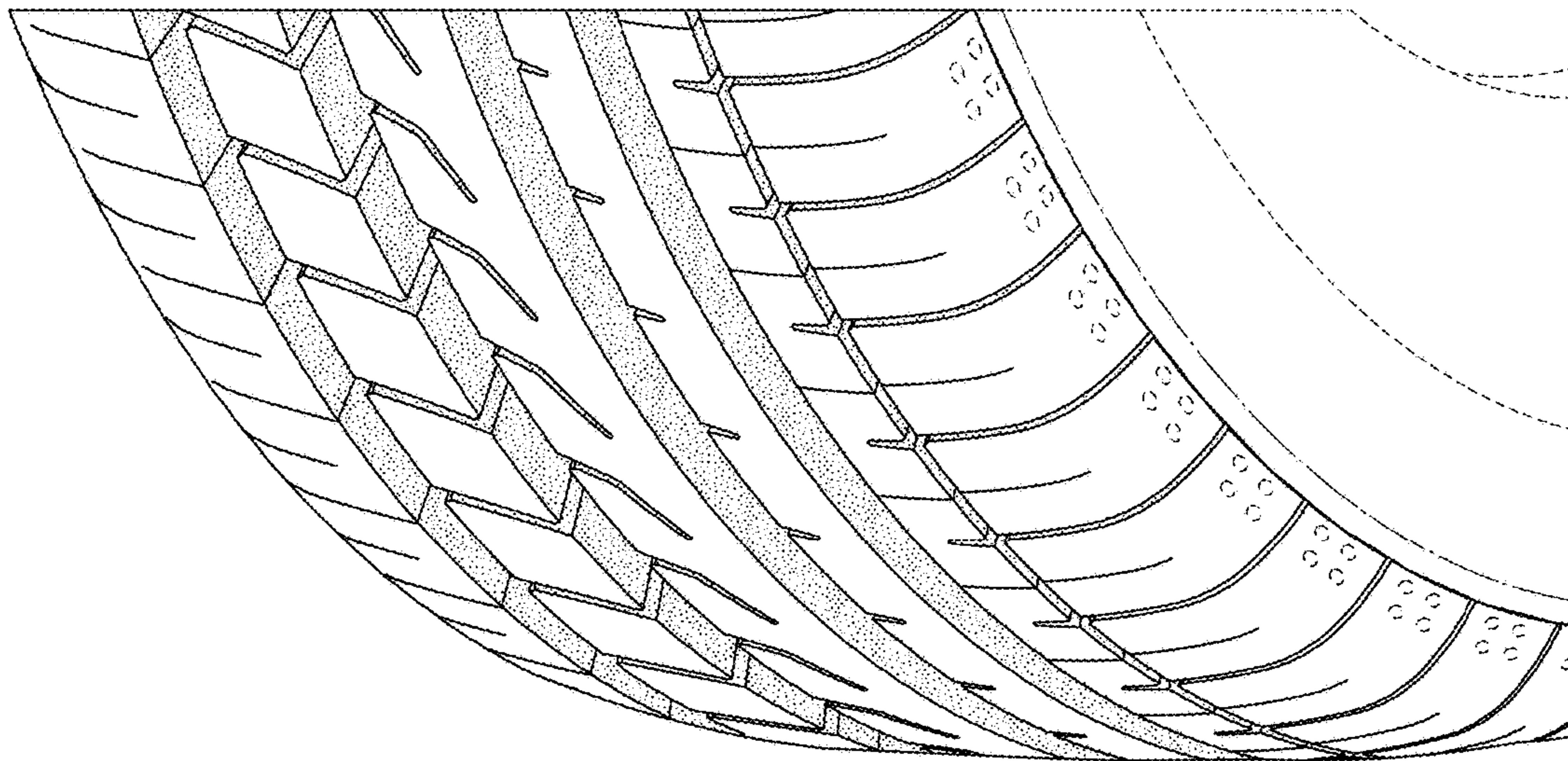


FIG. 9

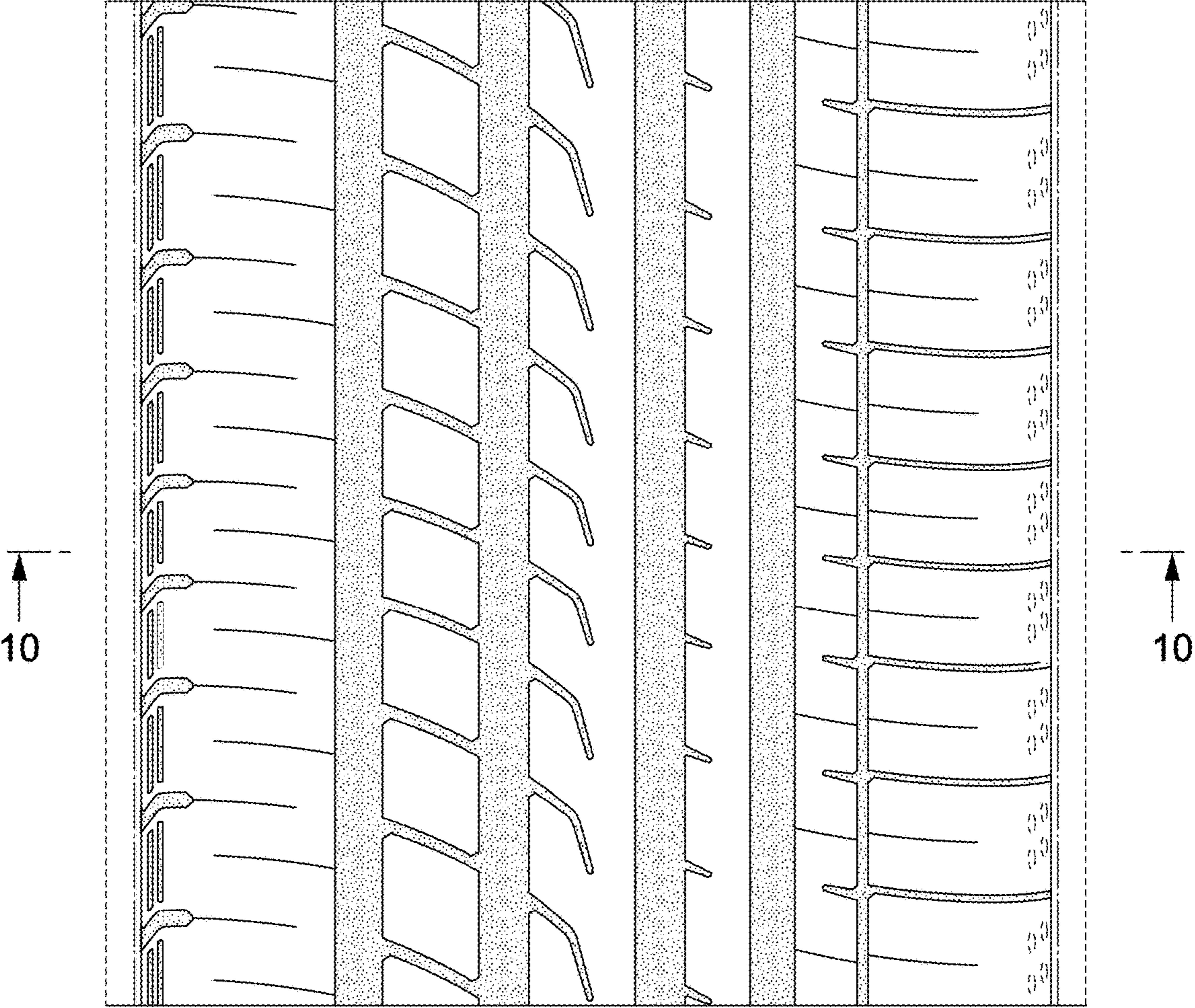


FIG. 10

