



US00D797035S

(12) **United States Design Patent**  
**Kang**

(10) **Patent No.:** **US D797,035 S**

(45) **Date of Patent:** **\*\* Sep. 12, 2017**

(54) **TIRE TREAD**

(71) Applicant: **Hankook Tire Co., Ltd.**, Seoul (KR)

(72) Inventor: **Seung Koo Kang**, Seoul (KR)

(73) Assignee: **HANKOOK TIRE CO., LTD.**, Seoul (KR)

(\*\*) Term: **15 Years**

(21) Appl. No.: **29/575,795**

(22) Filed: **Aug. 29, 2016**

(30) **Foreign Application Priority Data**

Apr. 12, 2016 (KR) ..... 30-2016-0017316

(51) **LOC (10) Cl.** ..... **12-15**

(52) **U.S. Cl.**  
USPC ..... **D12/521**

(58) **Field of Classification Search**  
USPC ..... D12/505, 519, 521-523, 531-532  
CPC ..... B60C 1/0016; B60C 3/06; B60C 9/17;  
B60C 11/0306; B60C 11/0302;  
B60C 11/11; B60C 2011/0346;  
B60C 2011/0365; B60C 2011/0369;  
B60C 2011/0381

See application file for complete search history.

(56) **References Cited**

**U.S. PATENT DOCUMENTS**

D771,551 S \* 11/2016 Lucas ..... D12/521  
D783,506 S \* 4/2017 Kossi ..... D12/521  
D786,176 S \* 5/2017 Colletti ..... D12/521

D786,774 S \* 5/2017 Sanae ..... D12/521  
2013/0061993 A1 \* 3/2013 Mathonet ..... B60C 11/042  
152/209.22  
2016/0303919 A1 \* 10/2016 Yamaoka ..... B60C 11/0332  
2017/0015144 A1 \* 1/2017 Ogihara ..... B60C 11/1307

\* cited by examiner

*Primary Examiner* — Barbara Fox

*Assistant Examiner* — Messina L Smith

(74) *Attorney, Agent, or Firm* — Hamre, Schumann,  
Mueller & Larson, P.C.

(57) **CLAIM**

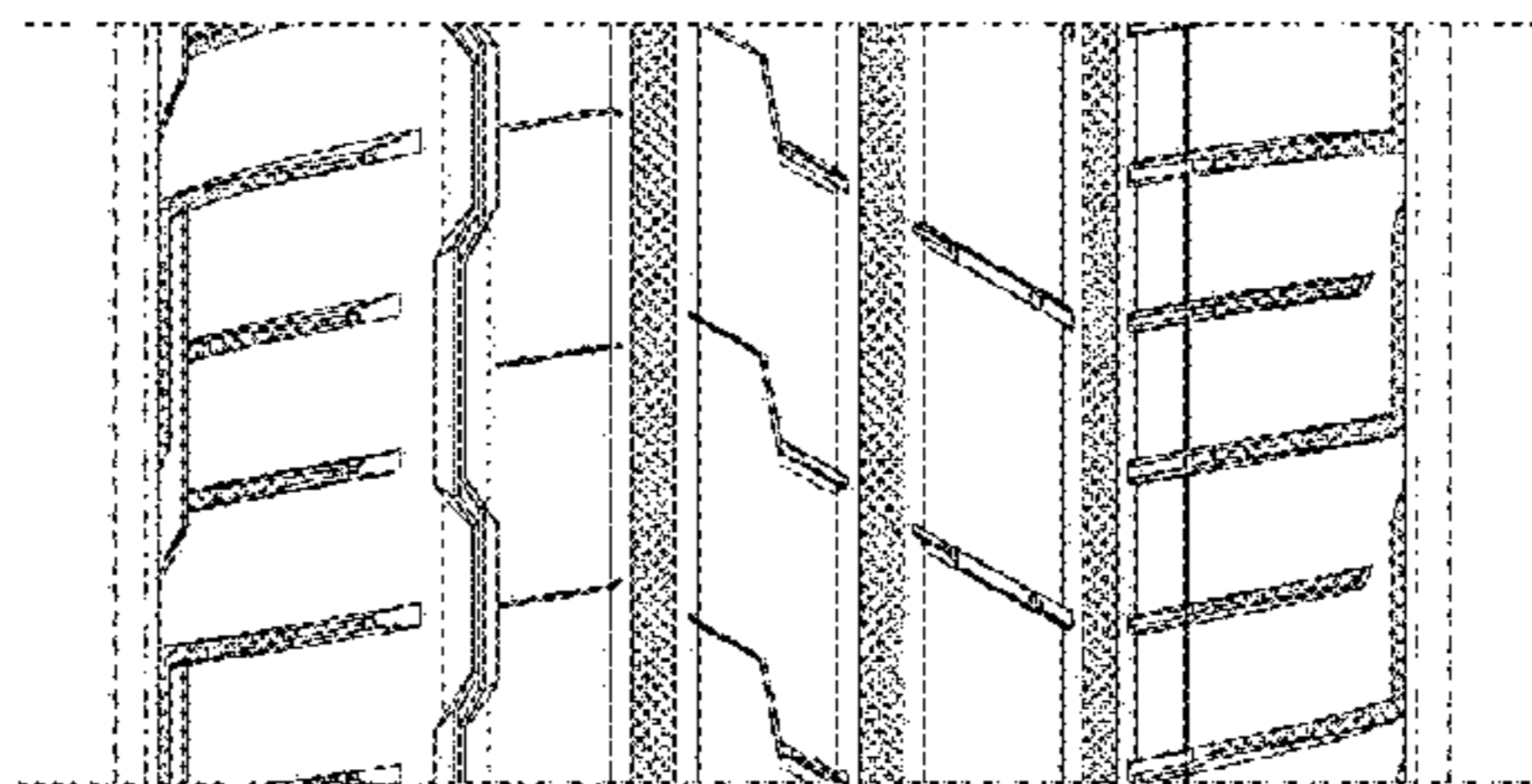
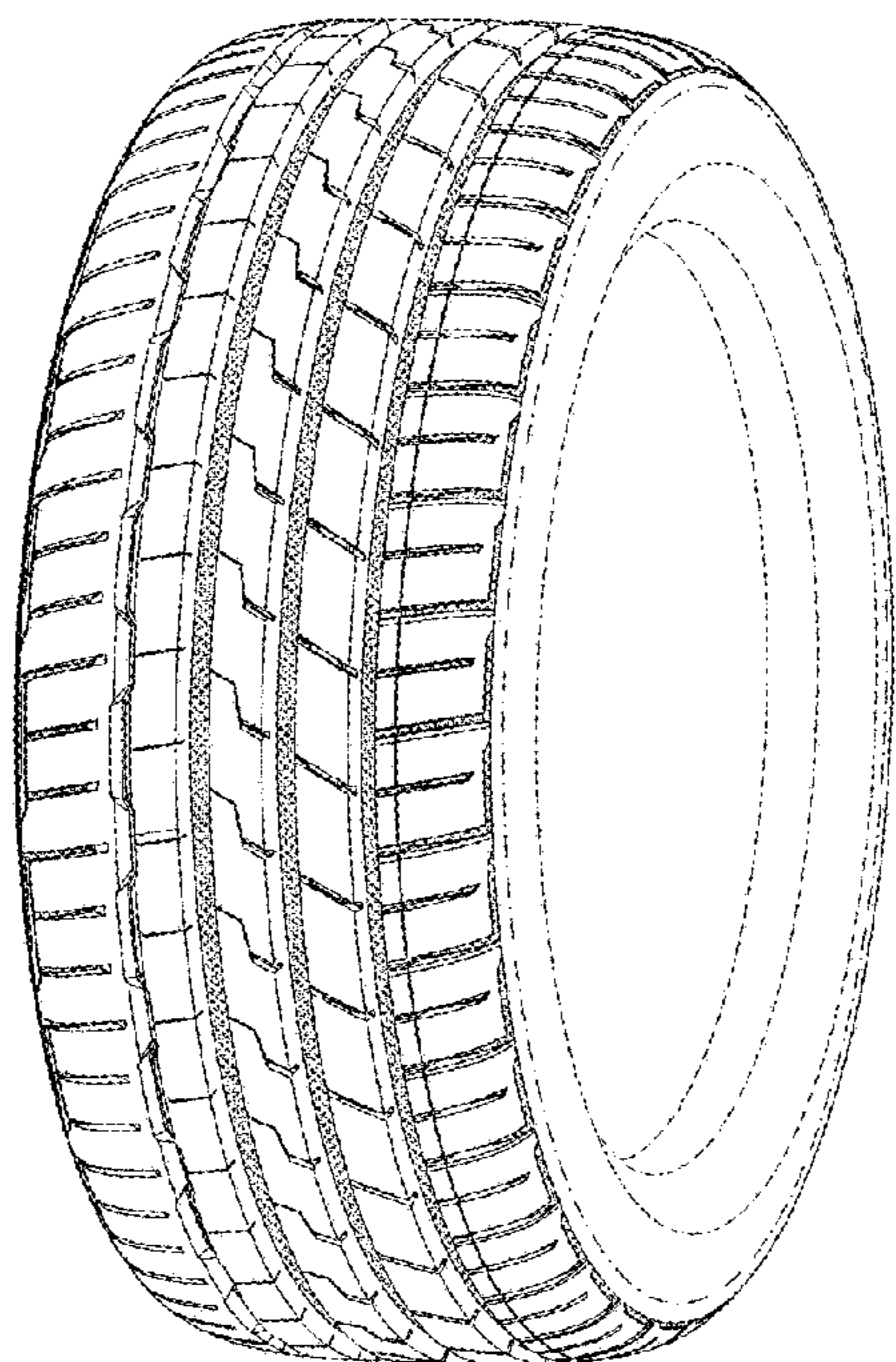
The ornamental design for a tire tread, as shown and described.

**DESCRIPTION**

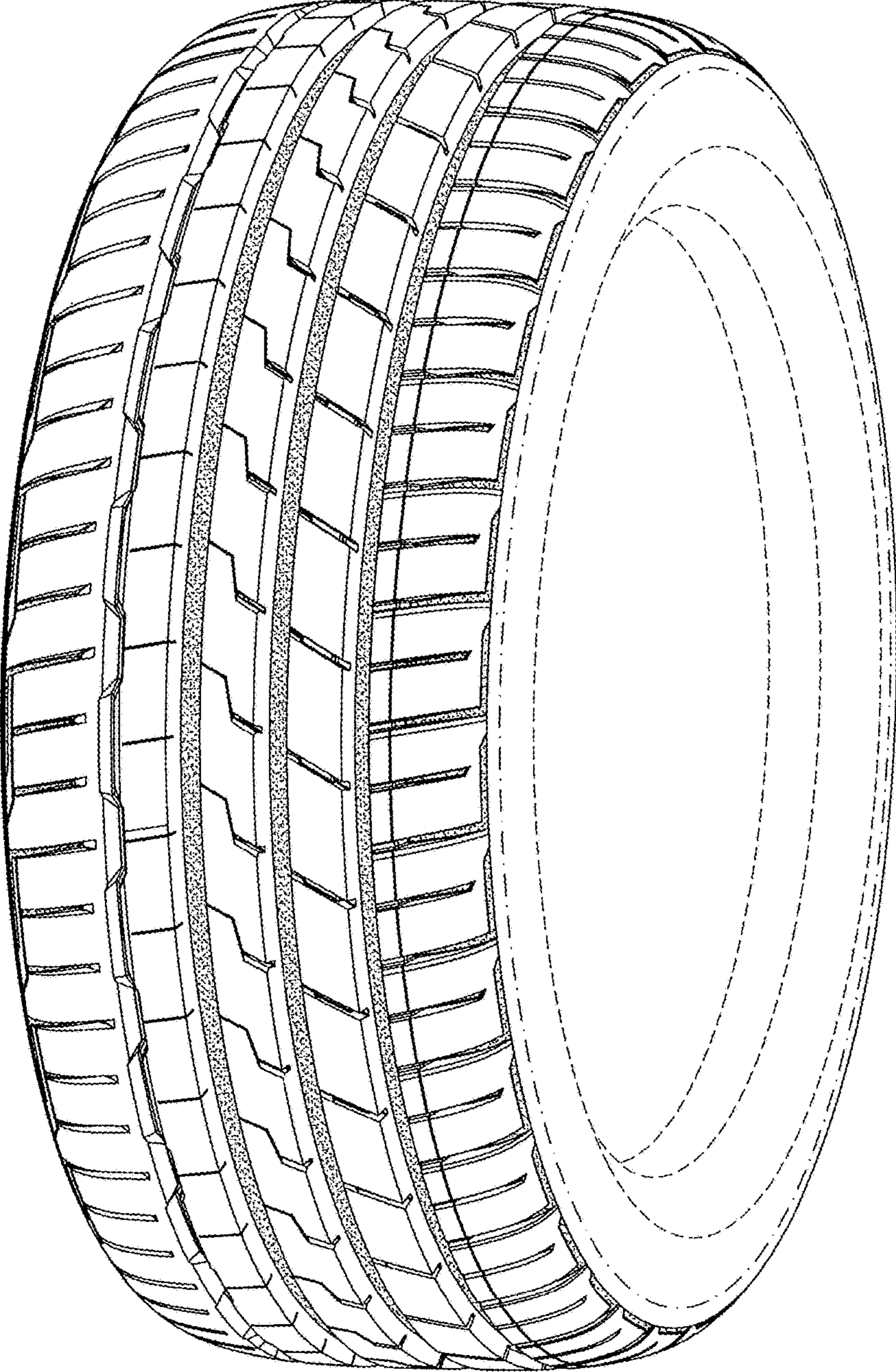
FIG. 1 is a perspective view of a tire tread showing my new design, it being understood that the pattern is repeated uniformly throughout the circumference of the tread; FIG. 2 is a front elevational view thereof; FIG. 3 is a rear elevational view thereof; FIG. 4 is a left side view thereof; FIG. 5 is a right side view thereof; FIG. 6 is a top plan view thereof; FIG. 7 is a bottom plan view thereof; and, FIG. 8 is an enlarged fragmentary view from upper 8-8 to lower 8-8 in FIG. 2.

The broken lines showing the sidewall and interior depict environment and forms no part of the claimed design. The dash-dot-dash broken lines define the boundary of the tire tread and form no part of the claimed design.

**1 Claim, 8 Drawing Sheets**

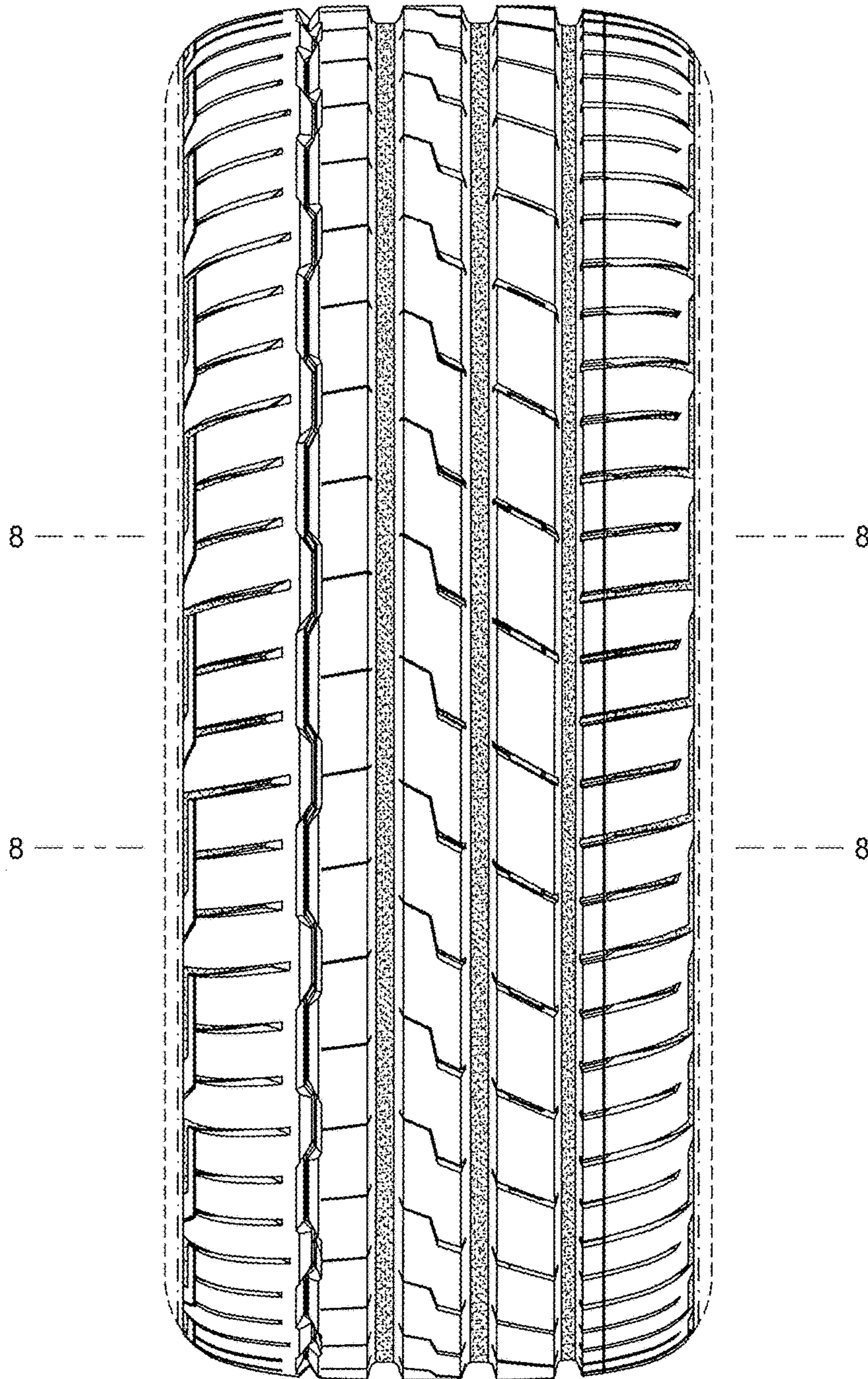


*Fig. 1*

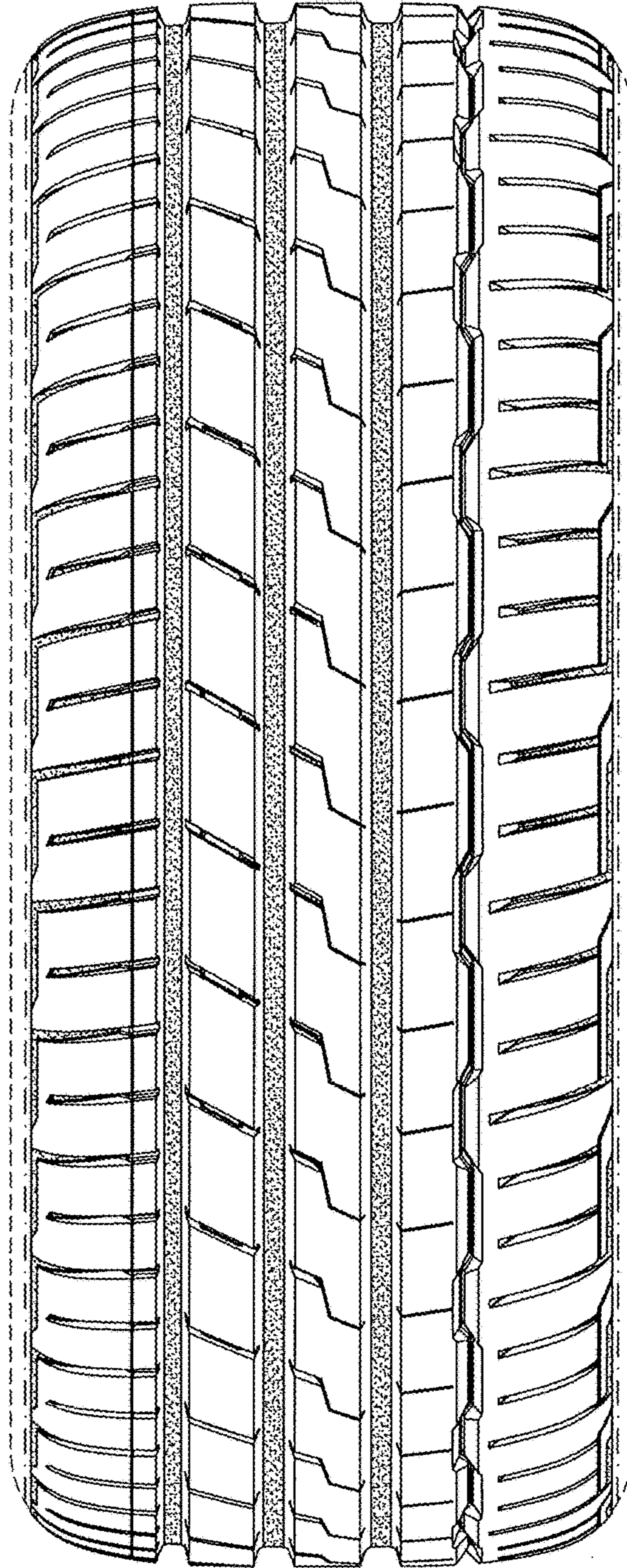




*Fig. 2*

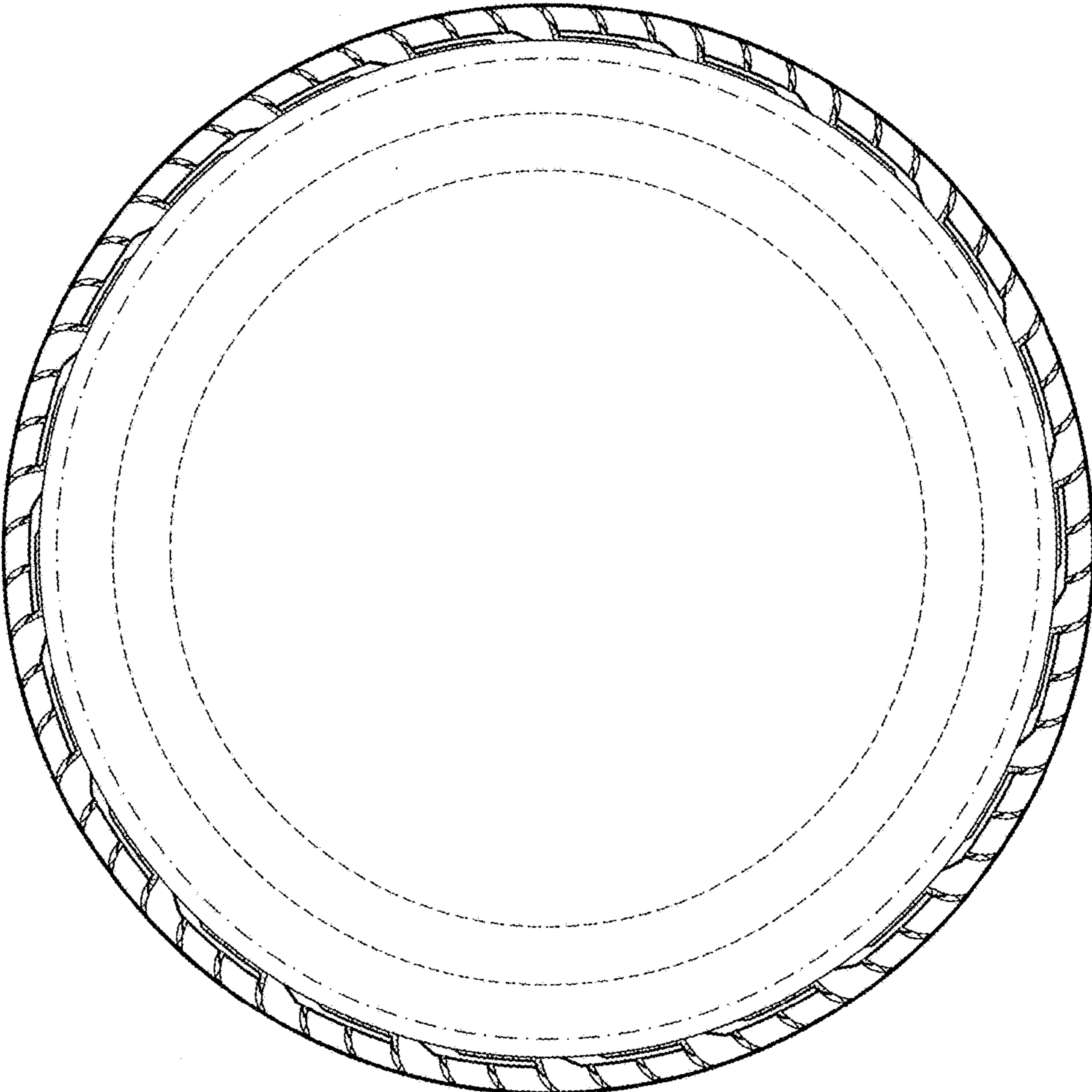


*Fig. 3*

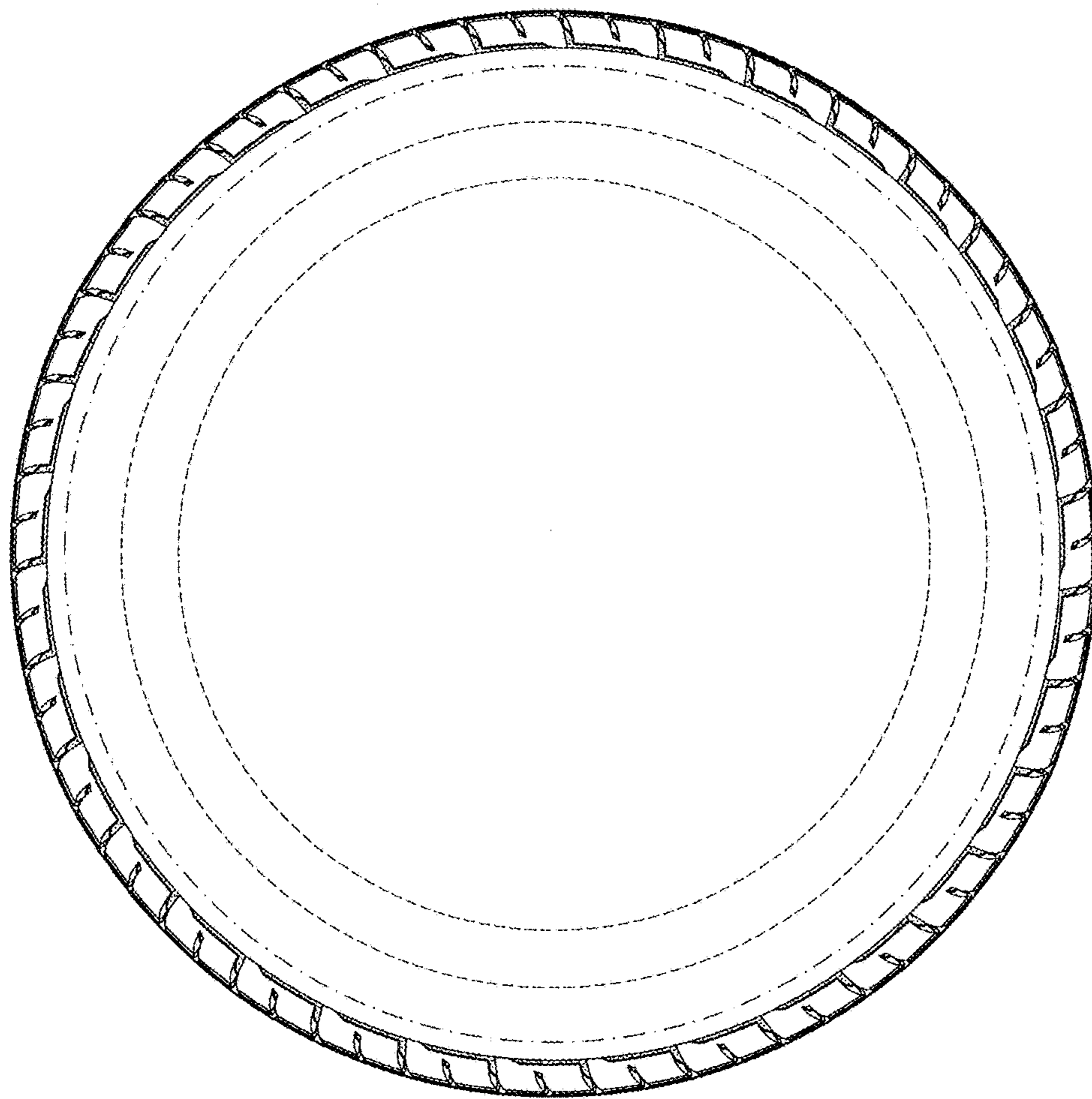




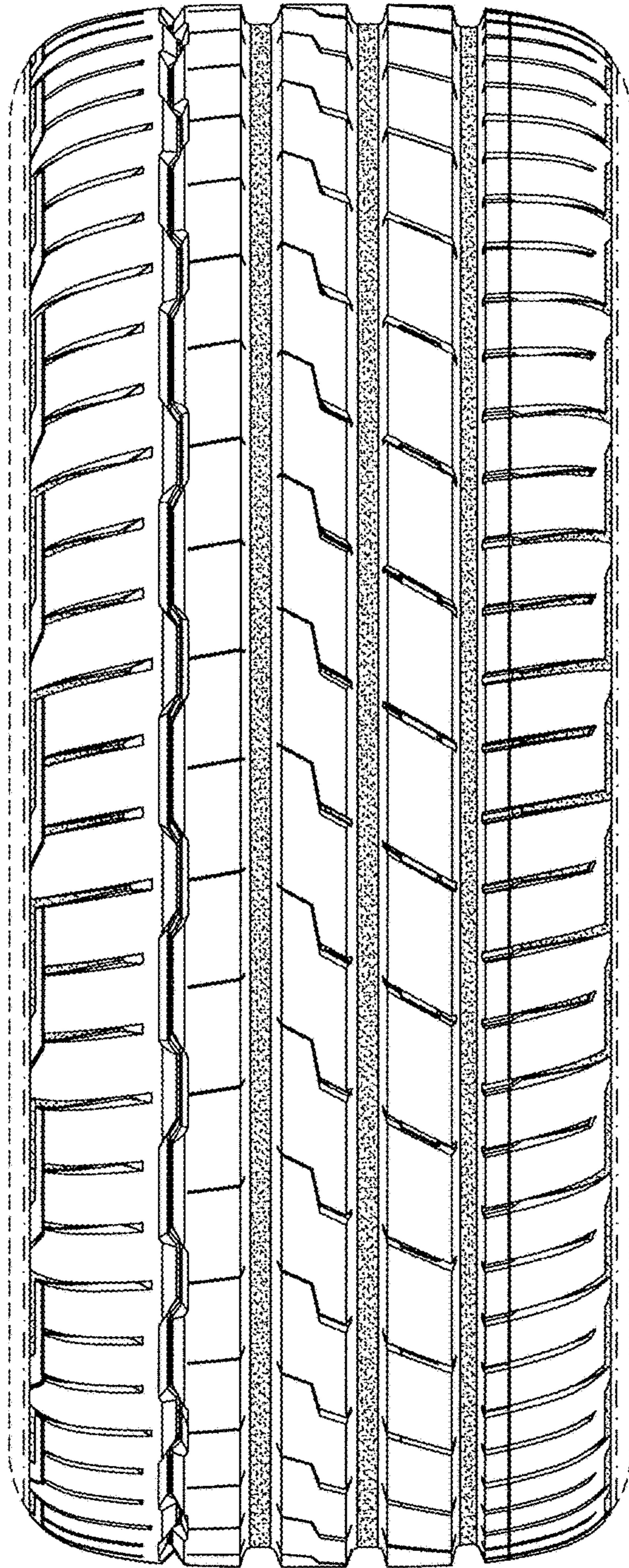
*Fig. 4*



*Fig. 5*

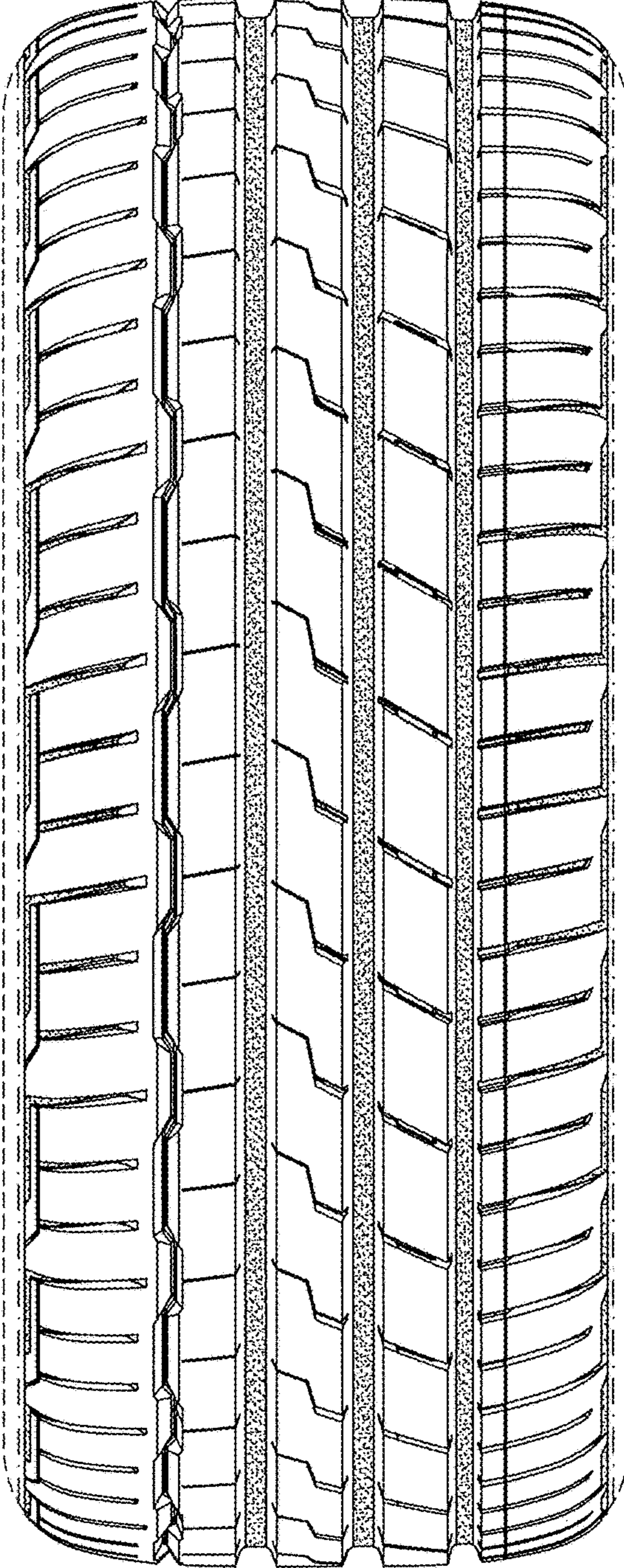


*Fig. 6*





*Fig. 7*





*Fig. 8*

