



US00D797033S

(12) **United States Design Patent**  
**Santiago**

(10) **Patent No.:** **US D797,033 S**  
(45) **Date of Patent:** **\*\* Sep. 12, 2017**

(54) **MOTORCYCLE TOWING DEVICE**

(71) Applicant: **Enrique Santiago**, Pembroke Pines, FL  
(US)

(72) Inventor: **Enrique Santiago**, Pembroke Pines, FL  
(US)

(\*\*) Term: **15 Years**

(21) Appl. No.: **29/545,863**

(22) Filed: **Nov. 17, 2015**

(51) **LOC (10) Cl.** ..... **12-16**

(52) **U.S. Cl.**  
USPC ..... **D12/408**

(58) **Field of Classification Search**  
USPC ..... D12/115, 120, 162, 406-408, 412  
CPC ... B60R 9/06; B60R 9/10; B60P 3/077; B60P  
3/125  
See application file for complete search history.

(56) **References Cited**

U.S. PATENT DOCUMENTS

- 3,776,572 A \* 12/1973 Bane ..... B60R 9/10  
254/131
- 4,111,449 A \* 9/1978 Hancock ..... B60P 3/125  
280/292
- 5,145,308 A \* 9/1992 Vaughn ..... B60P 3/125  
280/402
- 5,366,338 A \* 11/1994 Mortensen ..... B60P 3/07  
224/924
- 5,560,628 A \* 10/1996 Horn ..... B60P 3/125  
280/402
- 5,620,197 A \* 4/1997 Howes ..... B60R 9/06  
280/402
- 5,647,719 A \* 7/1997 Bowlen ..... B60P 3/122  
224/495
- 5,674,044 A \* 10/1997 Ranes ..... B60P 3/125  
280/402
- 5,906,386 A \* 5/1999 Baker ..... B60P 3/07  
280/402

- 5,938,226 A \* 8/1999 Transchel ..... B60P 3/07  
280/402
- D440,934 S \* 4/2001 Cataldo ..... D12/408
- 6,244,813 B1 \* 6/2001 Cataldo ..... B60P 3/125  
224/521

(Continued)

*Primary Examiner* — Darlington Ly

(74) *Attorney, Agent, or Firm* — Nancy J. Flint, Esq.;  
Nancy J. Flint, Attorney At Law, P.A.

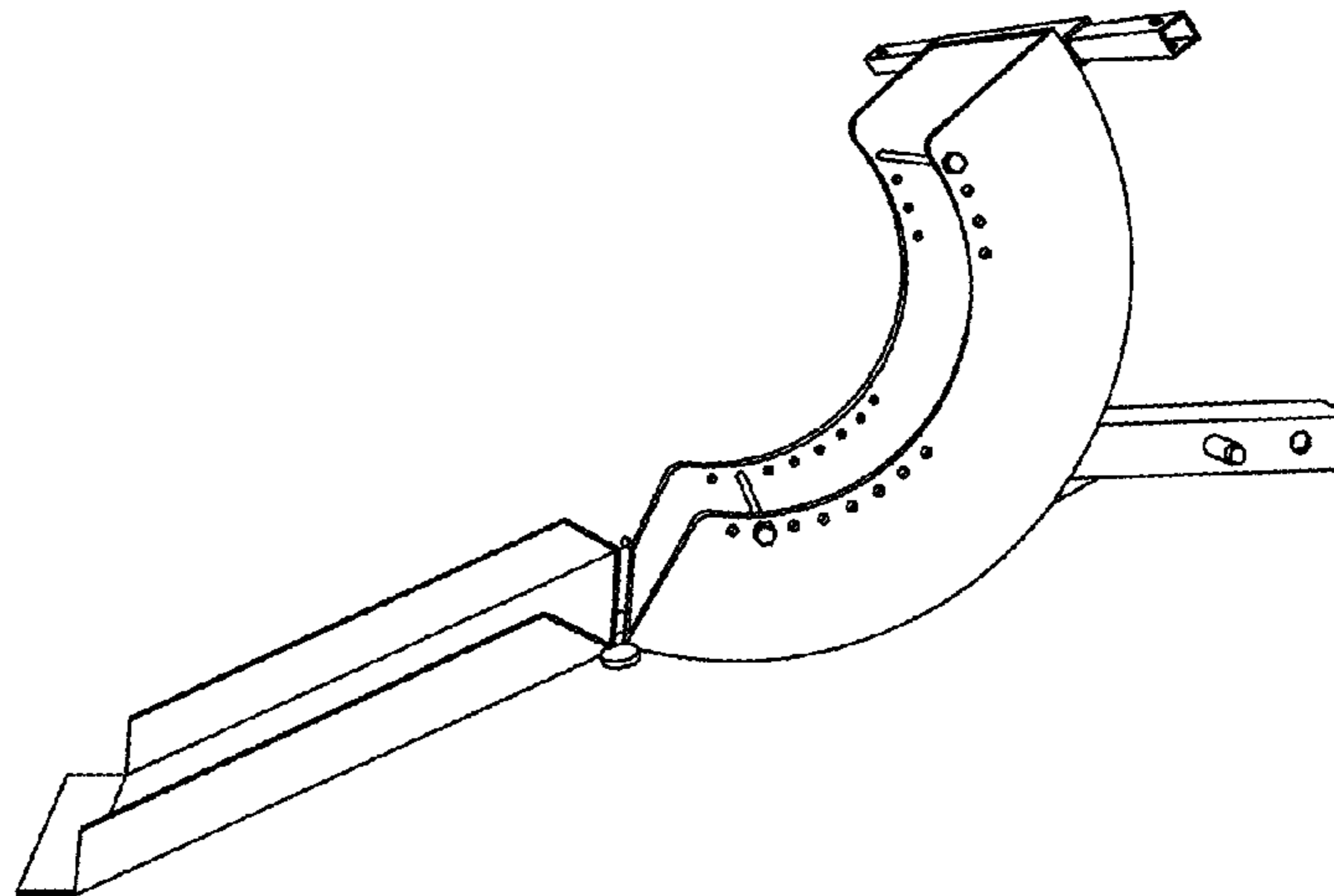
(57) **CLAIM**

The ornamental design for a motorcycle towing device, as shown and described.

**DESCRIPTION**

FIG. 1 is a top and right side perspective view of a motorcycle towing device showing my new design;  
 FIG. 2 is a top plan view thereof;  
 FIG. 3 is a right side elevation view thereof;  
 FIG. 4 is a bottom plan view thereof;  
 FIG. 5 is a left side elevation view thereof;  
 FIG. 6 is a rear elevation view thereof;  
 FIG. 7 is a front elevation view thereof;  
 FIG. 8 is a top and right side perspective view of a motorcycle towing device showing my new design in accordance to an alternate embodiment;  
 FIG. 9 is a top plan view thereof;  
 FIG. 10 is a right side elevation view thereof;  
 FIG. 11 is a bottom plan view thereof;  
 FIG. 12 is a left side elevation view thereof;  
 FIG. 13 is a rear elevation view thereof;  
 FIG. 14 is a front elevation view thereof; and,  
 FIG. 15 is a right side elevation view of the first and second embodiments with a motorcycle loaded on the device for towing.  
 The broken lines showing a motorcycle, rear portion of a motor vehicle, and ground line are provided for the purposes of illustrating environmental structure and form no part of the claimed design.

**1 Claim, 7 Drawing Sheets**



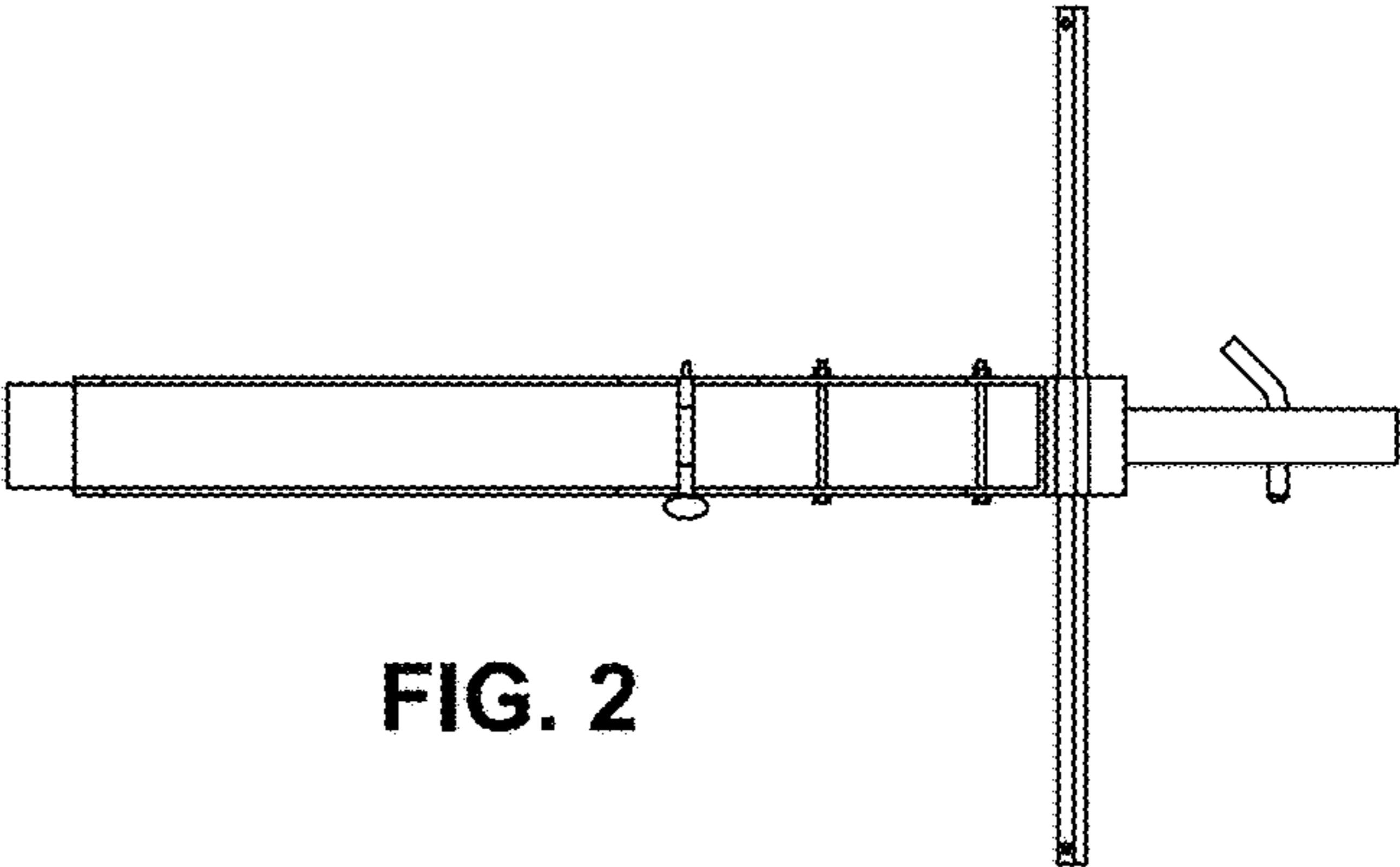
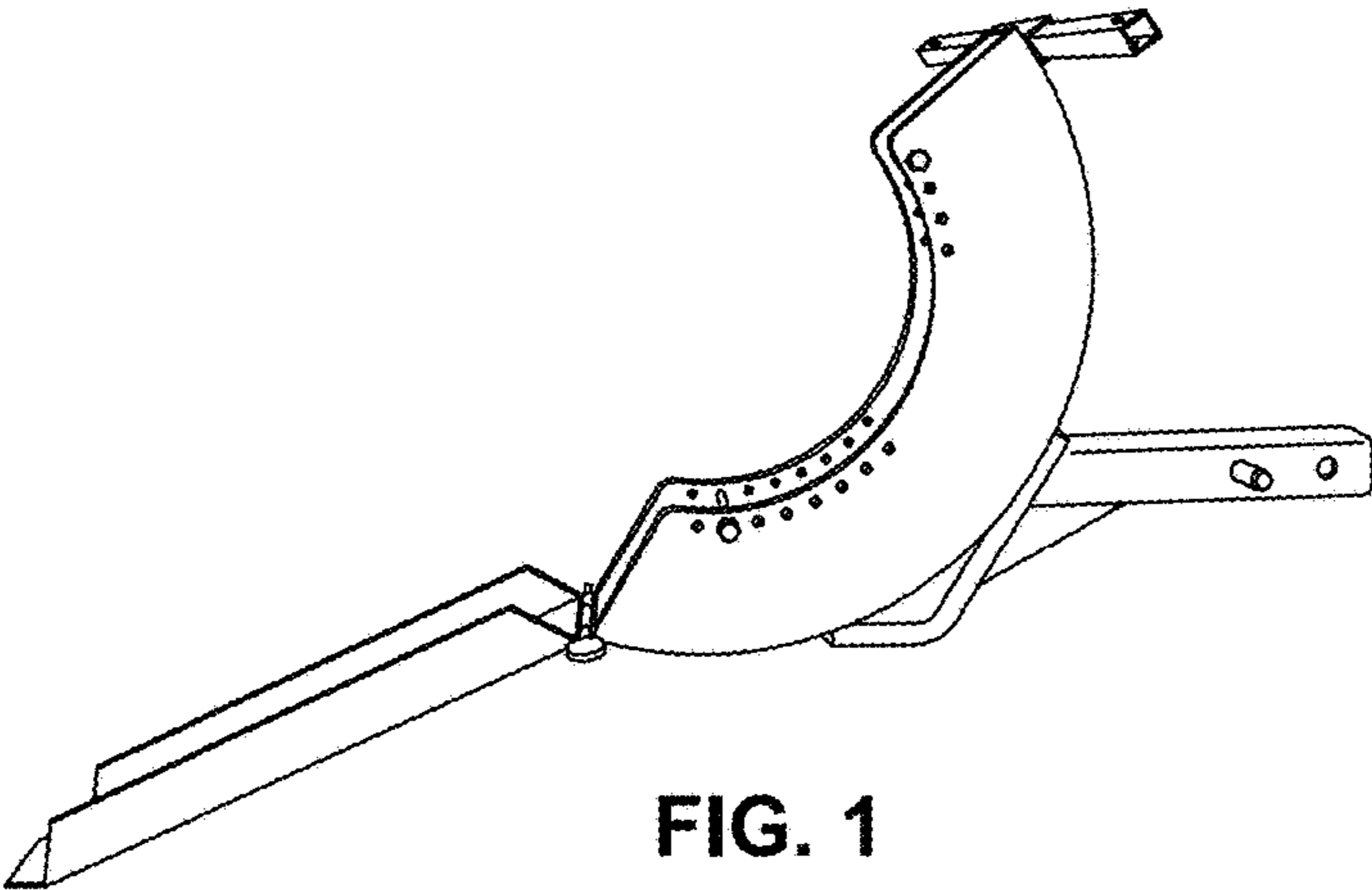
(56)

**References Cited**

U.S. PATENT DOCUMENTS

D444,434 S \* 7/2001 Appleton ..... D12/162  
6,352,401 B1 \* 3/2002 LeMay ..... B60P 3/125  
280/402  
D528,966 S \* 9/2006 Ezra ..... D12/408  
D548,670 S \* 8/2007 Ezra ..... D12/406  
D584,195 S \* 1/2009 Collier ..... D12/162  
7,537,234 B2 \* 5/2009 McClellan ..... B60P 3/077  
280/402  
7,704,034 B1 \* 4/2010 Quigley, III ..... B60P 3/125  
280/402  
8,075,012 B1 \* 12/2011 Perez ..... B60P 3/125  
280/402  
8,602,437 B1 \* 12/2013 Morris ..... B60R 9/10  
280/402  
D714,715 S \* 10/2014 Russell ..... D12/406  
9,539,951 B1 \* 1/2017 Levi ..... B60P 3/125

\* cited by examiner



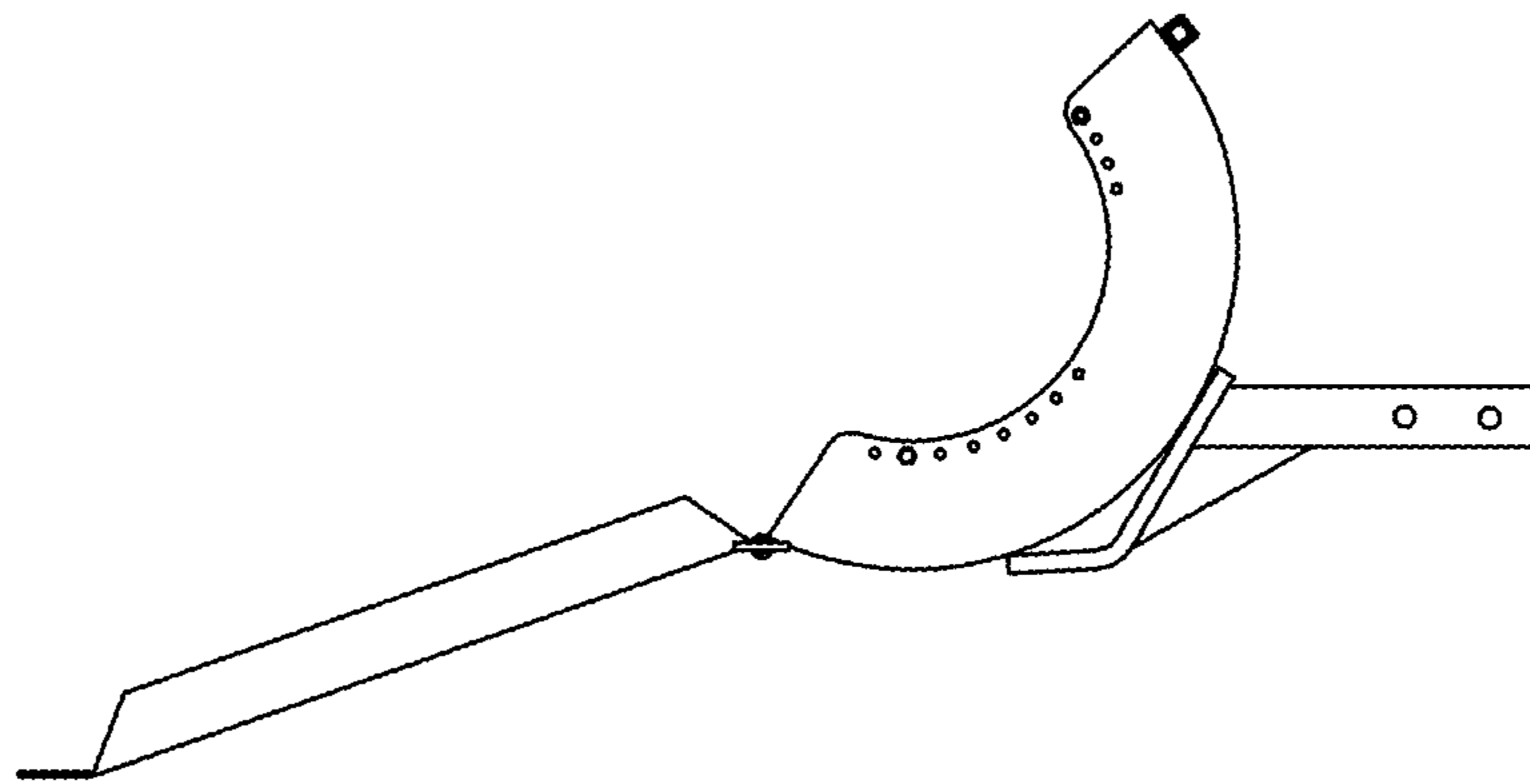


FIG. 3

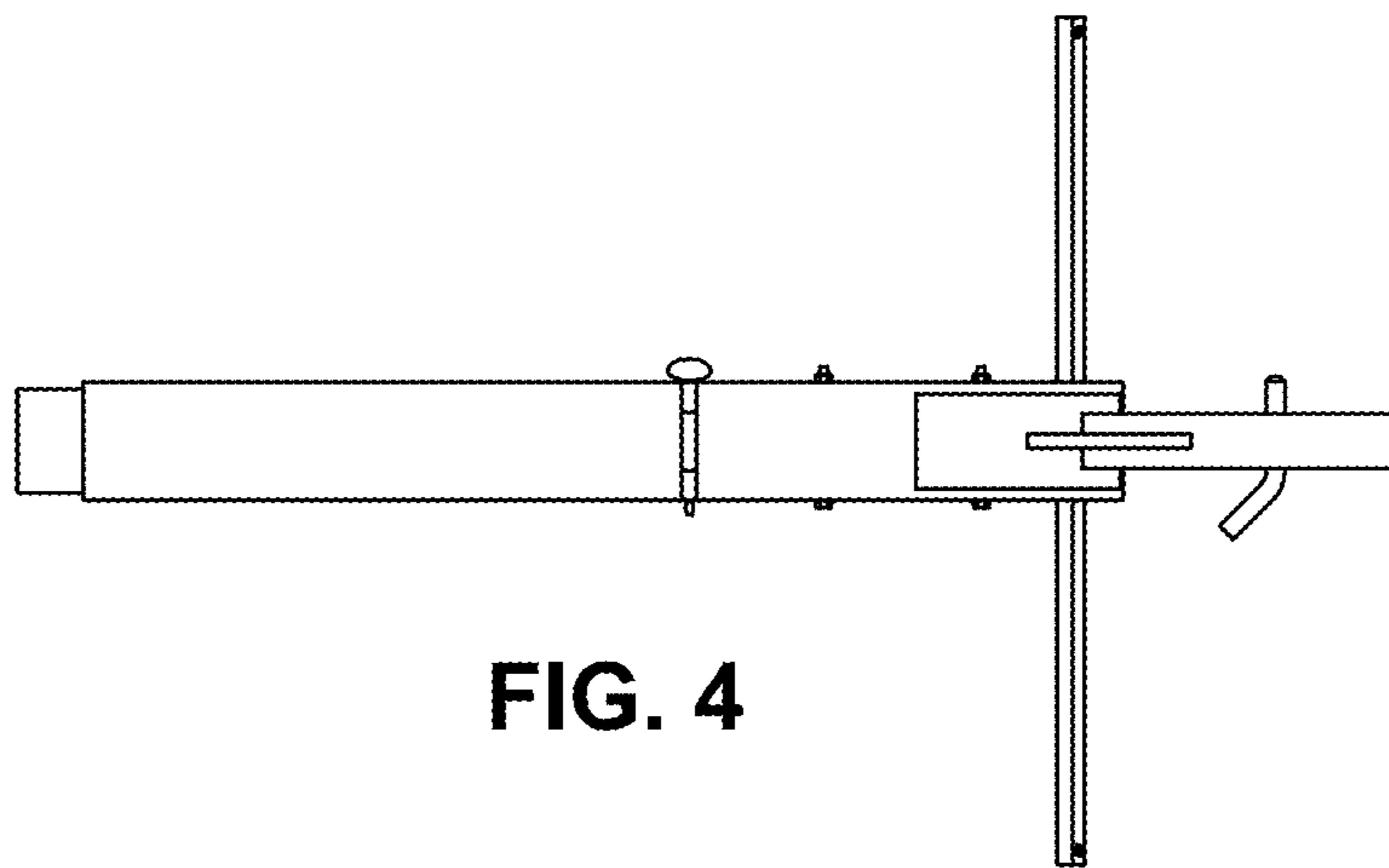


FIG. 4

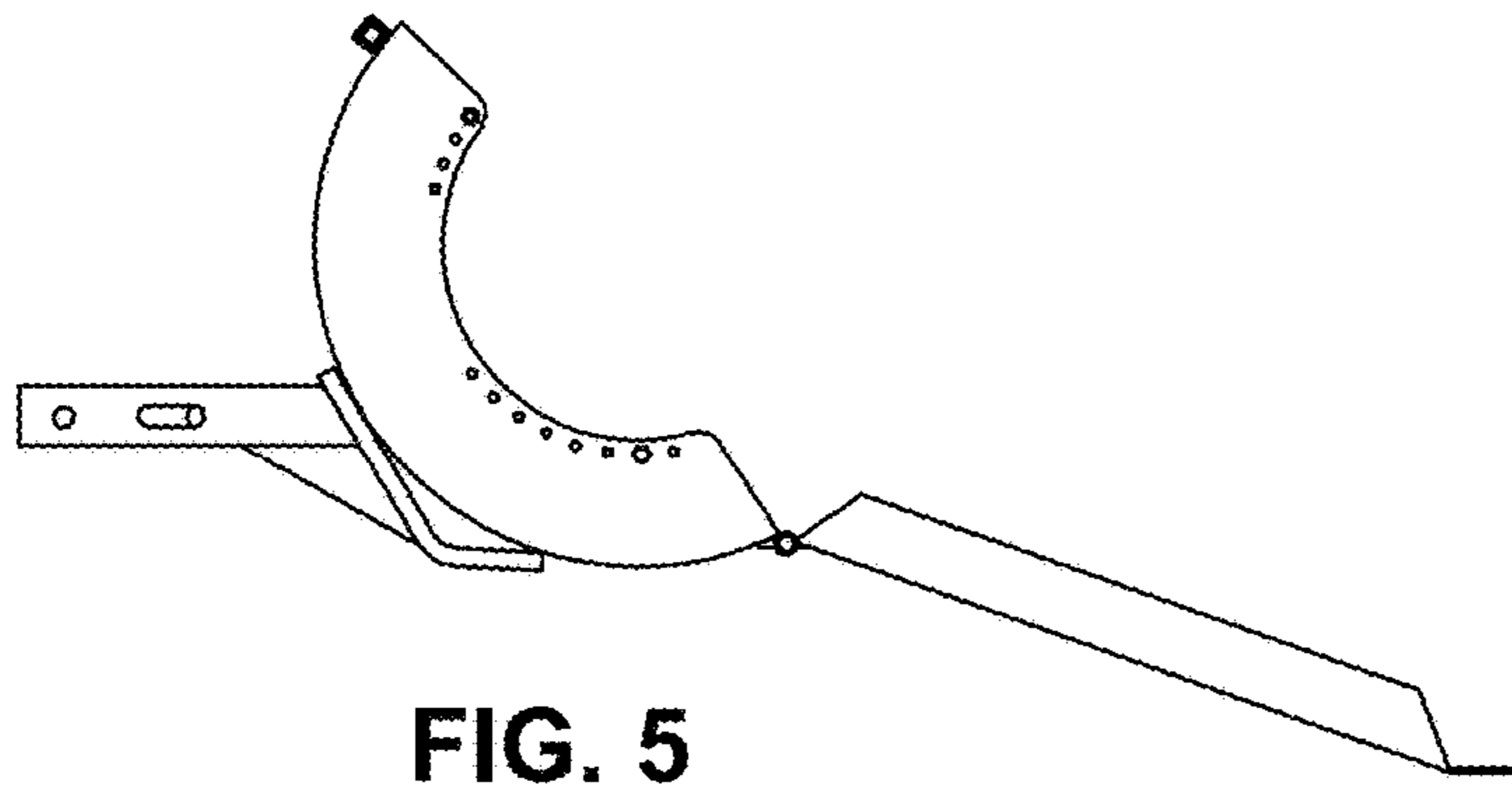


FIG. 5

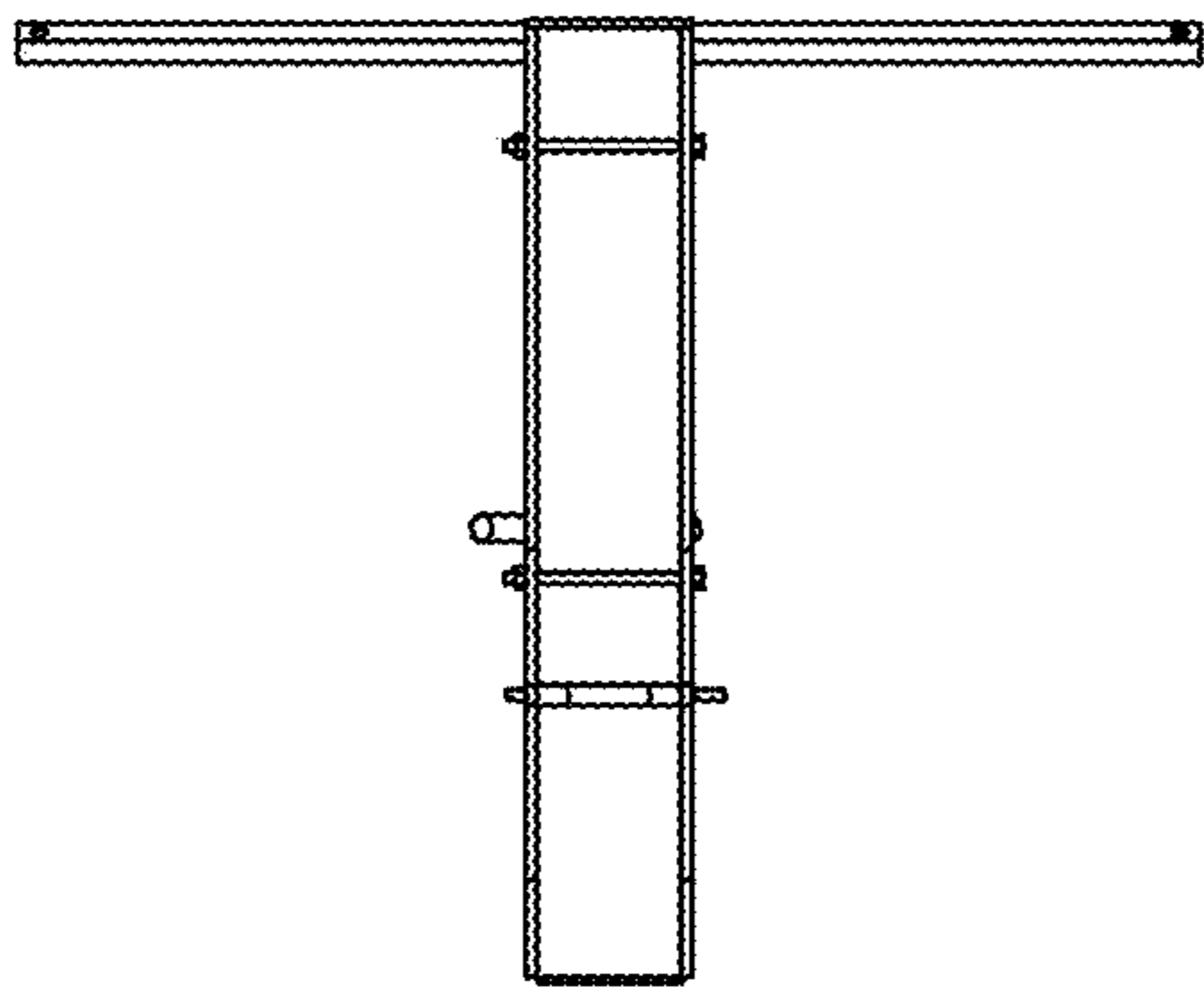


FIG. 6

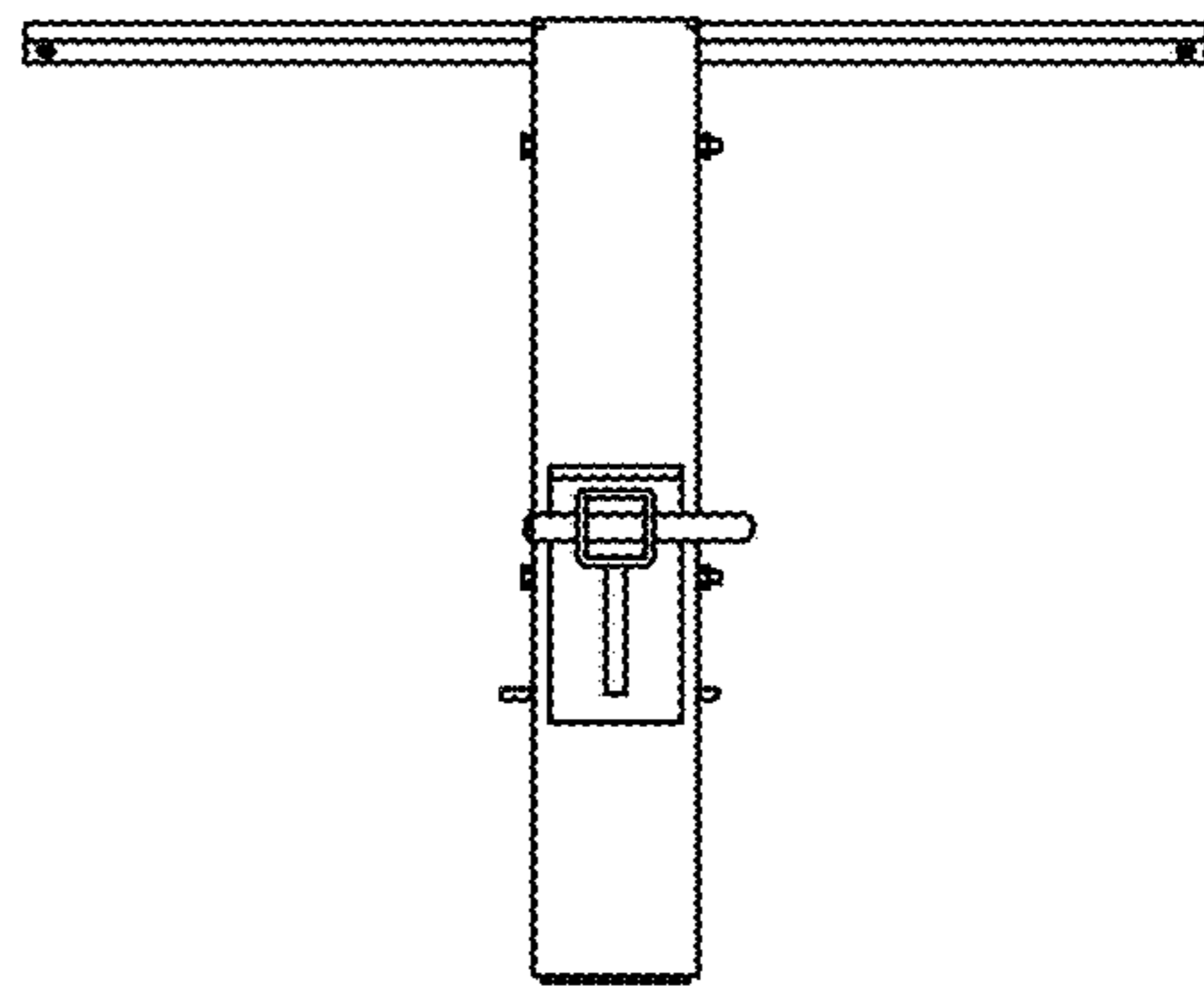


FIG. 7

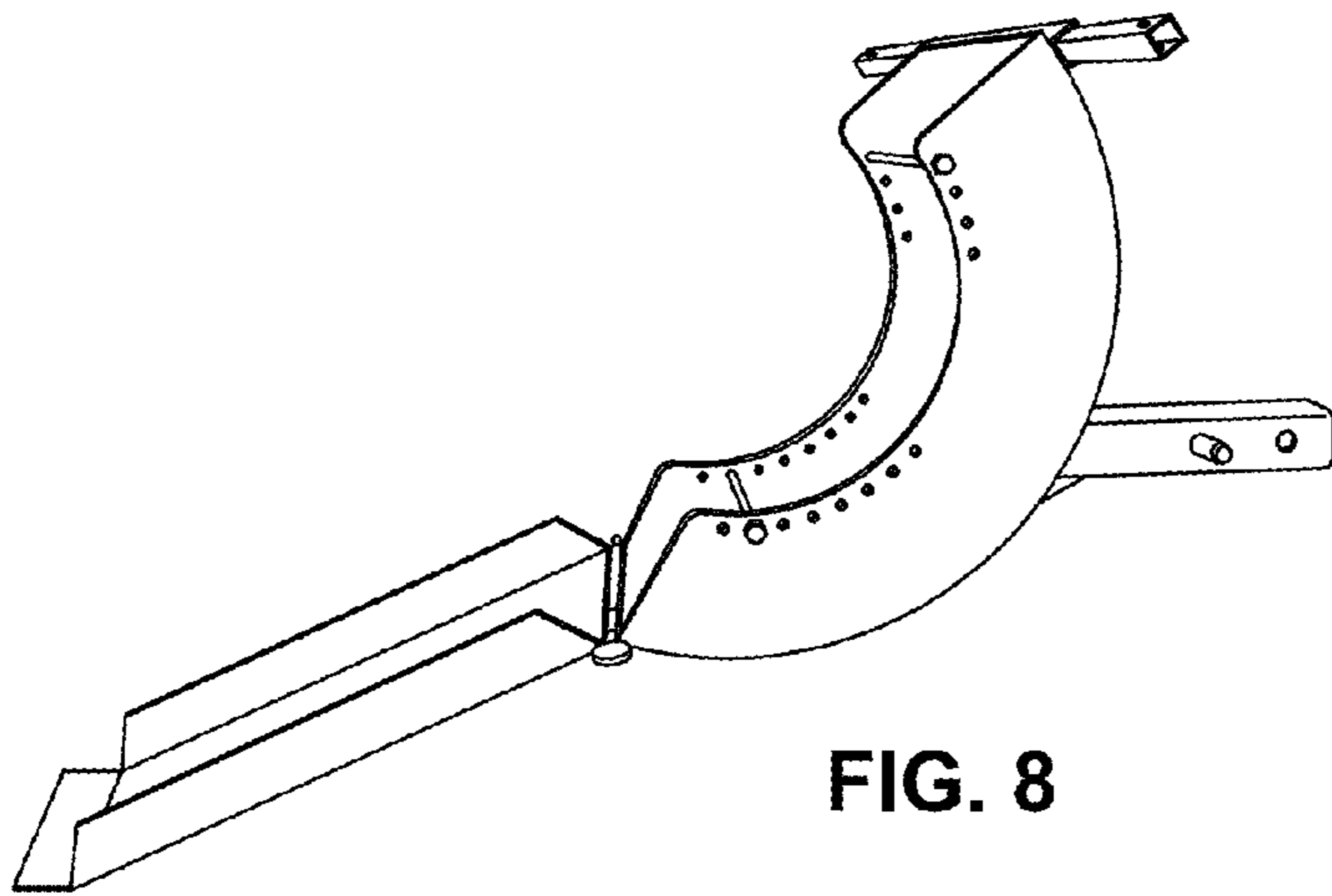


FIG. 8

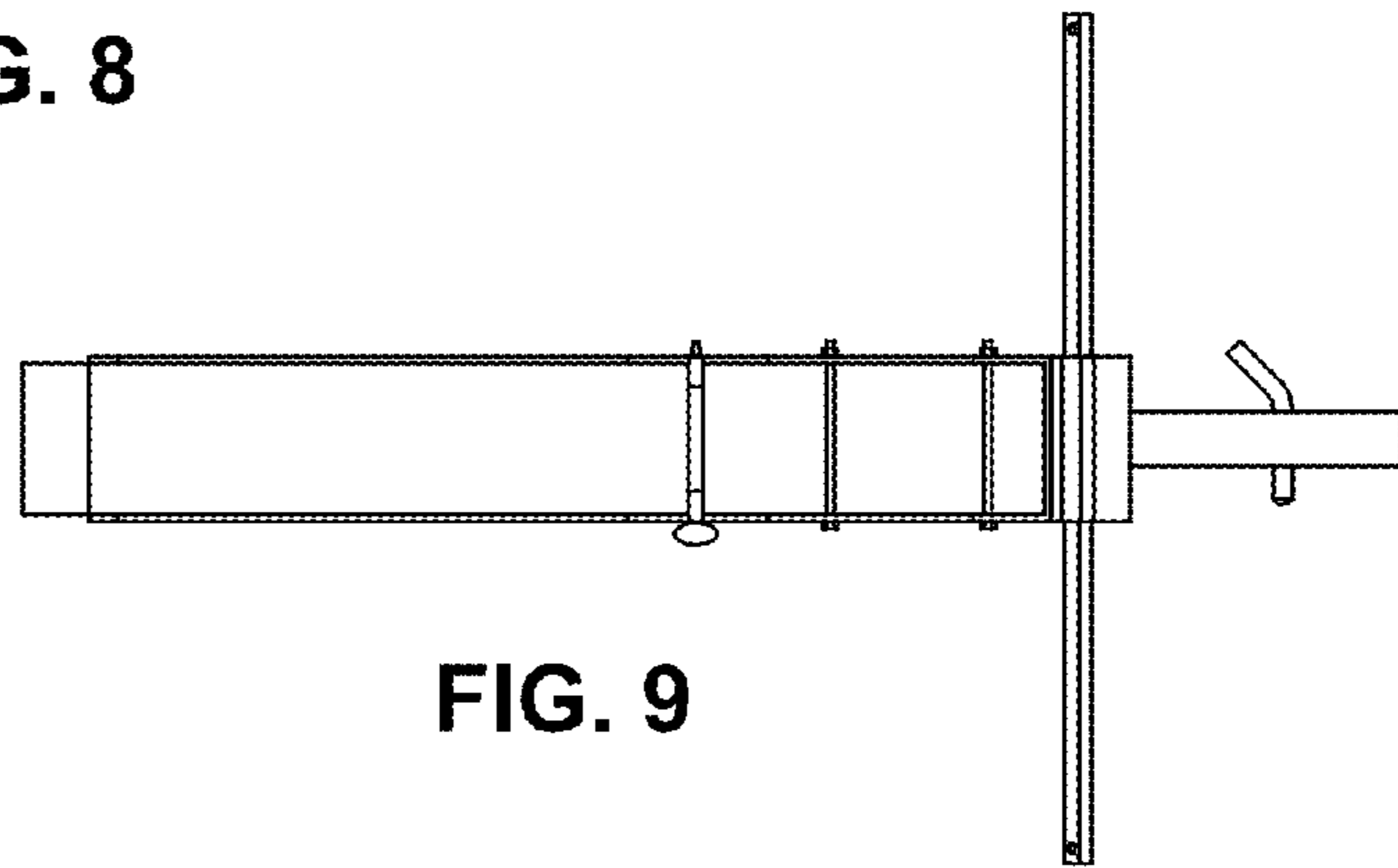


FIG. 9

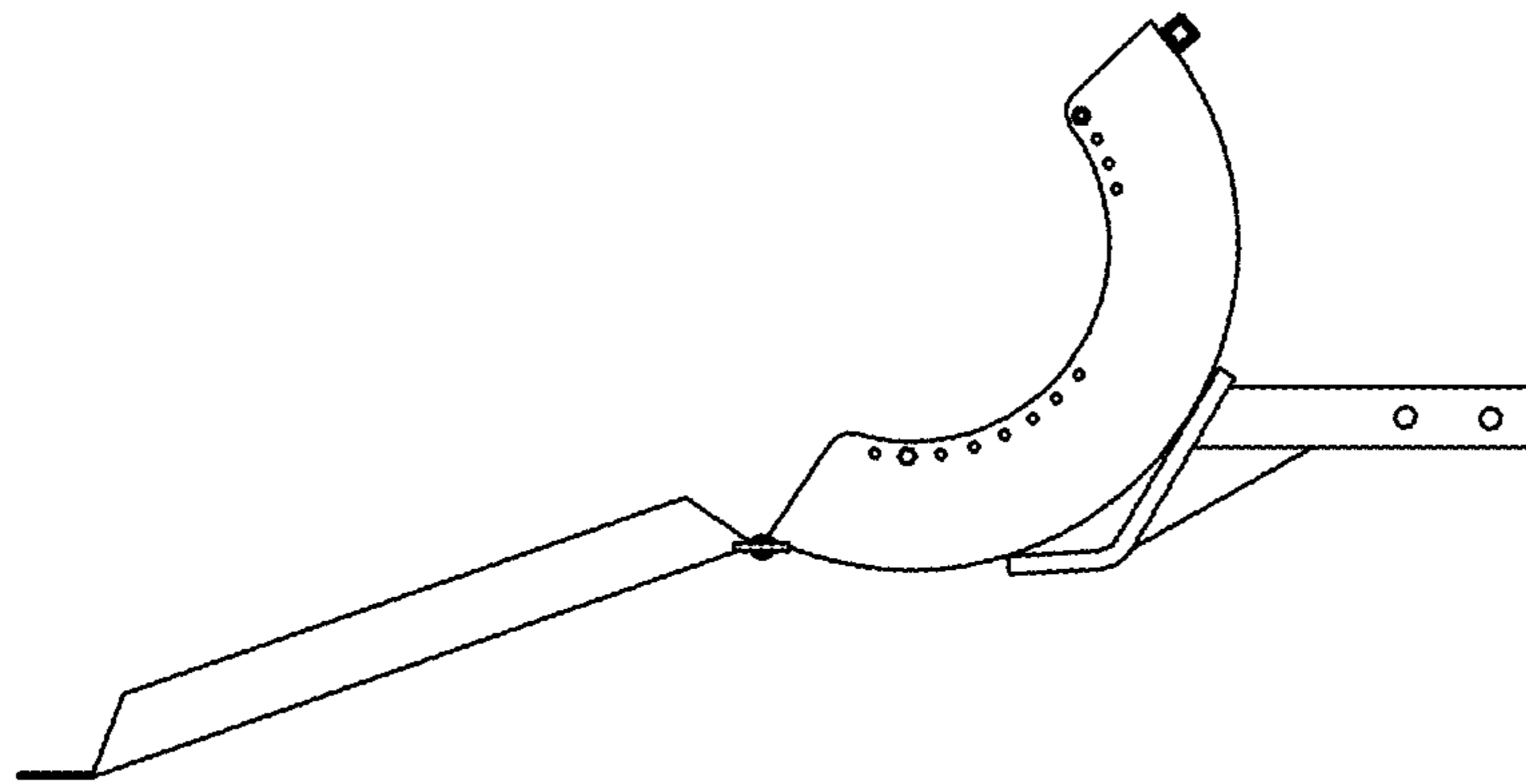


FIG. 10

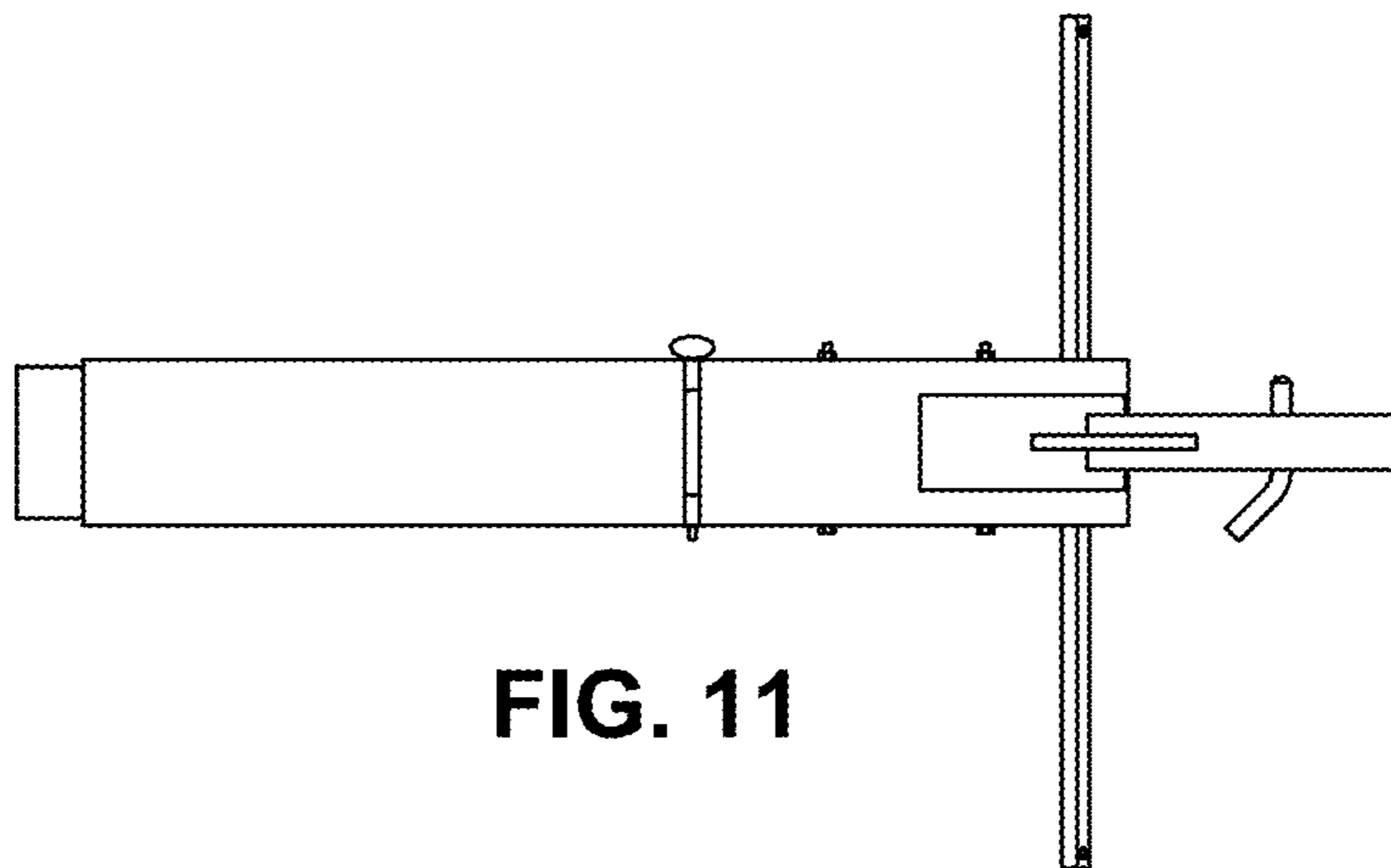


FIG. 11

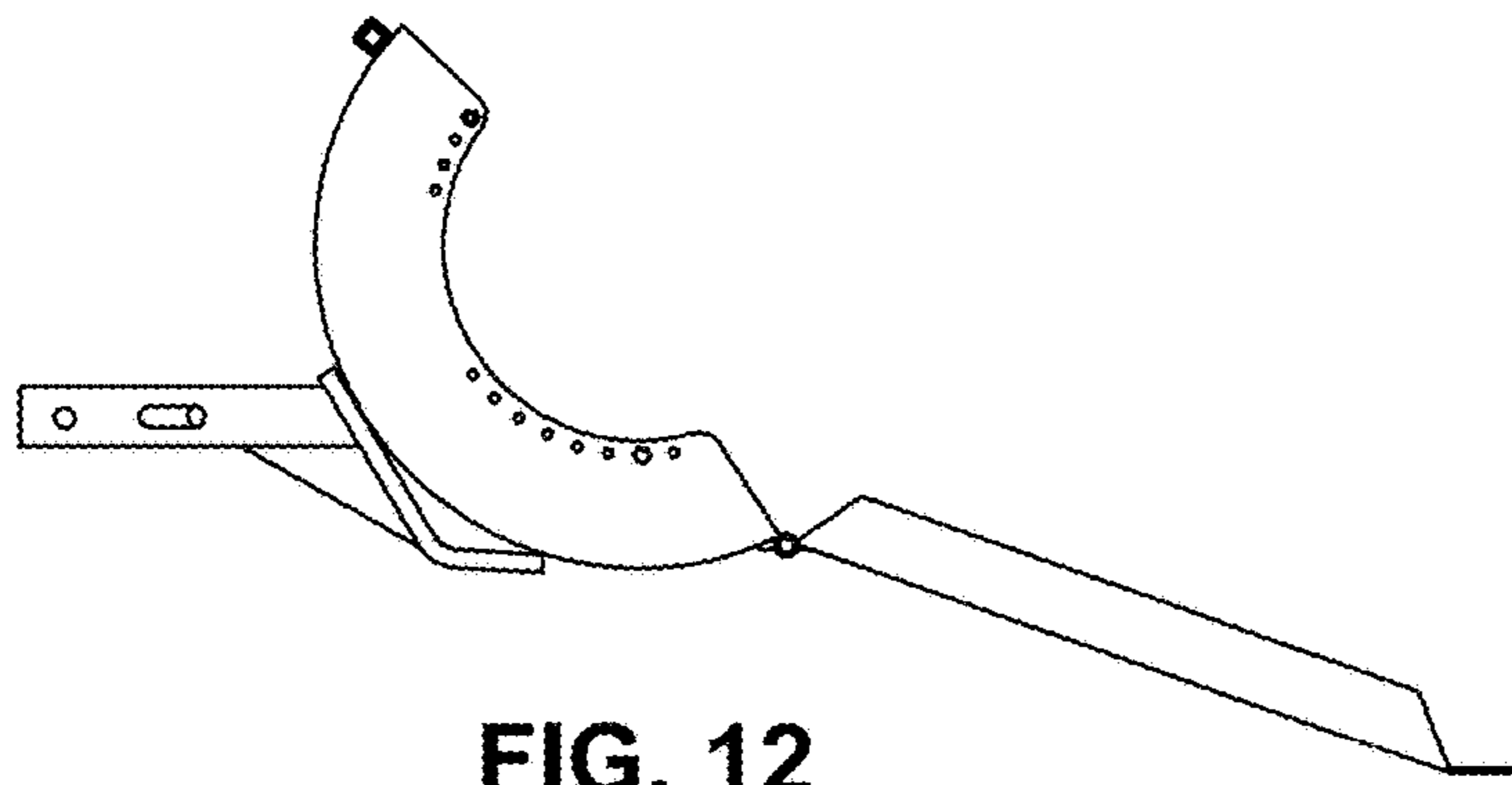


FIG. 12

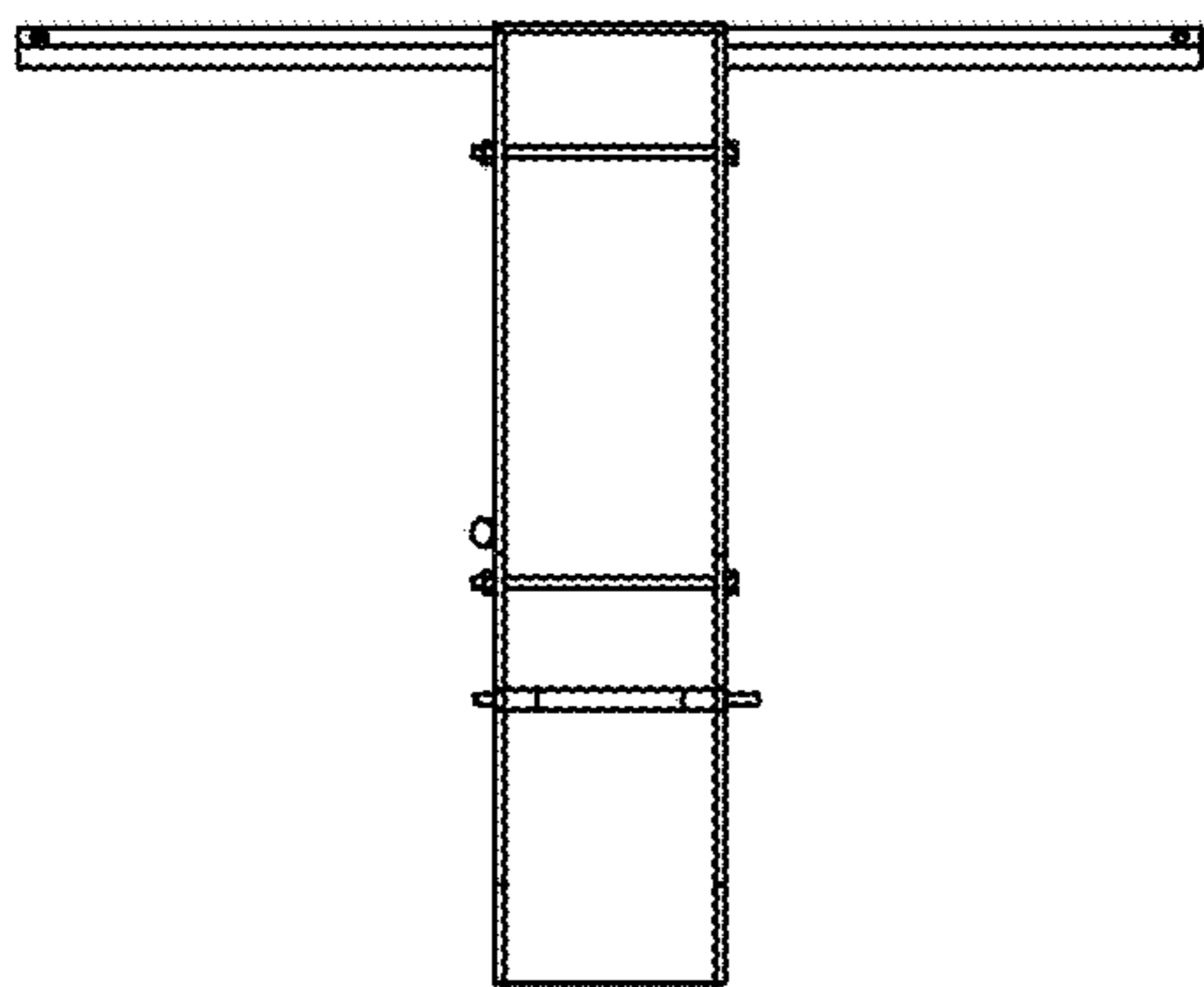


FIG. 13

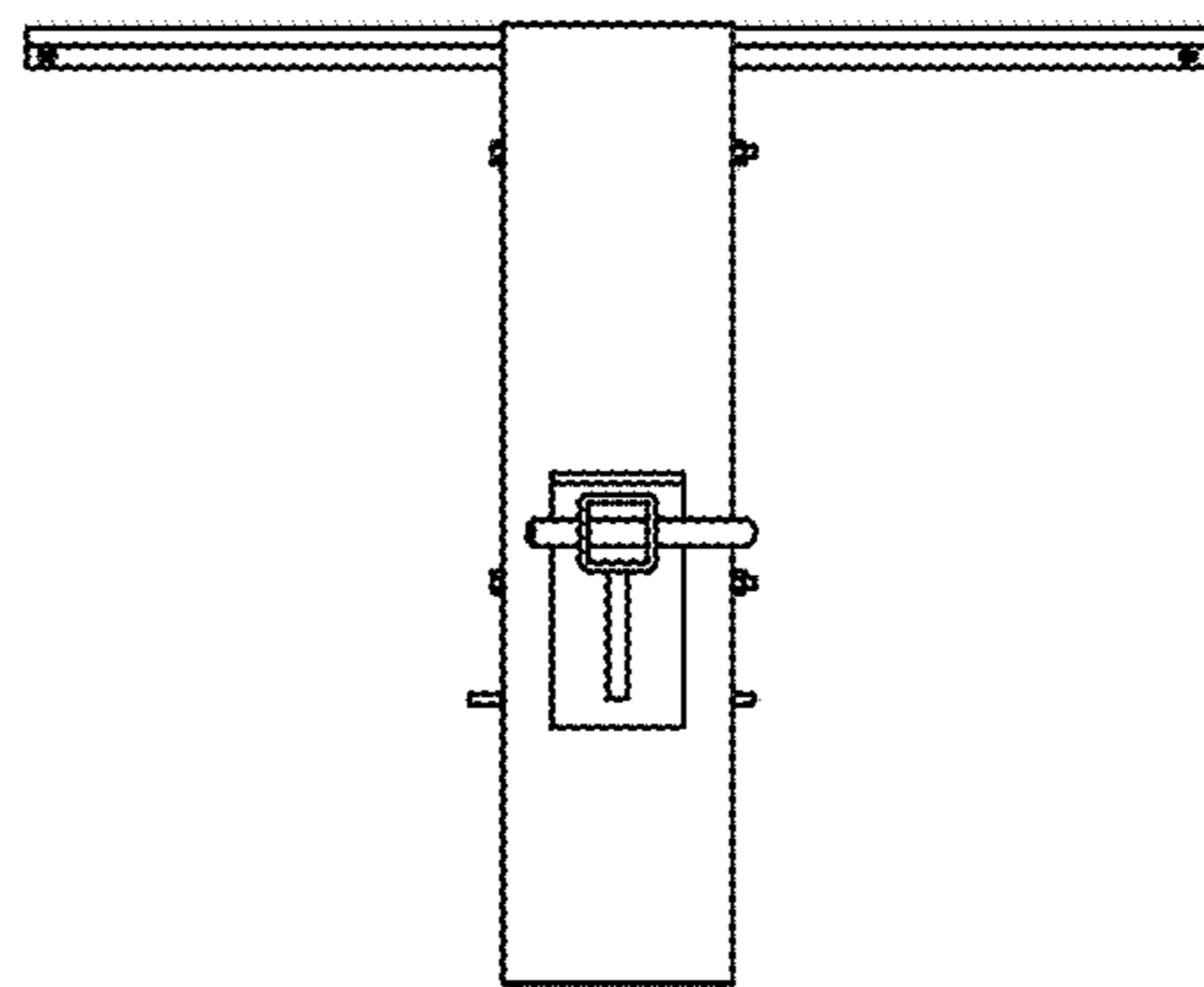


FIG. 14



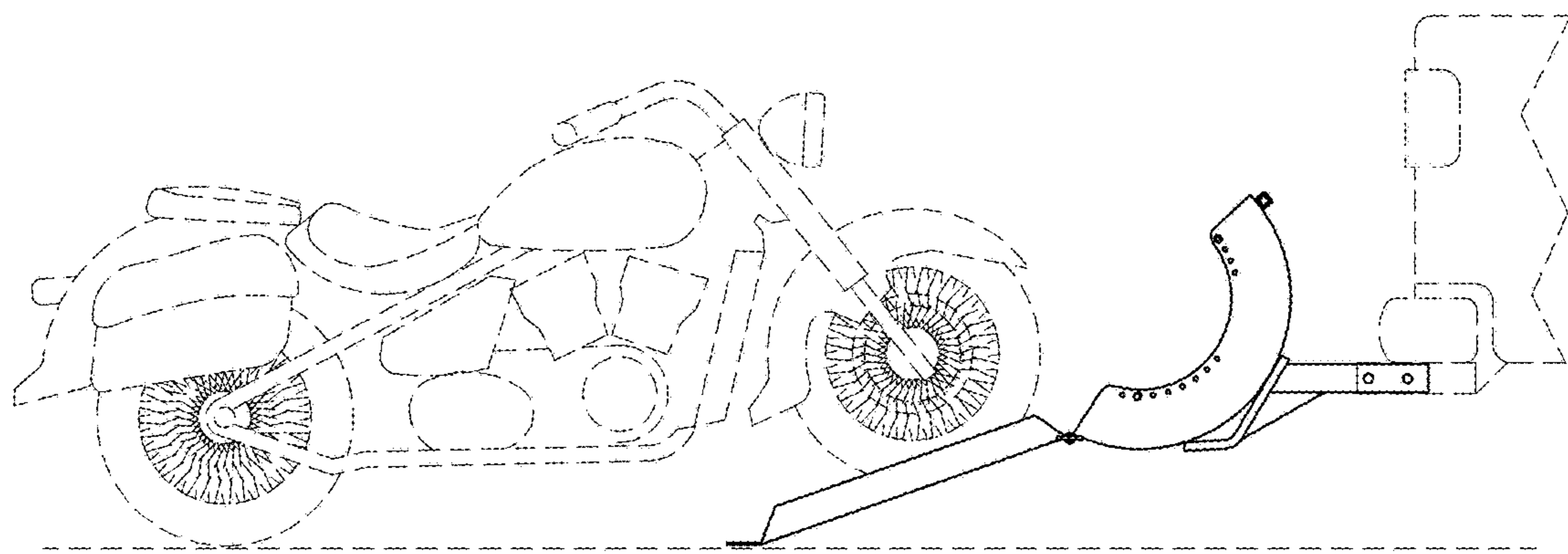


FIG. 15