



US00D797031S

(12) **United States Design Patent**
Patalak et al.

(10) **Patent No.:** **US D797,031 S**
(45) **Date of Patent:** **** Sep. 12, 2017**

(54) **DEFORMABLE SEAT BRACKET**
(71) Applicant: **NATIONAL ASSOCIATION FOR STOCK CAR AUTO RACING, INC.**,
Daytona Beach, FL (US)

D695,091 S * 12/2013 Nunez Farfan D8/354
D769,174 S * 10/2016 Badillo D12/223
2012/0319449 A1* 12/2012 Schenten B60N 2/2245
297/452.18
2016/0176321 A1* 6/2016 Patalak B60N 2/42709
29/434

(72) Inventors: **John Patalak**, Concord, NC (US);
Thomas Gideon, Concord, NC (US)

* cited by examiner

(73) Assignee: **National Association for Stock Car Auto Racing, Inc.**, Daytona Beach, FL (US)

Primary Examiner — Sandra Snapp
Assistant Examiner — Ieisha Price

(74) *Attorney, Agent, or Firm* — Alston & Bird LLP

(**) Term: **14 Years**

(57) **CLAIM**

The ornamental design for a deformable seat bracket, as shown and described.

(21) Appl. No.: **29/512,318**

DESCRIPTION

(22) Filed: **Dec. 18, 2014**

(51) **LOC (10) Cl.** **12-06**

(52) **U.S. Cl.**
USPC **D12/223**

(58) **Field of Classification Search**
USPC D8/16, 71, 349, 363, 366, 374, 382, 499;
D12/415, 416, 222, 223
CPC B60N 2/015; B60N 2/42736; B60N
2/42709; B60N 2002/4405; B60N
2002/445; B60N 2002/684; B60N 2/682
See application file for complete search history.

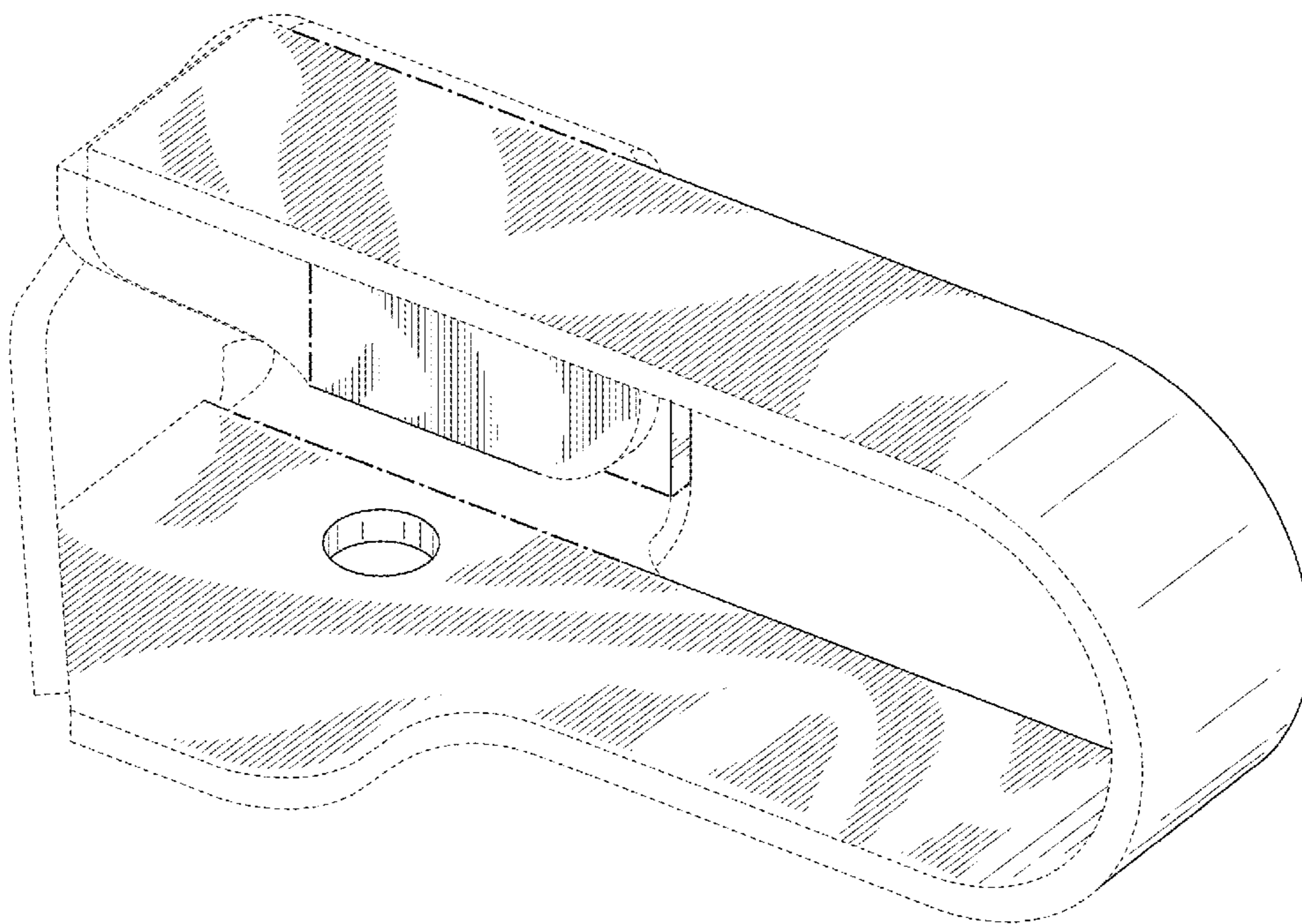
FIG. 1 is a perspective view of a deformable seat bracket according to our new design;
FIG. 2 is a front elevation view thereof;
FIG. 3 is a back elevation view thereof;
FIG. 4 is a right side elevation view thereof;
FIG. 5 is a left side elevation view thereof;
FIG. 6 is a top side elevation view thereof;
FIG. 7 is a bottom plan view thereof; and
FIG. 8 is another perspective view thereof; and
FIG. 9 is a third perspective view thereof.
The dash-dash broken lines in the drawings illustrate portions of the deformable seat bracket and form no part of the claimed design. The dash-dot-dash broken lines in the drawings define bounds of the claim and form no part thereof.

(56) **References Cited**

U.S. PATENT DOCUMENTS

D327,149 S * 6/1992 Harper, IV D32/61
D634,254 S * 3/2011 Marlow D12/223
D680,052 S * 4/2013 Lee D12/223

1 Claim, 9 Drawing Sheets



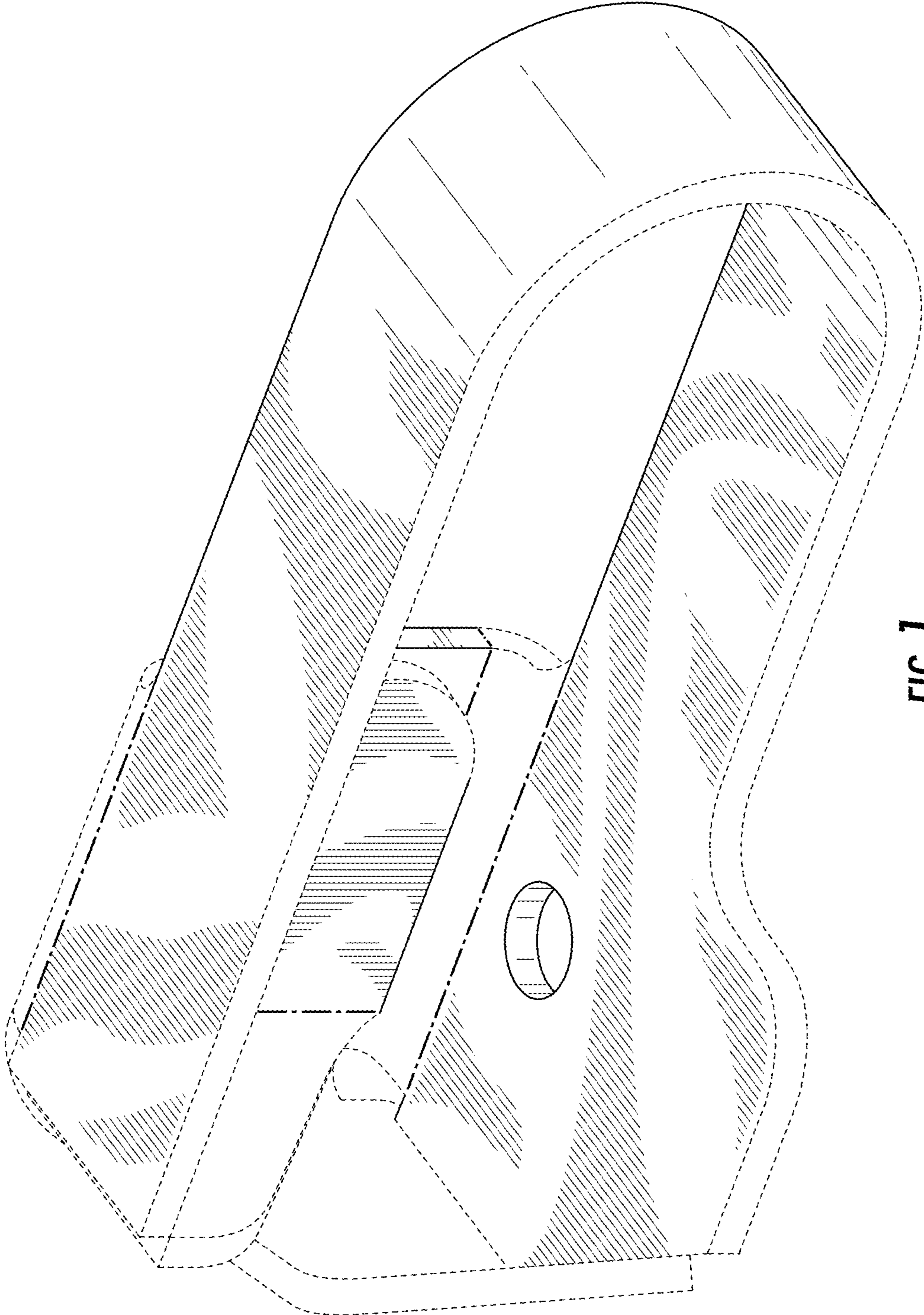


FIG. 1

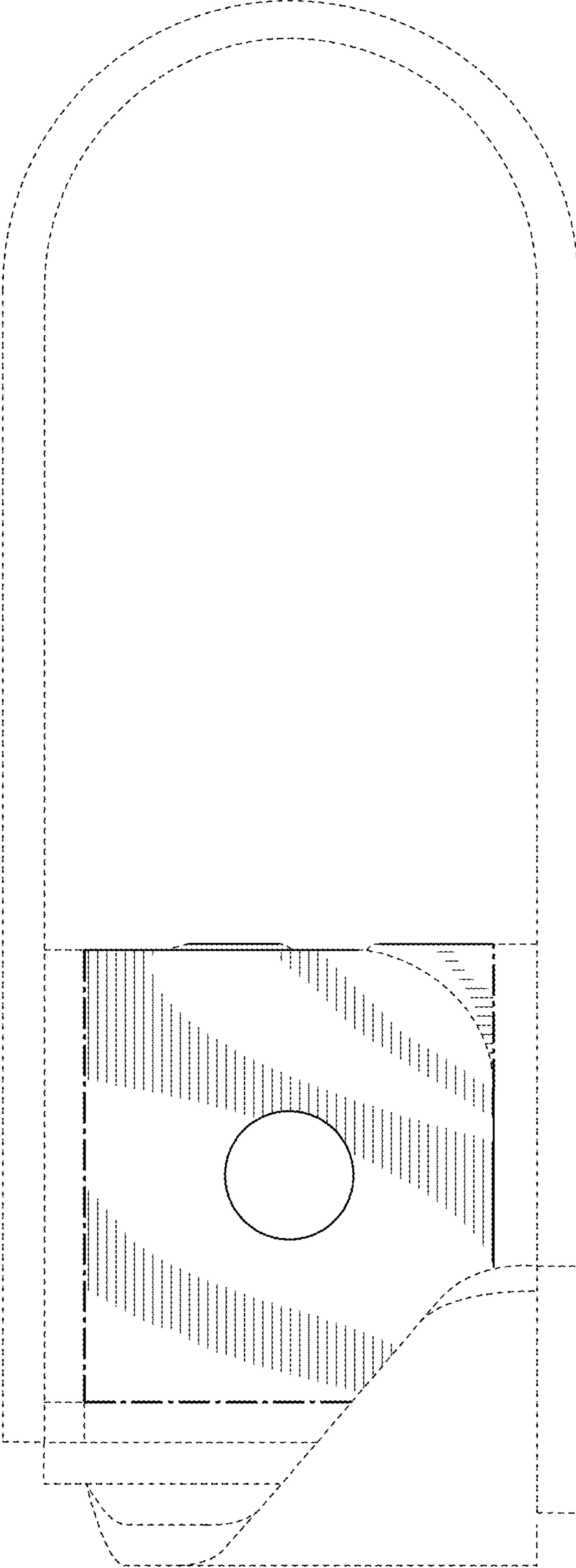


FIG. 2

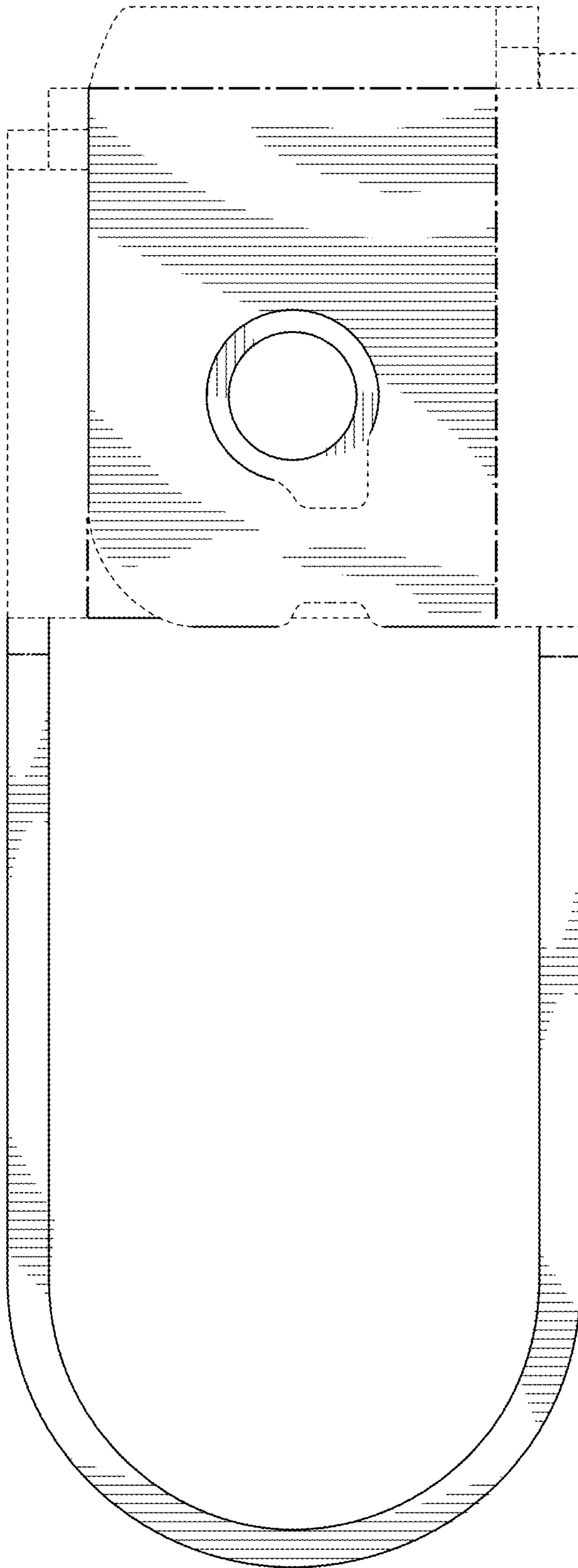


FIG. 3

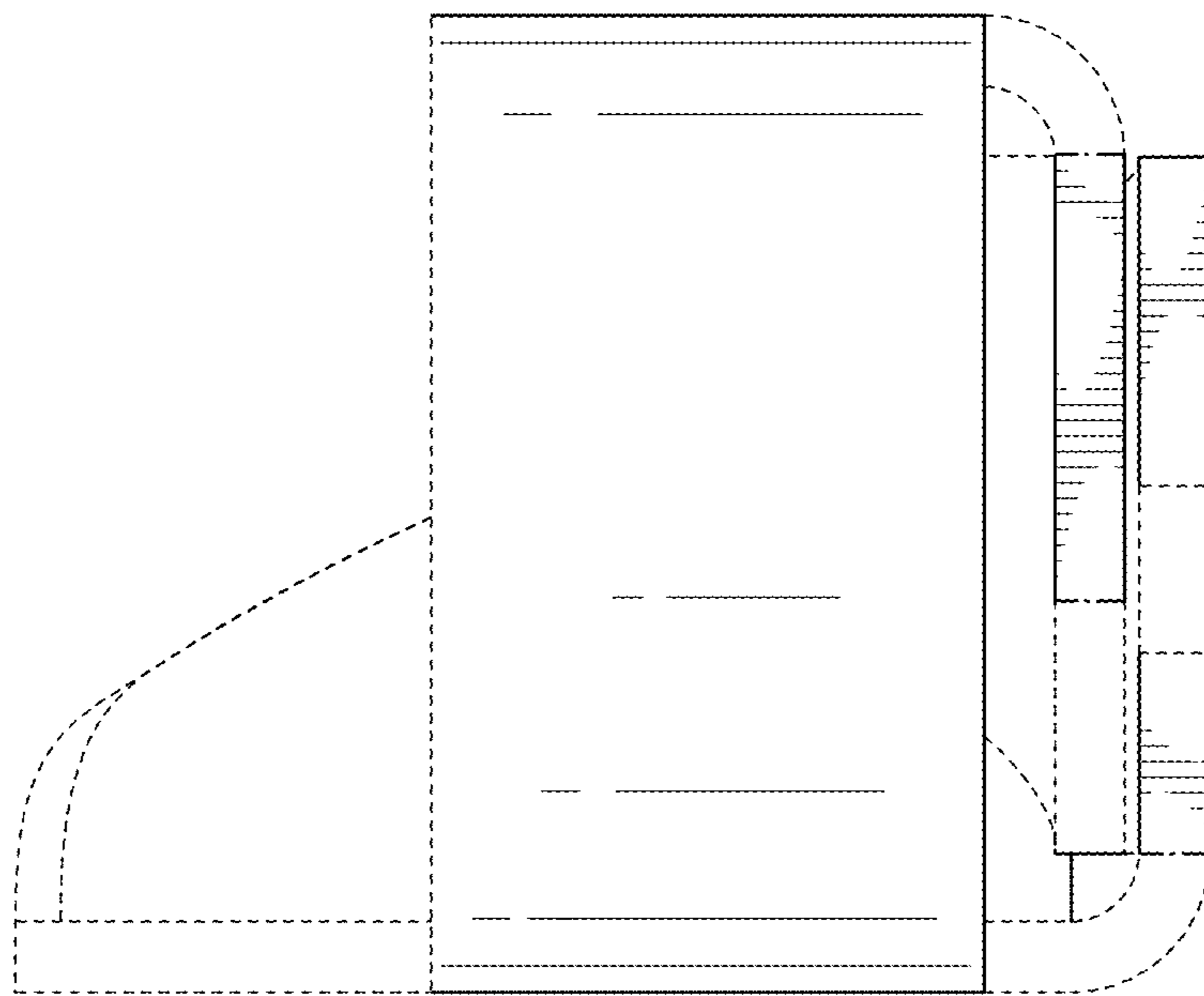


FIG. 4

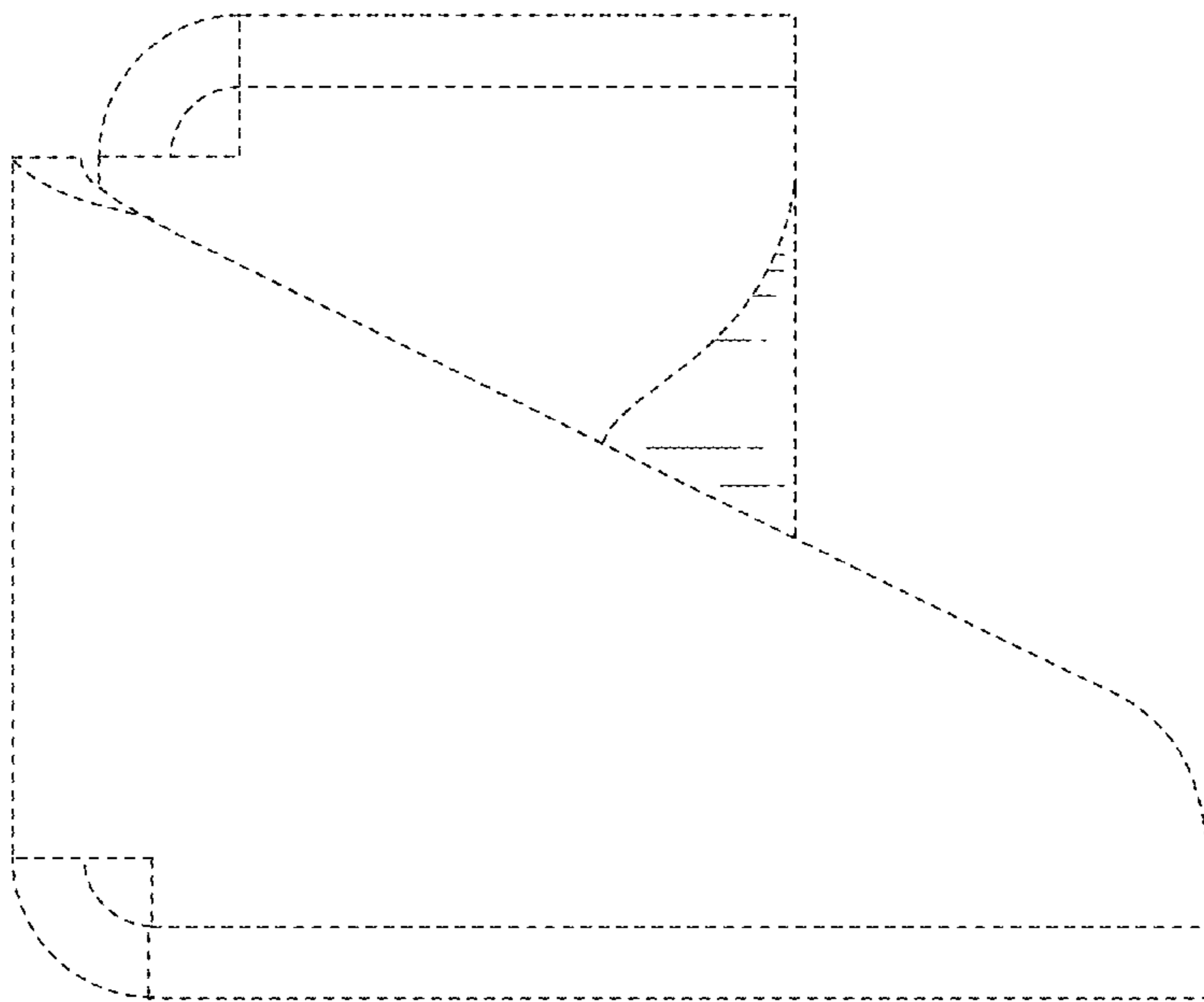


FIG. 5

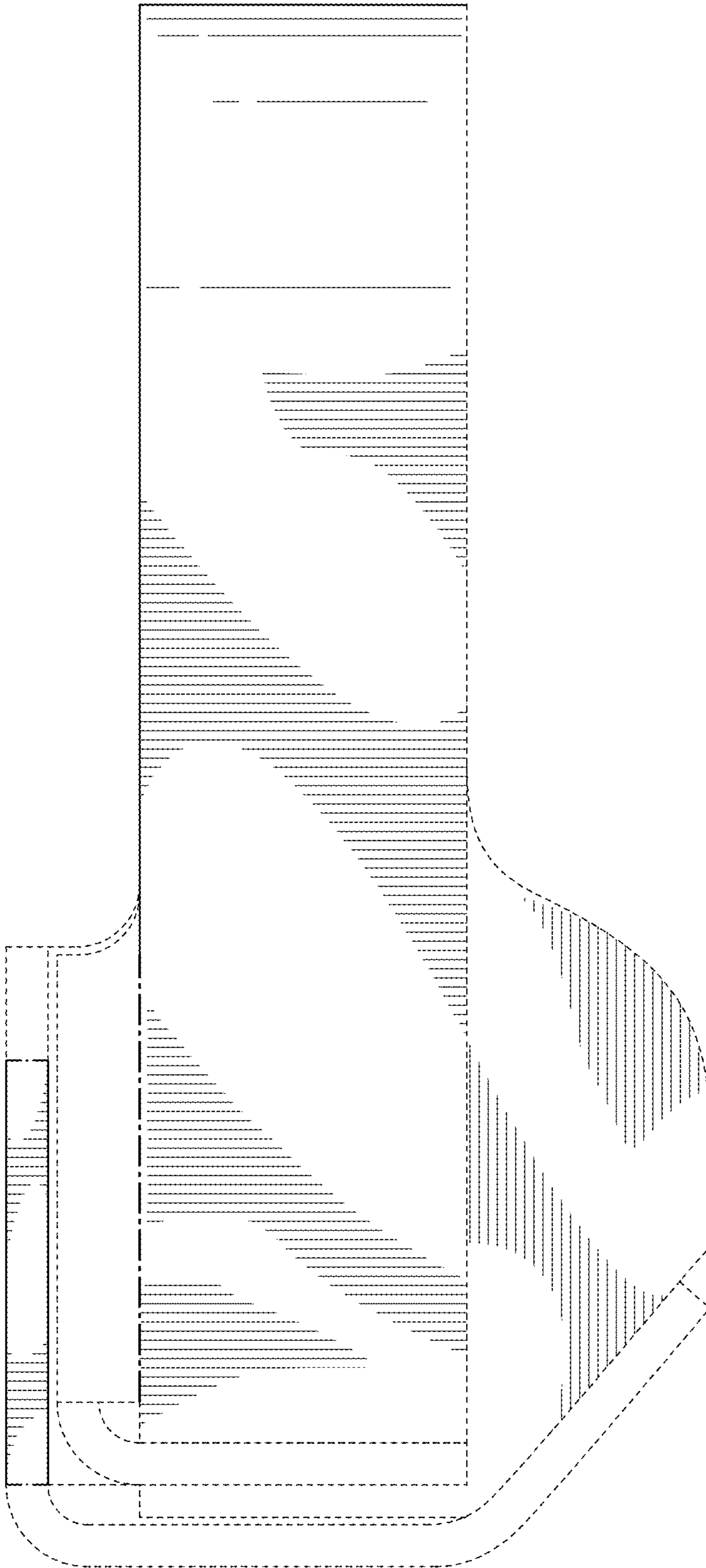


FIG. 6

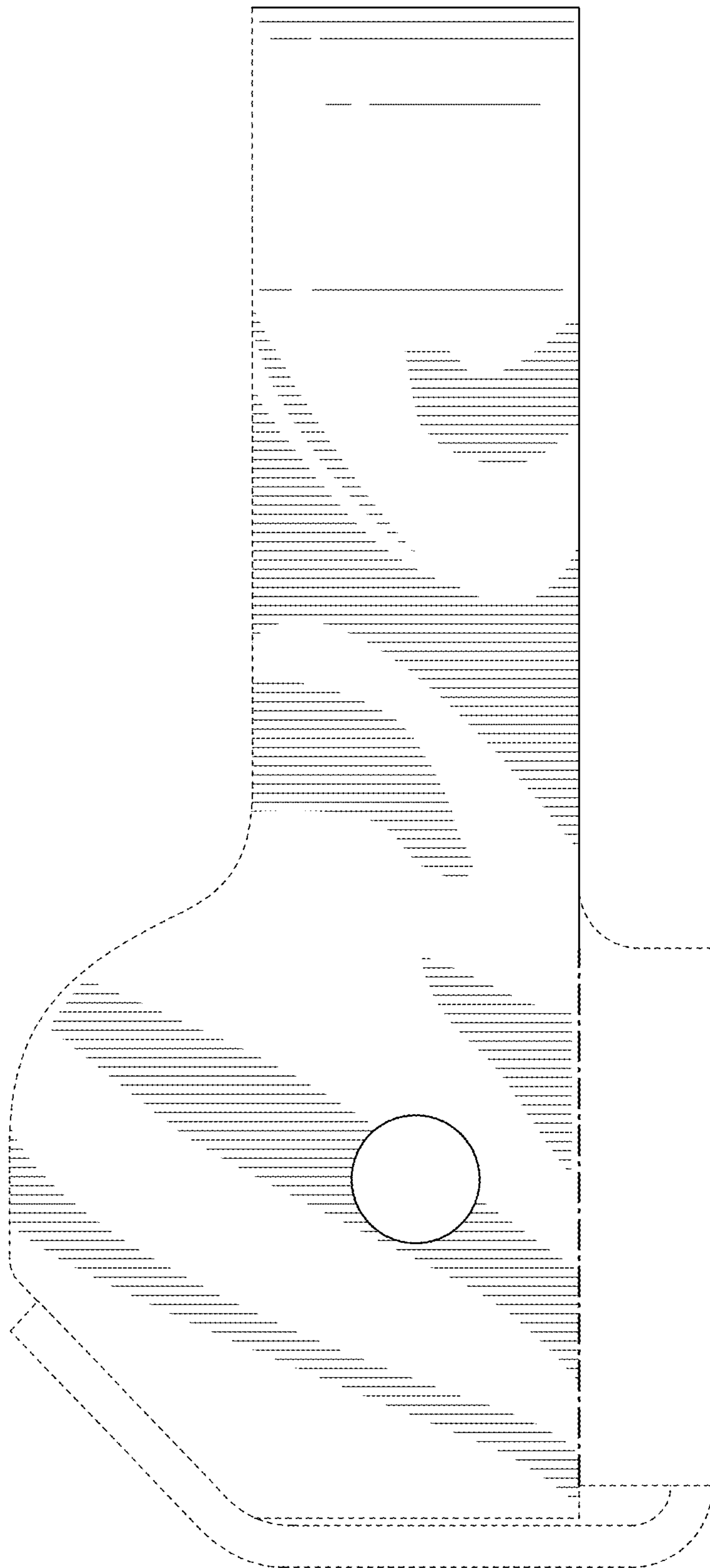


FIG. 7

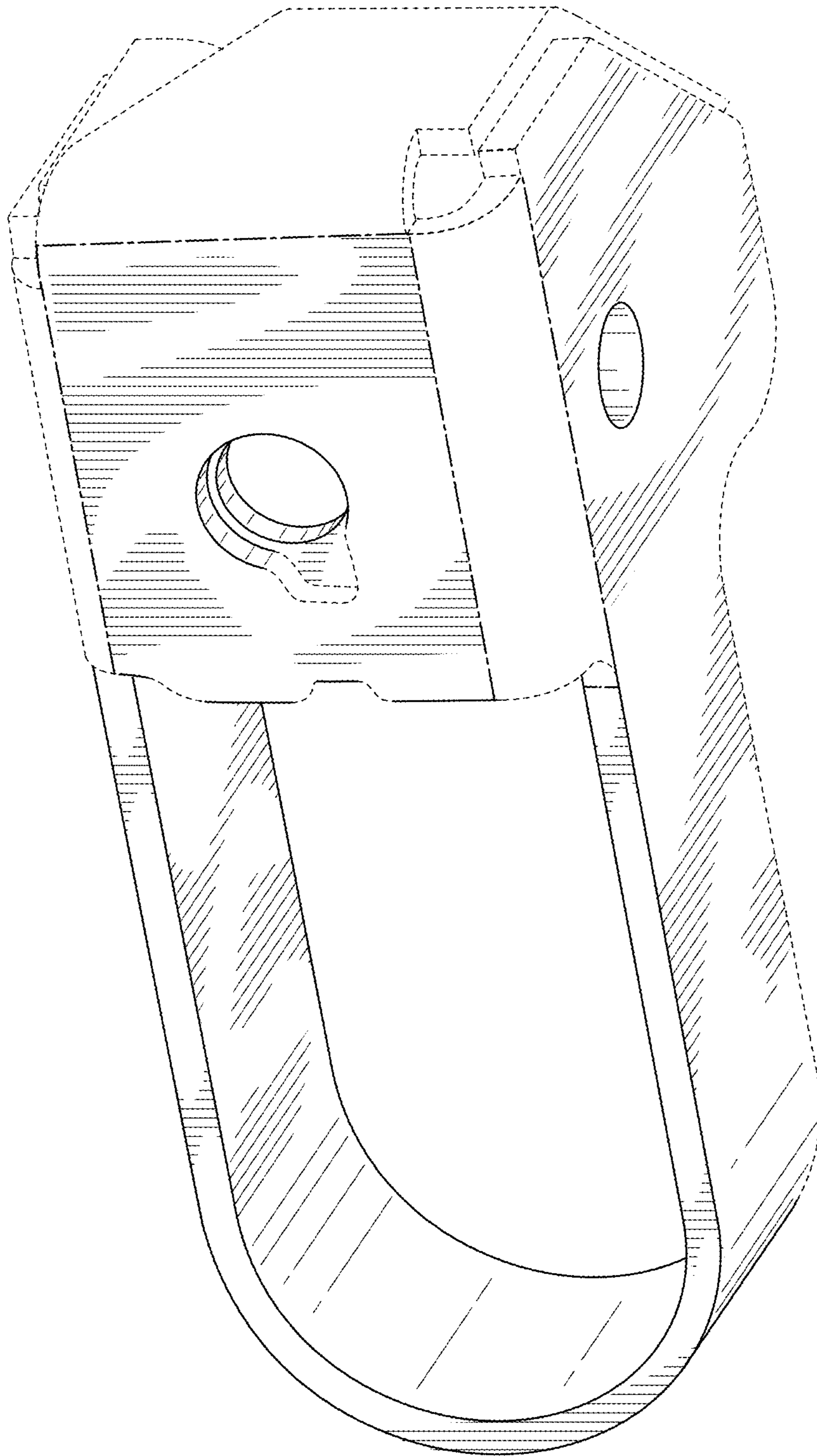


FIG. 8

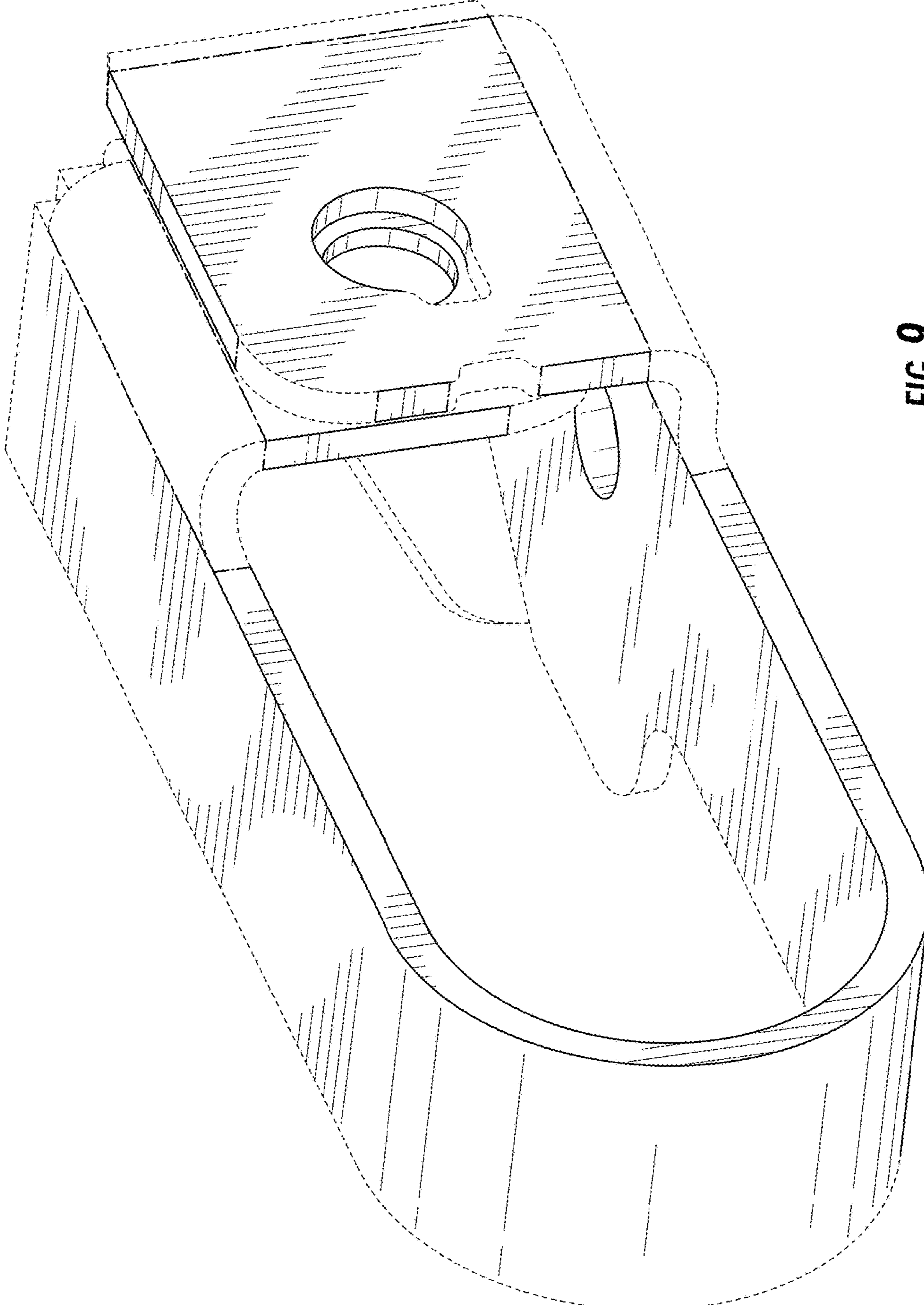


FIG. 9