



US00D797030S

(12) **United States Design Patent**
Chung

(10) **Patent No.:** **US D797,030 S**

(45) **Date of Patent:** **** Sep. 12, 2017**

(54) **AUTOMOTIVE WHEEL**

(71) Applicant: **Suny Chung**, Anaheim, CA (US)

(72) Inventor: **Suny Chung**, Anaheim, CA (US)

(**) Term: **15 Years**

(21) Appl. No.: **29/578,165**

(22) Filed: **Sep. 19, 2016**

(51) **LOC (10) Cl.** **12-16**

(52) **U.S. Cl.**
USPC **D12/211**

(58) **Field of Classification Search**
USPC D12/204-213
CPC B60B 7/00; B60B 7/02; B60B 7/04; B60B 7/01;
B60B 7/06; B60B 3/02; B60B 3/04; B60B 3/06;
B60B 3/10; B60B 1/00; B60B 1/08; B60B 1/10; B60B 1/12
See application file for complete search history.

(56) **References Cited**

U.S. PATENT DOCUMENTS

D206,432 S * 12/1966 Reid D12/209
D267,488 S * 1/1983 Hayashi D12/211

D277,661 S * 2/1985 Cafaro D12/211
D292,572 S * 11/1987 Schell D12/211
D292,692 S * 11/1987 Smith D12/211
D506,966 S * 7/2005 Kataoka D12/209
D621,321 S * 8/2010 Groom D12/211
D691,544 S * 10/2013 Ferrett D12/211
D714,705 S * 10/2014 Kong D12/211
D786,163 S * 5/2017 Wuescher D12/211
D787,410 S * 5/2017 Chung D12/211

* cited by examiner

Primary Examiner — Stacia Cadmus

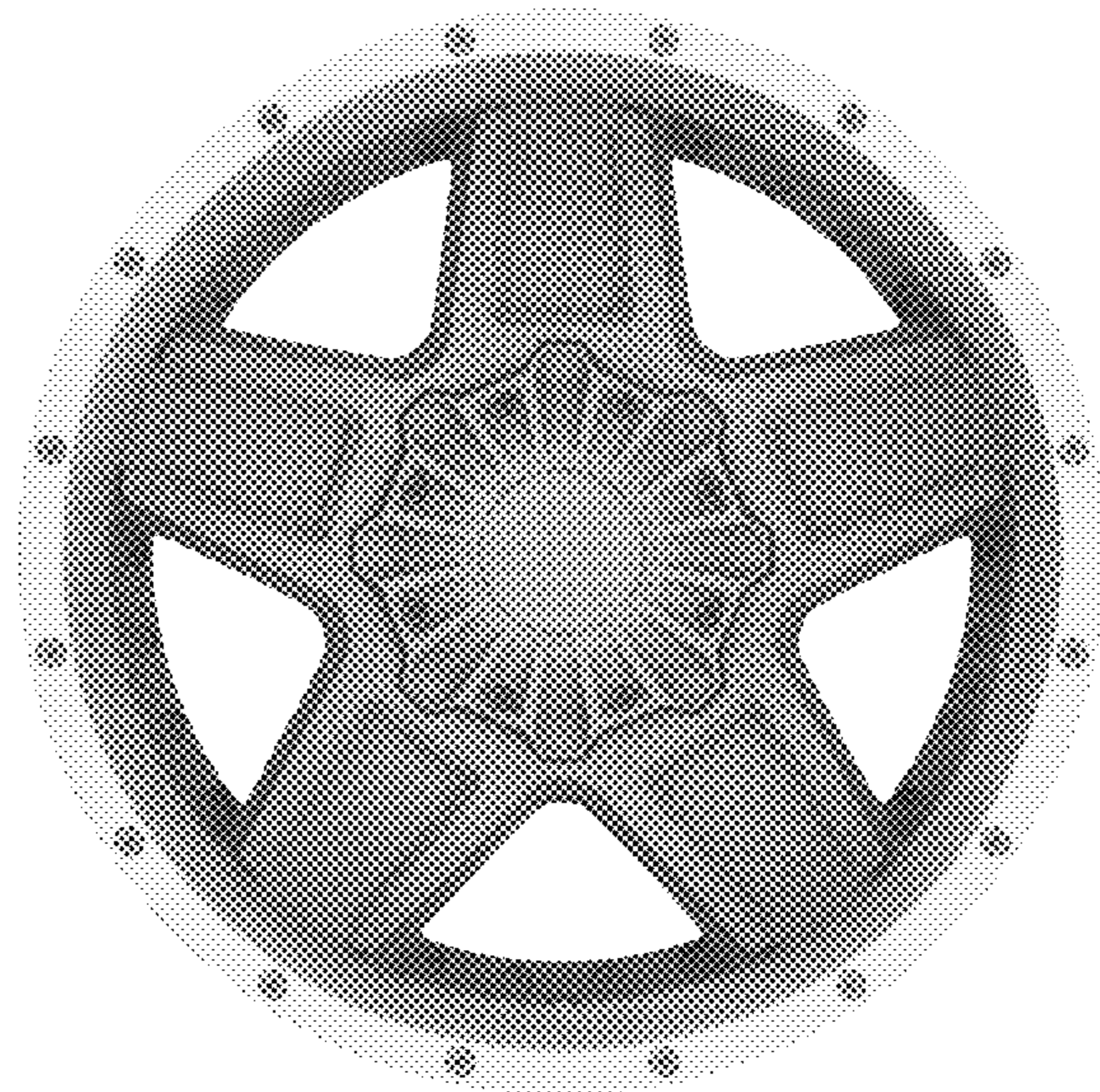
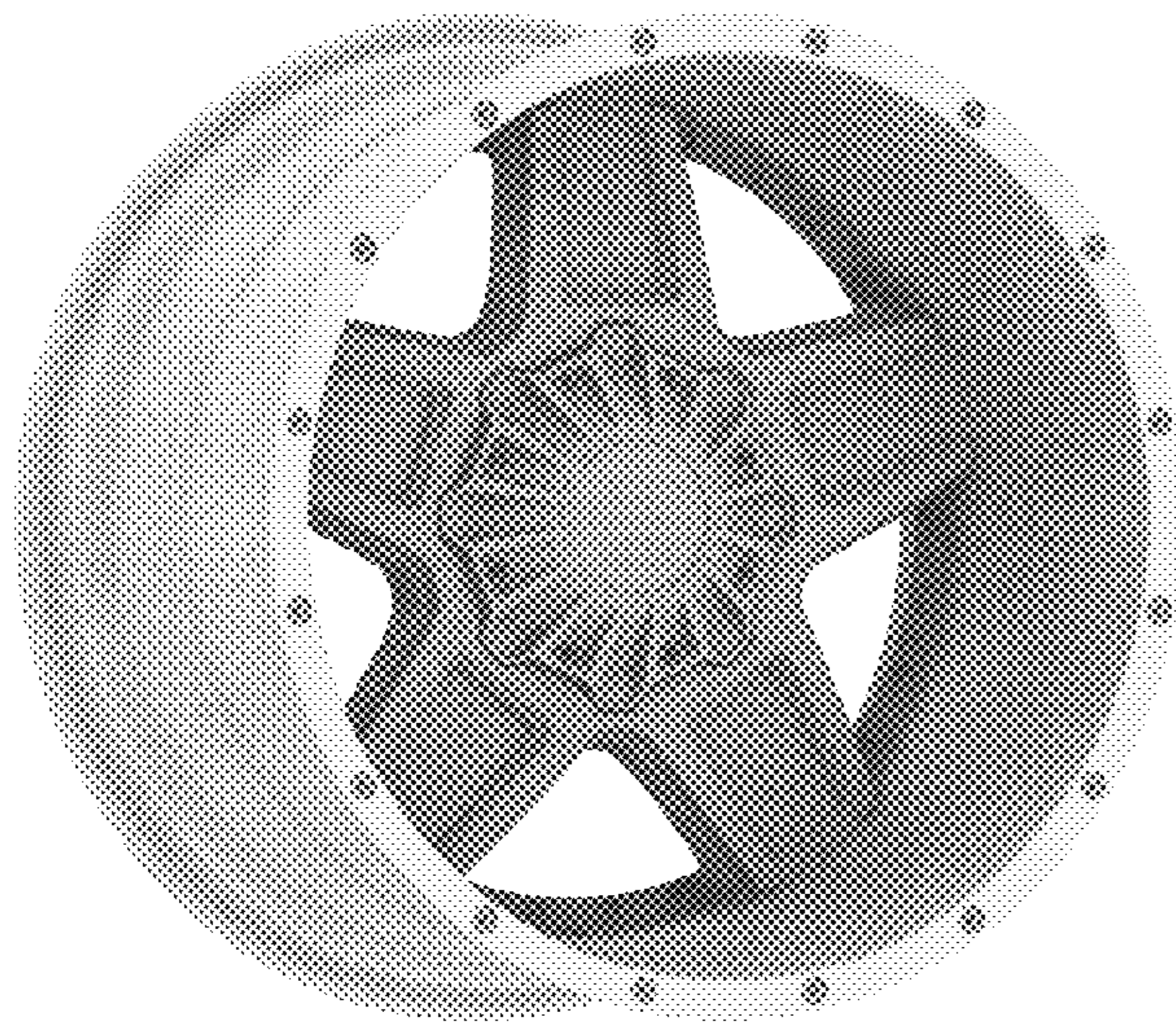
(57) **CLAIM**

The ornamental design for an automotive wheel, as shown and described.

DESCRIPTION

FIG. 1 is a perspective view of an automotive wheel, showing my new design;
FIG. 2 is another perspective view thereof;
FIG. 3 is a front view thereof;
FIG. 4 is a perspective view of a second embodiment of an automotive wheel, showing my new design;
FIG. 5 is another perspective view of FIG. 4;
FIG. 6 is a front view of FIG. 4; and
FIG. 7 is a side view of the automotive wheel is FIGS. 1-6.

1 Claim, 7 Drawing Sheets



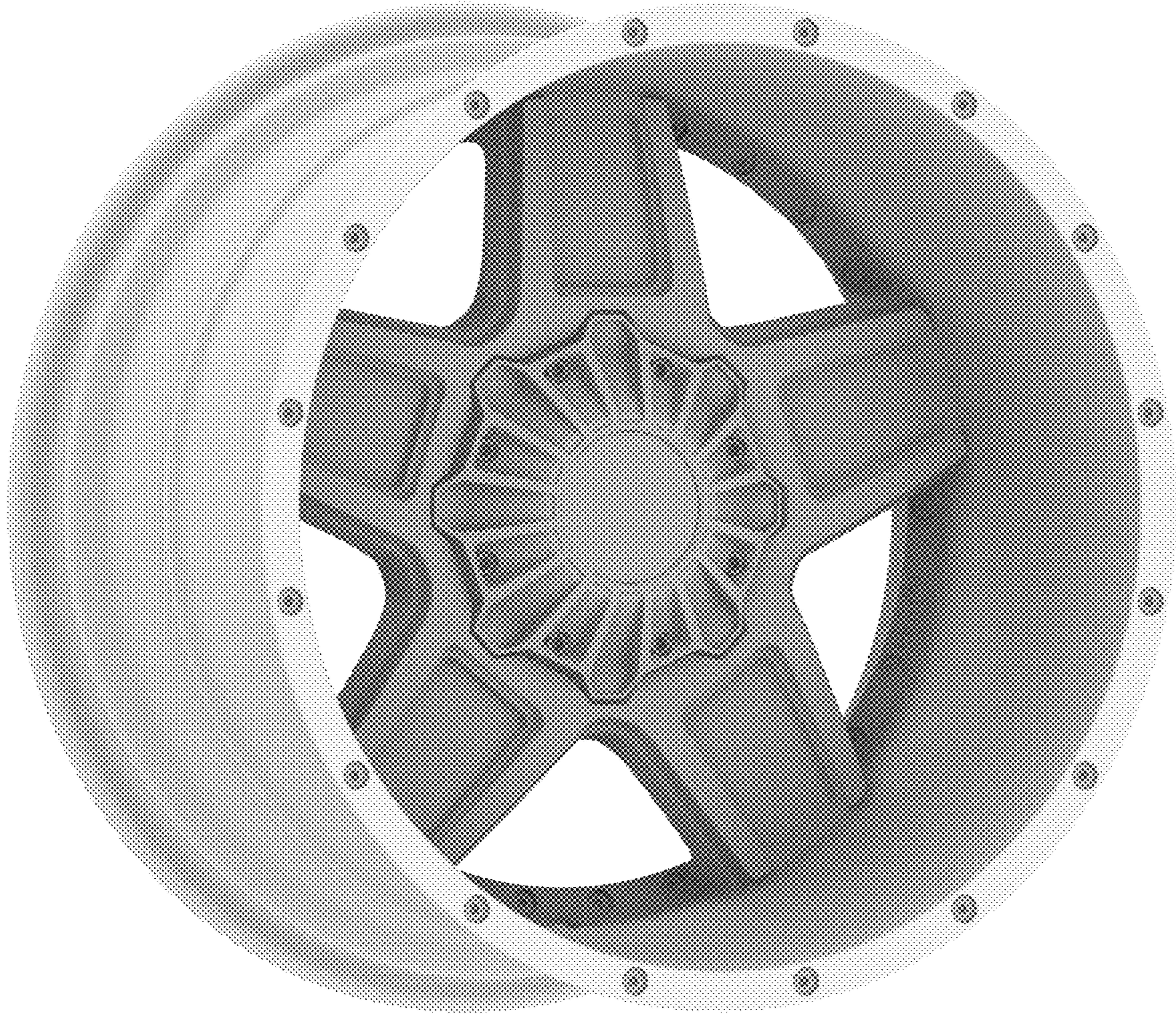


FIGURE 1

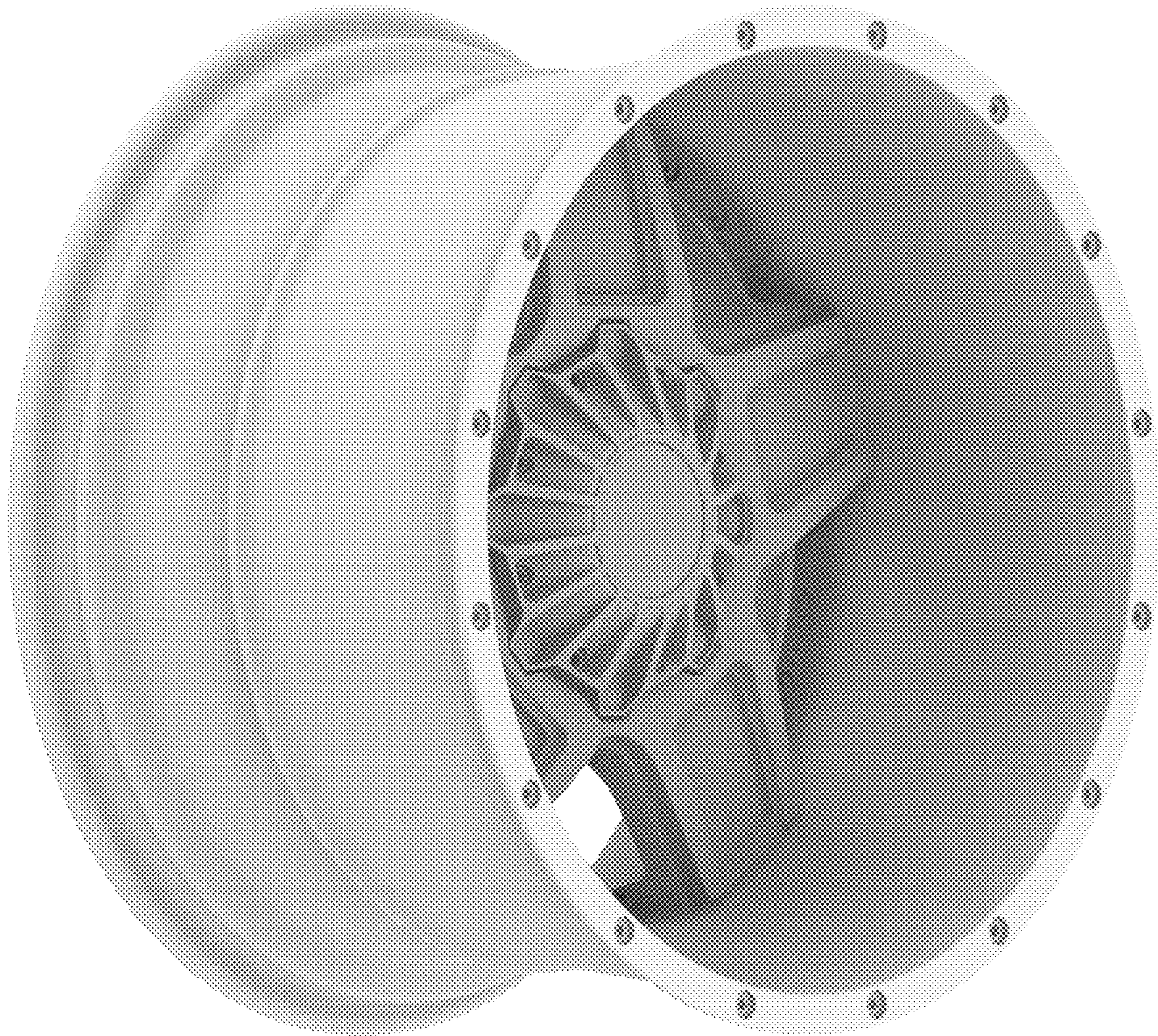


FIGURE 2

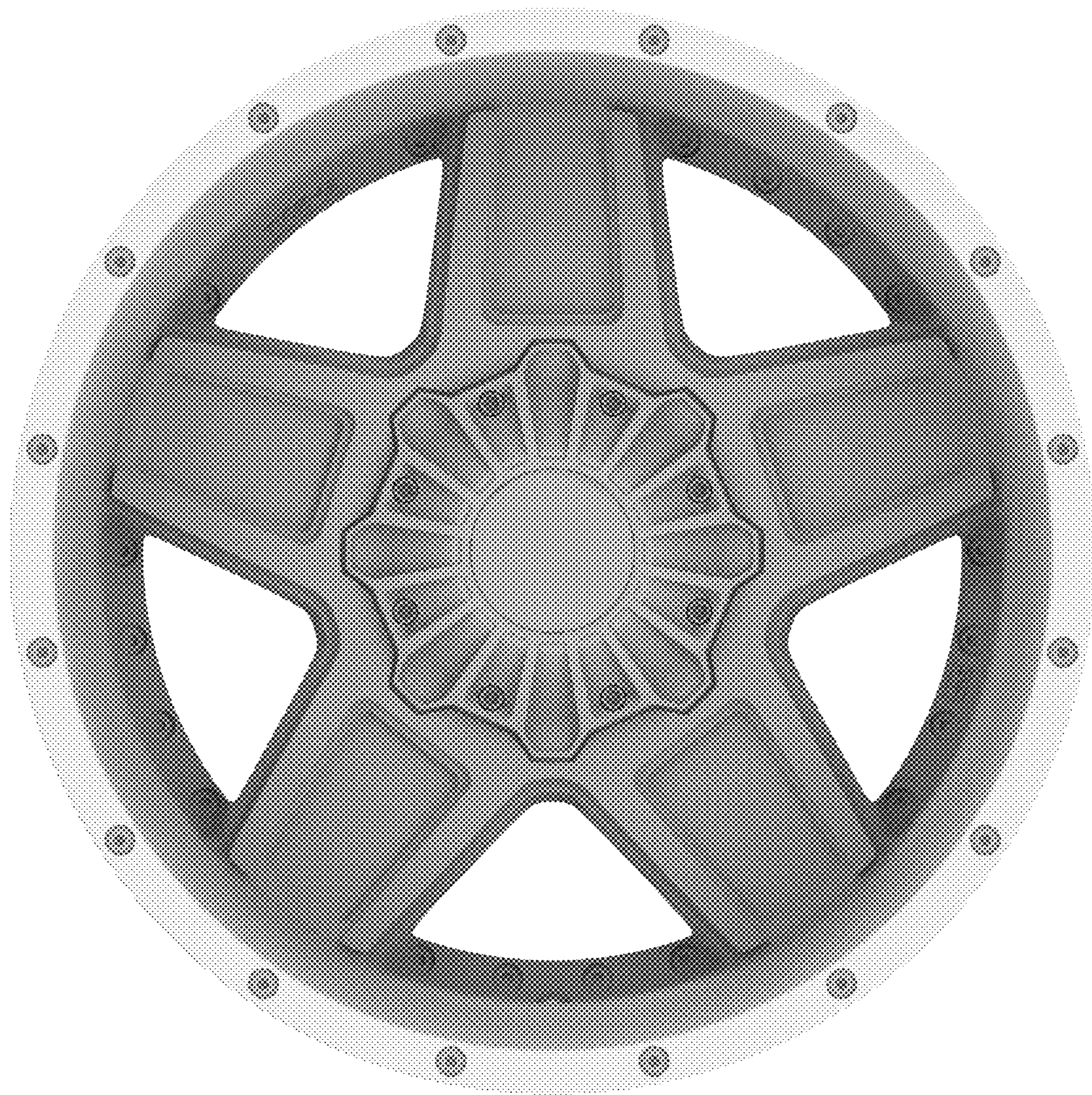


FIGURE 3



FIGURE 4

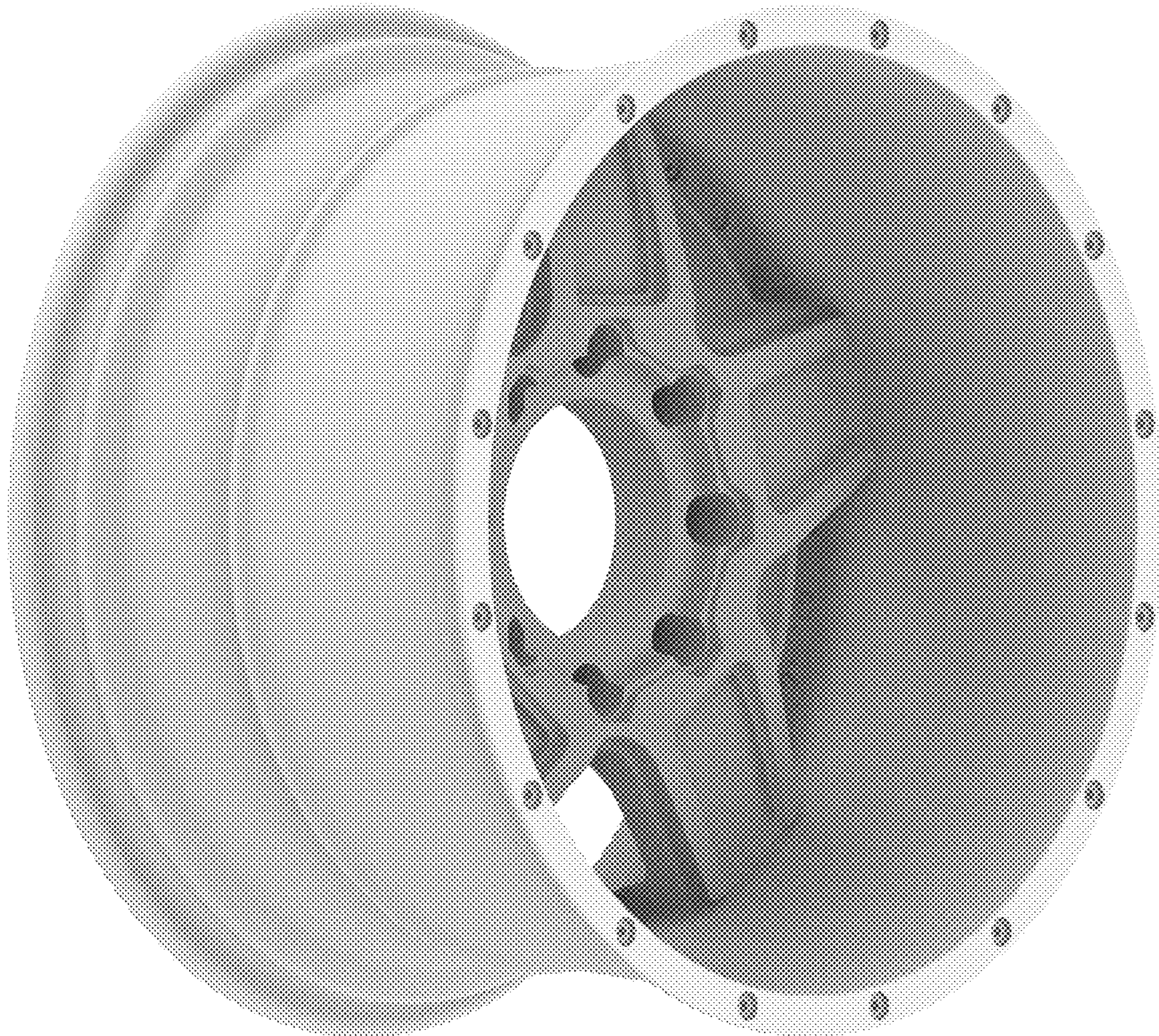


FIGURE 5

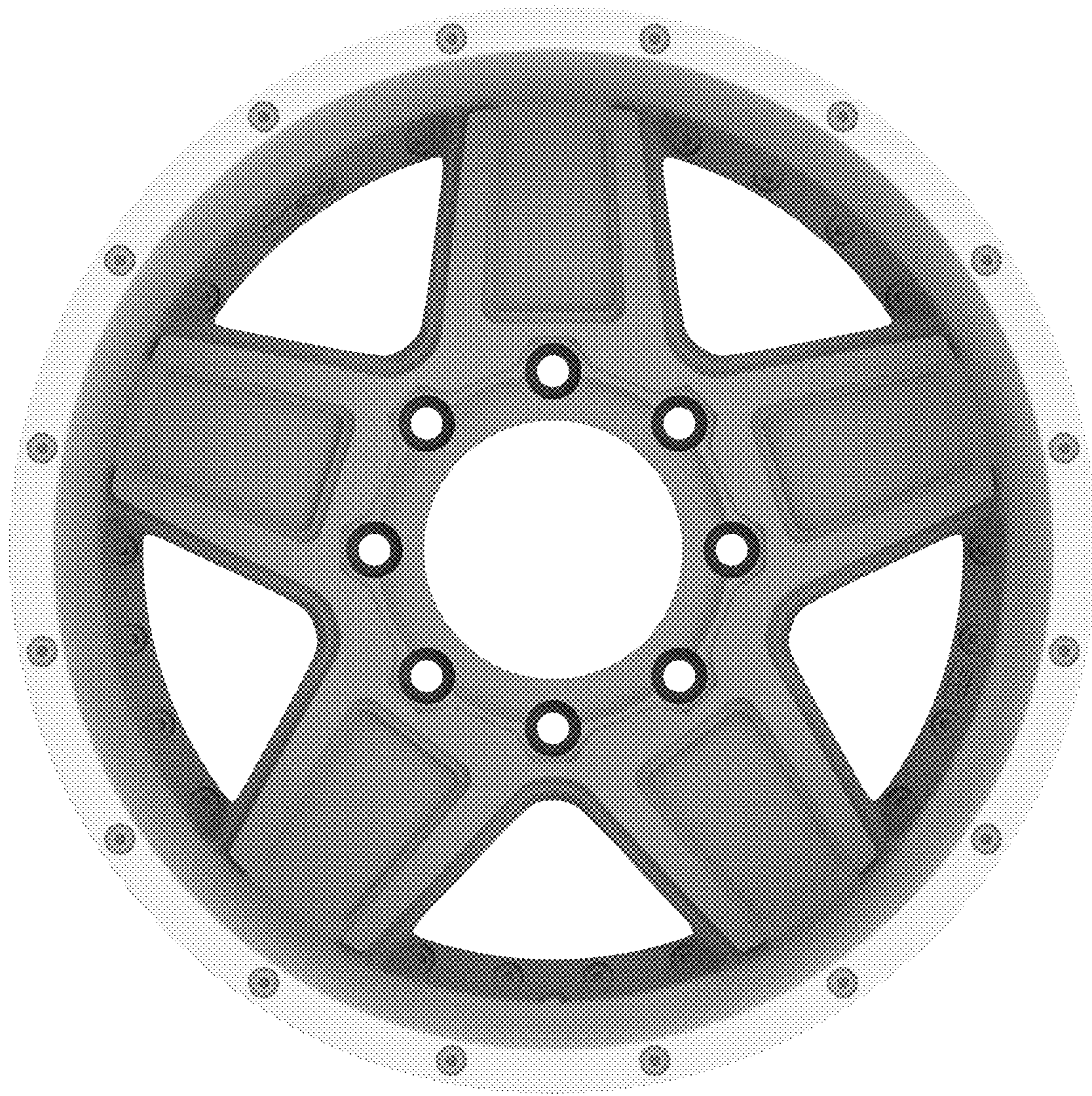


FIGURE 6

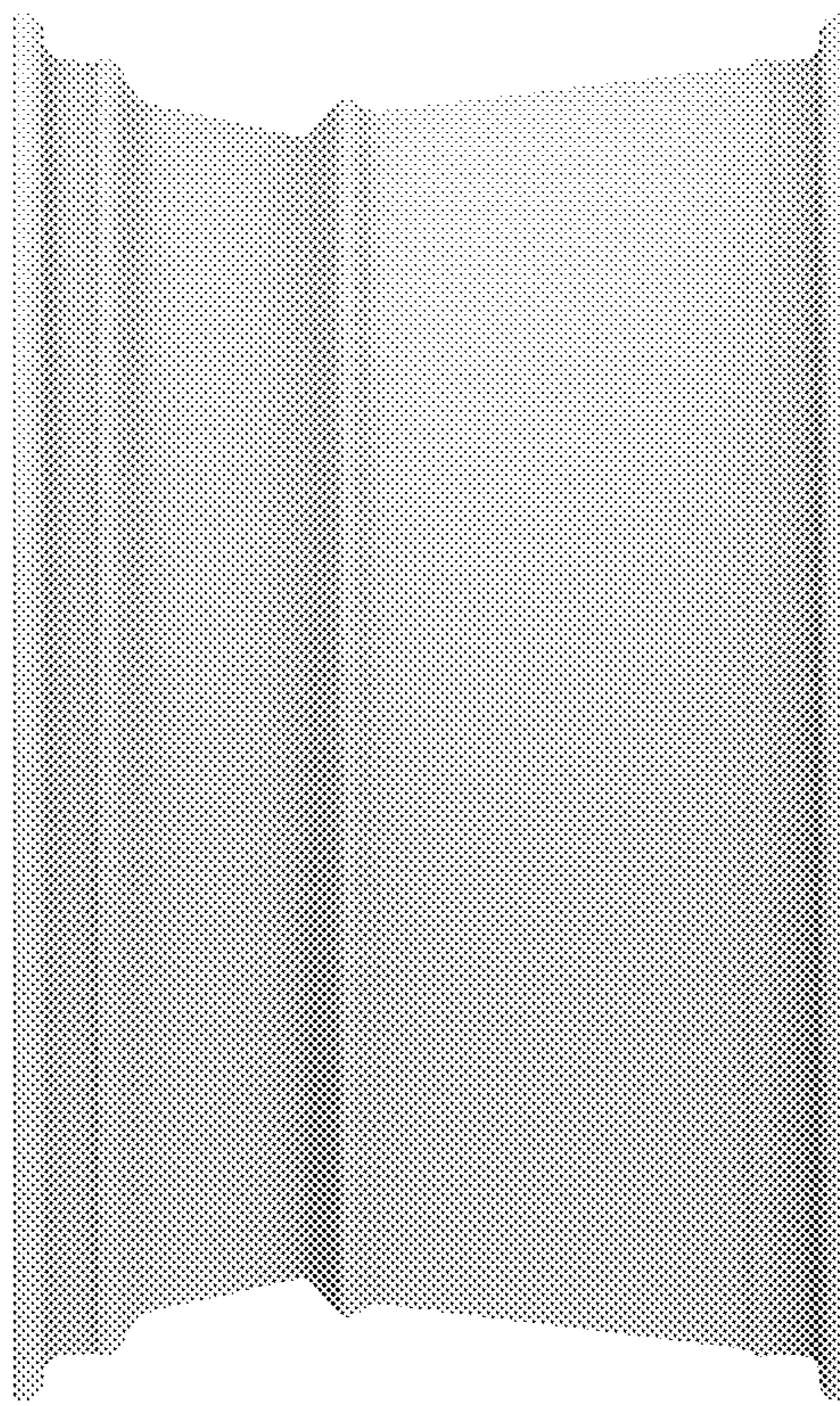


FIGURE 7