

US00D797029S

(12) **United States Design Patent**
Chung

(10) **Patent No.:** **US D797,029 S**

(45) **Date of Patent:** **** Sep. 12, 2017**

(54) **AUTOMOTIVE WHEEL**

(71) Applicant: **Suny Chung**, Anaheim, CA (US)

(72) Inventor: **Suny Chung**, Anaheim, CA (US)

(**) Term: **15 Years**

(21) Appl. No.: **29/569,386**

(22) Filed: **Jun. 27, 2016**

(51) **LOC (10) Cl.** **12-16**

(52) **U.S. Cl.**
USPC **D12/211**

(58) **Field of Classification Search**
USPC D12/204–213
CPC B60B 7/00; B60B 7/02; B60B 7/04; B60B 7/01; B60B 7/06; B60B 3/02; B60B 3/04; B60B 3/06; B60B 3/10; B60B 1/00; B60B 1/08; B60B 1/10; B60B 1/12
See application file for complete search history.

(56) **References Cited**

U.S. PATENT DOCUMENTS

| | | | | | |
|------------|---|--------|----------|-------|---------|
| D470,812 S | * | 2/2003 | Chu | | D12/211 |
| D495,290 S | * | 8/2004 | Chung | | D12/211 |
| D520,932 S | * | 5/2006 | Guevara | | D12/211 |
| D521,920 S | * | 5/2006 | Phillips | | D12/209 |
| D526,267 S | * | 8/2006 | Loohe | | D12/211 |
| D548,165 S | * | 8/2007 | Young | | D12/211 |

| | | | | | |
|------------|---|---------|-------|-------|---------|
| D597,012 S | * | 7/2009 | Chung | | D12/211 |
| D655,666 S | * | 3/2012 | Zhao | | D12/211 |
| D670,227 S | * | 11/2012 | Chung | | D12/211 |
| D707,167 S | * | 6/2014 | Chung | | D12/209 |
| D709,020 S | * | 7/2014 | Chung | | D12/211 |
| D712,333 S | * | 9/2014 | Chung | | D12/211 |
| D722,939 S | * | 2/2015 | Chung | | D12/213 |
| D742,293 S | * | 11/2015 | Chung | | D12/211 |
| D747,253 S | * | 1/2016 | Chung | | D12/211 |

* cited by examiner

Primary Examiner — Stacia Cadmus

(57) **CLAIM**

The ornamental design for an automotive wheel, as shown and described.

DESCRIPTION

FIG. 1 is a perspective view of an automotive wheel, showing my new design;
FIG. 2 is another perspective view thereof;
FIG. 3 is another perspective view thereof;
FIG. 4 is a front view thereof;
FIG. 5 is a perspective view of a second embodiment of an automotive wheel showing my new design;
FIG. 6 is another perspective view of FIG. 5;
FIG. 7 is another perspective view of FIG. 5;
FIG. 8 is a front view of FIG. 5;
FIG. 9 is a side view of the automotive wheel in FIGS. 1-7; and,
FIG. 10 is an exploded view of the wheel.

1 Claim, 10 Drawing Sheets

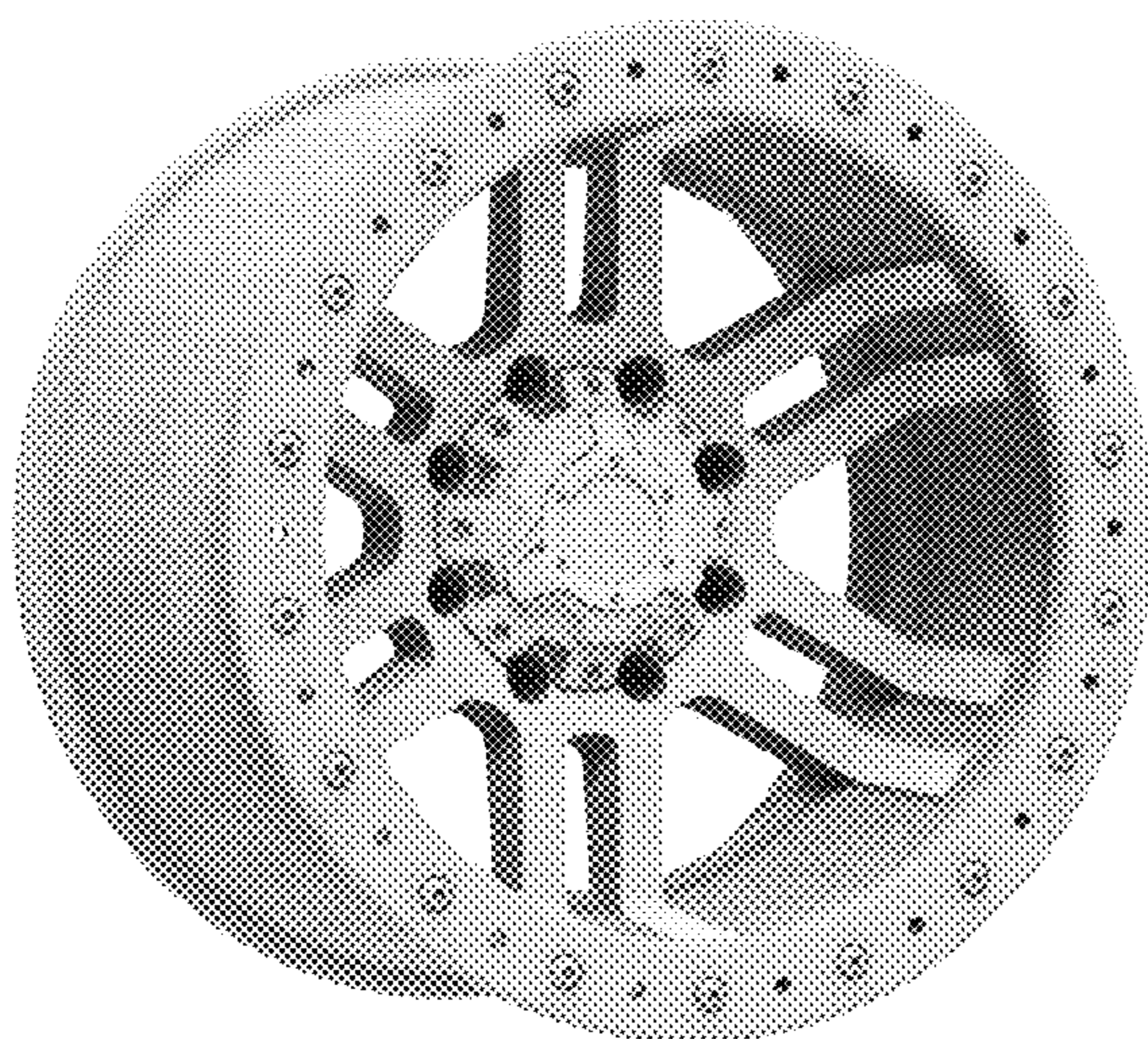




FIGURE 1



FIGURE 2

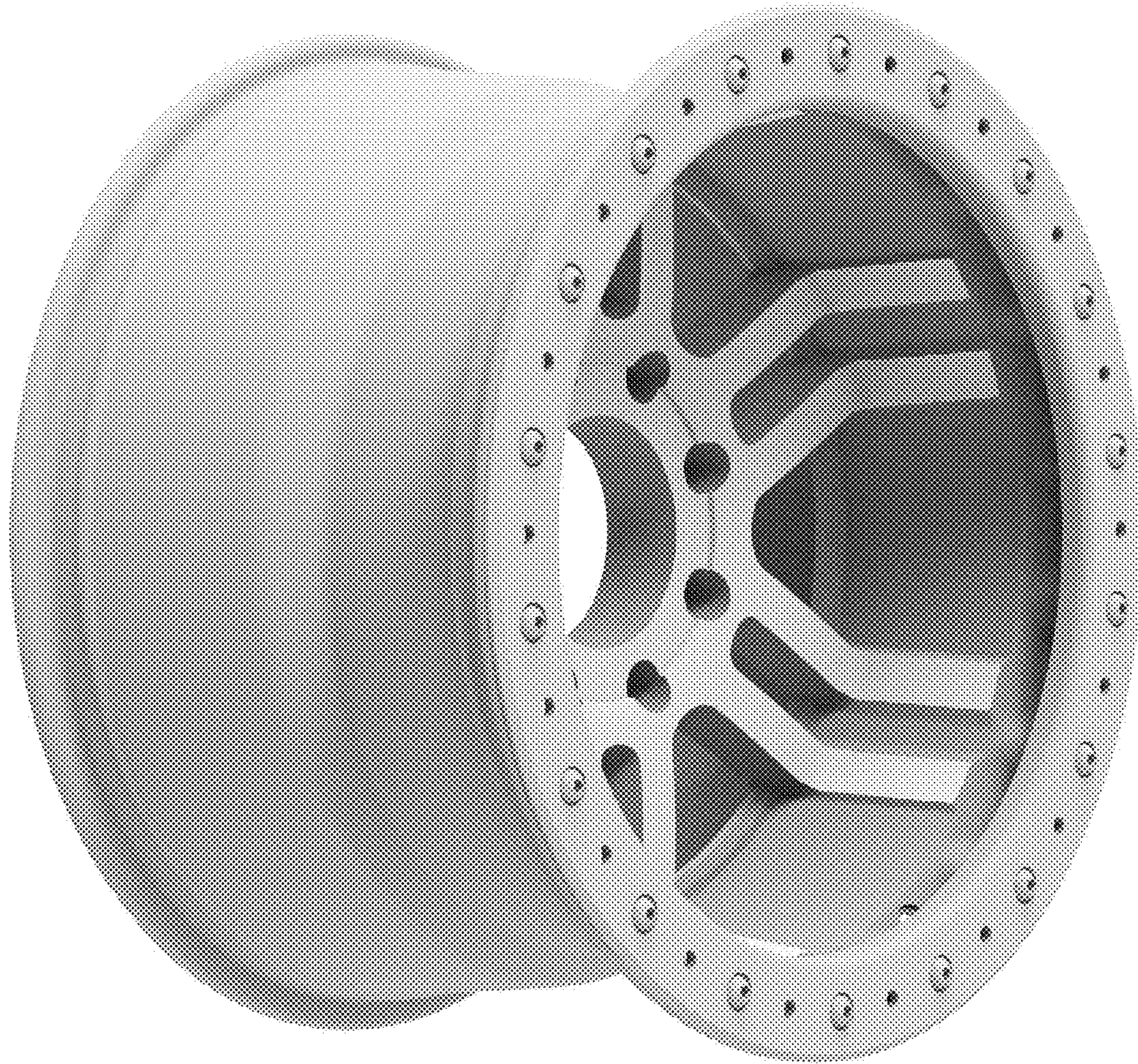


FIGURE 3

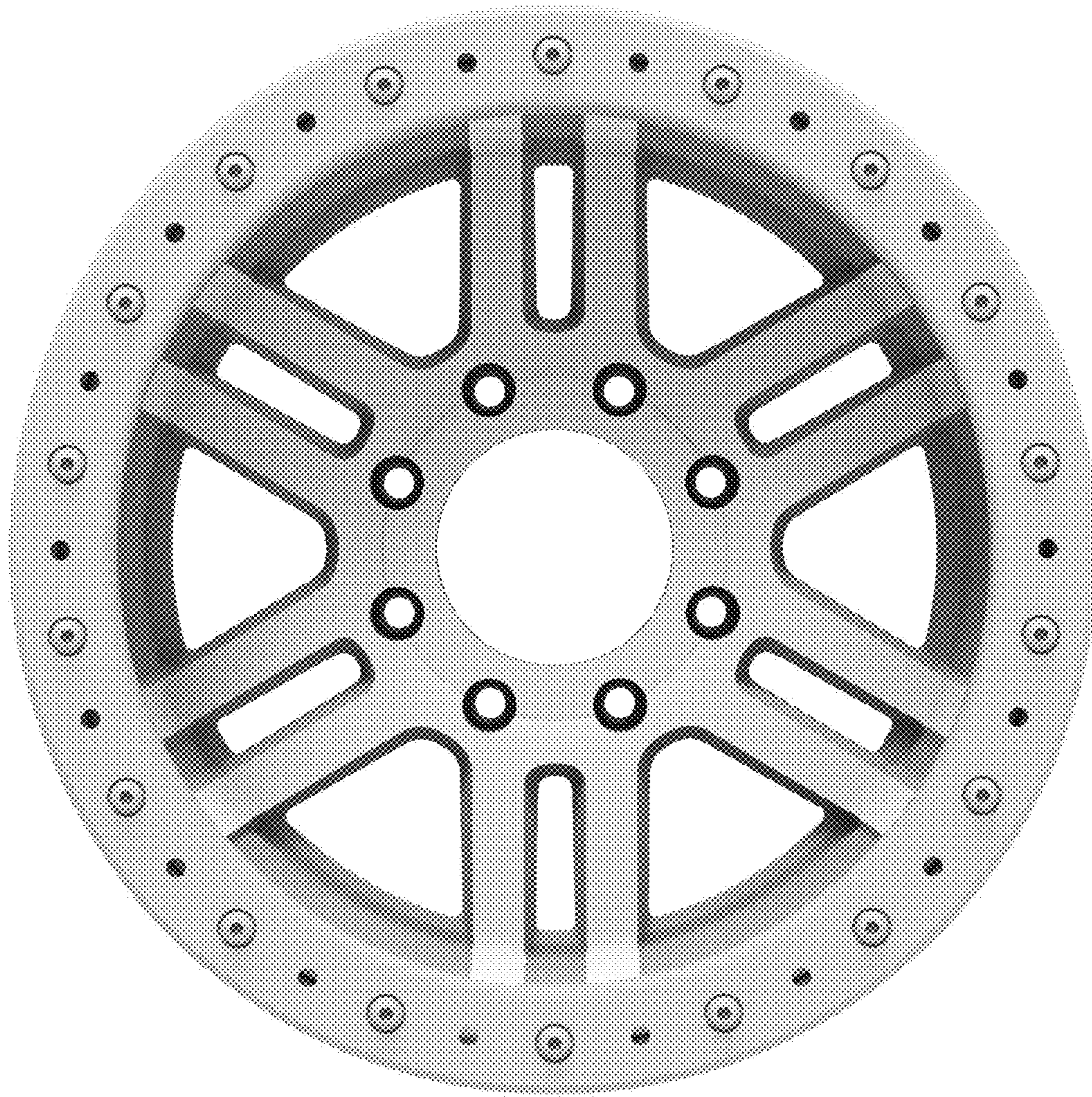


FIGURE 4



FIGURE 5



FIGURE 6

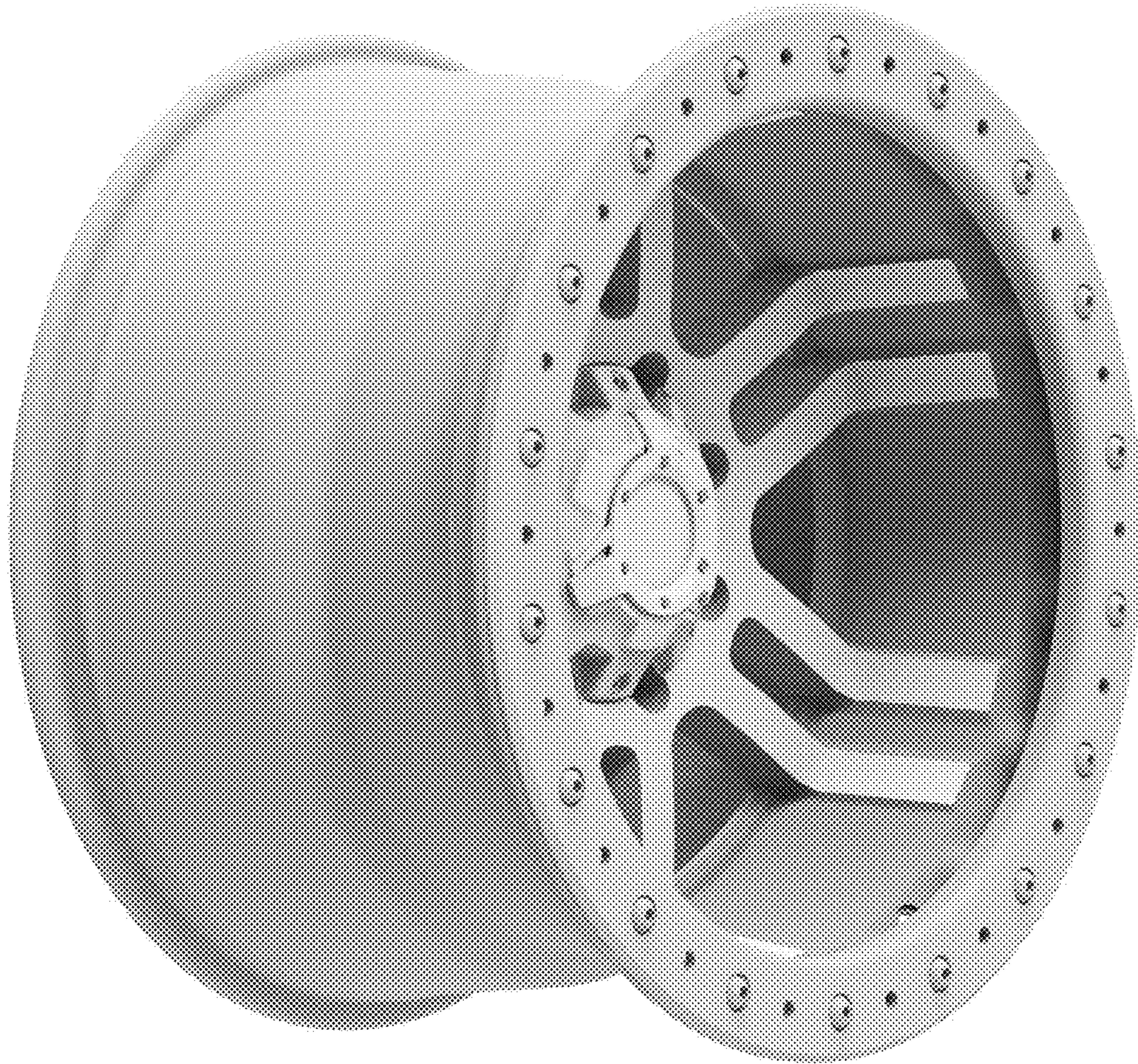


FIGURE 7



FIGURE 8



FIGURE 9

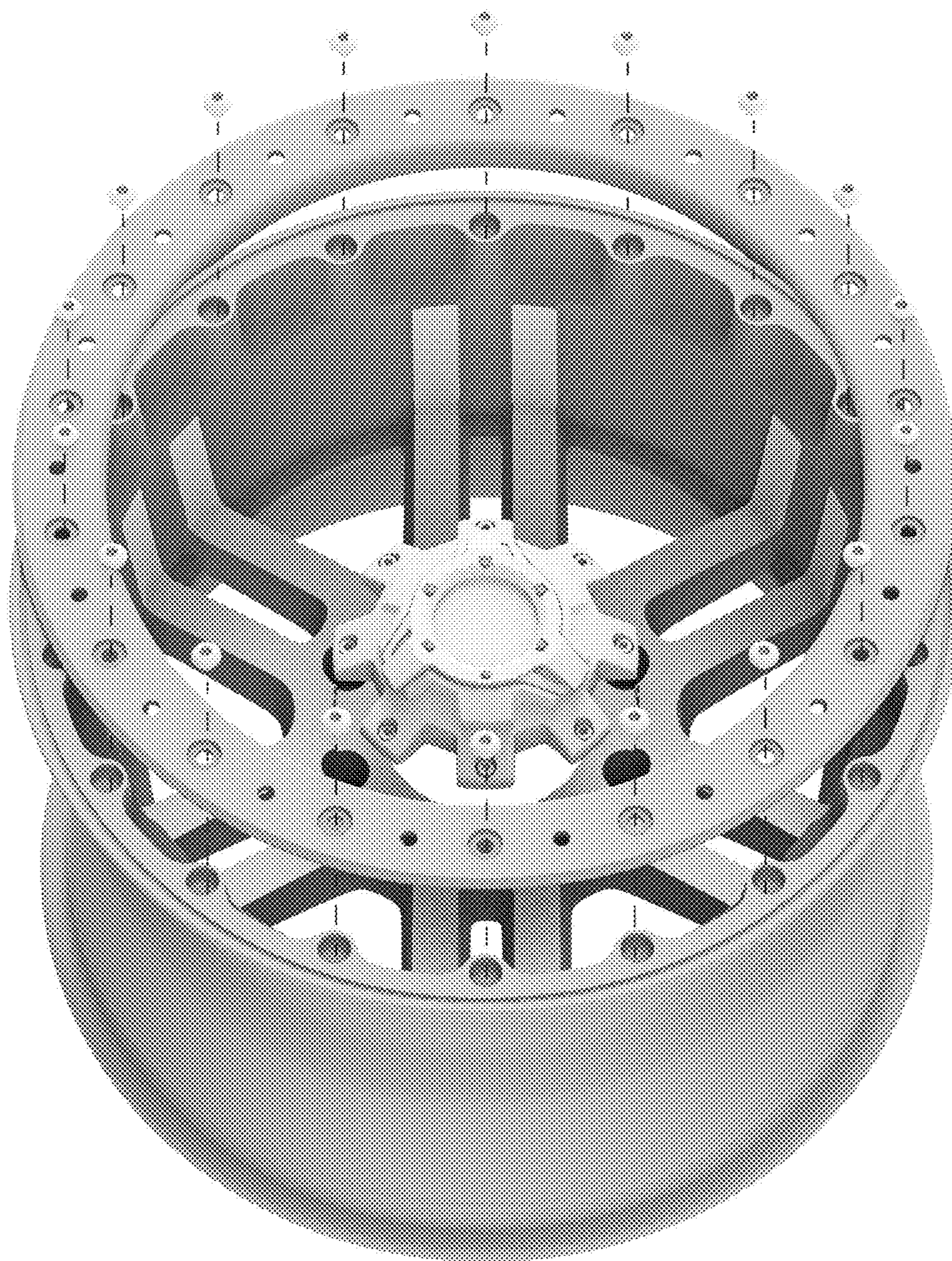


FIGURE 10