



US00D797028S

(12) **United States Design Patent**  
**Chung**

(10) **Patent No.:** **US D797,028 S**

(45) **Date of Patent:** **\*\* Sep. 12, 2017**

(54) **AUTOMOTIVE WHEEL**

(71) Applicant: **Suny Chung**, Anaheim, CA (US)

(72) Inventor: **Suny Chung**, Anaheim, CA (US)

(\*\*) Term: **15 Years**

(21) Appl. No.: **29/538,589**

(22) Filed: **Sep. 4, 2015**

(51) **LOC (10) Cl.** ..... **12-16**

(52) **U.S. Cl.**  
USPC ..... **D12/211**

(58) **Field of Classification Search**  
USPC ..... D12/204–213  
CPC .... B60B 7/00; B60B 7/02; B60B 7/04; B60B  
7/01; B60B 7/06; B60B 3/02; B60B 3/04;  
B60B 3/06; B60B 3/10; B60B 1/00;  
B60B 1/08; B60B 1/10; B60B 1/12  
See application file for complete search history.

(56) **References Cited**

**U.S. PATENT DOCUMENTS**

D410,618 S	*	6/1999	Hussaini	.....	D12/211
D531,104 S	*	10/2006	Kim	.....	D12/209
D544,823 S	*	6/2007	Hieke	.....	D12/211
D553,550 S	*	10/2007	Tirado	.....	D12/211
D584,674 S	*	1/2009	Chung	.....	D12/211
D596,549 S	*	7/2009	Varga	.....	D12/211
D604,221 S	*	11/2009	Krisch	.....	D12/211
D619,073 S	*	7/2010	Groom	.....	D12/211
D628,137 S	*	11/2010	Groom	.....	D12/211
D630,567 S	*	1/2011	Ettensberger	.....	D12/211
D635,906 S	*	4/2011	Futschik	.....	D12/211

D649,104 S	*	11/2011	Gallert	.....	D12/211
D649,922 S	*	12/2011	Hans	.....	D12/211
D656,879 S	*	4/2012	Gallert	.....	D12/211
D659,071 S	*	5/2012	Hale, Jr.	.....	D12/211
D666,547 S	*	9/2012	Hilpert	.....	D12/211
D703,602 S	*	4/2014	Kern	.....	D12/211
D706,199 S	*	6/2014	Chung	.....	D12/211
D726,623 S	*	4/2015	Alfonso	.....	D12/211
D727,826 S	*	4/2015	Chung	.....	D12/211
D731,944 S	*	6/2015	Kern	.....	D12/211
D746,210 S	*	12/2015	Dilber	.....	D12/211
D746,755 S	*	1/2016	Mielke	.....	D12/211
D748,033 S	*	1/2016	Carter	.....	D12/211
D749,485 S	*	2/2016	Gallert	.....	D12/211
D755,104 S	*	5/2016	Chu	.....	D12/211
D756,285 S	*	5/2016	Zhao	.....	D12/211
D758,277 S	*	6/2016	Alfonso	.....	D12/211
D778,222 S	*	2/2017	Chung	.....	D12/211
D780,664 S	*	3/2017	Gallert	.....	D12/211
D789,865 S	*	6/2017	Giolito	.....	D12/211

\* cited by examiner

*Primary Examiner* — Stacia Cadmus

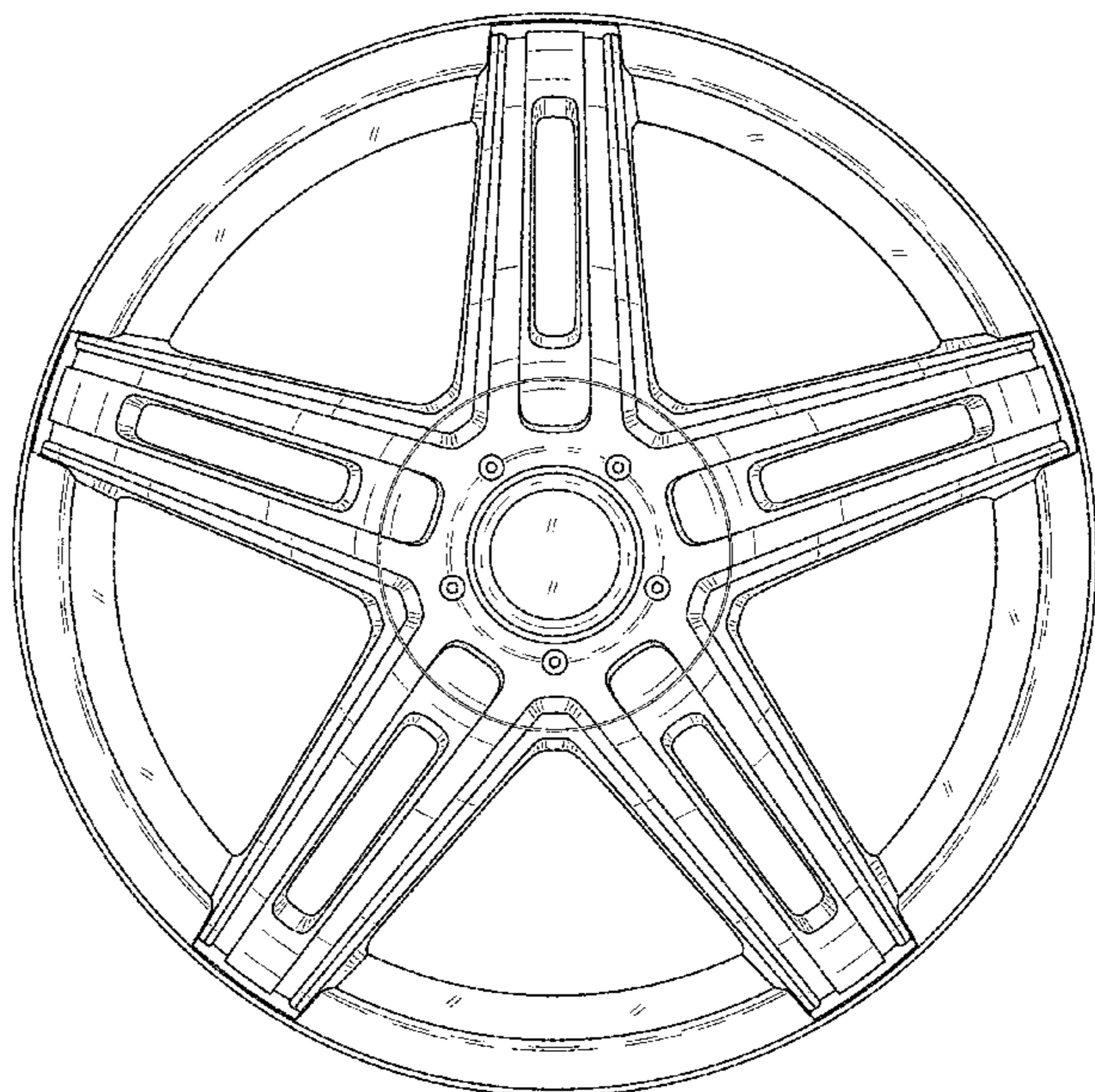
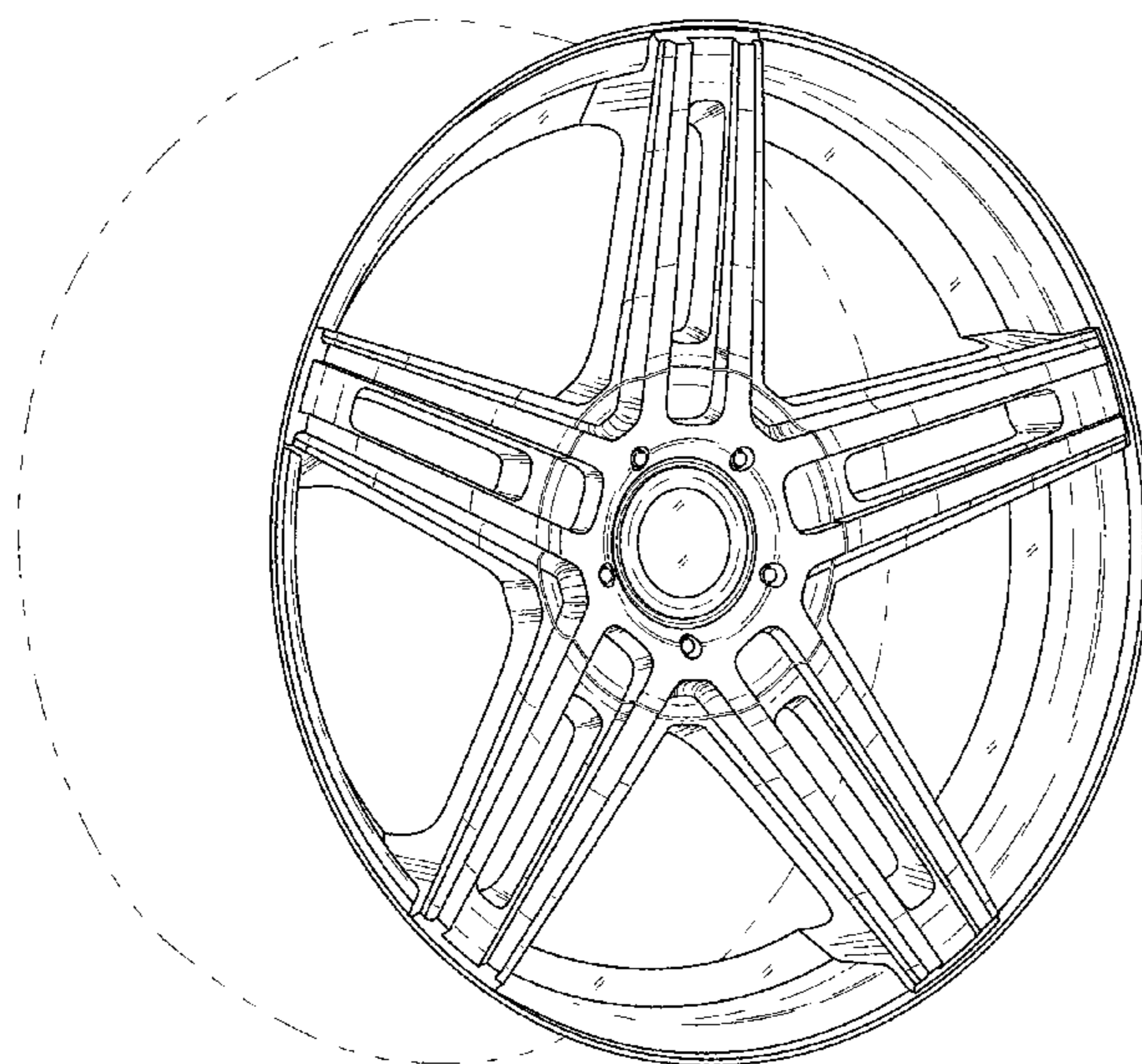
(57) **CLAIM**

The ornamental design for an automotive wheel, as shown and described.

**DESCRIPTION**

FIG. 1 is a perspective view of an automotive wheel, showing my new design; and, FIG. 2 is a front view thereof. The broken line showing of the rear portion of the wheel is included for the purpose of illustrating environment and forms no part of the claimed design.

**1 Claim, 2 Drawing Sheets**



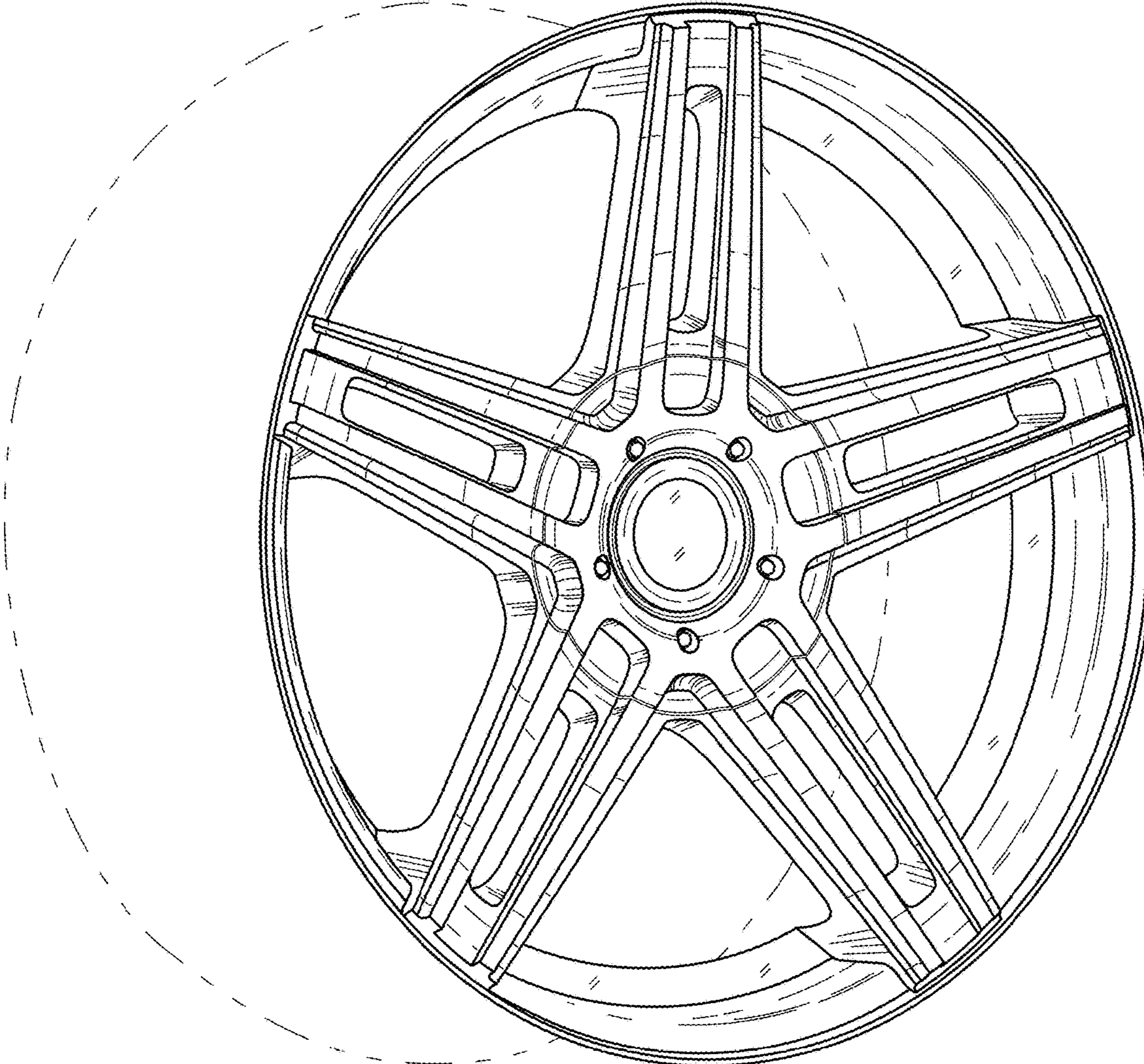


FIGURE 1



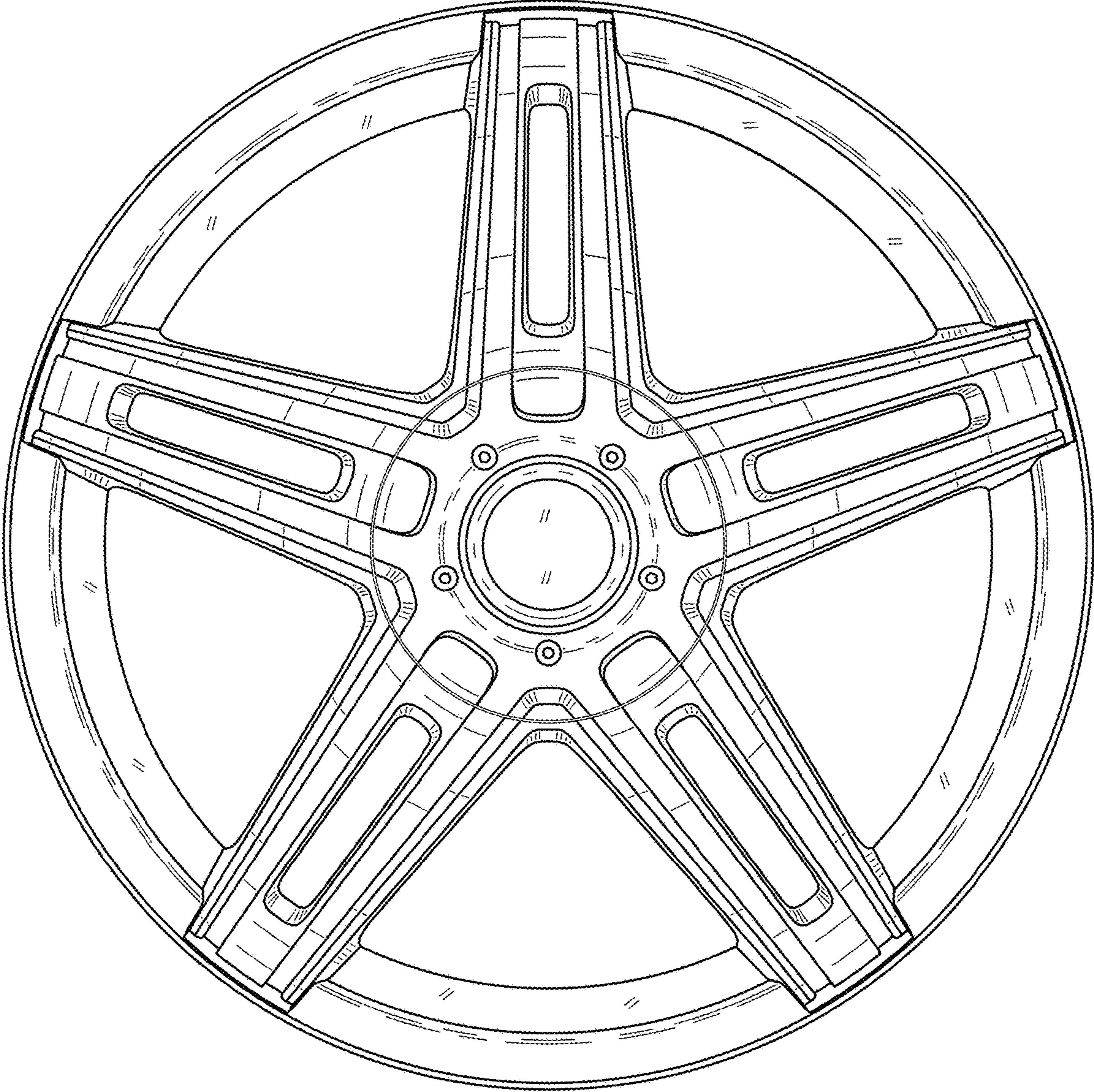


FIGURE 2