



US00D797027S

(12) **United States Design Patent**  
**Guo**

(10) **Patent No.:** **US D797,027 S**

(45) **Date of Patent:** **\*\* Sep. 12, 2017**

(54) **VEHICLE WHEEL RIM**

(71) Applicant: **Euro Racing Wheels, LLC**, San Francisco, CA (US)

(72) Inventor: **Yong Gang Guo**, Temple City, CA (US)

(73) Assignee: **TXW WHEELS INC**, Walnut, CA (US)

(\*\*) Term: **15 Years**

(21) Appl. No.: **29/568,825**

(22) Filed: **Jun. 21, 2016**

(51) **LOC (10) Cl.** ..... **12-16**

(52) **U.S. Cl.**  
USPC ..... **D12/210**

(58) **Field of Classification Search**  
USPC ..... D12/204-213  
CPC .... B60B 7/00; B60B 7/02; B60B 7/04; B60B 7/01; B60B 7/06; B60B 3/02; B60B 3/04; B60B 3/06; B60B 3/10; B60B 1/00; B60B 1/08; B60B 1/10; B60B 1/12  
See application file for complete search history.

(56) **References Cited**

**U.S. PATENT DOCUMENTS**

D361,975 S \* 9/1995 Weld ..... D12/209  
D427,961 S \* 7/2000 Donikoglu ..... D12/210

D430,094 S \* 8/2000 Hale, Jr. .... D12/210  
D436,910 S \* 1/2001 Hale, Jr. .... D12/210  
D486,109 S \* 2/2004 Singer ..... D12/210  
D515,002 S \* 2/2006 Looho ..... D12/210  
D562,752 S \* 2/2008 Chung ..... D12/209  
D572,648 S \* 7/2008 Musser ..... D12/210  
D576,535 S \* 9/2008 Chung ..... D12/209  
D593,475 S \* 6/2009 Chung ..... D12/210  
D680,938 S \* 4/2013 Hale, Jr. .... D12/210  
D698,298 S \* 1/2014 Cortes ..... D12/210  
D701,156 S \* 3/2014 McFarlin ..... D12/210

\* cited by examiner

*Primary Examiner* — Stacia Cadmus

(74) *Attorney, Agent, or Firm* — Michael F. Fedrick; Loza & Loza, LLP

(57) **CLAIM**

The ornamental design for a vehicle wheel rim, as shown and described.

**DESCRIPTION**

FIG. 1 is a front view of the vehicle wheel rim of the present invention;  
FIG. 2 is a front, right side perspective view thereof;  
FIG. 3 is a front, left side perspective view thereof;  
FIG. 4 is a front, bottom perspective view thereof; and,  
FIG. 5 is a side view thereof.

**1 Claim, 5 Drawing Sheets**

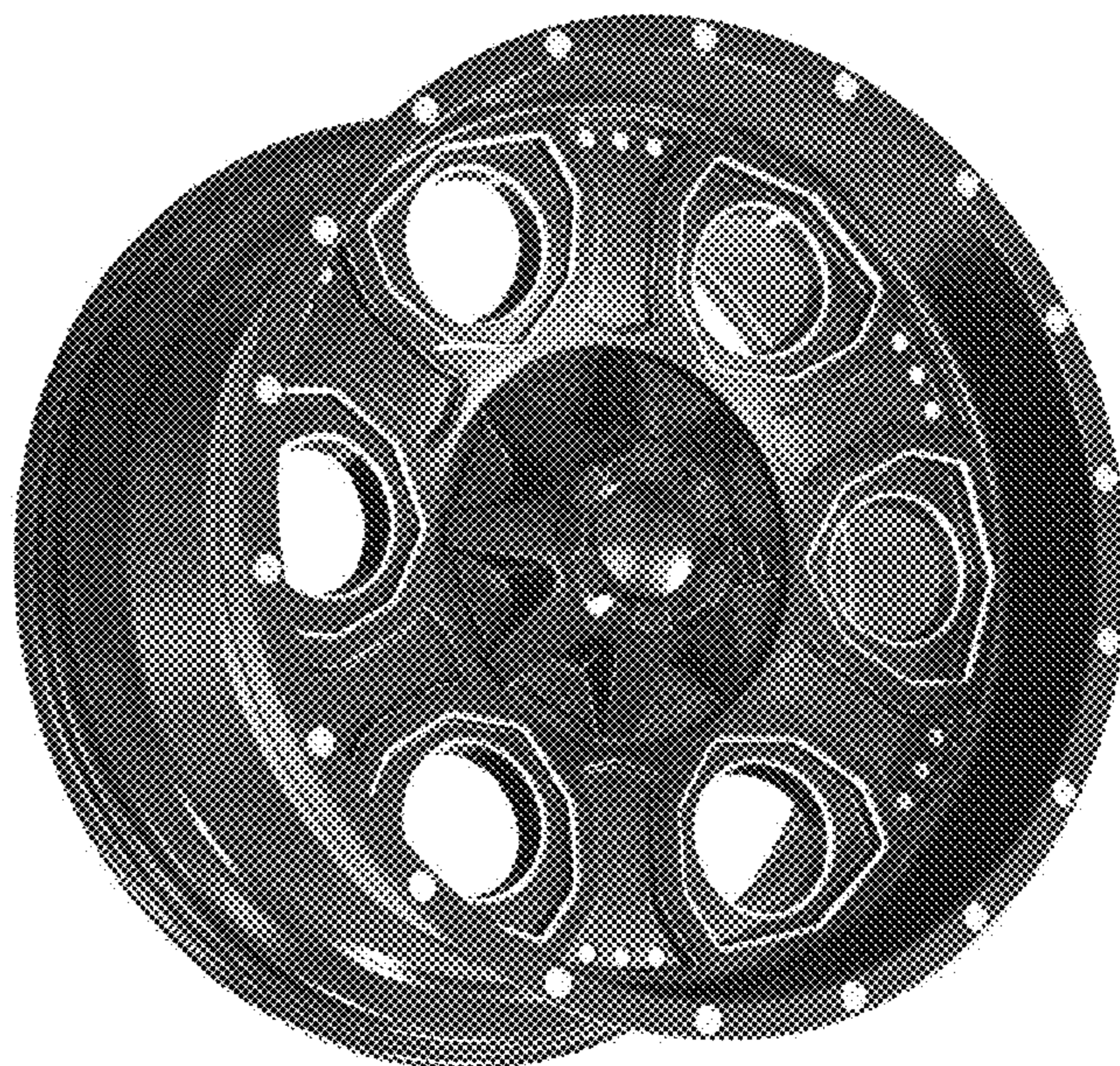
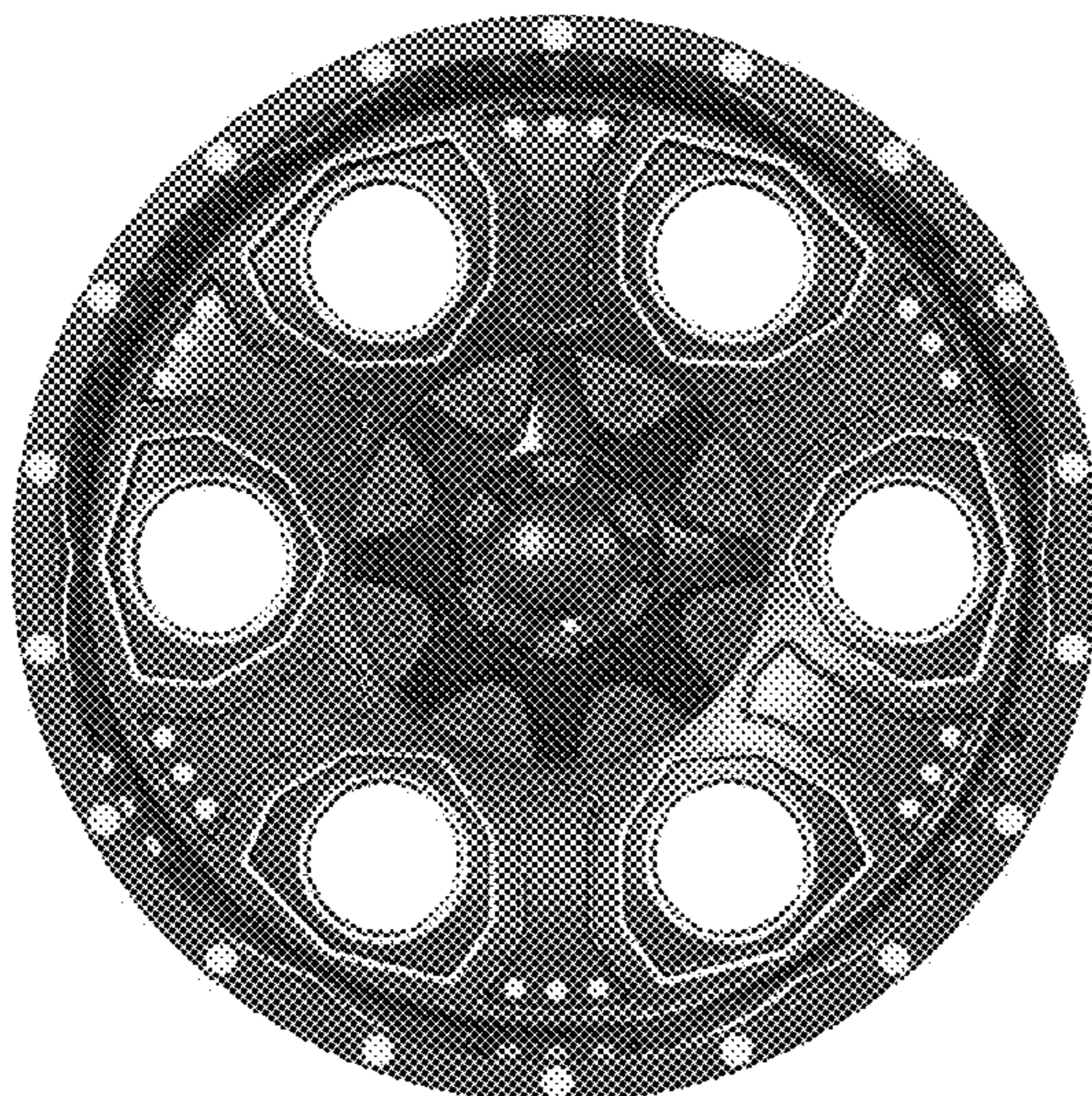


Figure 1



Figure 2



Figure 3



Figure 4



Figure 5

