



US00D797024S

(12) **United States Design Patent**
Ariga

(10) **Patent No.:** **US D797,024 S**

(45) **Date of Patent:** **** Sep. 12, 2017**

(54) **WHEEL FOR AN AUTOMOBILE**

(71) Applicant: **Fuji Jukogyo Kabushiki Kaisha,**
Tokyo (JP)

(72) Inventor: **Tatsuma Ariga,** Tokyo (JP)

(73) Assignee: **Subaru Corporation,** Tokyo (JP)

(**) Term: **15 Years**

(21) Appl. No.: **29/556,014**

(22) Filed: **Feb. 26, 2016**

(30) **Foreign Application Priority Data**

Aug. 26, 2015 (JP) 2015-018716

(51) **LOC (10) Cl.** **12-16**

(52) **U.S. Cl.**
USPC **D12/209**

(58) **Field of Classification Search**
USPC D12/204–213
CPC B60B 7/00; B60B 7/02; B60B 7/04; B60B
7/01; B60B 7/06; B60B 3/02; B60B 3/04;
B60B 3/06; B60B 3/10; B60B 1/00;
B60B 1/08; B60B 1/10; B60B 1/12
See application file for complete search history.

(56) **References Cited**

U.S. PATENT DOCUMENTS

D386,138 S	*	11/1997	Chen	D12/209
D446,492 S	*	8/2001	Brintouch	D12/209
D494,915 S	*	8/2004	Wang	D12/209
D497,861 S	*	11/2004	Brintouch	D12/209
D581,337 S	*	11/2008	Juergens	D12/209
D630,146 S	*	1/2011	Finnie	D12/211

D631,812 S	*	2/2011	Juergens	D12/209
D671,474 S	*	11/2012	Juergens	D12/209
D671,478 S	*	11/2012	Baum	D12/209
D681,530 S	*	5/2013	Zhang	D12/209
D695,184 S	*	12/2013	Pollmann	D12/209
D705,714 S	*	5/2014	Hanaoka	D12/209
D714,204 S	*	9/2014	Garbas	D12/204
D739,803 S	*	9/2015	Miansian	D12/209
D744,401 S	*	12/2015	Back	D12/209
D744,927 S	*	12/2015	Morgenstern	D12/209
D751,021 S	*	3/2016	Vaya	D12/211
D763,159 S	*	8/2016	Valencia Pollex	D12/209

* cited by examiner

Primary Examiner — Stacia Cadmus

(74) *Attorney, Agent, or Firm* — Schiff Hardin LLP

(57) **CLAIM**

The ornamental design for a wheel for an automobile, as shown and described.

DESCRIPTION

FIG. 1 is a front perspective view for a “wheel for an automobile” showing my new design.
FIG. 2 is a front view thereof,
FIG. 3 is a rear view thereof,
FIG. 4 is a top view thereof,
FIG. 5 is a bottom view thereof,
FIG. 6 is a left-side view thereof,
FIG. 7 is a right-side view thereof; and,
FIG. 8 is an enlarged view taken along the line 8-8 of FIG. 2 and the line 8-8 of FIG. 4 thereof.
In the drawings, the rear view is shown in a lighter gray scale representing environmental subject matter that forms no part of the claimed design.

1 Claim, 7 Drawing Sheets

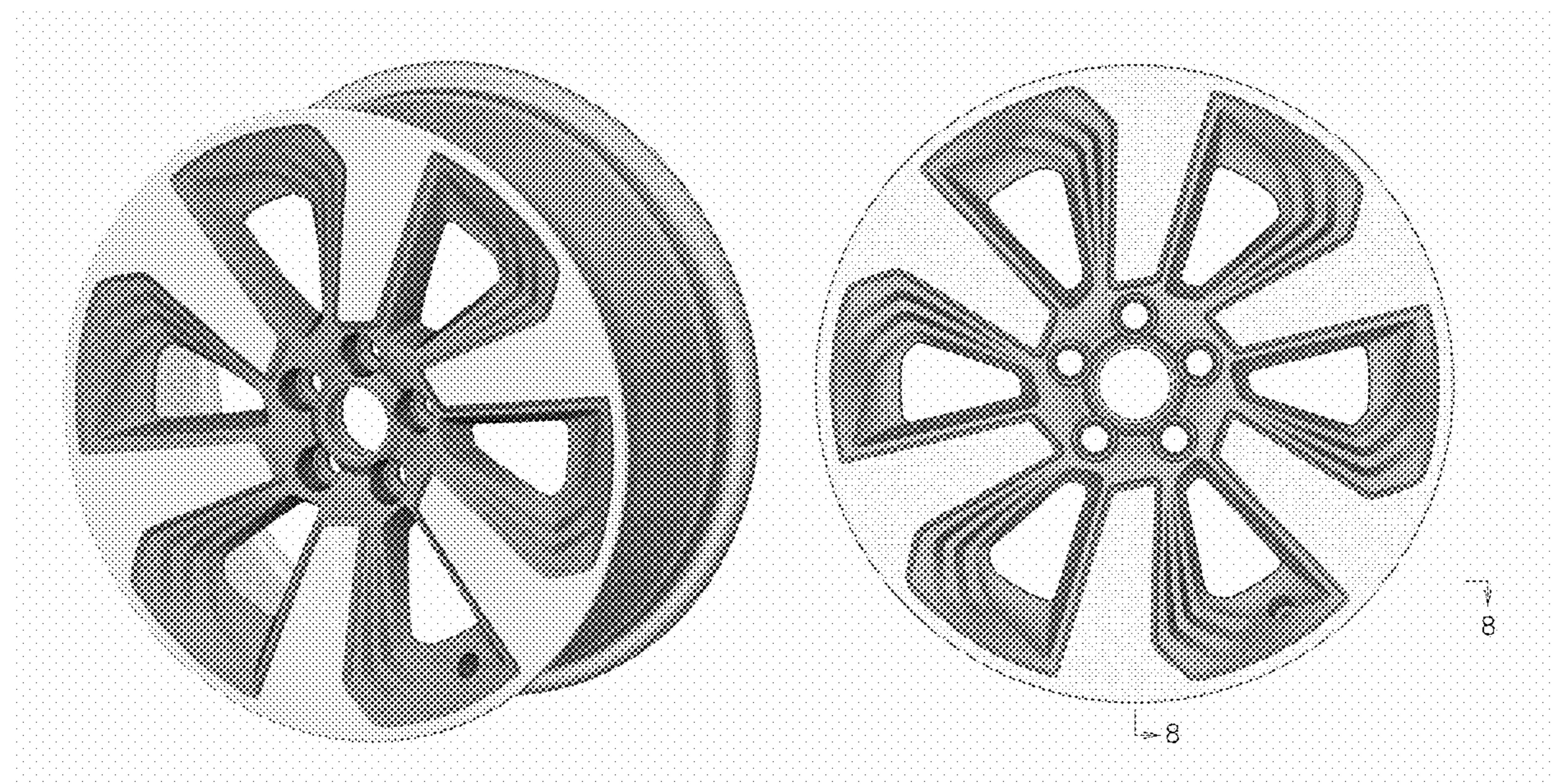


Fig. 1



Fig. 2

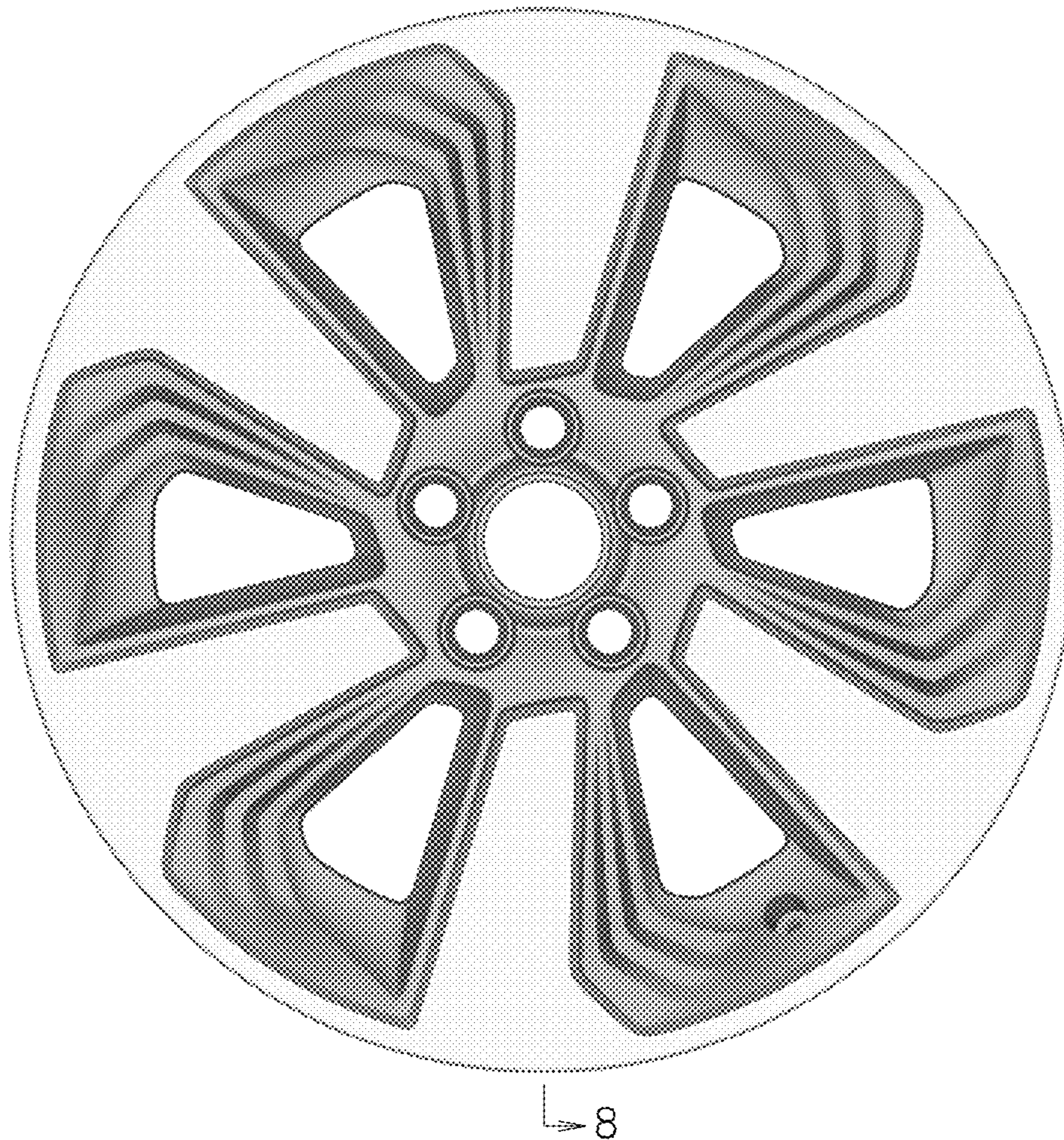


Fig. 3

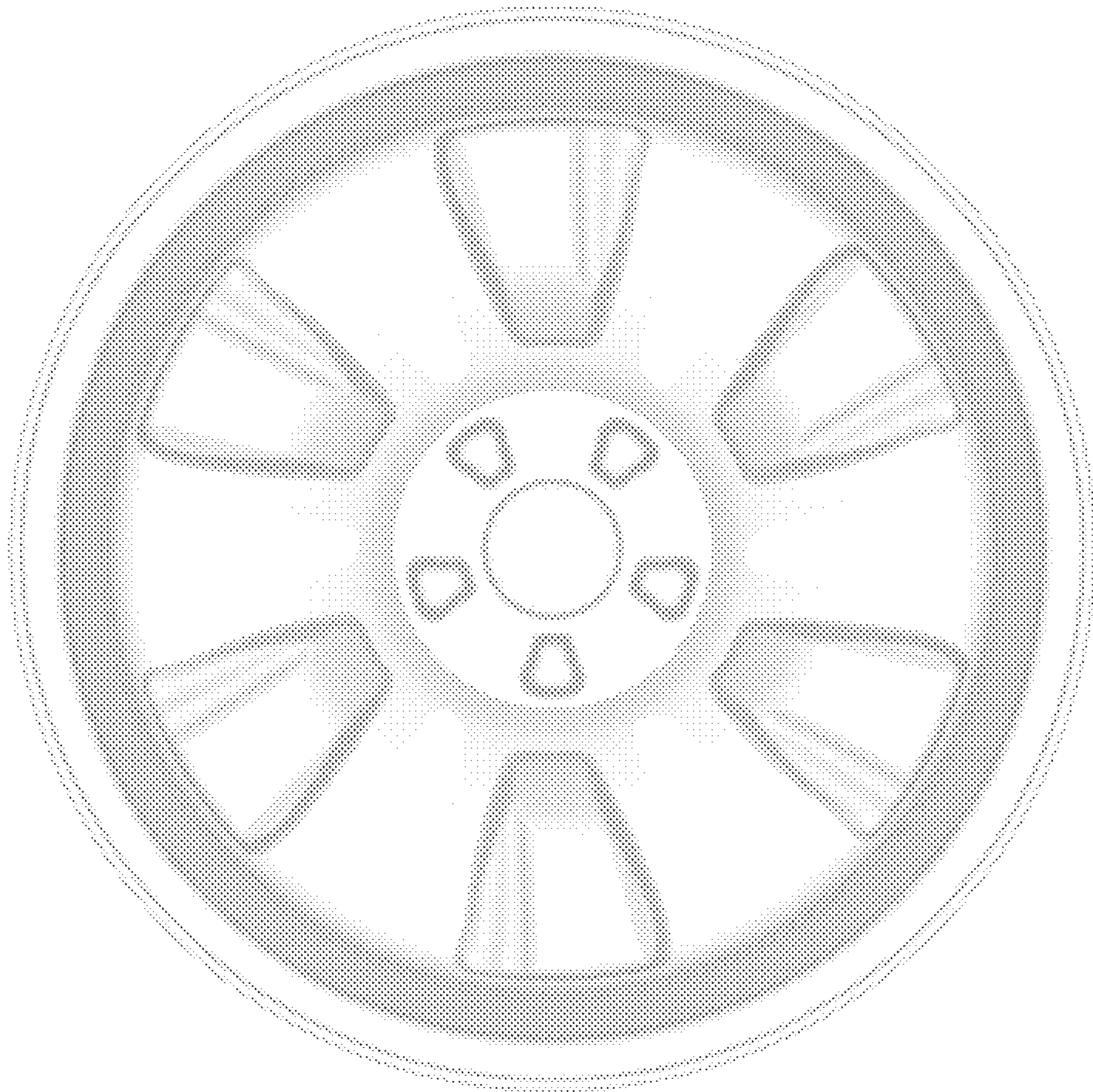


Fig. 4

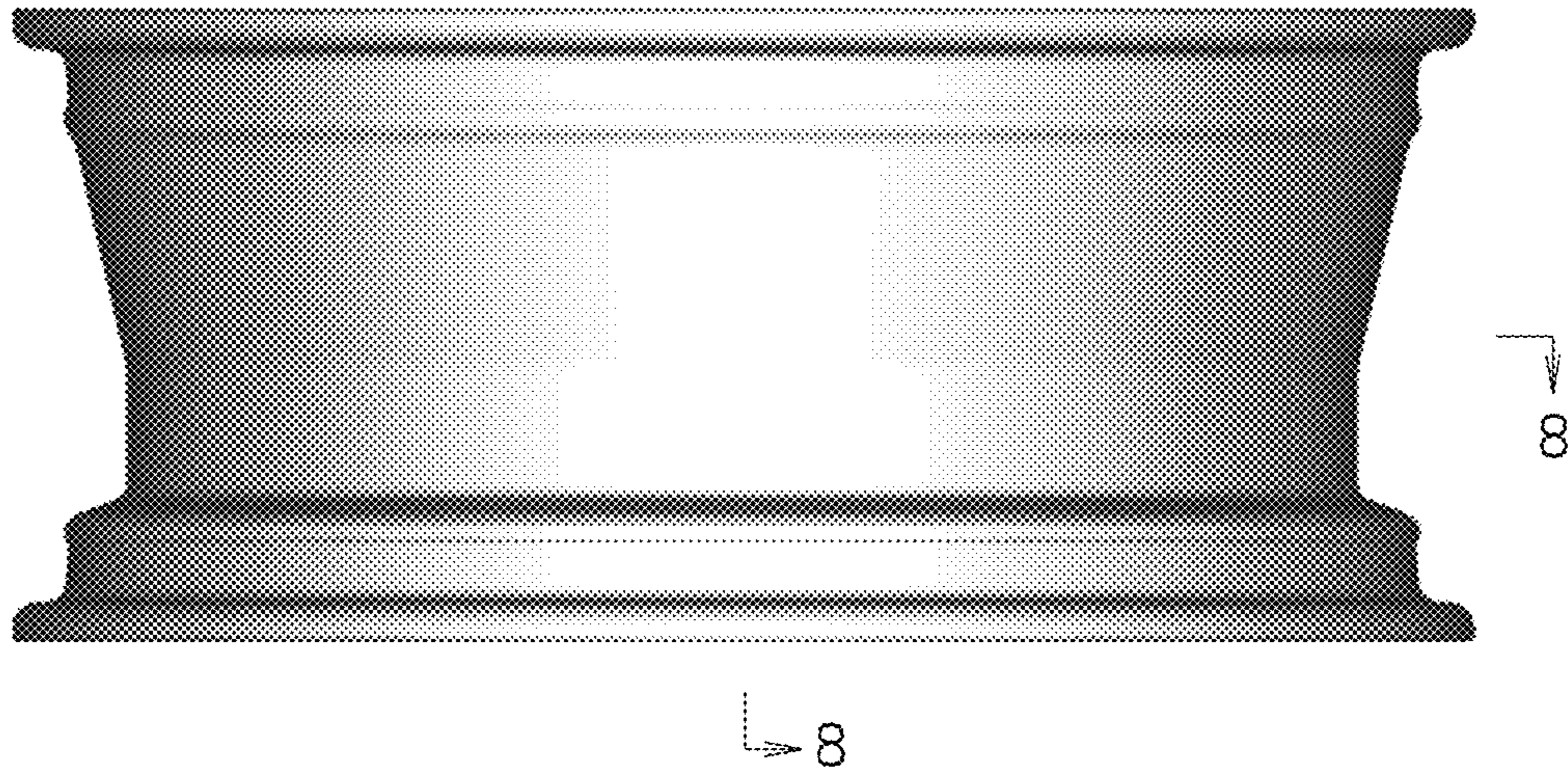


Fig. 5

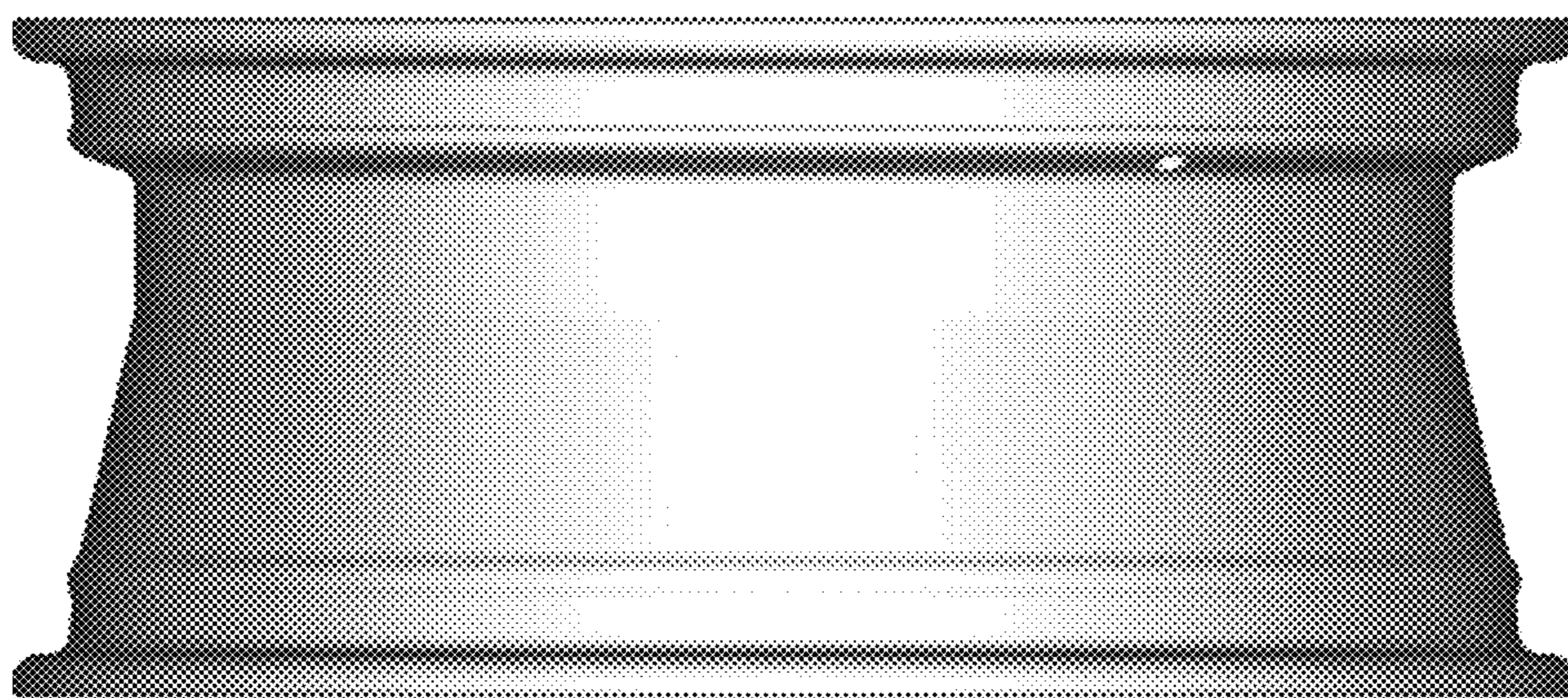


Fig. 6

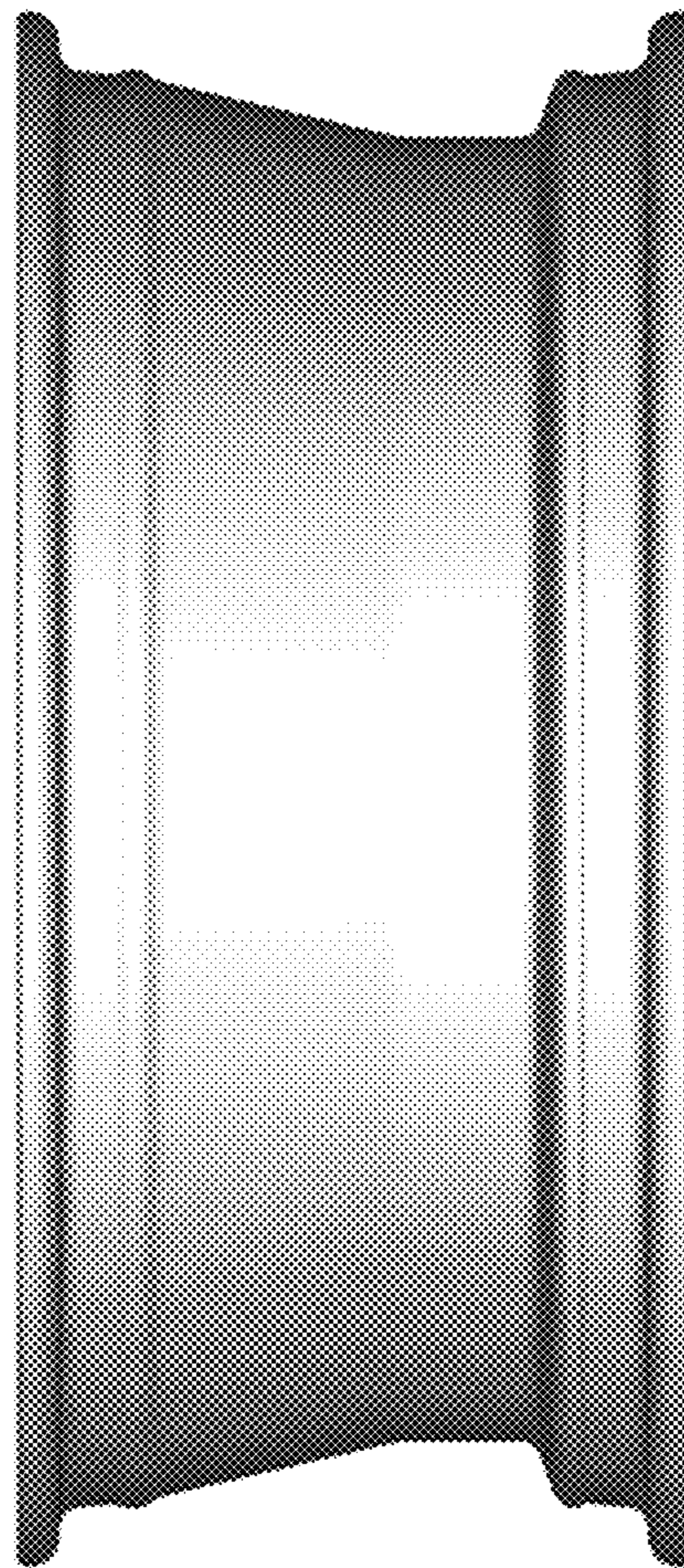


Fig. 7

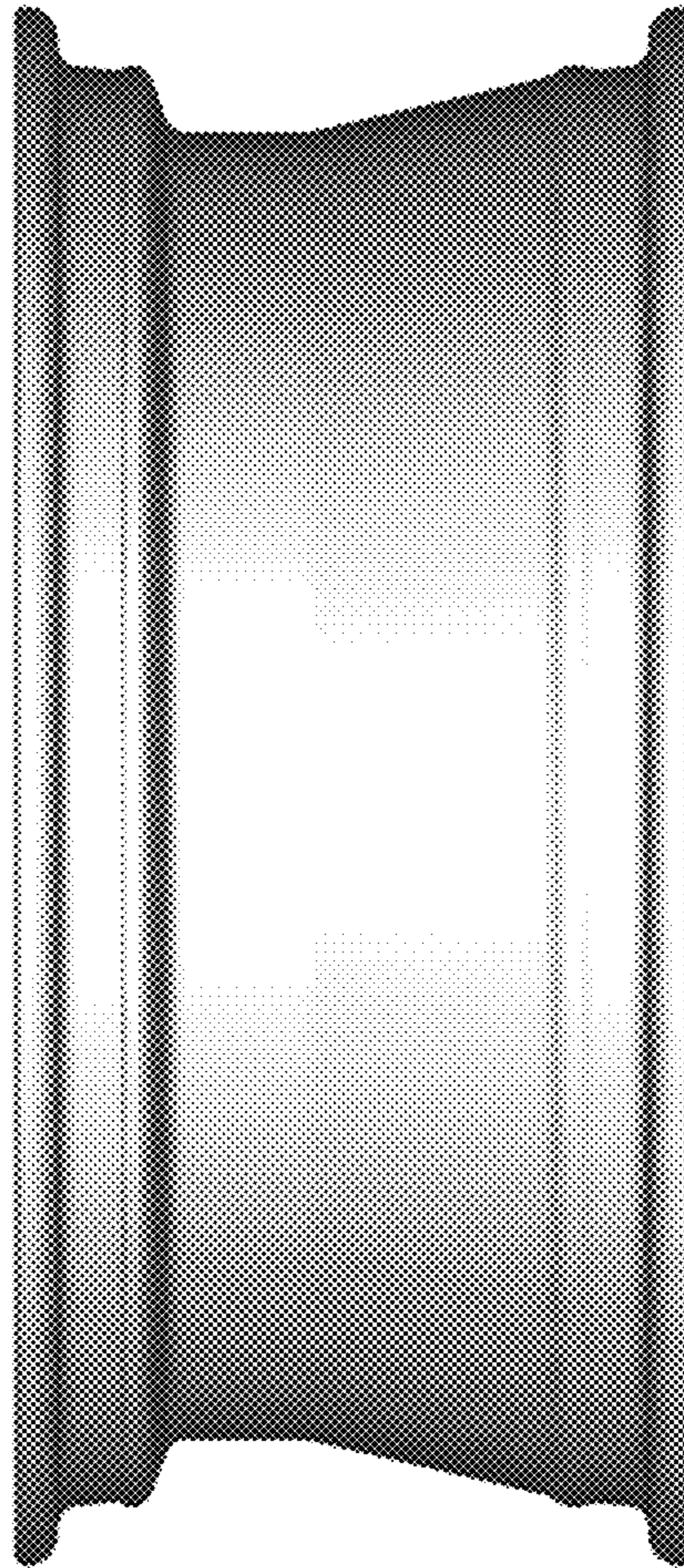


Fig. 8

