



US00D797019S

(12) **United States Design Patent** (10) **Patent No.:** **US D797,019 S**  
**Yamashita et al.** (45) **Date of Patent:** **\*\* Sep. 12, 2017**

(54) **REAR BUMPER FOR MOTOR VEHICLE**

(71) Applicant: **Dr. Ing. h.c. F. Porsche Aktiengesellschaft, Stuttgart (DE)**

(72) Inventors: **Shuichi Yamashita, Gerlingen (DE); Emanuel Derta, Weissach (DE)**

(73) Assignee: **Dr. Ing. h.c. F. Porsche Aktiengesellschaft, Stuttgart (DE)**

(\*\*) Term: **15 Years**

(21) Appl. No.: **29/577,941**

(22) Filed: **Sep. 16, 2016**

(30) **Foreign Application Priority Data**

Mar. 18, 2016 (DE) ..... 40 2016 100 331

(51) **LOC (10) Cl.** ..... **12-16**

(52) **U.S. Cl.**  
USPC ..... **D12/169**

(58) **Field of Classification Search**  
USPC .... D12/169, 216, 90-92, 86, 171, 196, 163;  
293/102, 113, 115, 117, 120; 296/180.1,  
296/180.2  
CPC ..... B60R 19/02; B60R 19/04; B62D 25/08  
See application file for complete search history.

(56) **References Cited**

**U.S. PATENT DOCUMENTS**

D659,605 S 5/2012 Varga  
D659,608 S 5/2012 Robinson

D682,755 S 5/2013 Robinson  
D695,162 S 12/2013 Scheinhütte  
D712,805 S 9/2014 Murkett  
D749,467 S \* 2/2016 Stopka ..... D12/169  
D753,035 S \* 4/2016 Boniface ..... D12/169  
D753,563 S \* 4/2016 Toriyama ..... D12/169  
D754,040 S 4/2016 Varga  
D764,984 S \* 8/2016 Stopka ..... D12/169  
D778,212 S \* 2/2017 Kozub ..... D12/169  
D789,849 S \* 6/2017 Lee ..... D12/169

\* cited by examiner

*Primary Examiner* — Melody N Brown

(74) *Attorney, Agent, or Firm* — RatnerPrestia

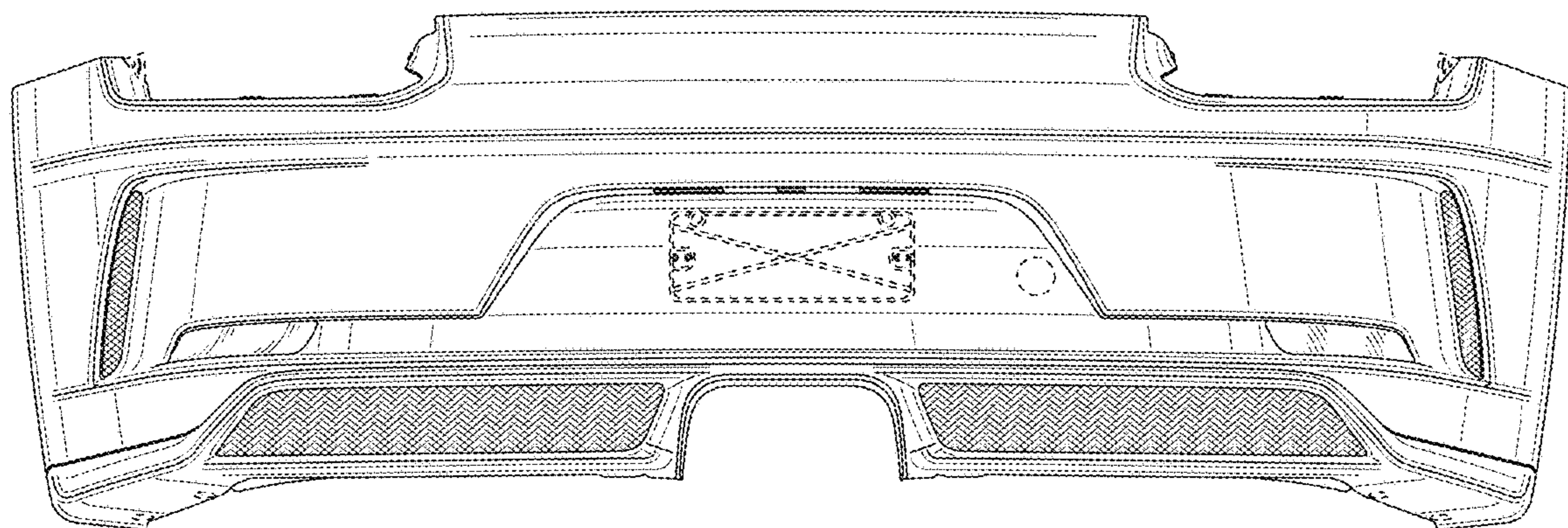
(57) **CLAIM**

The ornamental design for a rear bumper for a motor vehicle, as shown and described.

**DESCRIPTION**

FIG. 1 is a left side perspective view of a rear bumper for a motor vehicle;  
FIG. 2 is a right side perspective view thereof;  
FIG. 3 is a front elevation view thereof;  
FIG. 4 is an elevation view from the right side thereof, the left side being a substantial mirror image thereof; and,  
FIG. 5 is a top plan view thereof.  
The broken line showing of the rear bumper for a motor vehicle is for the purpose of illustrating portions of the rear bumper for a motor vehicle and forms no part of the claimed design.

**1 Claim, 5 Drawing Sheets**



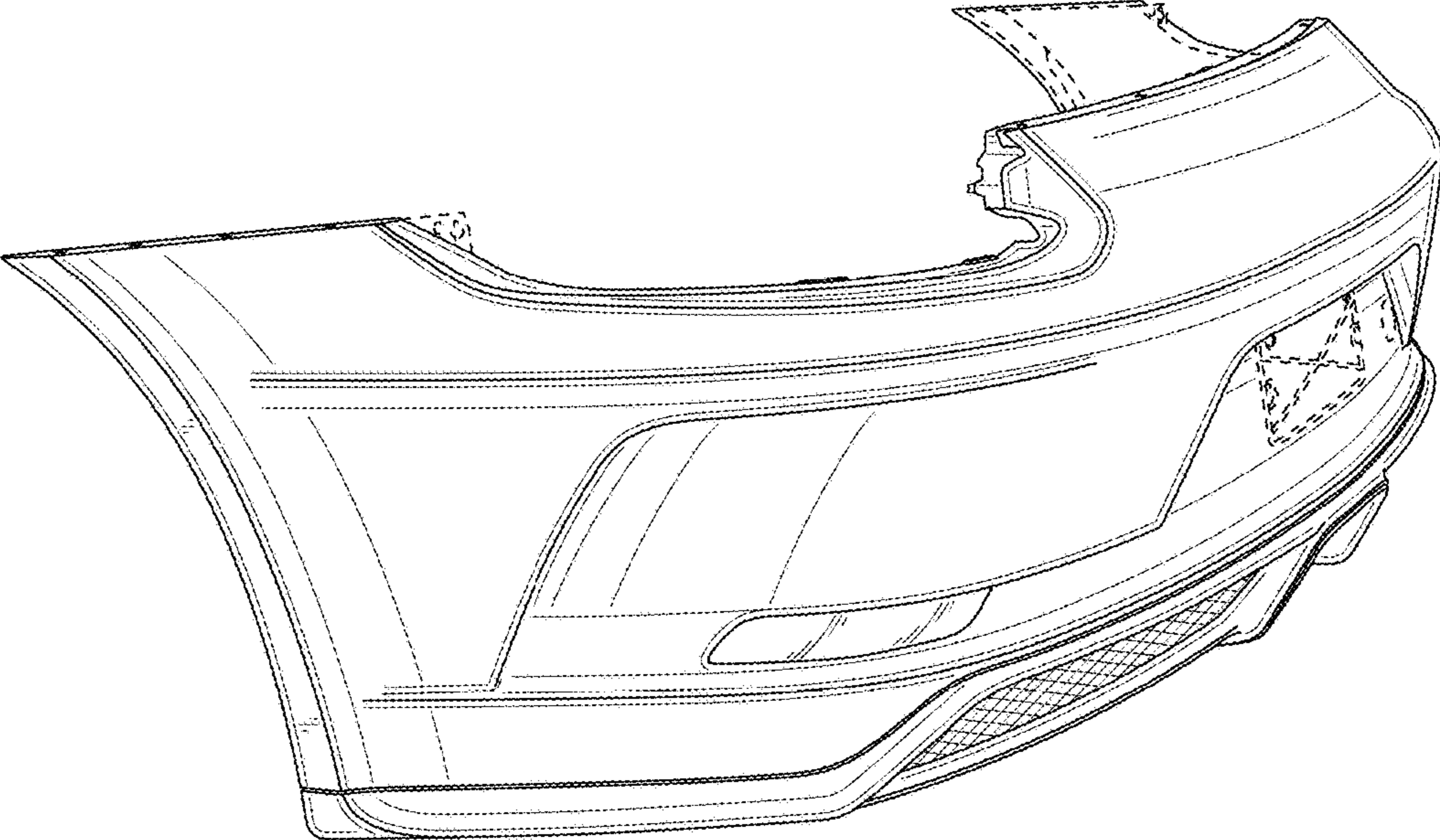


FIG. 1

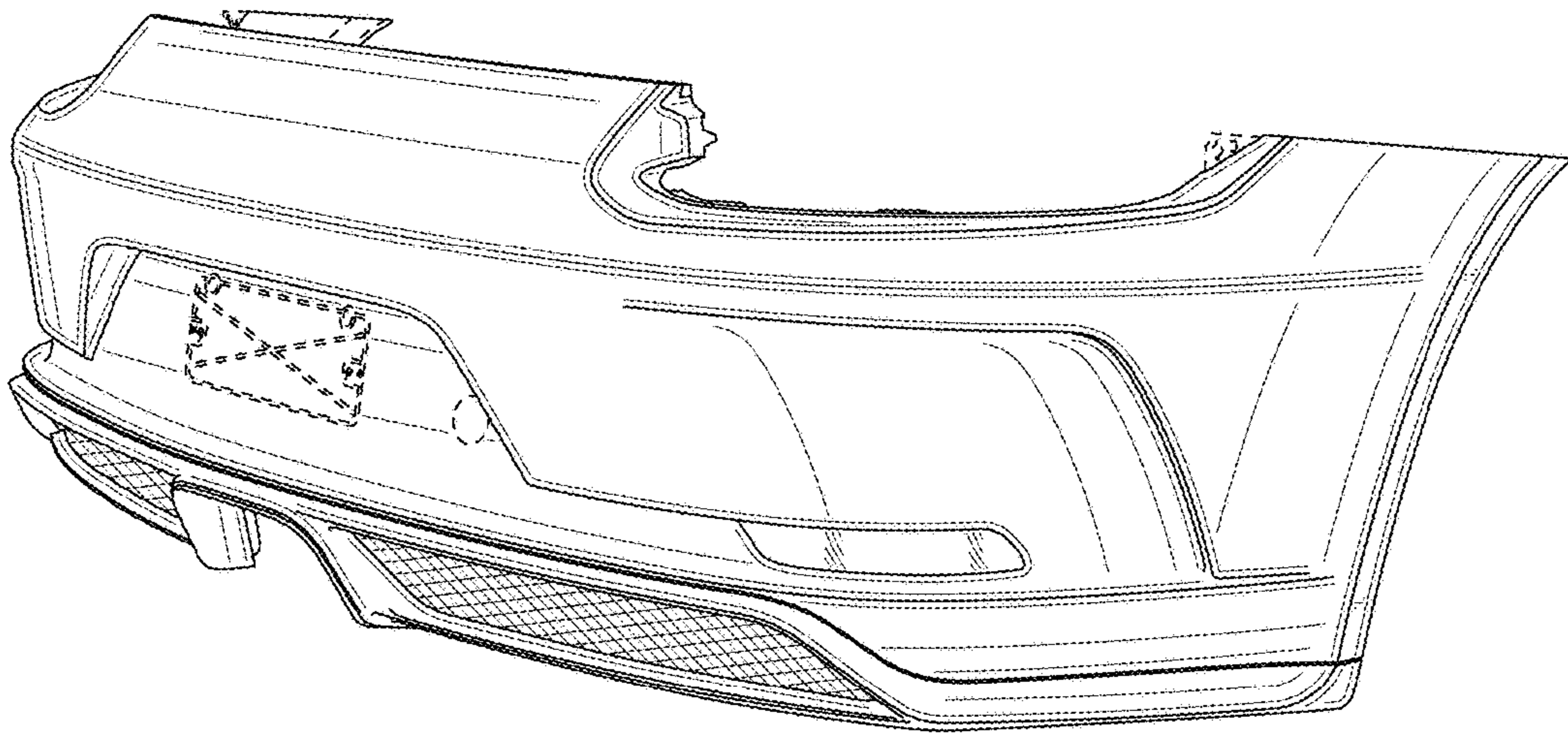


FIG. 2



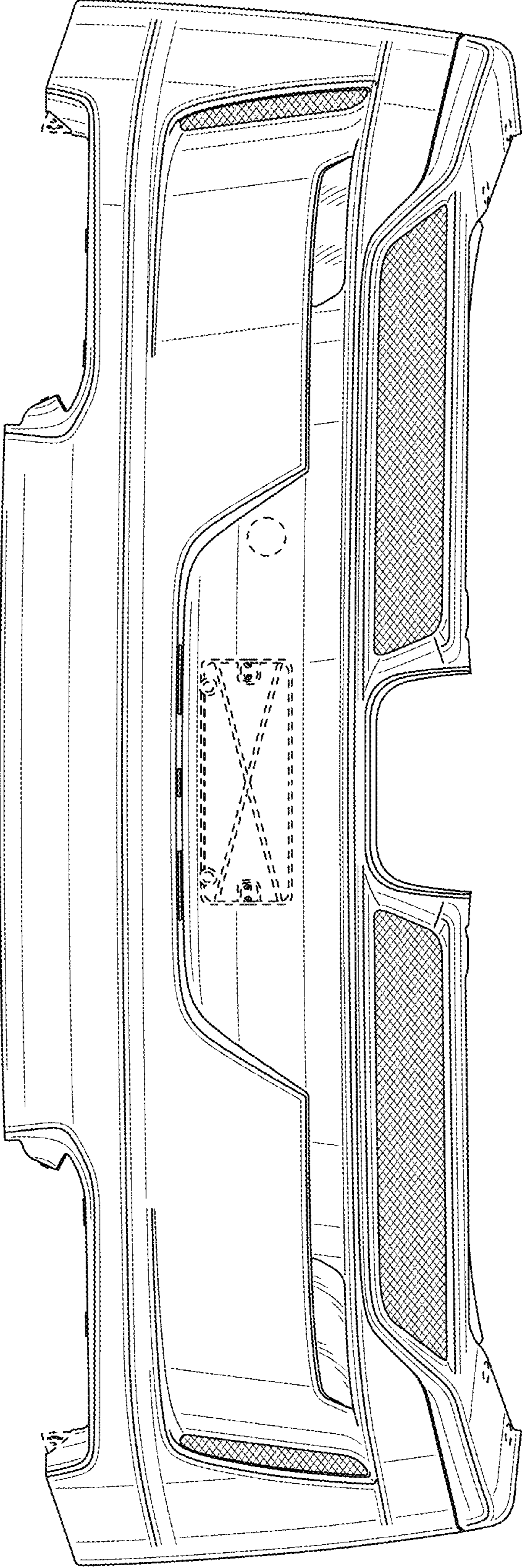


FIG. 3

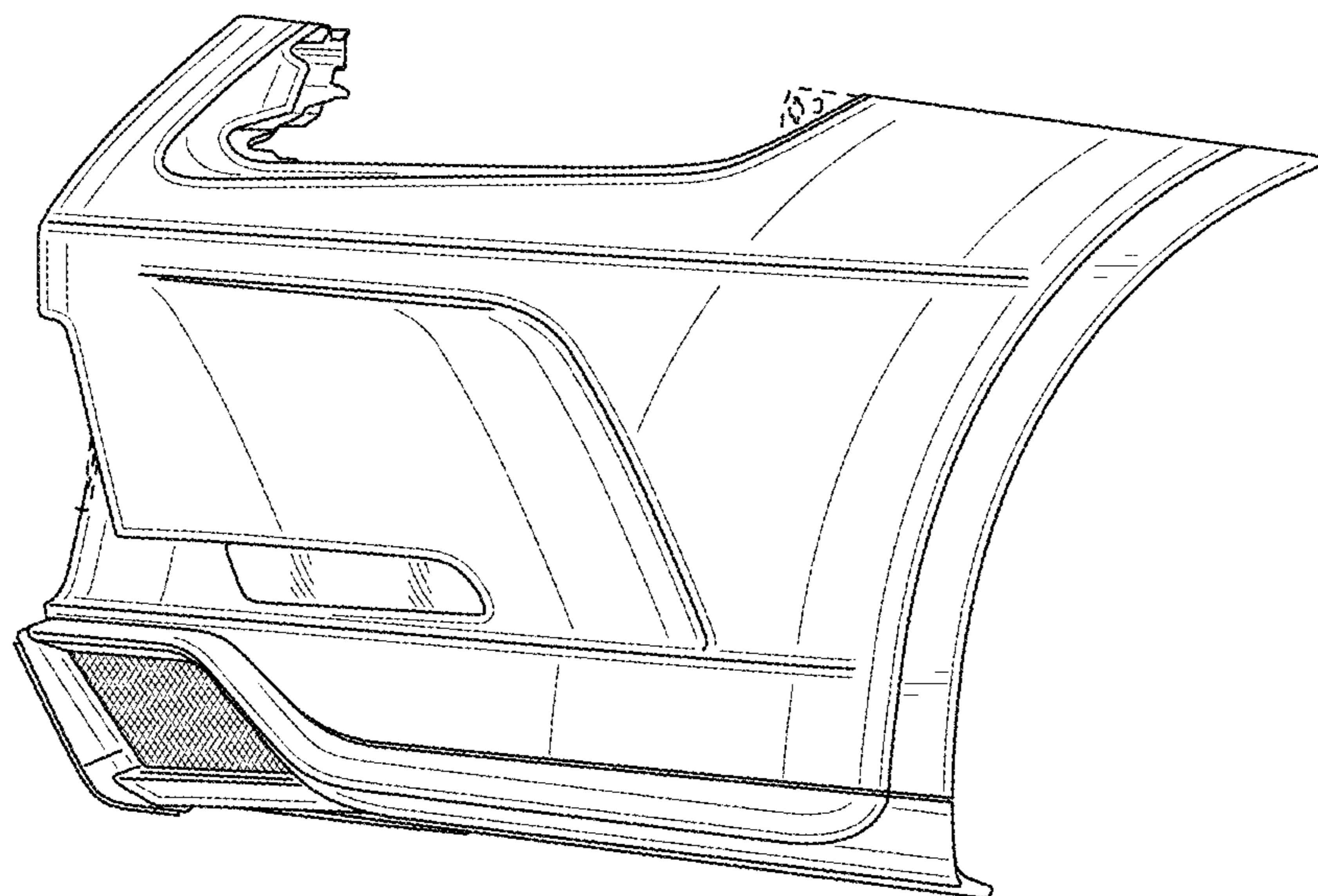


FIG. 4

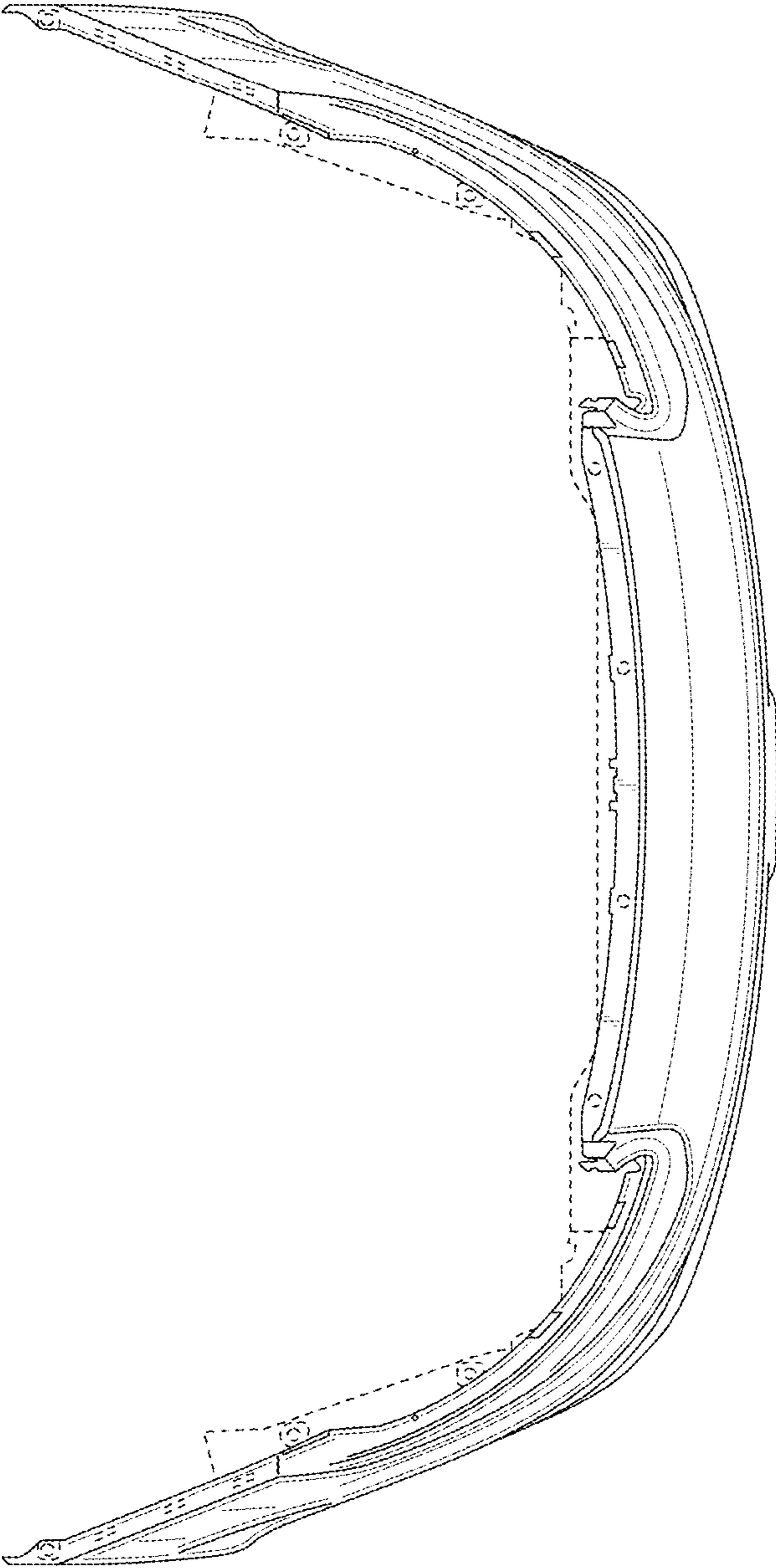


FIG. 5