



US00D797017S

(12) **United States Design Patent**
Henstridge

(10) **Patent No.:** **US D797,017 S**

(45) **Date of Patent:** **** Sep. 12, 2017**

(54) **FRONT END OF A VEHICLE**

(71) Applicant: **Jaguar Land Rover Limited**, Whitley,
Coventry (GB)

(72) Inventor: **Sean Henstridge**, Coventry (GB)

(73) Assignee: **Jaguar Land Rover Limited**, Whitley,
Coventry (GB)

(**) Term: **15 Years**

(21) Appl. No.: **29/556,274**

(22) Filed: **Feb. 29, 2016**

(30) **Foreign Application Priority Data**

Sep. 4, 2015 (EM) 002766733

(51) **LOC (10) Cl.** **12-16**

(52) **U.S. Cl.**
USPC **D12/164**

(58) **Field of Classification Search**
USPC D12/86, 90-92, 164; D21/421, 433, 434;
296/181.1, 181.5

CPC B62D 35/00; B62D 25/00; B62D 25/06;
B62D 25/08; B62D 33/00

See application file for complete search history.

(56) **References Cited**

U.S. PATENT DOCUMENTS

D746,722 S * 1/2016 Henstridge D12/91
D749,996 S * 2/2016 Henstridge D12/164

D750,532 S * 3/2016 Frascella D12/91
D752,481 S * 3/2016 Frascella D12/91
D762,142 S * 7/2016 Battams D12/91
D782,936 S * 4/2017 Wheel D12/91
D782,937 S * 4/2017 Wheel D12/91

* cited by examiner

Primary Examiner — Melody N Brown

(74) *Attorney, Agent, or Firm* — Wood Herron & Evans
LLP

(57) **CLAIM**

The ornamental design for a front end of a vehicle, as shown
and described.

DESCRIPTION

FIG. 1 is a right, front perspective view of a front end a
vehicle showing my new design;

FIG. 2 is a left, rear perspective view thereof;

FIG. 3 is a front view thereof.

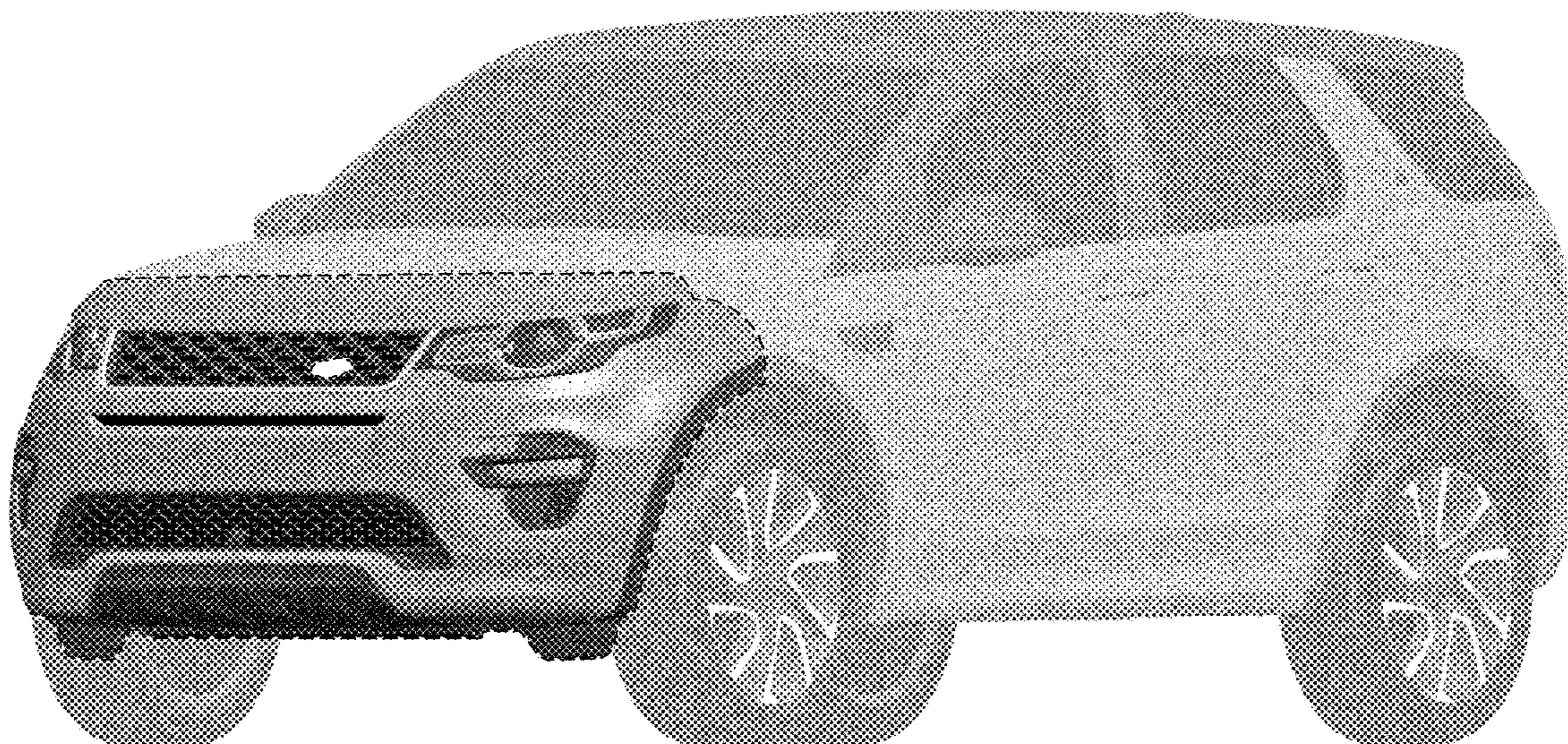
FIG. 4 is a left side view thereof.

FIG. 5 is a right side view thereof; and,

FIG. 6 is a top view thereof.

The portions of the vehicle front end shown throughout the
drawing views in de-emphasized and half-tone portions
outside the broken lines and the broken lines representing
the boundary and configuration of what is claimed as the
design are for environmental and illustrative purposes only
and form no part of the claimed design.

1 Claim, 6 Drawing Sheets



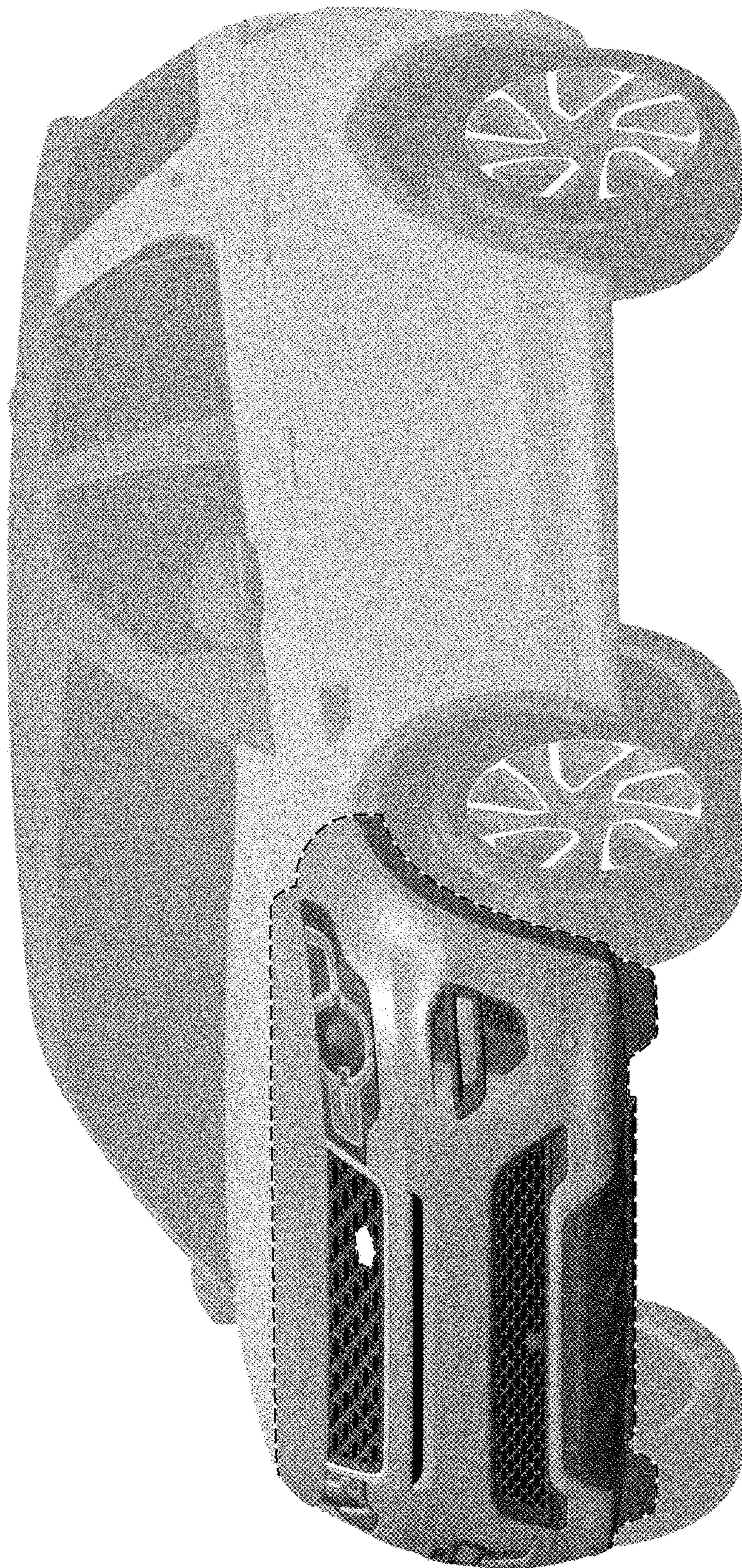


FIG. 1

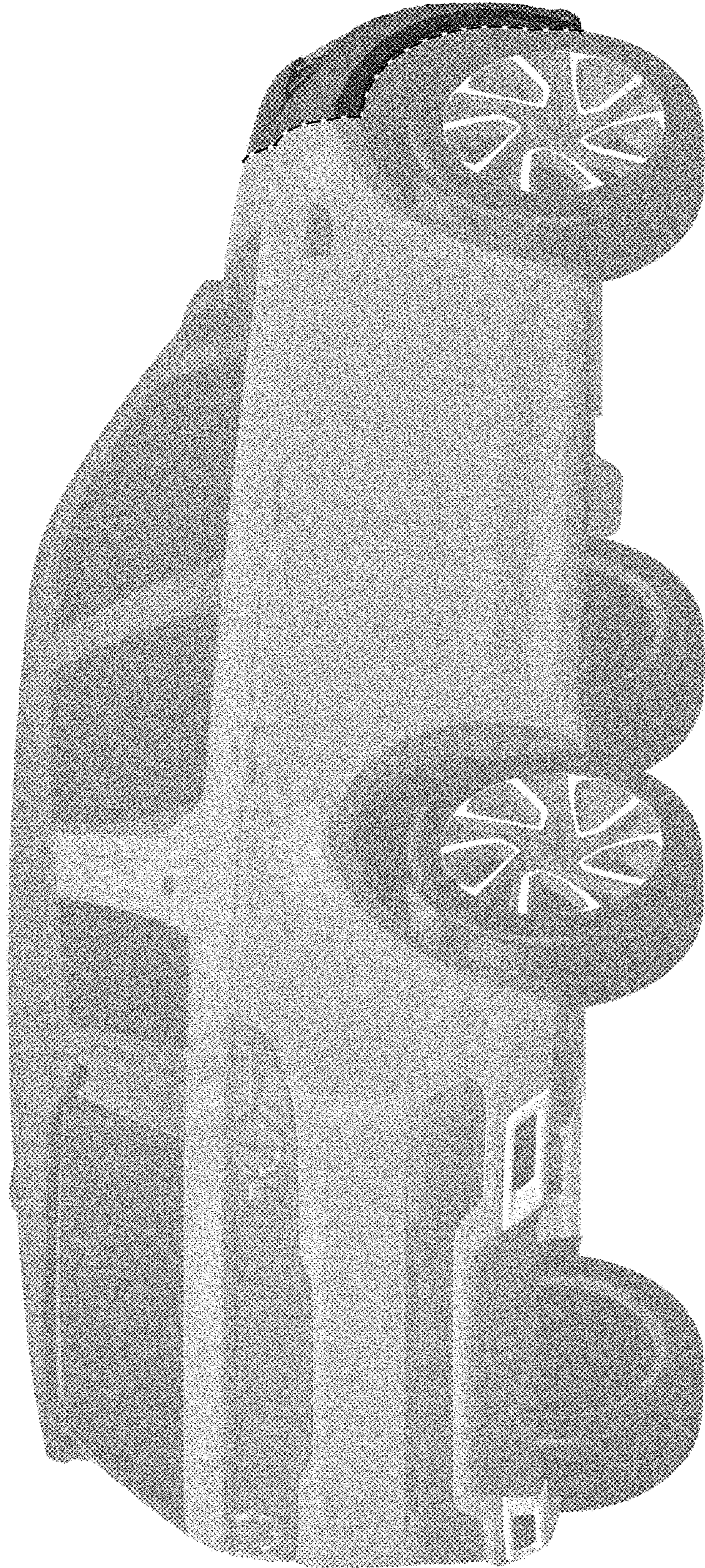


FIG. 2



FIG. 3

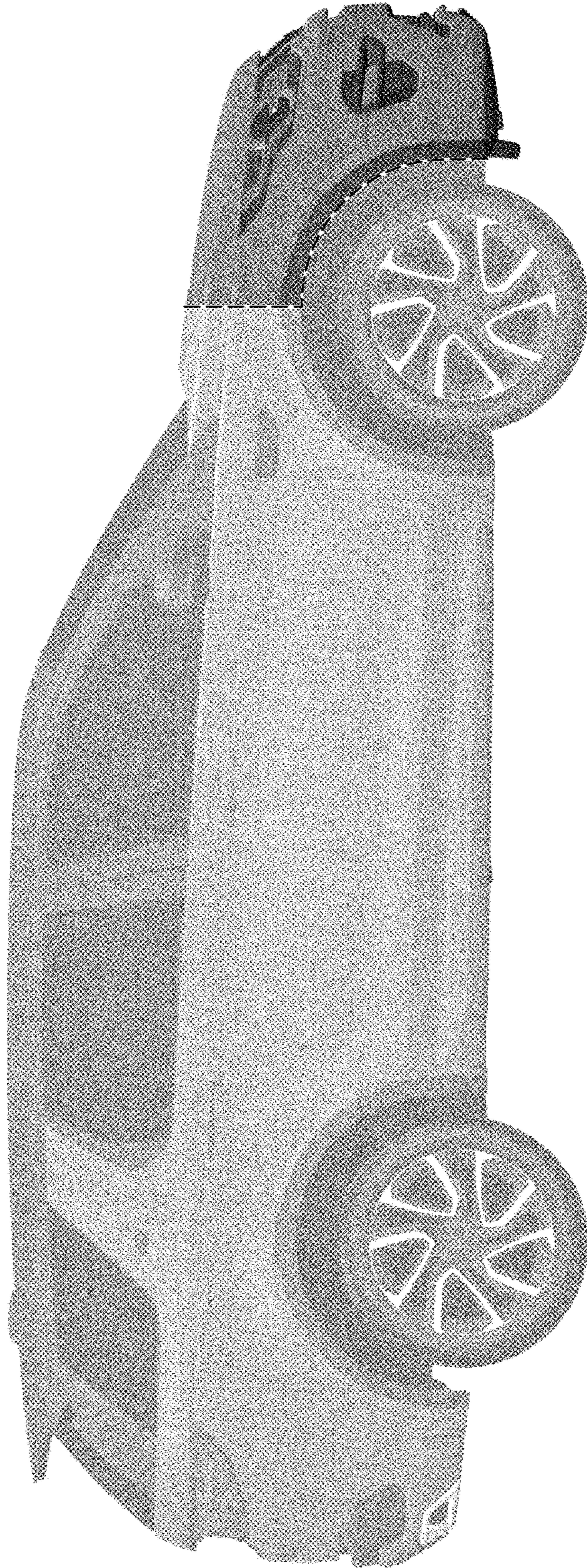


FIG. 4

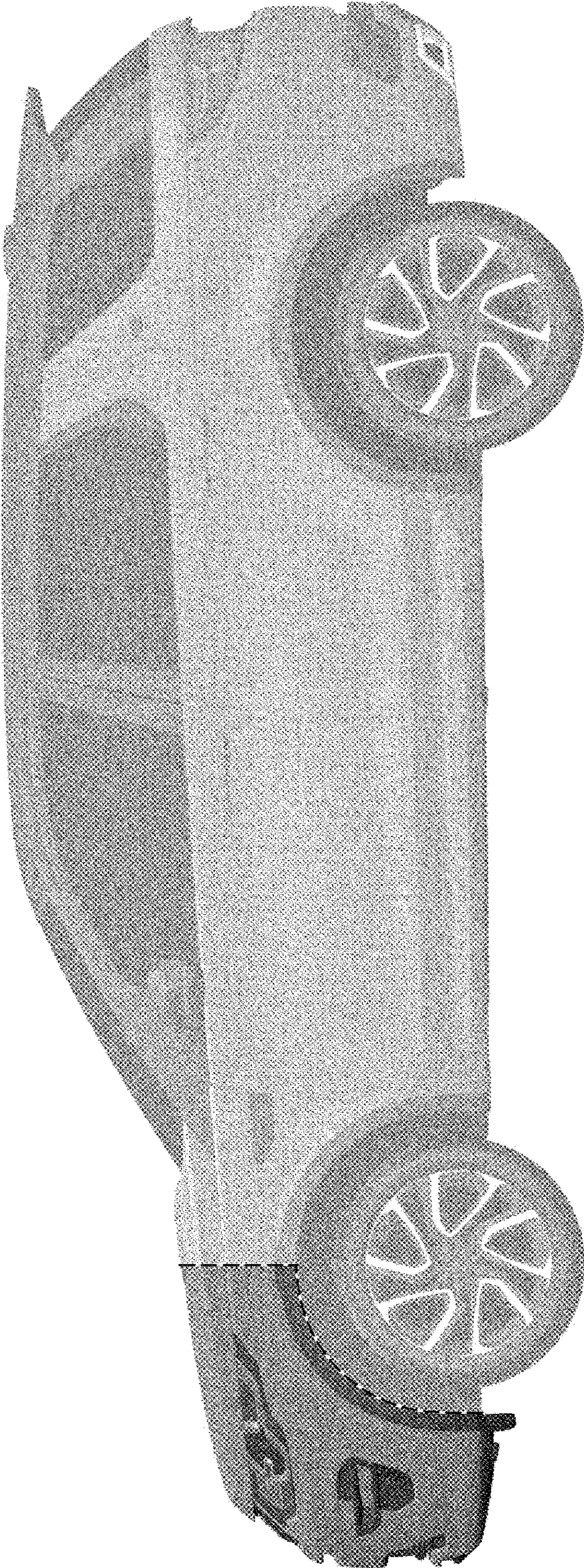


FIG. 5

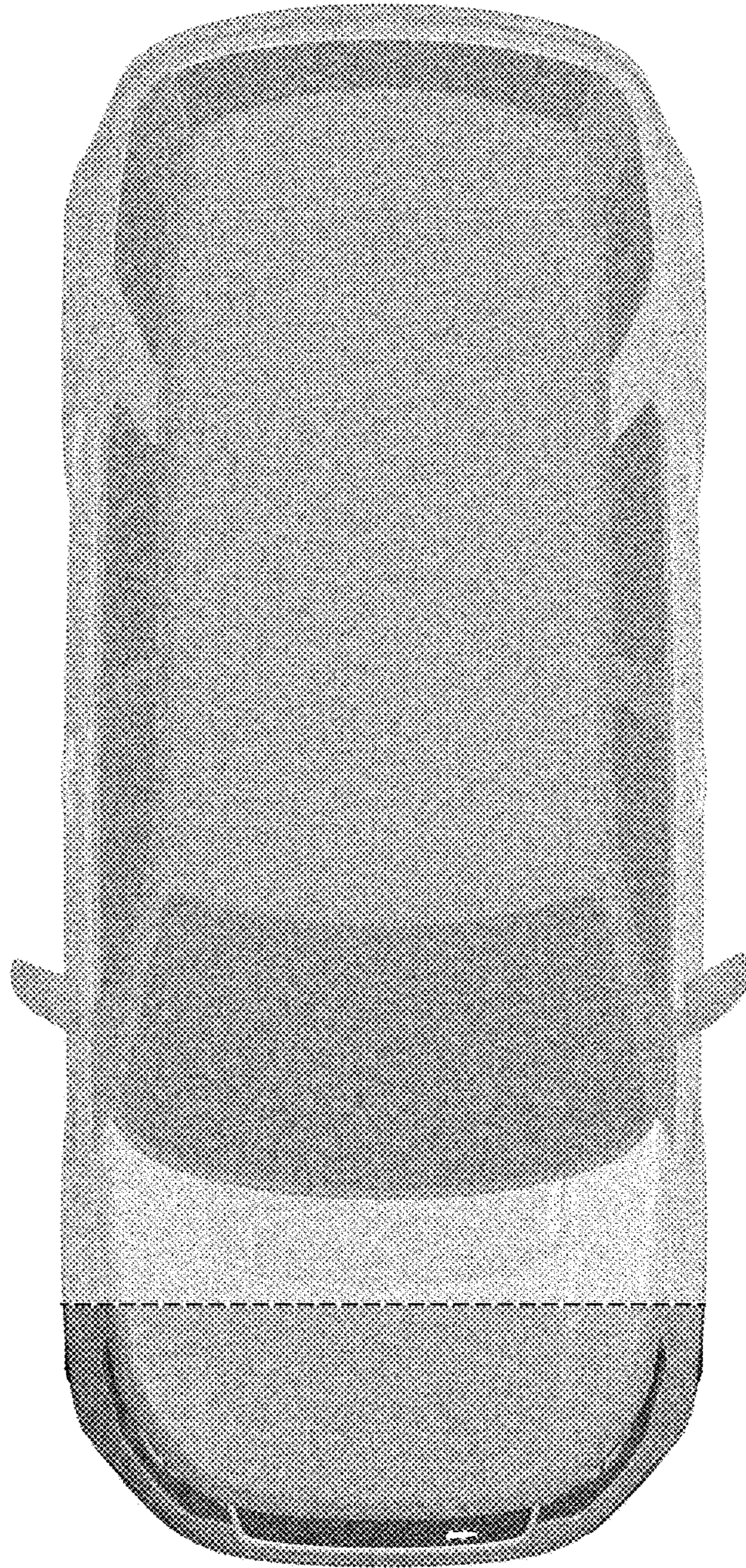


FIG. 6