

US00D797016S

(12) **United States Design Patent**  
**Minami et al.**

(10) **Patent No.:** **US D797,016 S**

(45) **Date of Patent:** **\*\* Sep. 12, 2017**

(54) **GRILL FOR AN AUTOMOBILE**

(56) **References Cited**

(71) Applicant: **HONDA MOTOR CO., LTD.**, Tokyo (JP)

U.S. PATENT DOCUMENTS

(72) Inventors: **Toshinobu Minami**, Wako (JP); **David William Marek**, Raymond, OH (US)

D525,920 S *	8/2006	Toyoda .....	D12/163
D557,641 S *	12/2007	Davidson .....	D12/163
D573,924 S *	7/2008	Tachibana .....	D12/163
D575,688 S *	8/2008	Miyata .....	D12/163
D592,564 S *	5/2009	Kusamoto .....	D12/163
D651,142 S *	12/2011	Fushimi .....	D12/163
D756,856 S *	5/2016	Miyazawa .....	D12/163

(73) Assignee: **HONDA MOTOR CO., LTD.**, Tokyo (JP)

\* cited by examiner

(\*\*) Term: **15 Years**

*Primary Examiner* — Melody N. Brown

(21) Appl. No.: **29/560,481**

(74) *Attorney, Agent, or Firm* — Westerman, Hattori, Daniels & Adrian, LLP

(22) Filed: **Apr. 7, 2016**

(57) **CLAIM**

(30) **Foreign Application Priority Data**

The ornamental design for a grill for an automobile, as shown and described.

Oct. 9, 2015 (JP) ..... 2015-022451

**DESCRIPTION**

(51) **LOC (10) Cl.** ..... **12-16**

FIG. 1 is a front perspective view of a grill for an automobile;

(52) **U.S. Cl.**

FIG. 2 is a front view thereof;

USPC ..... **D12/163**

FIG. 3 is a top plan view thereof;

(58) **Field of Classification Search**

USPC .... D12/163, 196, 86, 90-92, 171, 169, 216;  
180/68.1, 68.6; 293/193.11

FIG. 4 is a right side view thereof; and,

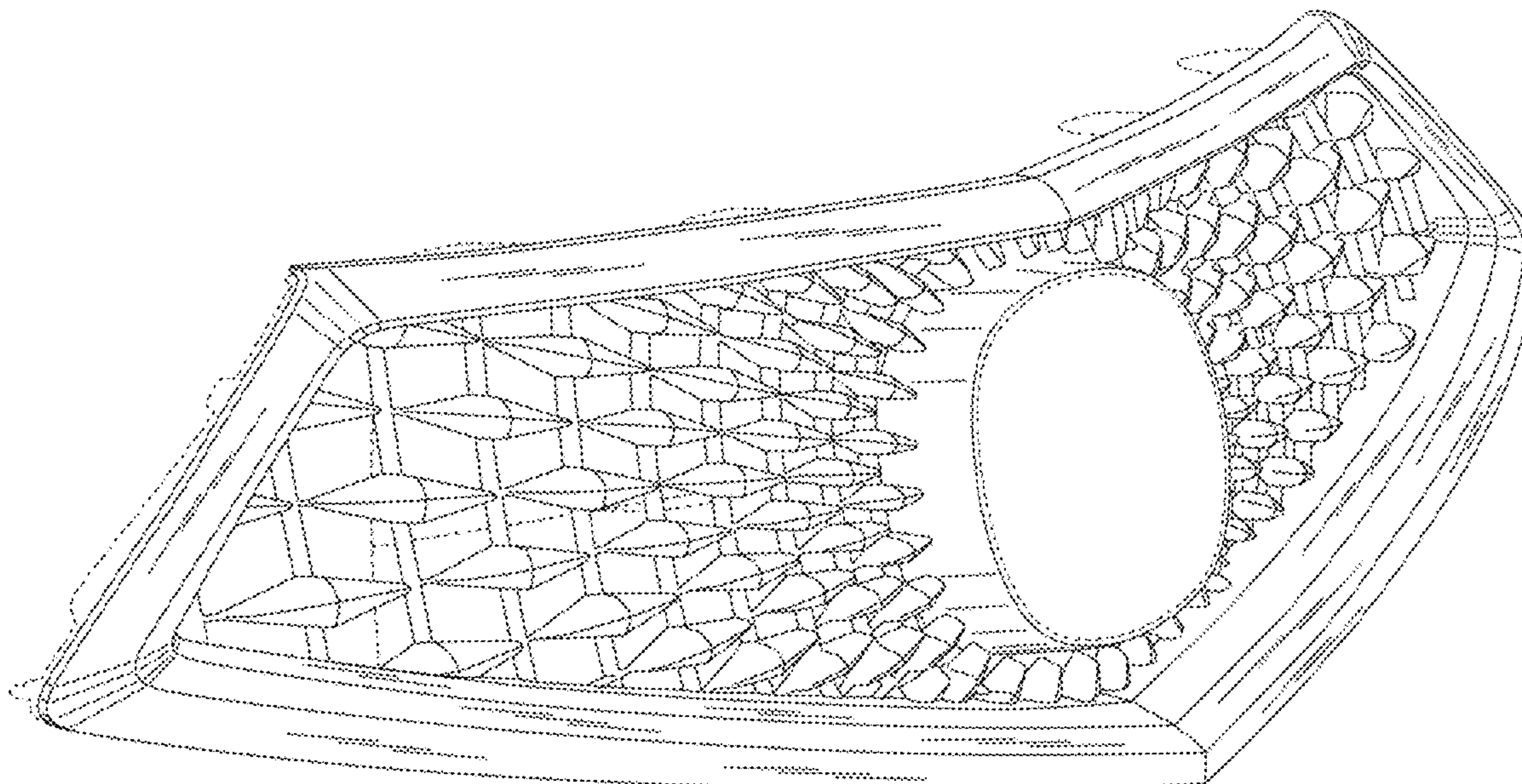
CPC ..... B62D 25/08; B62B 9/16; B60K 11/08;  
B60R 19/52

FIG. 5 is a left side view thereof.

See application file for complete search history.

The broken lines form no part of the claimed design.

**1 Claim, 5 Drawing Sheets**



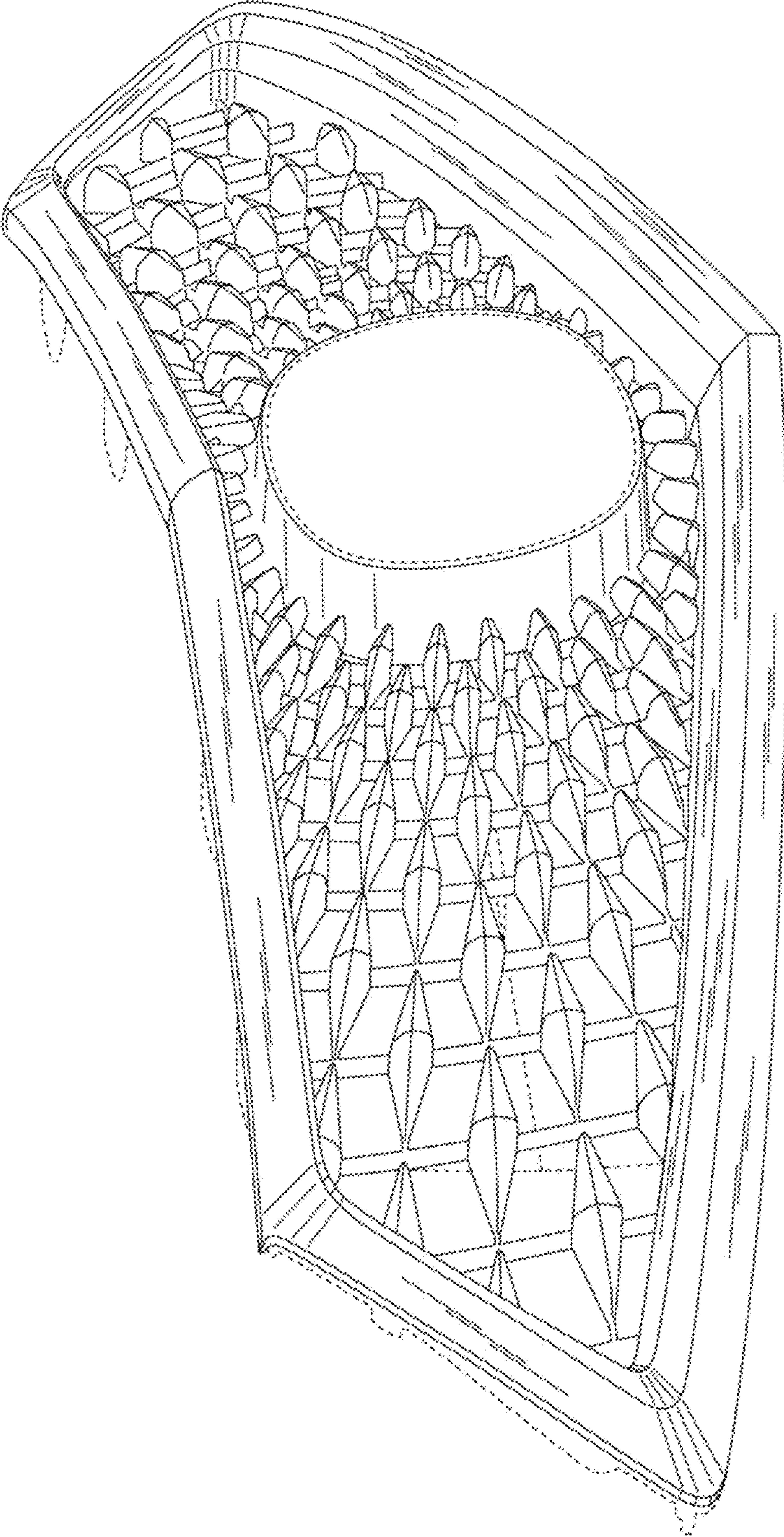


FIG.1



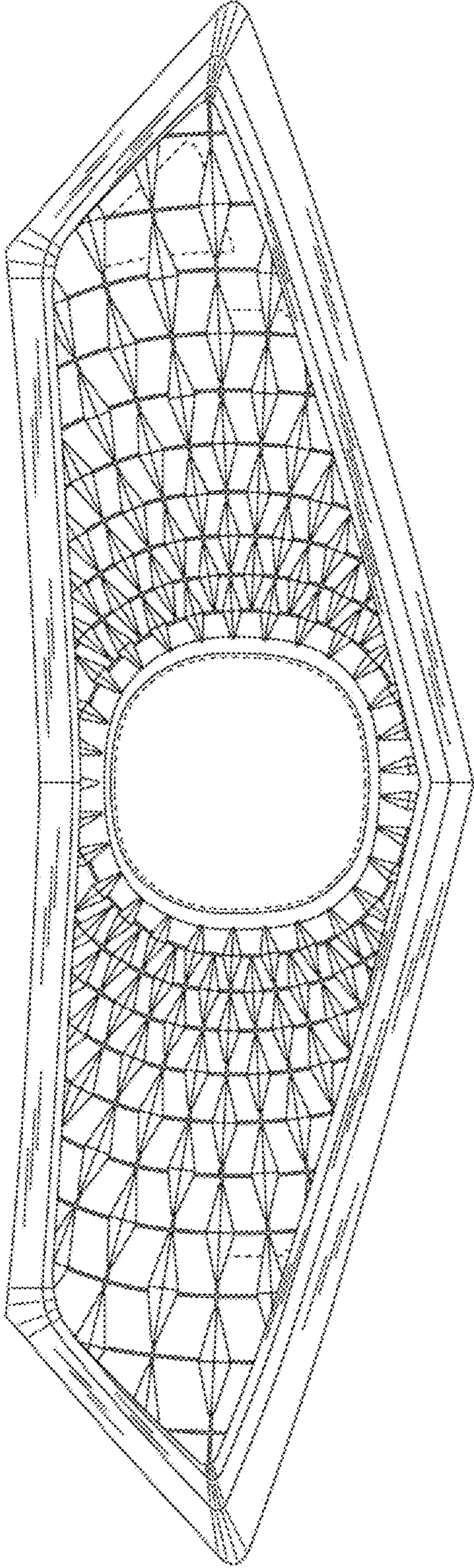


FIG.2

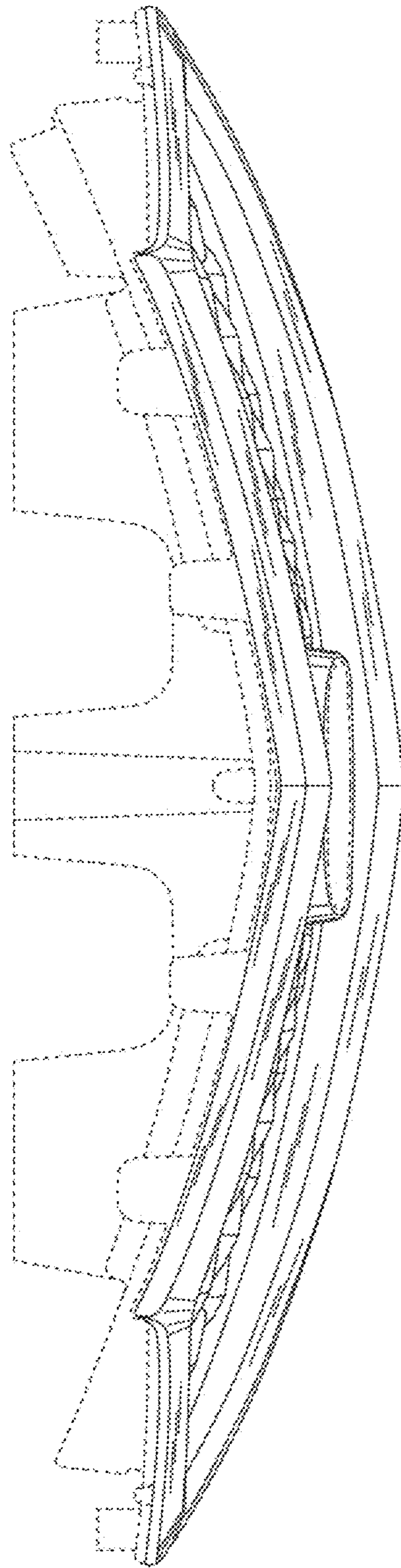


FIG.3

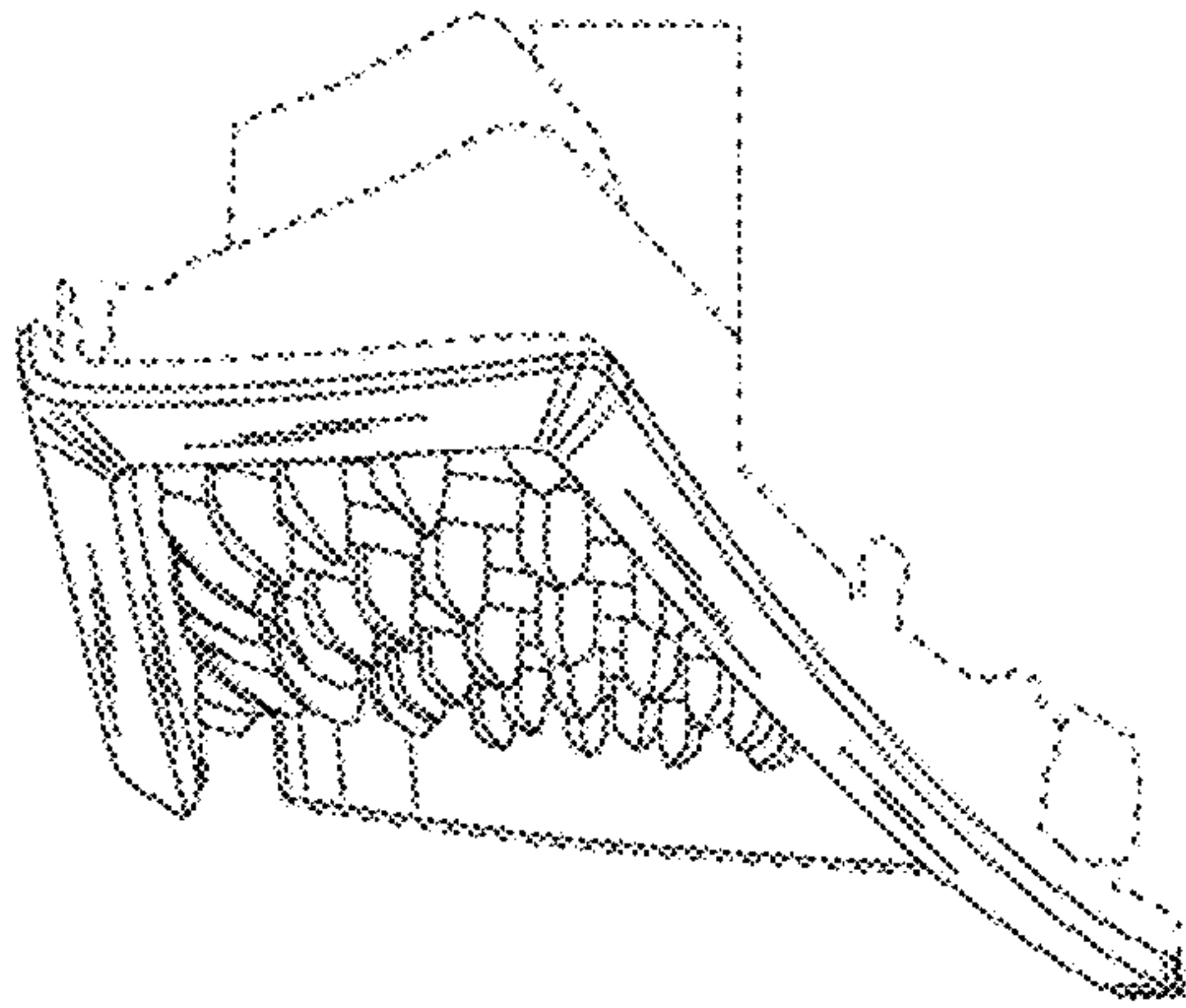


FIG.4

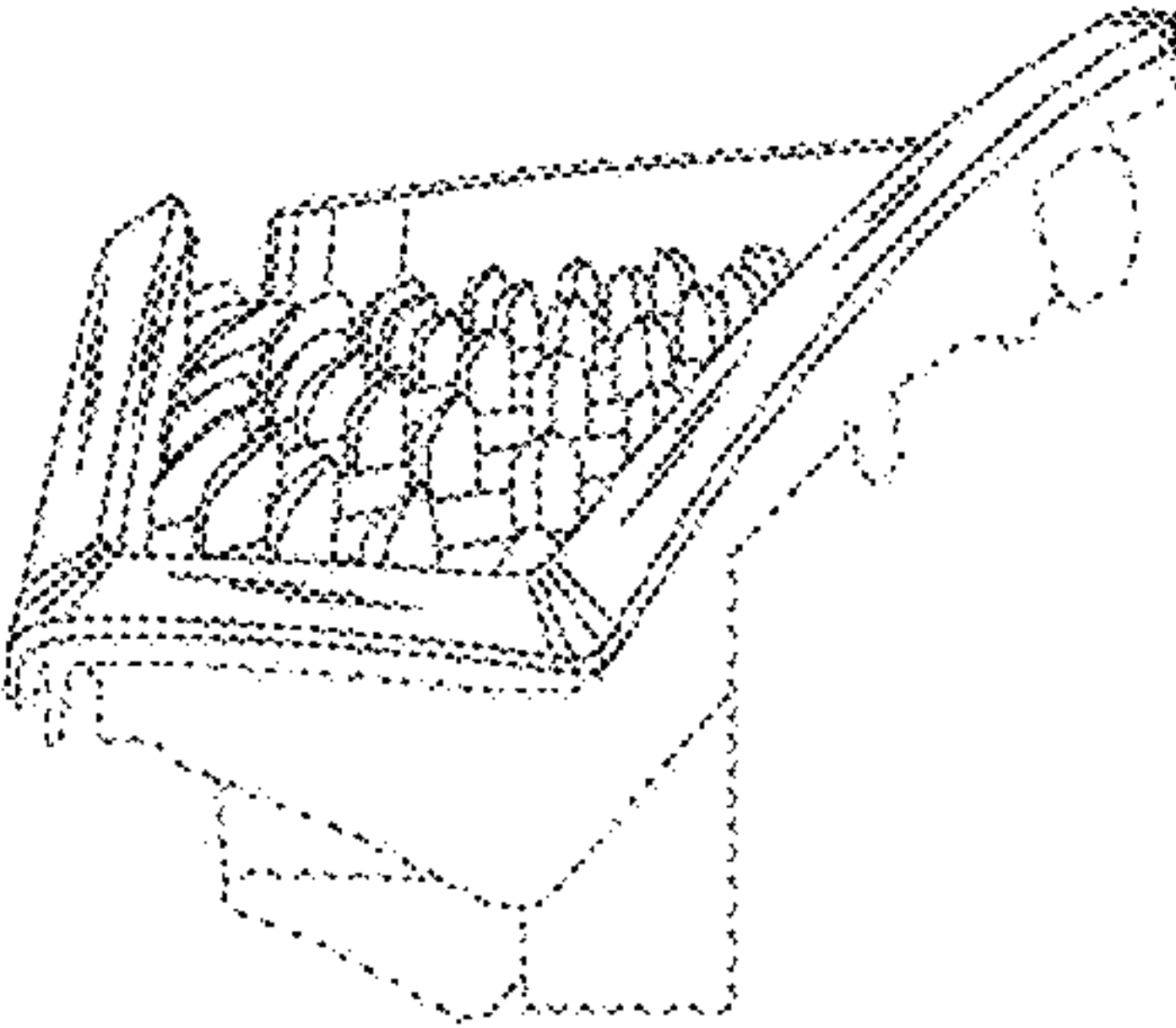


FIG.5