



US00D797010S

(12) **United States Design Patent**
Verboeket

(10) **Patent No.:** **US D797,010 S**

(45) **Date of Patent:** **** Sep. 12, 2017**

- (54) **TOWBAR**
- (71) Applicant: **TriMas Corporation Pty Ltd.**,
Keysborough (AU)
- (72) Inventor: **Nick Verboeket**, Keysborough (AU)
- (73) Assignee: **Horizon Global Americas Inc.**,
Plymouth, MI (US)
- (**) Term: **15 Years**
- (21) Appl. No.: **29/561,770**
- (22) Filed: **Apr. 20, 2016**

4,516,790 A *	5/1985	Hampel	B60D 1/56
				280/502
D373,104 S *	8/1996	Miller	D12/162
6,135,485 A *	10/2000	Filbrun	B60D 1/50
				280/493
D570,257 S *	6/2008	VanderBurgh	D12/162
D585,795 S *	2/2009	Gundlach	D12/162
7,862,055 B2 *	1/2011	Bennett	B62K 3/002
				280/21.1
D708,988 S *	7/2014	Le Miere	D12/161
D729,704 S *	5/2015	Song	D12/162
9,259,983 B2 *	2/2016	Hohlrieder	B60D 1/155
D773,345 S *	12/2016	Borkholder	D12/162
D778,211 S *	2/2017	DePietro	D12/162

* cited by examiner

Primary Examiner — Katrina A Betton

(74) *Attorney, Agent, or Firm* — McDonald Hopkins LLC

Related U.S. Application Data

- (62) Division of application No. 29/493,463, filed on Jun. 10, 2014, now Pat. No. Des. 756,853.
- (51) **LOC (10) Cl.** **12-16**
- (52) **U.S. Cl.**
USPC **D12/162**
- (58) **Field of Classification Search**
USPC D12/162, 159, 160, 161
CPC . B60D 1/60; B60D 1/065; B60D 1/00; B60D
1/06
See application file for complete search history.

(57) **CLAIM**

The ornamental design of a towbar, as shown and described.

DESCRIPTION

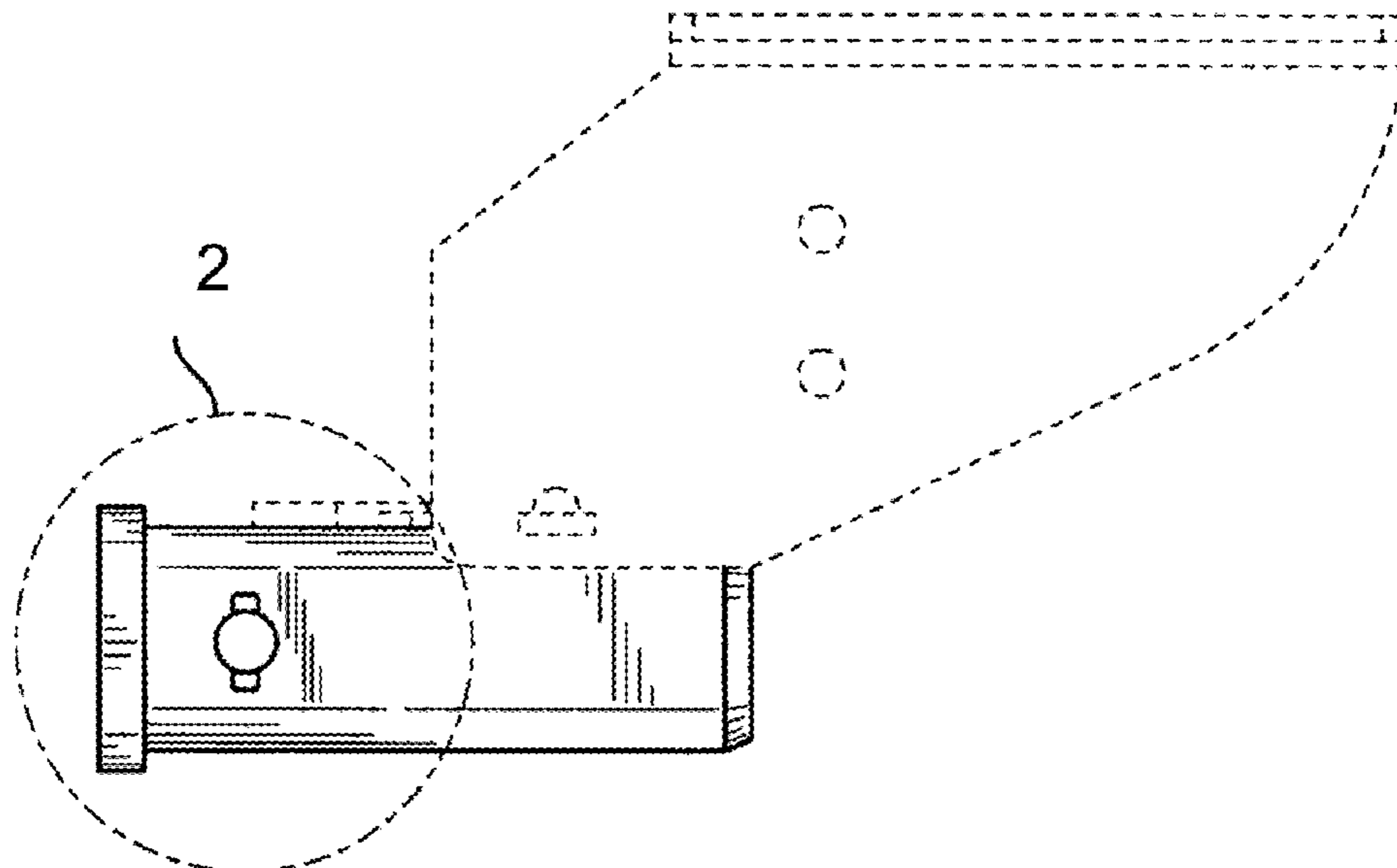
FIG. 1 is a side view of a towbar showing my new design; FIG. 2 is a close up view of a portion of the towbar of FIG. 1;
 FIG. 3 is a perspective view of the towbar;
 FIG. 4 is a close up view of a portion of the towbar of FIG. 3; and,
 FIG. 5 is a front view of the towbar.
 The broken lines in the figures are included for the purpose of illustrating portions of the towbar and form no part of the claimed design.

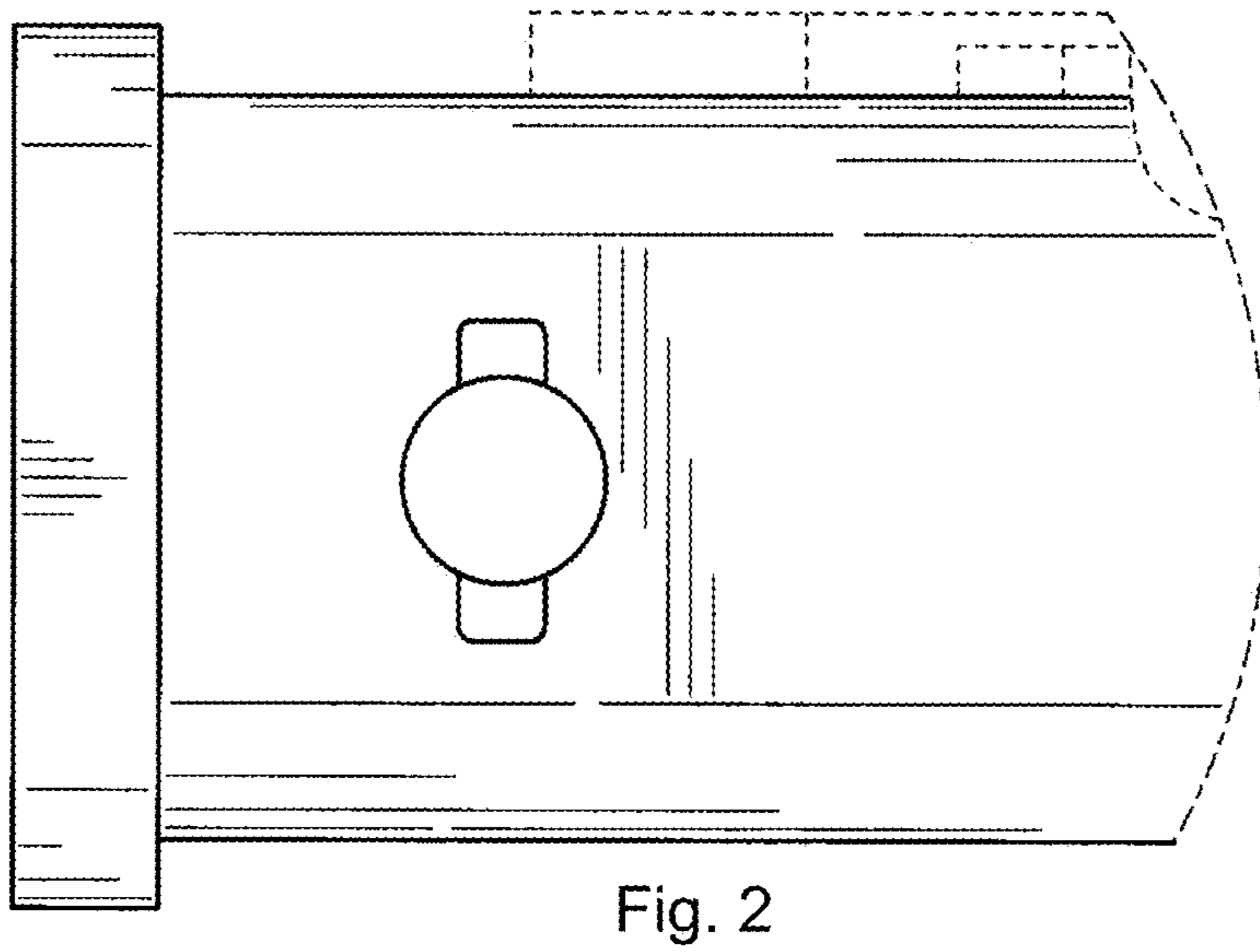
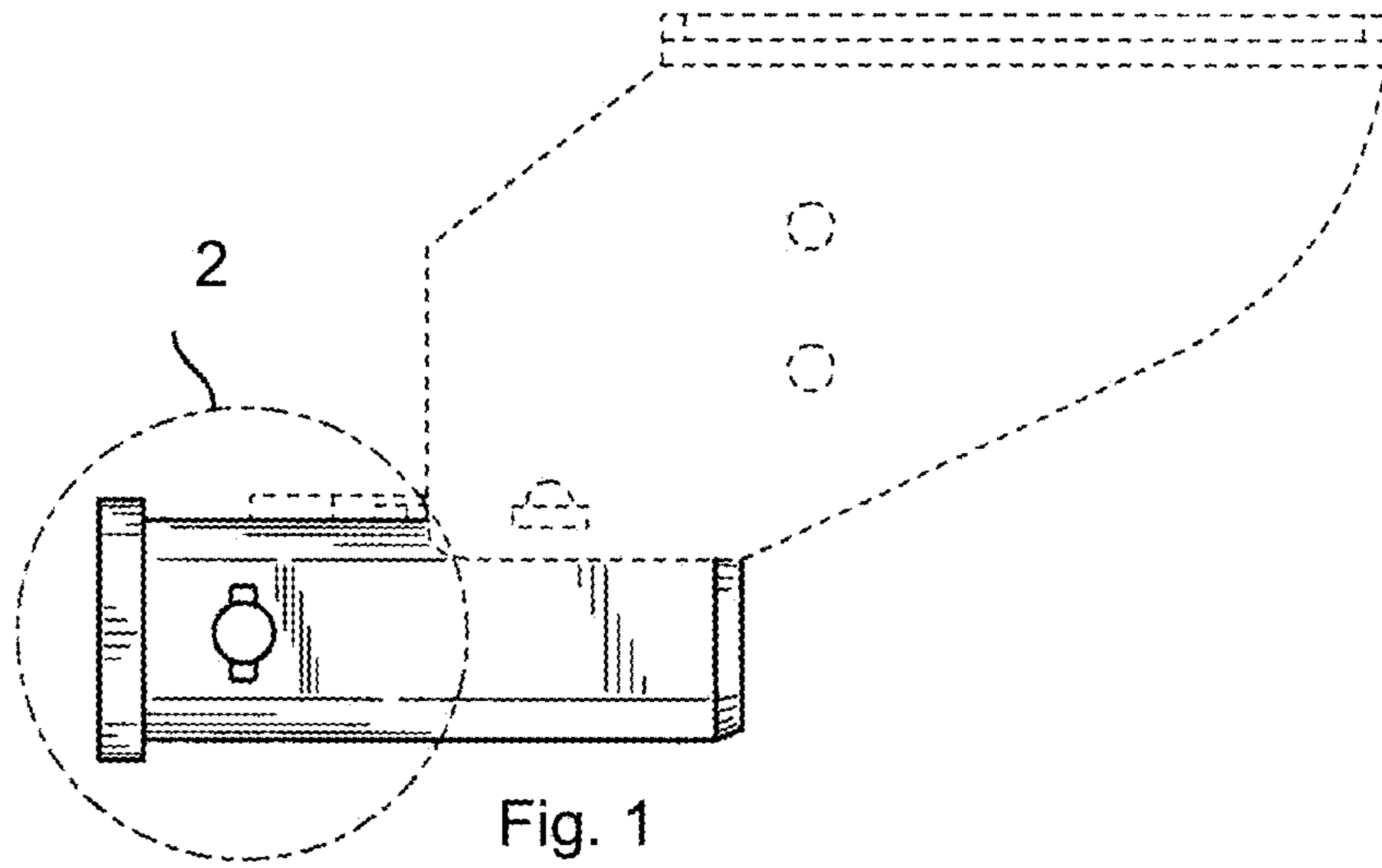
(56) **References Cited**

U.S. PATENT DOCUMENTS

3,300,233 A *	1/1967	Olson	B60D 1/155
				116/28 R
4,063,750 A *	12/1977	Mutchler	B60D 1/145
				280/475

1 Claim, 3 Drawing Sheets





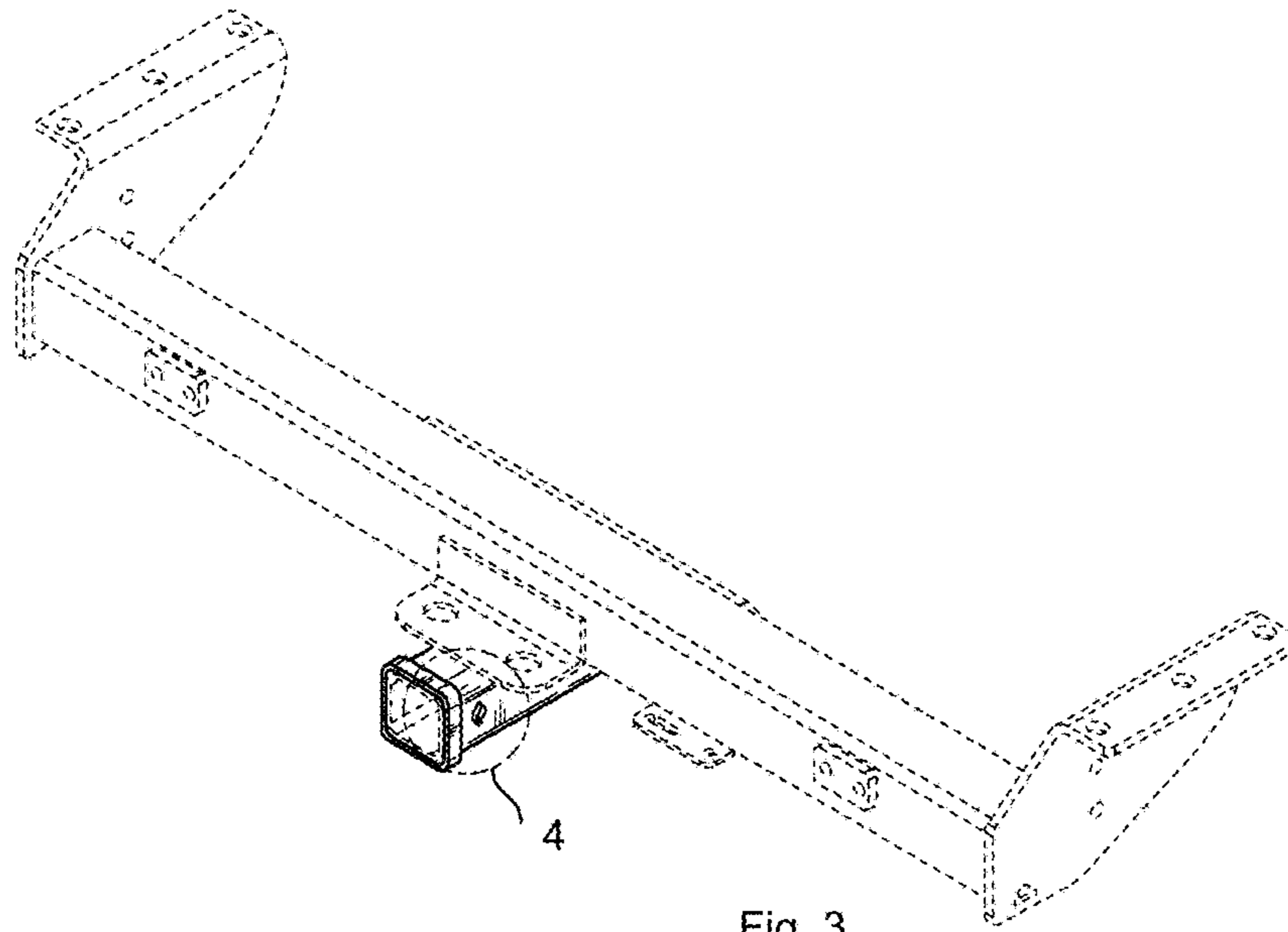


Fig. 3

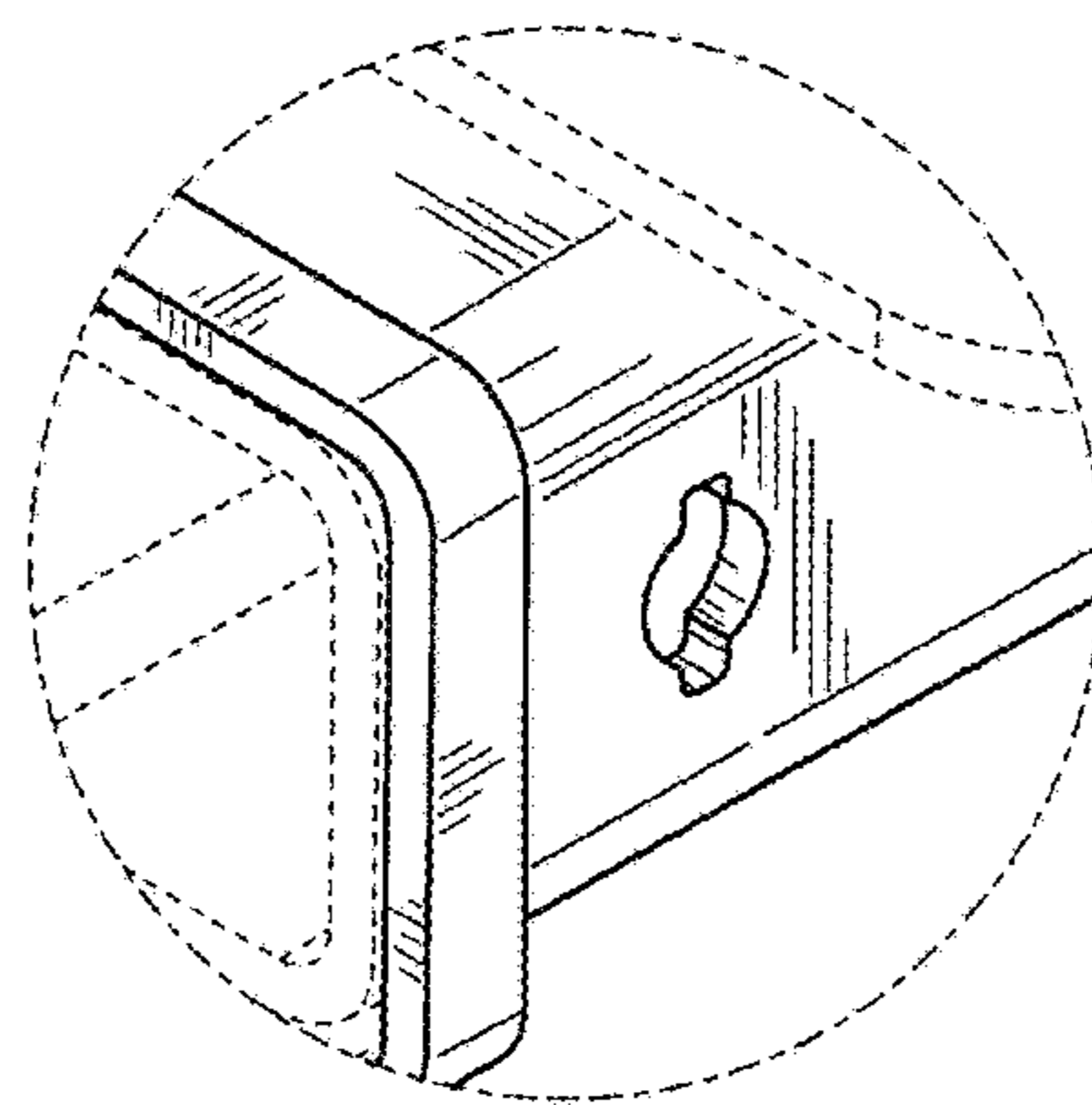


Fig. 4

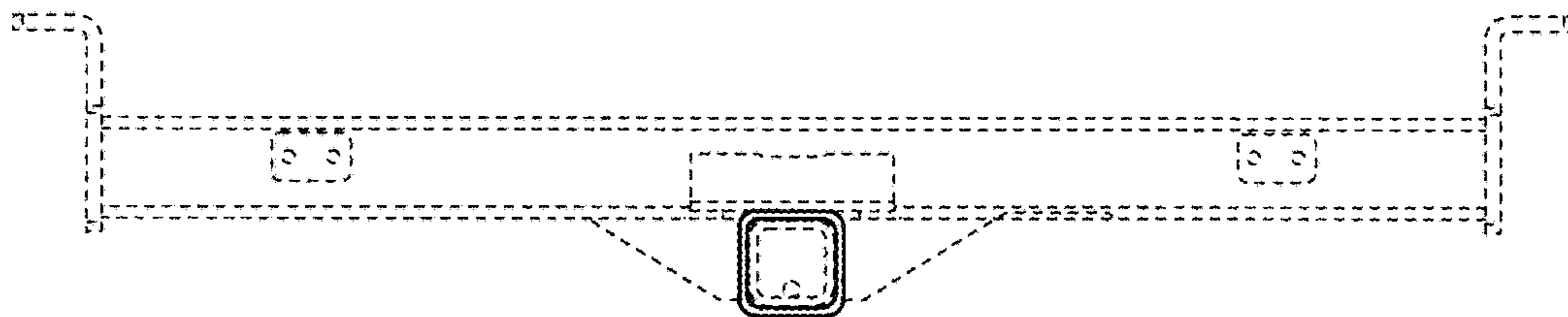


Fig. 5