



US00D797009S

(12) **United States Design Patent** (10) **Patent No.:** **US D797,009 S**
Verboeket (45) **Date of Patent:** **** Sep. 12, 2017**

- (54) **HITCH PIN** 4,407,460 A * 10/1983 Khudaverdian B63B 35/815
114/252
- (71) Applicant: **TriMas Corporation Pty Ltd.,** D373,104 S * 8/1996 Miller D12/162
Keysborough (AU) 6,896,282 B1 * 5/2005 McKinley B60D 1/52
280/416.1
- (72) Inventor: **Nick Verboeket, Victoria (AU)** D570,257 S * 6/2008 VanderBurgh D12/162
D585,795 S * 2/2009 Gundlach D12/162
- (73) Assignee: **Horizon Global Americas Inc.,** 7,862,055 B2 * 1/2011 Bennett B62K 3/002
Plymouth, MI (US) 280/21.1
- (**) Term: **15 Years** D682,968 S * 5/2013 Adinolfi, Sr. D21/810
D708,988 S * 7/2014 Le Miere D12/161
D729,704 S * 5/2015 Song D12/162
D749,994 S * 2/2016 Verboeket D12/162

(21) Appl. No.: **29/555,553**

(22) Filed: **Feb. 23, 2016**

Related U.S. Application Data

(63) Continuation of application No. 29/493,458, filed on Jun. 10, 2014, now Pat. No. Des. 749,994.

(51) **LOC (10) Cl.** **12-16**

(52) **U.S. Cl.**
USPC **D12/162**

(58) **Field of Classification Search**
USPC D12/162, 159, 160, 161
CPC . B60D 1/60; B60D 1/065; B60D 1/00; B60D
1/06
See application file for complete search history.

(56) **References Cited**

U.S. PATENT DOCUMENTS

- 3,952,685 A * 4/1976 Hollenbush B60D 1/182
267/70
- D269,175 S * 5/1983 Perry D12/162

* cited by examiner

Primary Examiner — Katrina A Betton

(74) *Attorney, Agent, or Firm* — McDonald Hopkins LLC

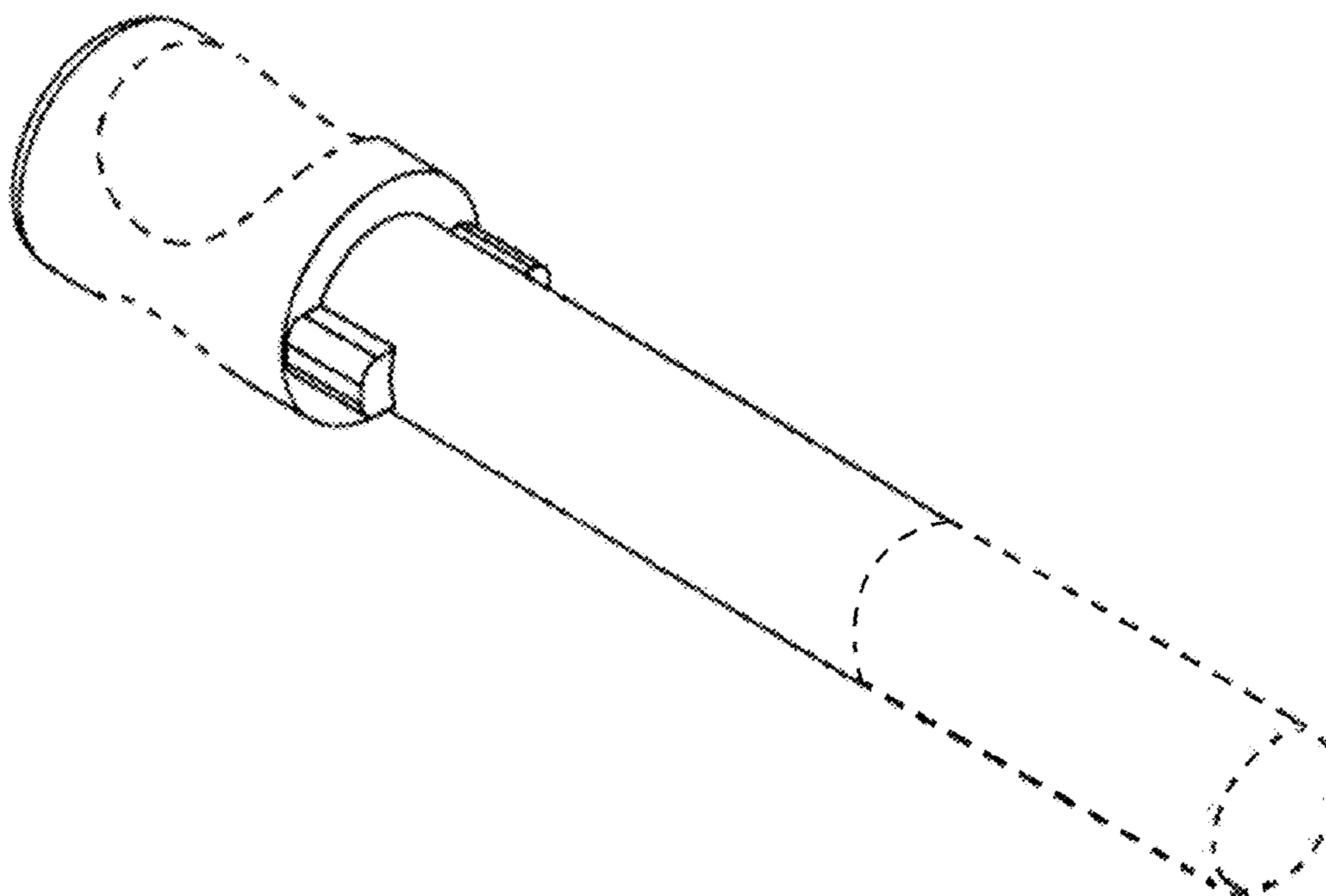
(57) **CLAIM**

The ornamental design of a hitch pin, as shown and described.

DESCRIPTION

FIG. 1 is a side view of a hitch pin showing my new design; FIG. 2 is a second side view thereof; FIG. 3 is a perspective side view thereof; and, FIG. 4 is an end side view thereof. The broken lines in the figures are included for the purpose of illustrating portions of the hitch pin and form no part of the claimed design.

1 Claim, 4 Drawing Sheets



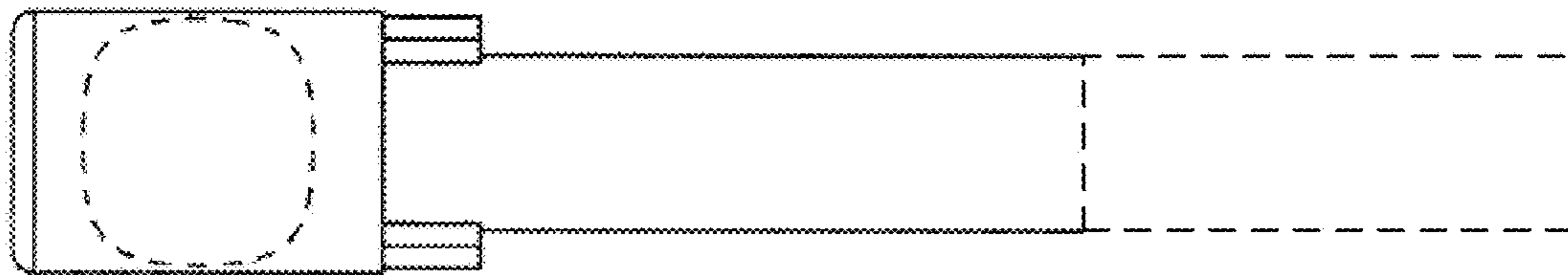


FIG. 1

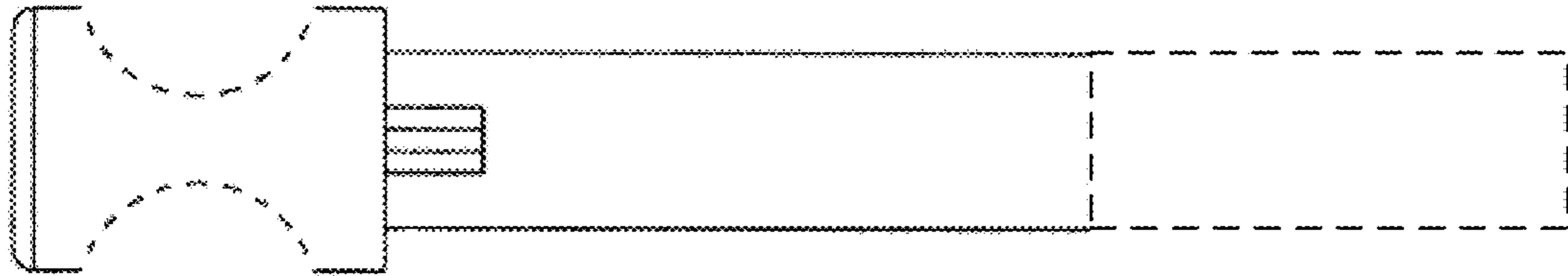


FIG. 2

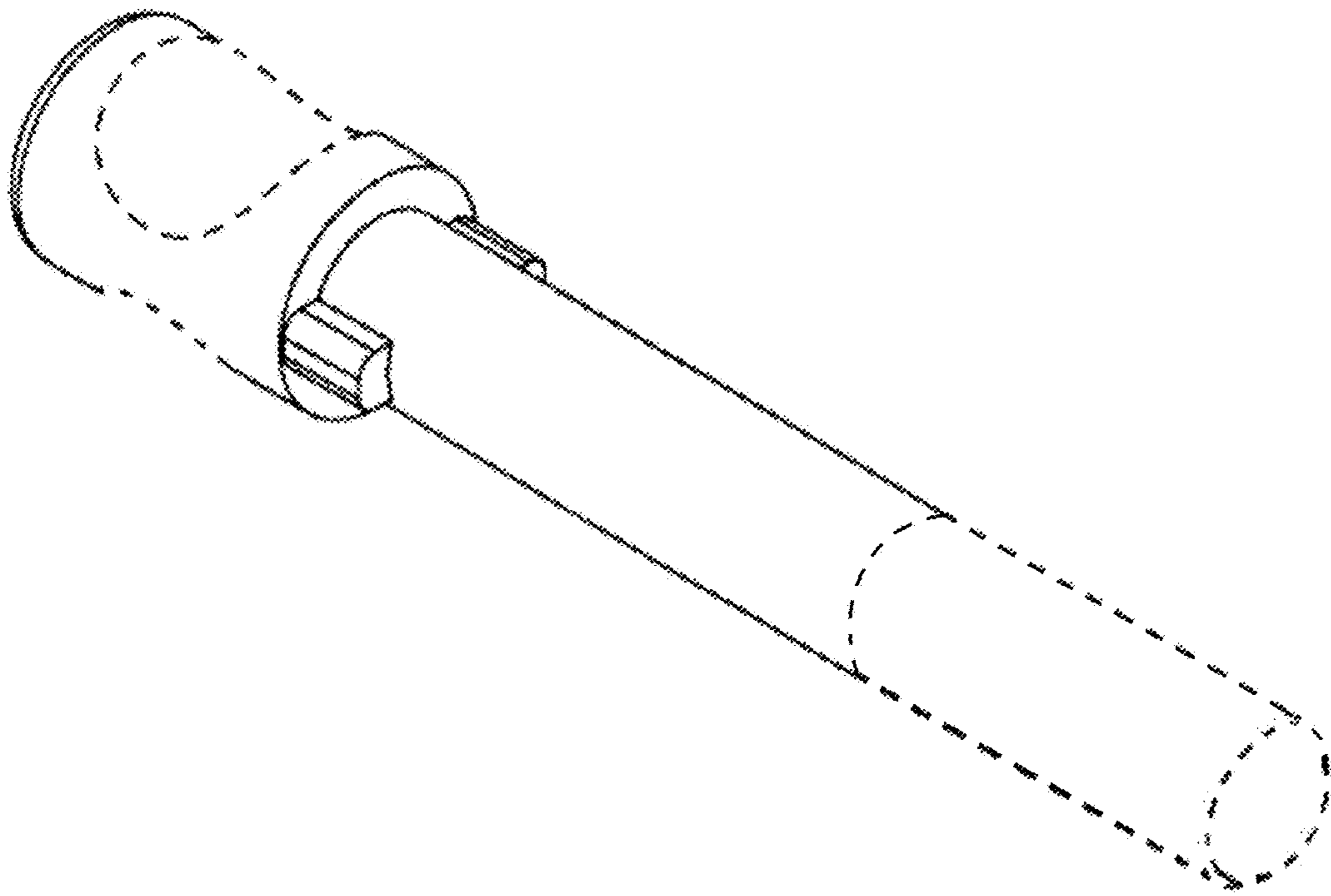


FIG. 3

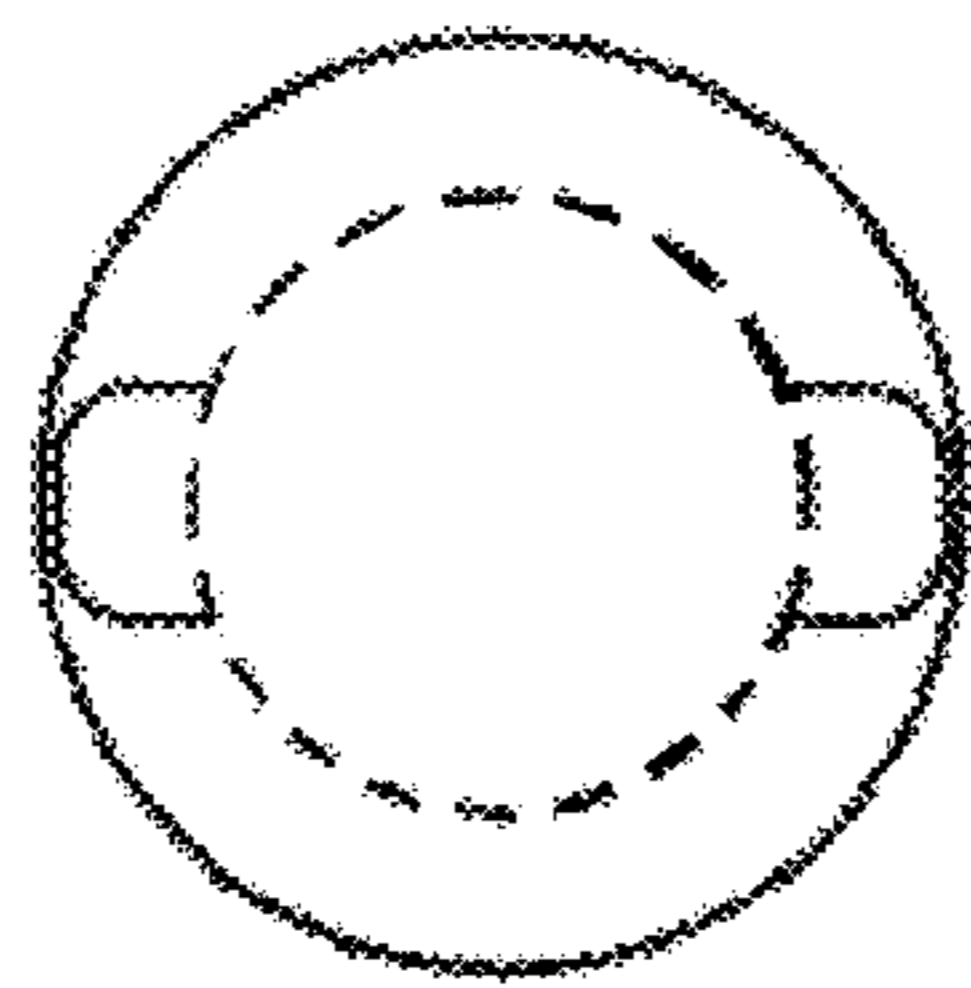


FIG. 4