



US00D797008S

(12) **United States Design Patent** (10) **Patent No.:** **US D797,008 S**
Borkholder (45) **Date of Patent:** **** Sep. 12, 2017**

(54) **STACKED SQUARE TUBE RECEIVER HITCH**

(71) Applicant: **Carl Borkholder**, Bremen, IN (US)

(72) Inventor: **Carl Borkholder**, Bremen, IN (US)

(**) Term: **15 Years**

(21) Appl. No.: **29/531,498**

(22) Filed: **Jun. 26, 2015**

(51) **LOC (10) Cl.** **12-16**

(52) **U.S. Cl.**
USPC **D12/162**

(58) **Field of Classification Search**
USPC D12/162, 159, 160, 161
CPC B60D 1/248; B60R 9/06; B66C 23/44
See application file for complete search history.

(56) **References Cited**

U.S. PATENT DOCUMENTS

D508,221 S *	8/2005	Rebick	D12/162
D629,338 S *	12/2010	Ceccarelli	D12/162
D682,751 S *	5/2013	Borkholder	D12/162
D697,838 S *	1/2014	Borkholder	D12/162
D727,803 S *	4/2015	Borkholder	D12/162
9,017,002 B1 *	4/2015	Joynt	B60R 9/06 414/462
9,199,520 B2 *	12/2015	Weipert	B60D 1/07
9,333,822 B1 *	5/2016	LaFave	B60R 9/10
9,387,739 B2 *	7/2016	Babuska	B60D 1/54
9,505,281 B1 *	11/2016	Borkholder	B60D 1/248
2008/0122199 A1 *	5/2008	Cearns	B60D 1/52 280/490.1
2010/0294819 A1 *	11/2010	Spera	B60R 9/06 224/519
2016/0288726 A1 *	10/2016	Endrasik	B60R 9/06

OTHER PUBLICATIONS

GH 524 Ball/Pintle Hitch Kit posted at Hardworking Truck, posted date Feb. 3, 2014, © 2016 HardWorking Trucks, [online], [site

visited Nov. 21, 2016]. Available from Internet, <URL: <http://www.hardworkingtrucks.com/gh-524-ballpintle-hitch-kit/>>.*

GenY 324 Drop Pintle Hitch Combo posted on Amazon.com, review date Mar. 2014, © 1996-2016 Amazon.com, [online], [site visited Dec. 19, 2016]. Available from Internet, <URL: <https://www.amazon.com/Pintle-Hitch-pintle-adjustable-Receiver/dp/B00EV17J44>>.*

* cited by examiner

Primary Examiner — Caron D Veynar

Assistant Examiner — Laura Yu

(74) *Attorney, Agent, or Firm* — Botkin & Hall, LLP

(57) **CLAIM**

The ornamental design for a stacked square tube receiver hitch, as shown and described.

DESCRIPTION

FIG. 1 is a perspective view of the stacked square tube receiver hitch;

FIG. 2 is a top view of the stacked square tube receiver hitch of FIG. 1;

FIG. 3 is a bottom view of the stacked square tube receiver hitch of FIG. 1;

FIG. 4 is a back view of the stacked square tube receiver hitch of FIG. 1;

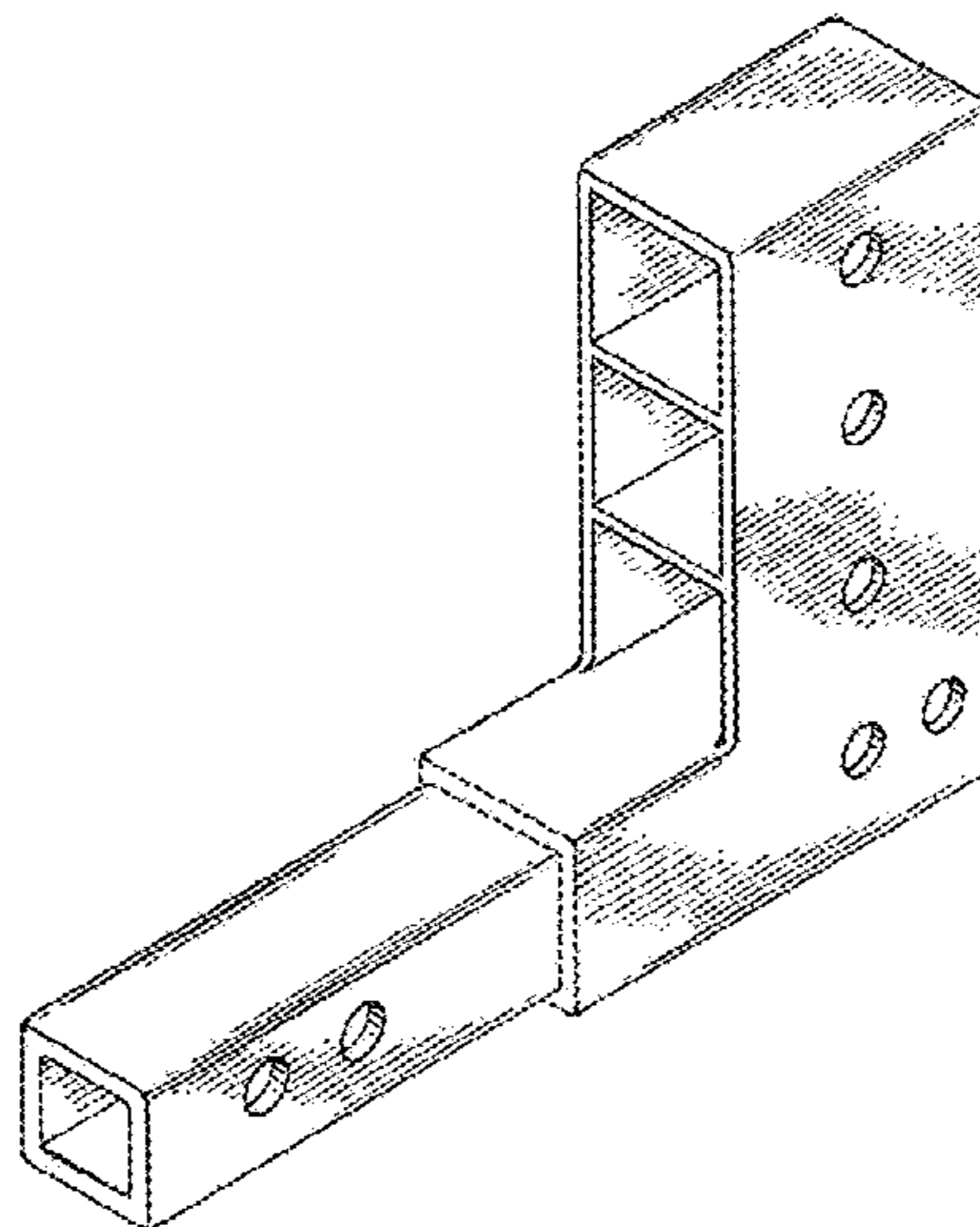
FIG. 5 is a front view of the stacked square tube receiver hitch of FIG. 1;

FIG. 6 is a left side view of the stacked square tube receiver hitch of FIG. 1; and,

FIG. 7 is a right side view of the stacked square tube receiver hitch of FIG. 1.

“The portions of the stacked square tube receiver hitch shown in hidden lines are provided to show context and form no part of the claimed invention.”

1 Claim, 3 Drawing Sheets



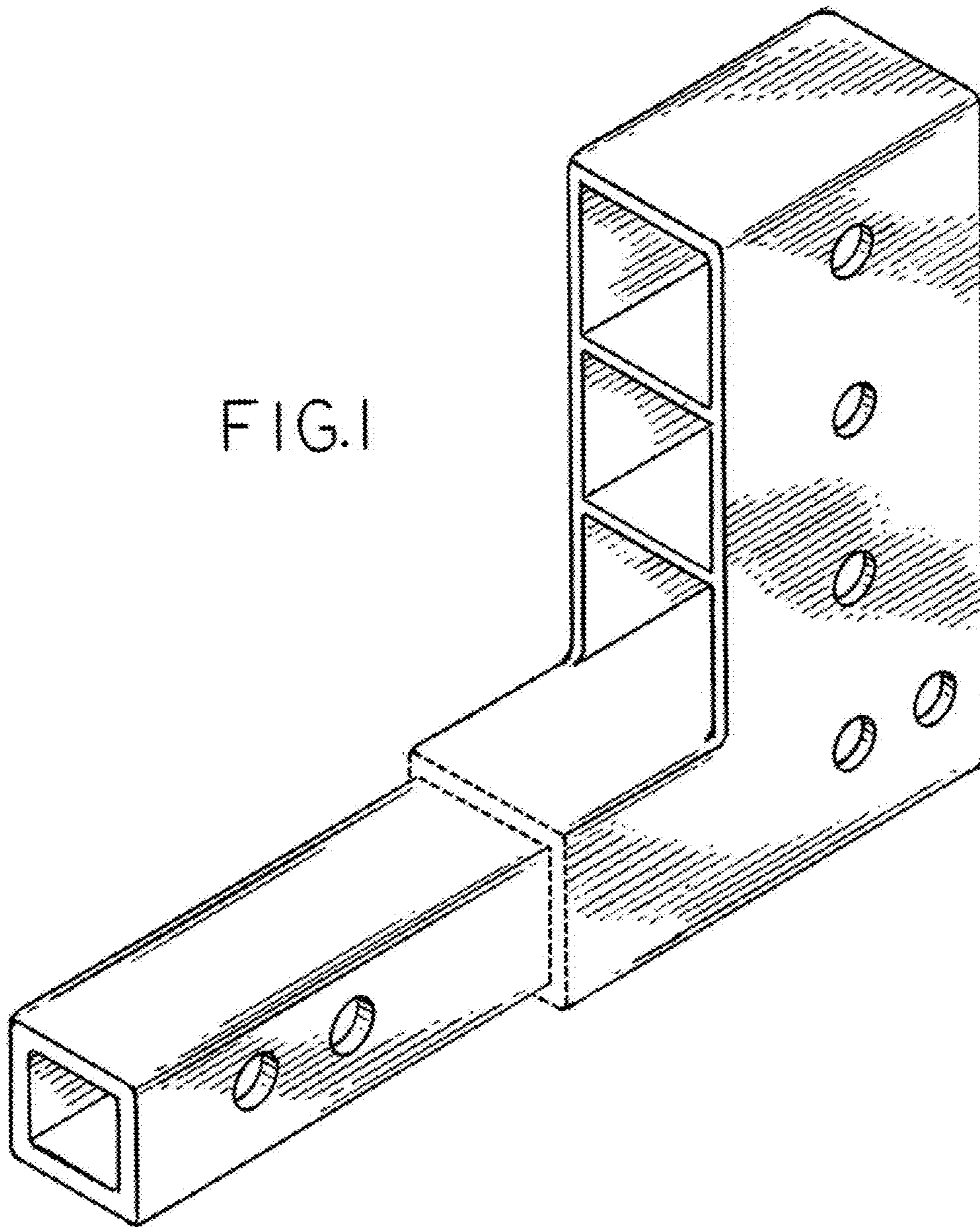


FIG. 1



FIG. 2

FIG. 3



FIG. 4

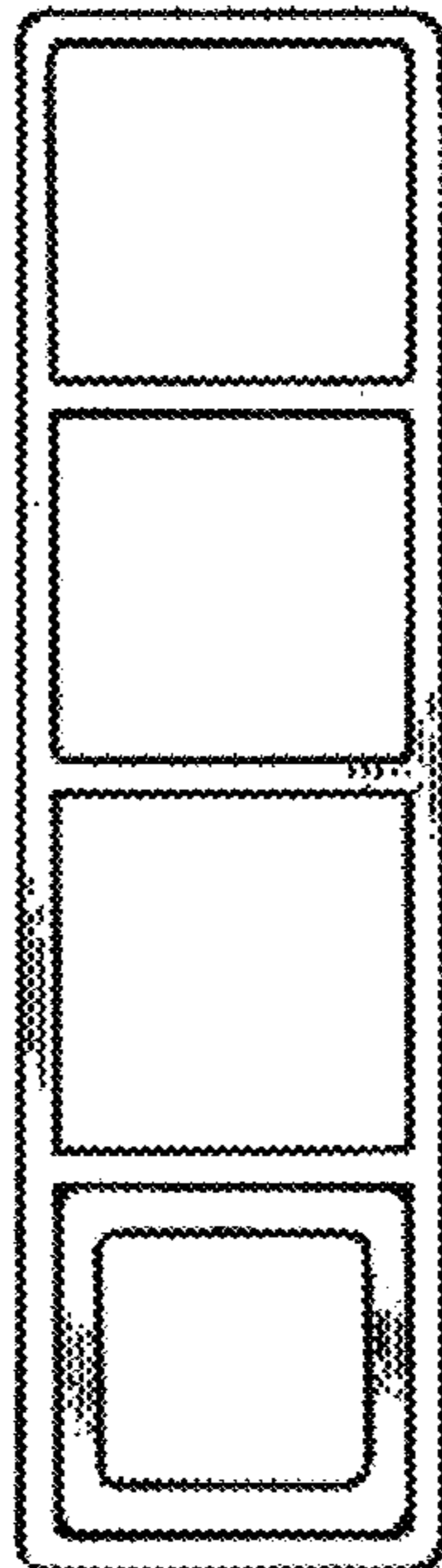


FIG. 5

