



US00D797004S

(12) **United States Design Patent** (10) **Patent No.:** **US D797,004 S**
Tolson (45) **Date of Patent:** **** Sep. 12, 2017**

(54) **STORAGE COMPARTMENT FOR A MOTORCYCLE**
(71) Applicant: **Robert Scott Tolson**, Tacoma, WA (US)
(72) Inventor: **Robert Scott Tolson**, Tacoma, WA (US)
(**) Term: **15 Years**
(21) Appl. No.: **29/527,267**
(22) Filed: **May 18, 2015**
(51) **LOC (10) Cl.** **12-11**
(52) **U.S. Cl.**
USPC **D12/114**
(58) **Field of Classification Search**
USPC D12/114, 110, 409, 400, 402, 407, 412,
D12/406, 408, 410; D3/231
CPC B62J 9/001; B62J 9/00; B62J 7/04; B62K
19/46
See application file for complete search history.

2010/0012416 A1* 1/2010 Chan B62J 7/04
180/219
2010/0243691 A1* 9/2010 Salisbury B62J 1/12
224/413
2012/0187167 A1* 7/2012 Salisbury B62J 7/04
224/413
2014/0091120 A1* 4/2014 Thompson B62J 9/001
224/413

* cited by examiner

Primary Examiner — George D. Kirschbaum
Assistant Examiner — Clese Moore, Jr.
(74) *Attorney, Agent, or Firm* — R. Reams Goodloe, Jr.

(57) **CLAIM**

The ornamental design for a storage compartment for a motorcycle, as shown and described.

DESCRIPTION

FIG. 1 is a top perspective view of a storage compartment for a motorcycle showing the novel compartment design. FIG. 2 is an outside view, taken looking at the outside of the storage compartment design. FIG. 3 is an inside view, taken looking at the inside of the storage compartment design. FIG. 4 is a front side view, taken looking at the front of the storage compartment design. FIG. 5 is a back side view, taken looking at the back of the storage compartment design. FIG. 6 is a top plan view taken looking down at the top of the storage compartment design; and, FIG. 7 is a bottom plan view taken looking up at the underside of the storage compartment design. The broken lines shown illustrate portions of the storage compartment for a motorcycle that form no part of the claimed design.

(56) **References Cited**

U.S. PATENT DOCUMENTS

D341,349 S * 11/1993 Shtrowise D12/410
D343,815 S * 2/1994 Kamata D12/410
6,820,909 B2 11/2004 Yamamoto et al.
7,216,913 B1 5/2007 Volsey, II
7,325,853 B2 2/2008 Tsukui et al.
7,438,340 B2 10/2008 Kurihara
7,607,712 B2 10/2009 Suita et al.
D622,209 S * 8/2010 Shimizugami D12/409
D654,845 S * 2/2012 Yonai D12/409
D656,081 S * 3/2012 Yonai D12/410
D670,230 S * 11/2012 Kataoka D12/410
D743,325 S * 11/2015 Seo D12/410
2002/0121534 A1* 9/2002 Hanagan B62J 9/001
224/423
2008/0202835 A1 8/2008 Suita et al.
2009/0243328 A1 10/2009 Graves

1 Claim, 3 Drawing Sheets

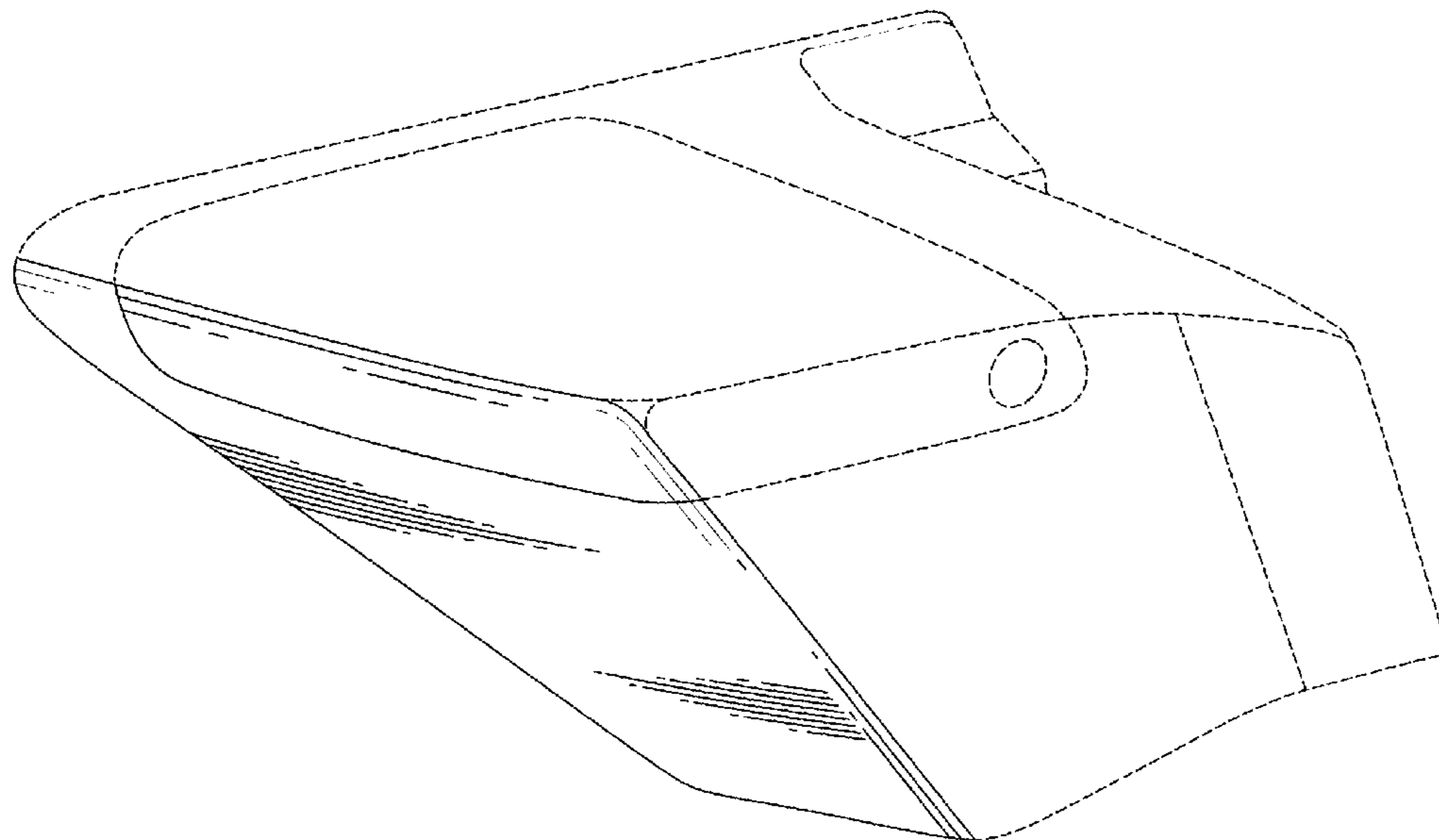


FIG. 1

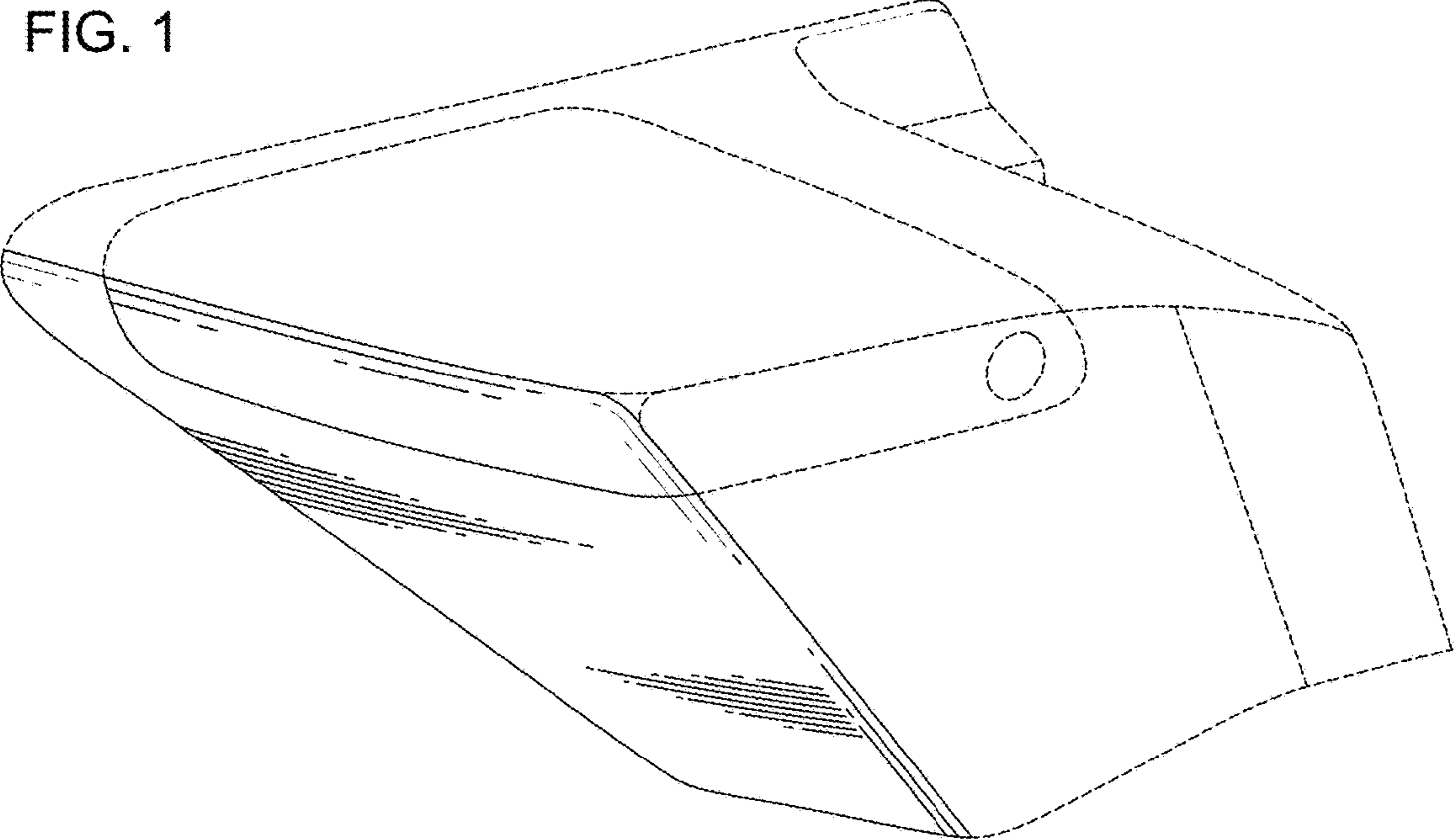


FIG. 2

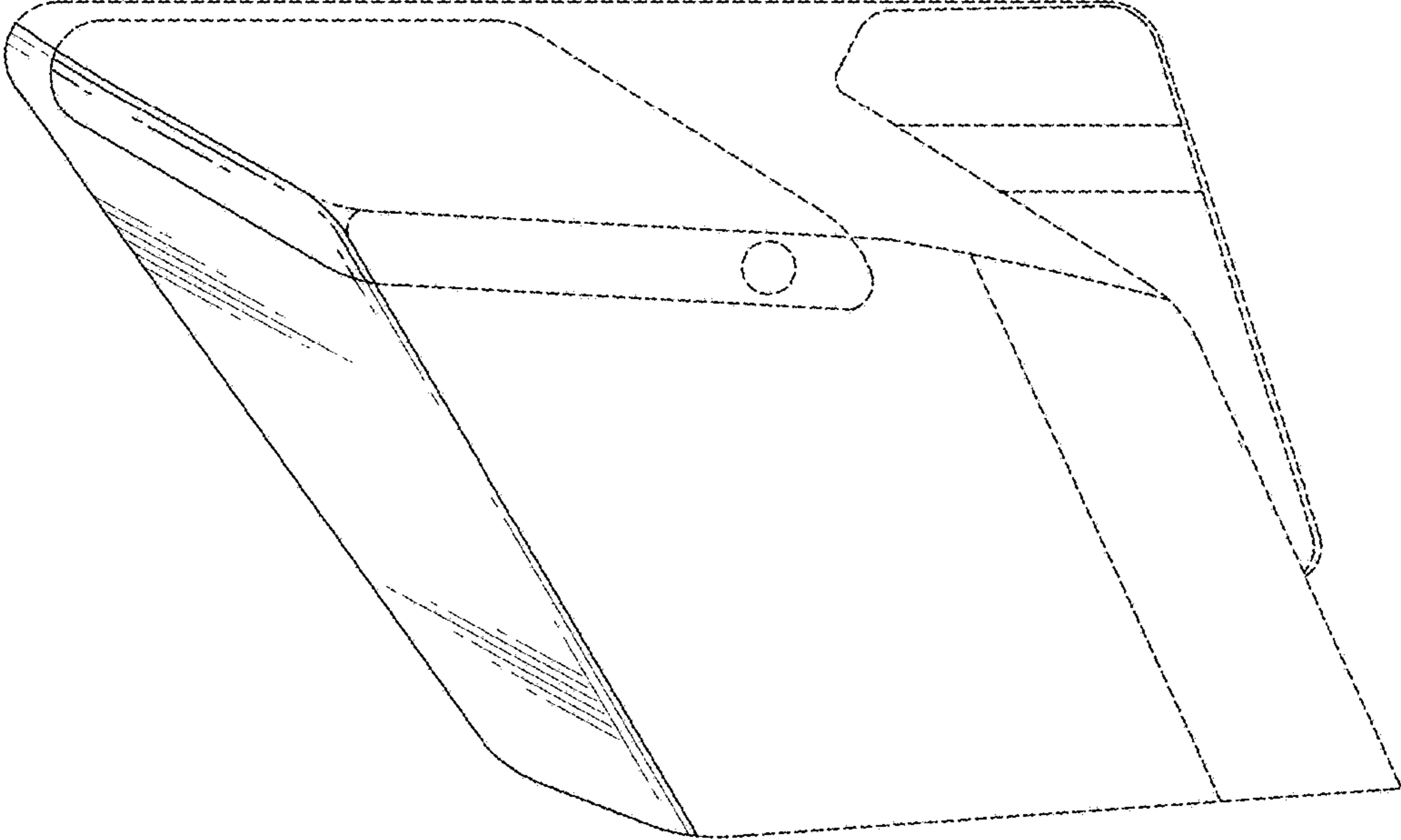


FIG. 3

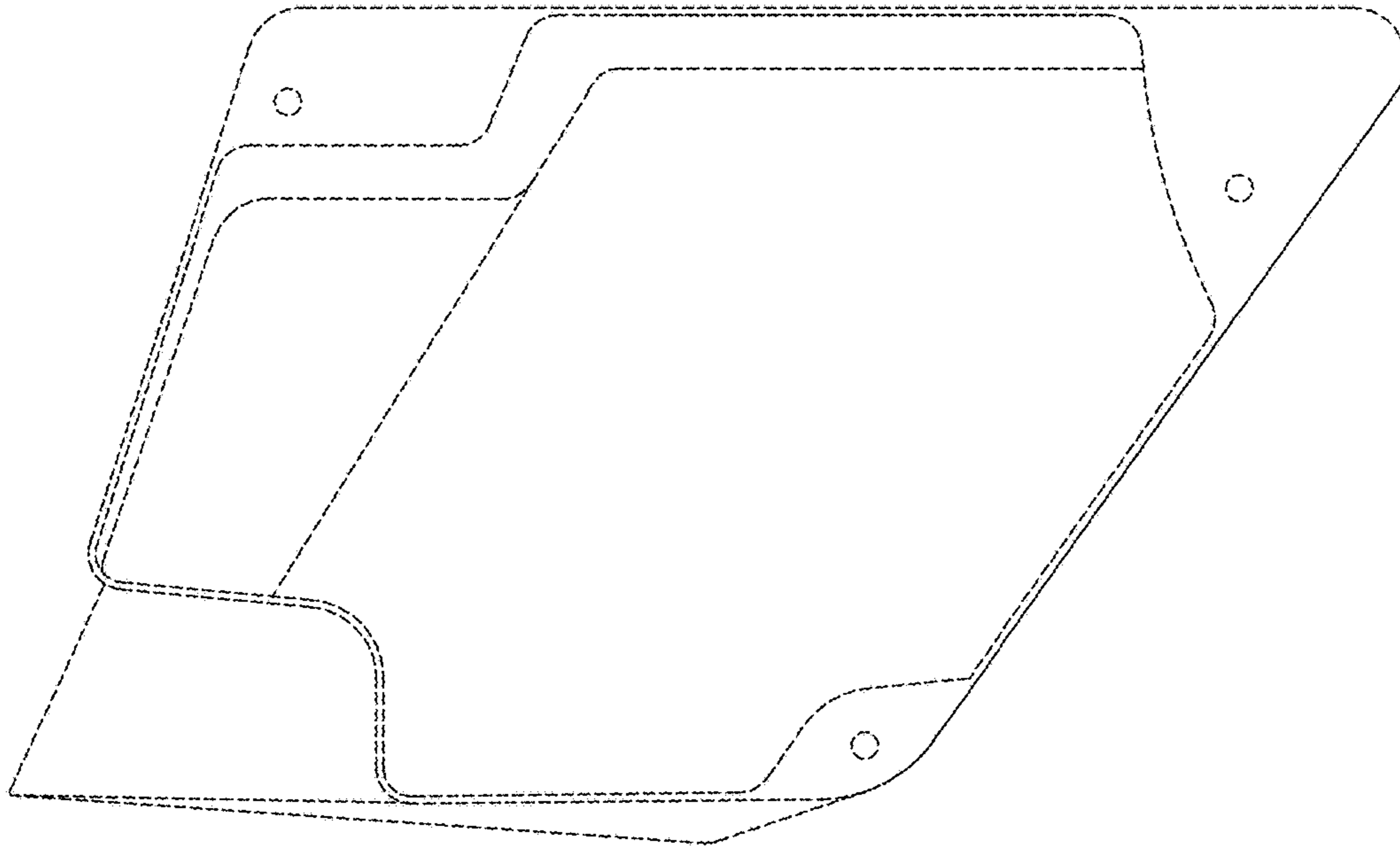


FIG. 4

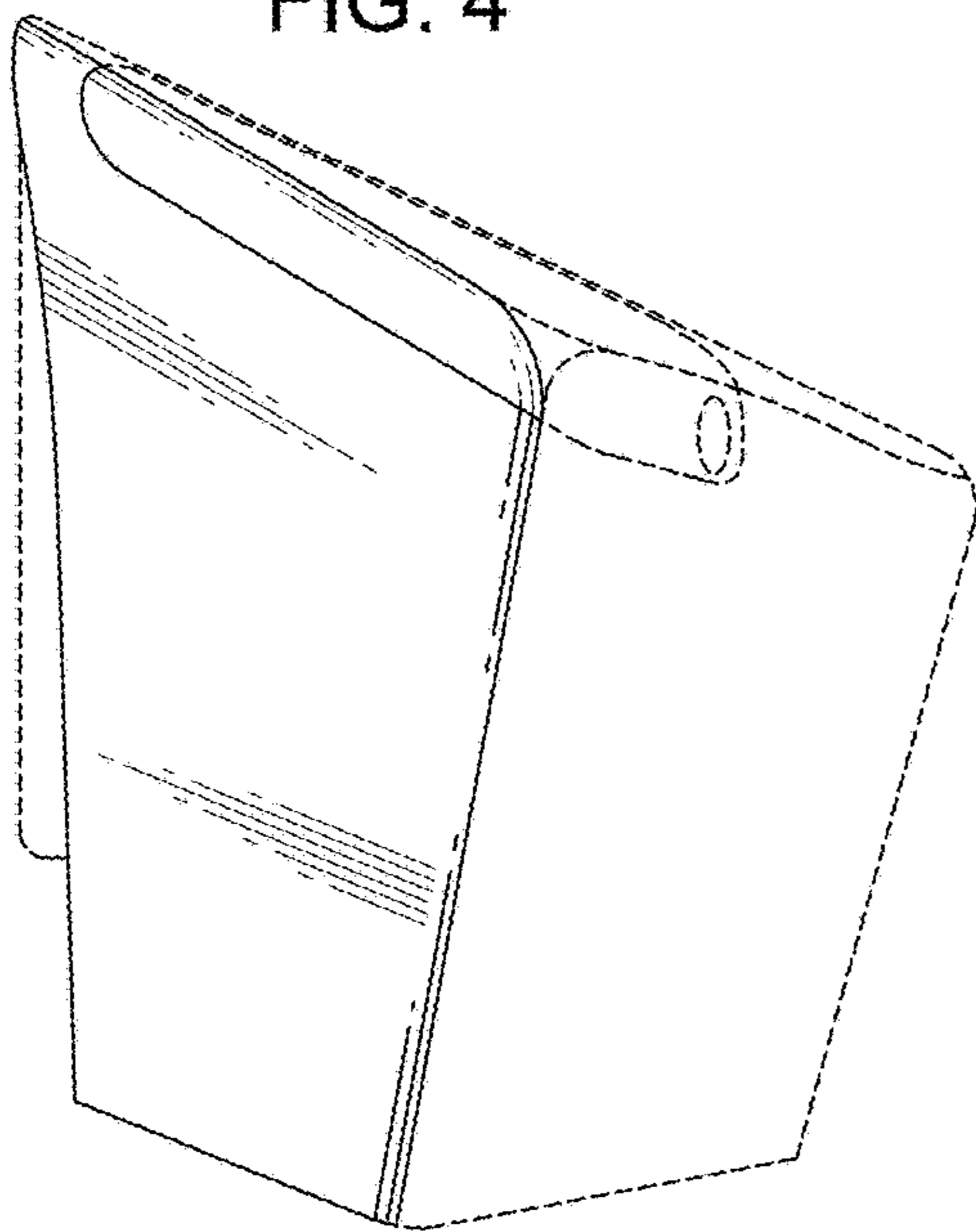


FIG. 5

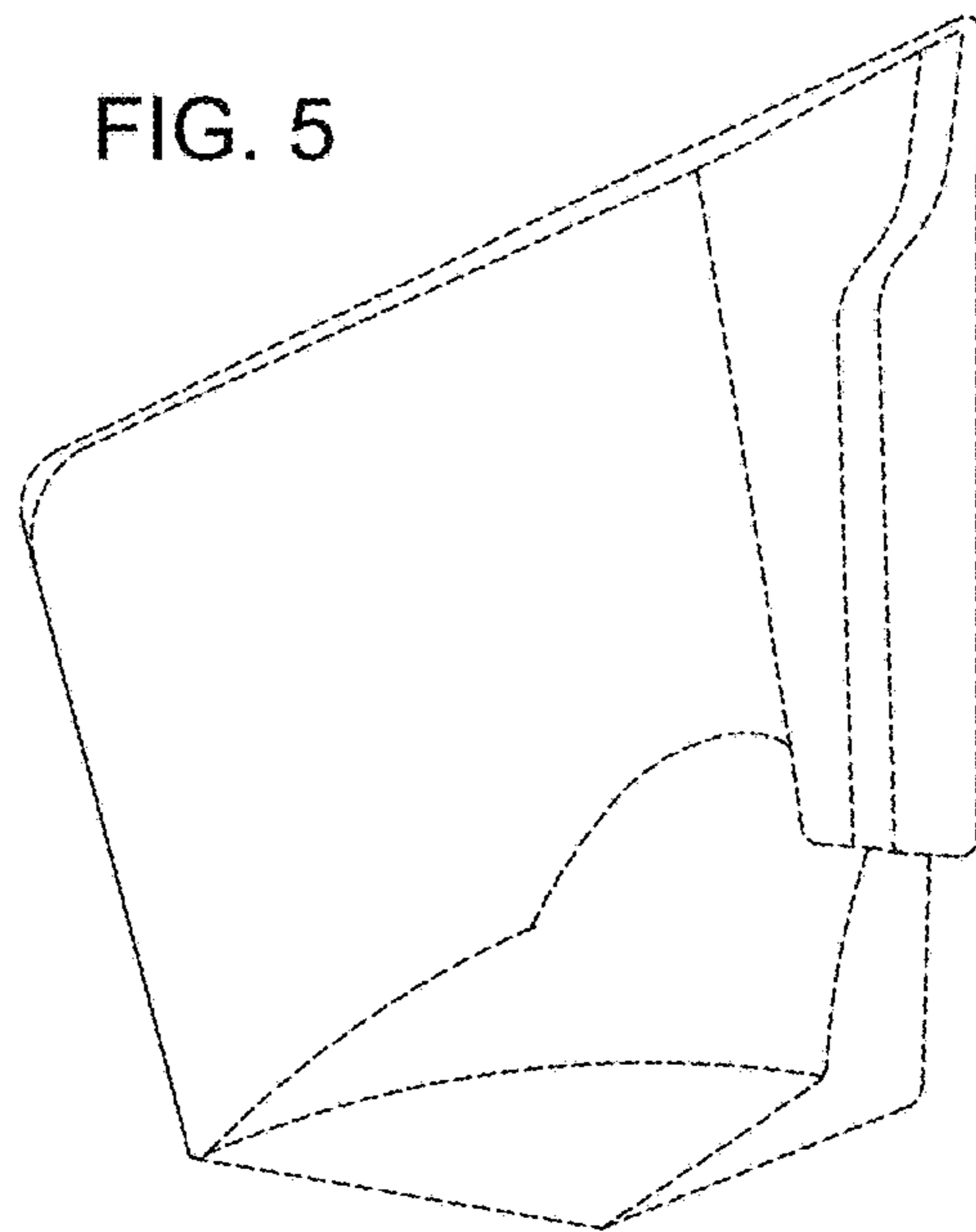


FIG. 6

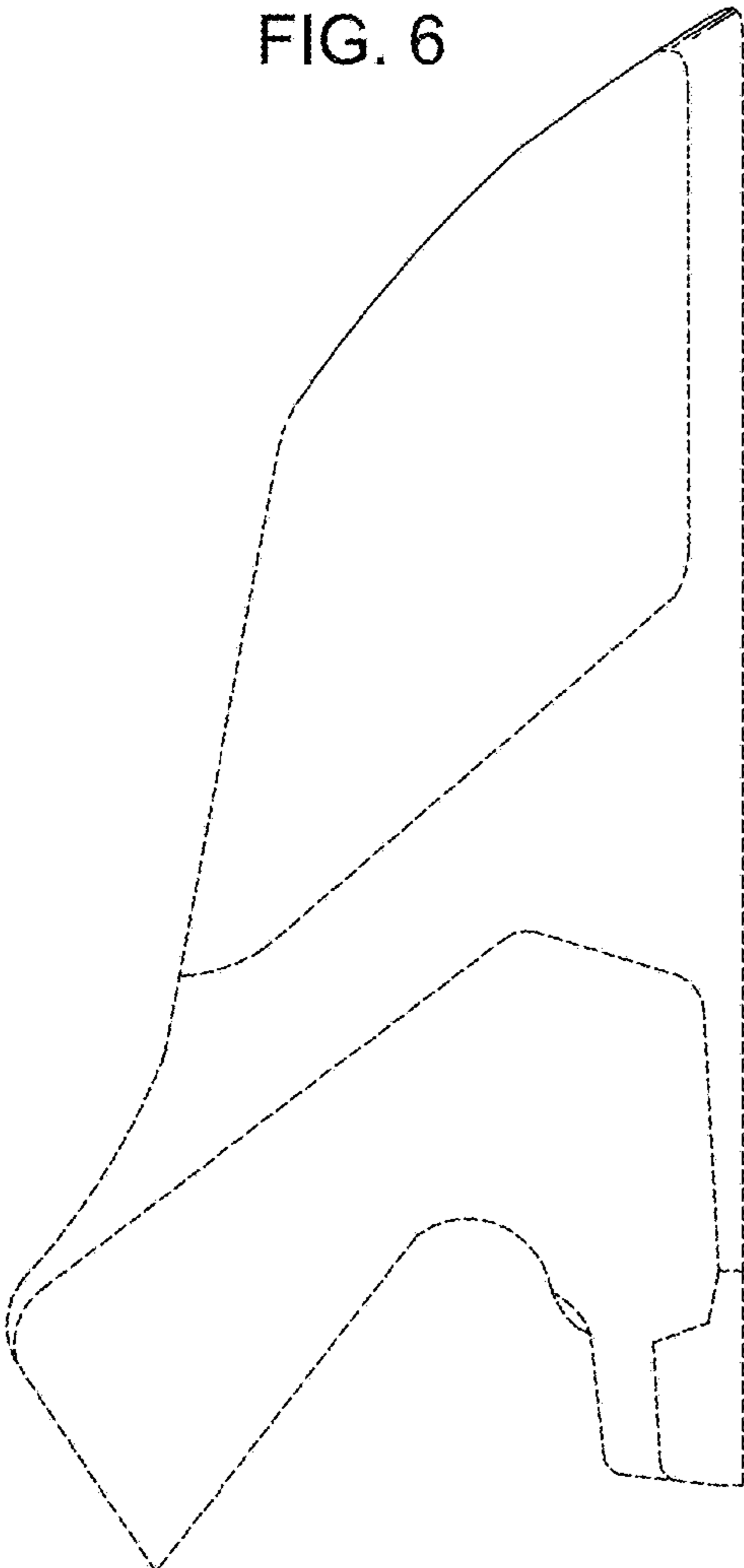


FIG. 7

