

US00D797003S

(12) **United States Design Patent** (10) **Patent No.:** **US D797,003 S**
Qiu (45) **Date of Patent:** **** Sep. 12, 2017**

(54) **ELECTRICALLY ASSISTED BICYCLE**
(71) Applicant: **Hangzhou InnoMake Technology Co., Ltd**, Hangzhou, Zhejia NG (CN)
(72) Inventor: **Yiwu Qiu**, Zhejia NG (CN)
(73) Assignee: **HANGZHOU INNOMAKE TECHNOLOGY CO., LTD.**, Hangzhou, Zhejiang (CN)
(**) Term: **15 Years**
(21) Appl. No.: **29/560,628**
(22) Filed: **Apr. 8, 2016**
(30) **Foreign Application Priority Data**

Oct. 10, 2015 (CN) 2015 3 0391479

(51) **LOC (10) Cl.** **12-11**
(52) **U.S. Cl.**
USPC **D12/111**
(58) **Field of Classification Search**
USPC D12/111, 117, 406, 407
CPC . B62K 3/00; B62K 3/005; B62K 9/00; B62K 19/00; B62K 19/02; B62K 19/04; B62K 19/06; B62K 19/16
See application file for complete search history.

(56) **References Cited**

U.S. PATENT DOCUMENTS

D386,723 S * 11/1997 Fujieda D12/110
D401,534 S * 11/1998 Higashihara D12/110
D414,721 S * 10/1999 Nakamura D12/110
6,148,944 A * 11/2000 Adomi B62M 6/90
180/206.4
7,040,440 B2 * 5/2006 Kurita B62M 6/60
180/206.5
D578,042 S * 10/2008 Yang D12/111

D614,084 S * 4/2010 Tanaka D12/111
D620,400 S * 7/2010 Haller D12/111
D620,401 S * 7/2010 Haller D12/111
D621,302 S * 8/2010 Tanaka D12/111
D621,303 S * 8/2010 Tanaka D12/111
D626,037 S * 10/2010 Thetard D12/111
D665,707 S * 8/2012 Hecken D12/111
8,738,212 B1 * 5/2014 Schieffelin B62M 6/45
180/205.1
D720,260 S * 12/2014 Yoshida D12/111
D727,214 S * 4/2015 Yang D12/111
D727,215 S * 4/2015 Yang D12/111
D730,779 S * 6/2015 Arbour D12/111
D774,972 S * 12/2016 Lambri D12/111
2011/0115193 A1 * 5/2011 Giroux B62H 5/006
280/281.1
2011/0240391 A1 * 10/2011 Bonneville B62M 6/90
180/220
2012/0080252 A1 * 4/2012 Nishimori B62M 6/65
180/65.51
2013/0255336 A1 * 10/2013 Desai E05B 71/00
70/431

(Continued)

Primary Examiner — Darlington Ly

(74) *Attorney, Agent, or Firm* — Muncy, Geissler, Olds & Lowe, P.C.

(57) **CLAIM**

The ornamental design for an electrically assisted bicycle, as shown and described.

DESCRIPTION

FIG. 1 is a perspective view of an electrically assisted bicycle showing my new design;
FIG. 2 is a right side view thereof;
FIG. 3 is a left side view thereof;
FIG. 4 is a top plan view thereof;
FIG. 5 is a bottom plan view thereof;
FIG. 6 is a front elevational view thereof; and,
FIG. 7 is a rear elevational view thereof.

1 Claim, 7 Drawing Sheets



(56)

References Cited

U.S. PATENT DOCUMENTS

2013/0338865 A1* 12/2013 Kryze B60L 11/1851
701/22
2014/0209400 A1* 7/2014 Yao B62M 6/45
180/167
2015/0166012 A1* 6/2015 Simonazzi G08C 17/02
180/167

* cited by examiner



FIG.1



FIG.2



FIG.3

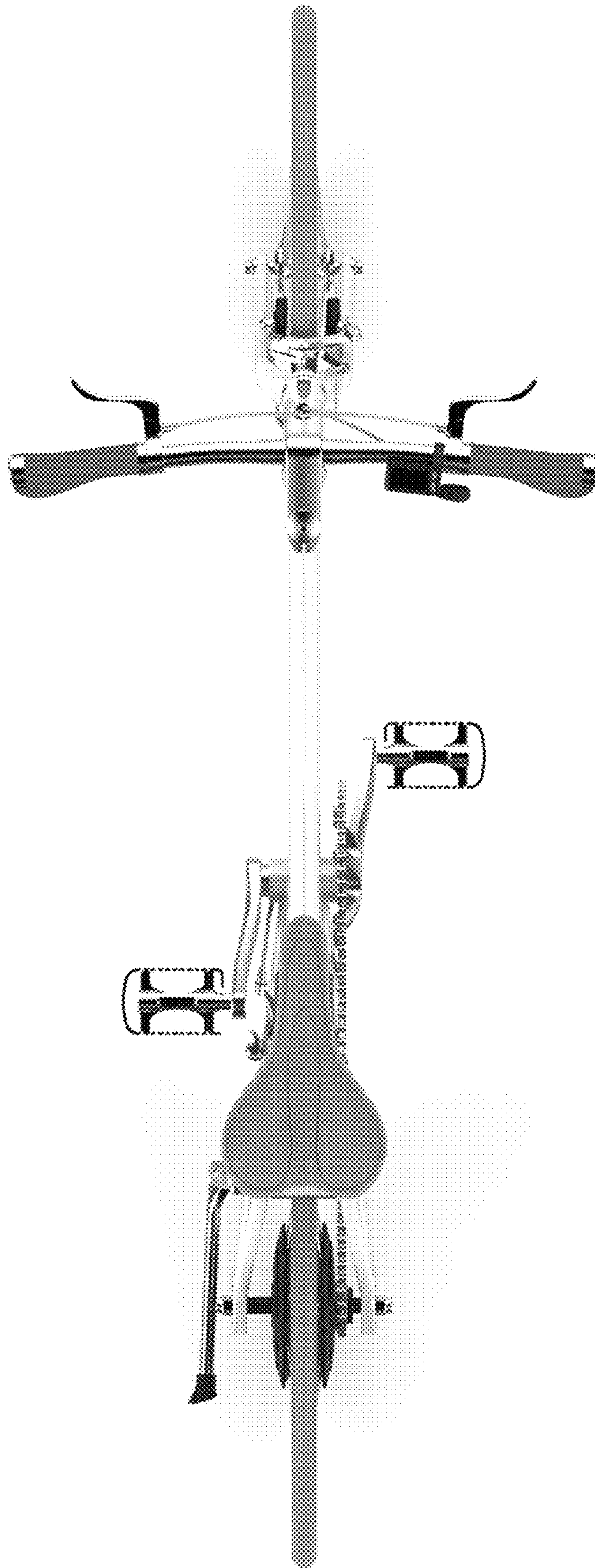


FIG.4

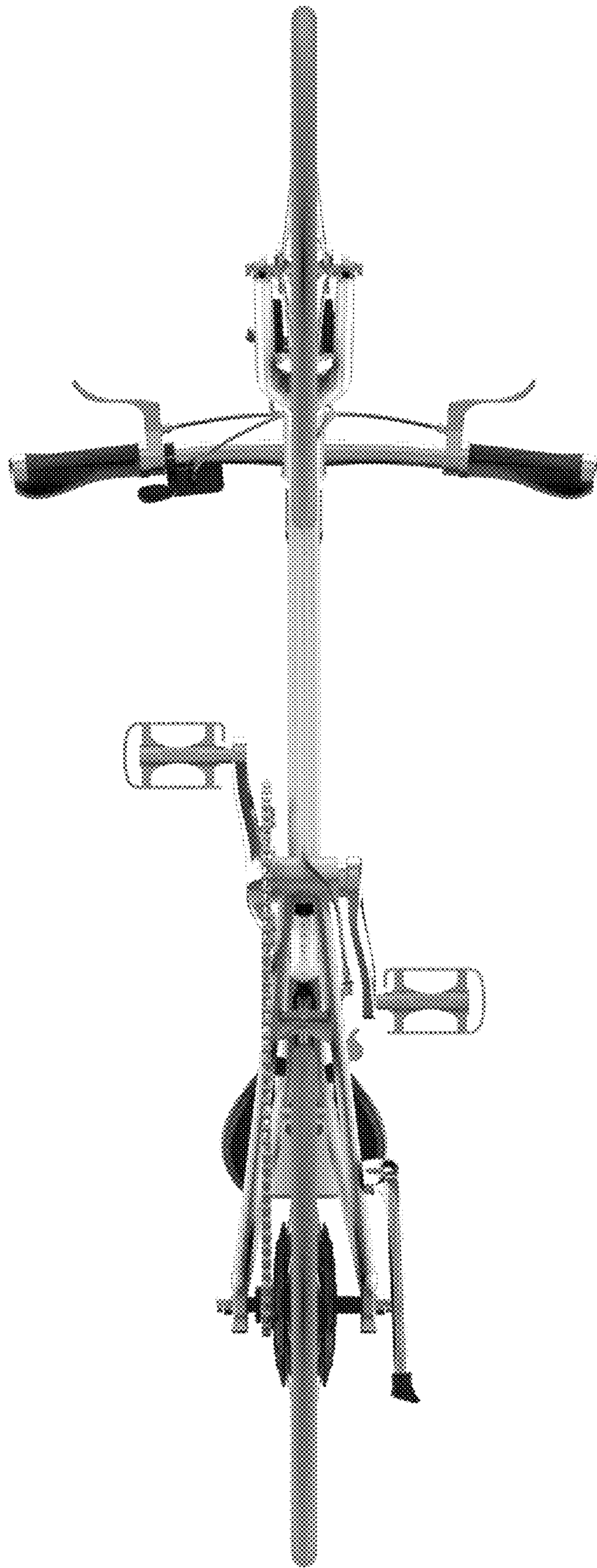


FIG.5



FIG.6



FIG.7