



US00D797001S

(12) **United States Design Patent**
Liu

(10) **Patent No.:** **US D797,001 S**

(45) **Date of Patent:** **** Sep. 12, 2017**

(54) **BIKE TRAILER CONNECTOR**

(71) Applicant: **Cheh-Kang Liu**, Taipei (TW)

(72) Inventor: **Cheh-Kang Liu**, Taipei (TW)

(**) Term: **15 Years**

(21) Appl. No.: **29/572,486**

(22) Filed: **Jul. 28, 2016**

(51) **LOC (10) Cl.** **12-10**

(52) **U.S. Cl.**
USPC **D12/106**

(58) **Field of Classification Search**
USPC D12/190, 106, 192, 400, 90, 191, 92,
D12/199, 197, 186, 171, 169, 163, 110,
D12/114; D11/211, 181, 157, 133, 172;
D20/11, 23, 24, 25, 30, 31, 32
CPC B60J 10/35; B60J 10/02; B60J 10/0011
See application file for complete search history.

(56) **References Cited**

U.S. PATENT DOCUMENTS

D306,417 S *	3/1990	Godbersen	D12/106
D310,799 S *	9/1990	van der Merwe	D12/106
D349,800 S *	8/1994	Chambers	D12/106
D358,698 S *	5/1995	Henry	D12/106
D376,336 S *	12/1996	Unruh	D12/101

D390,503 S *	2/1998	Gleason	D12/106
D414,307 S *	9/1999	Quaas	D12/106
D550,589 S *	9/2007	Brockington	D12/106
D658,549 S *	5/2012	Neumann	D12/106
D704,105 S *	5/2014	Seidenberg	D12/106
D705,703 S *	5/2014	Seidenberg	D12/106
D744,379 S *	12/2015	Penner	D12/106

* cited by examiner

Primary Examiner — Katrina A Betton

(74) *Attorney, Agent, or Firm* — Jackson IPG PLLC;
Demian K. Jackson

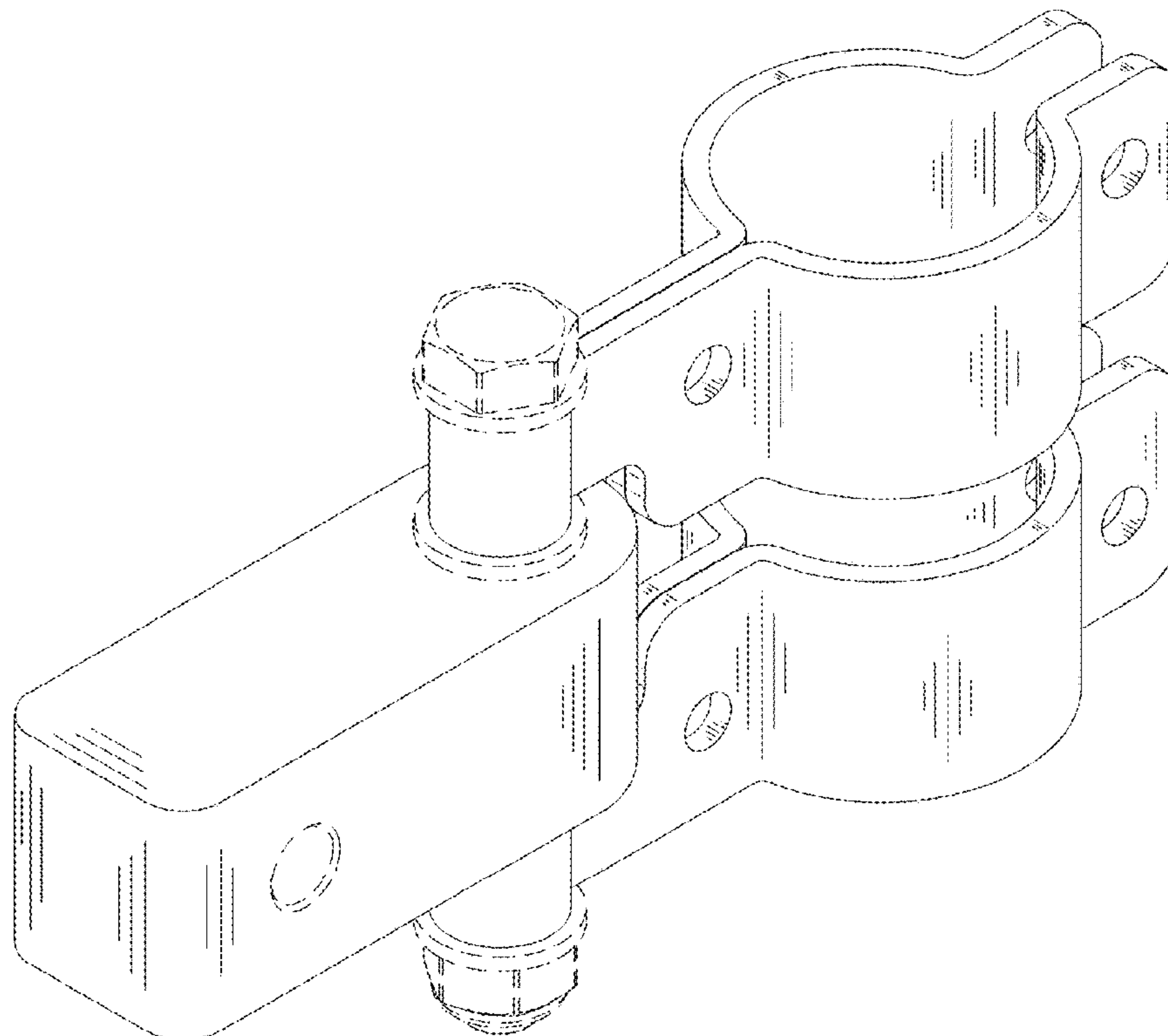
(57) **CLAIM**

The ornamental design for bike trailer connector, as shown and described.

DESCRIPTION

FIG. 1 is a perspective view of a bike trailer connector showing my new design;
FIG. 2 is a front elevational view thereof;
FIG. 3 is a rear elevational view thereof;
FIG. 4 is a left side elevational view thereof;
FIG. 5 is a right side elevational view thereof;
FIG. 6 is a top plan view thereof;
FIG. 7 is a bottom plan view thereof; and,
FIG. 8 illustrates the design used in a bike trailer.
Those portions of the illustrated design indicated by broken line form no part of the claimed design.

1 Claim, 7 Drawing Sheets



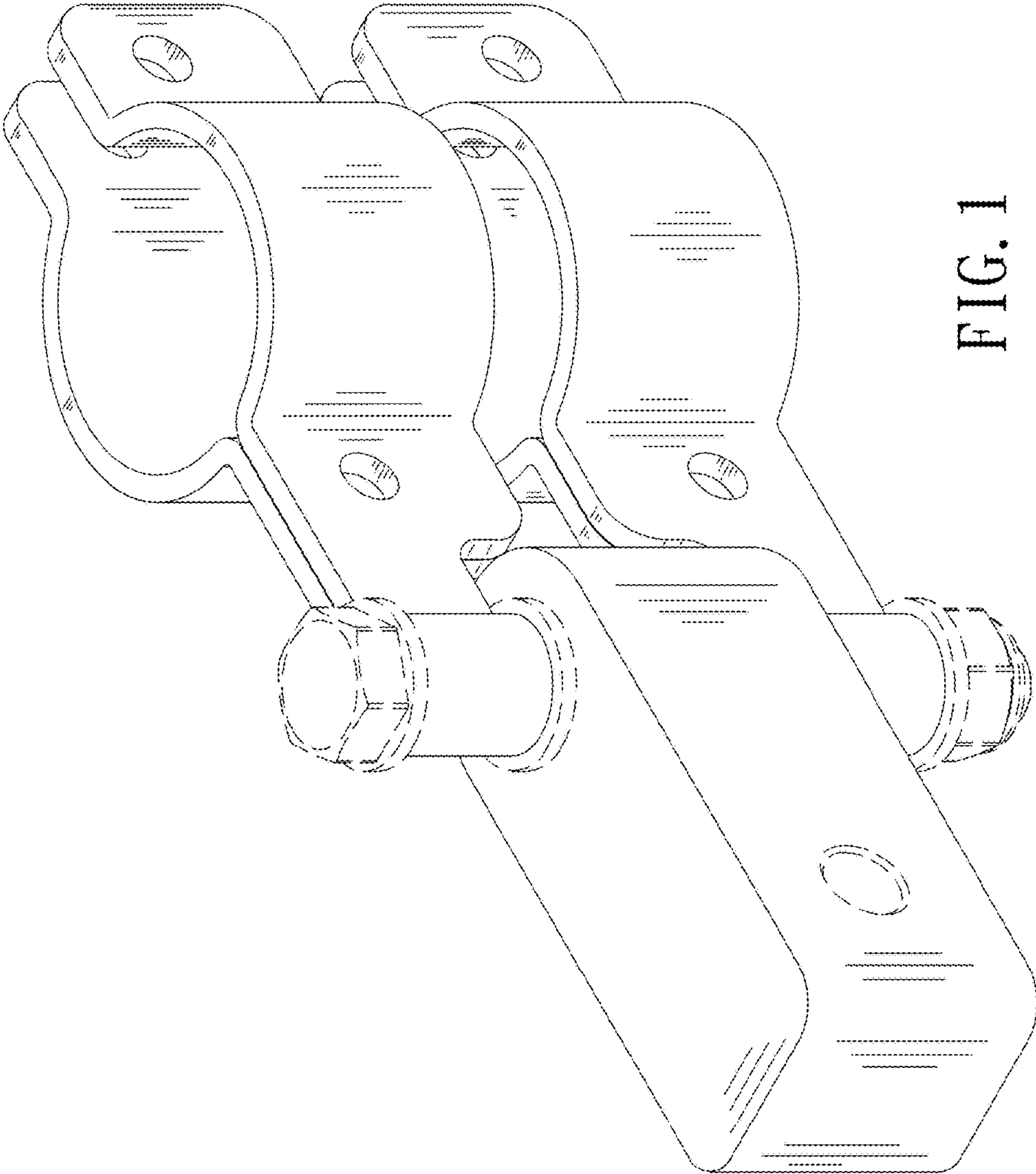


FIG. 1

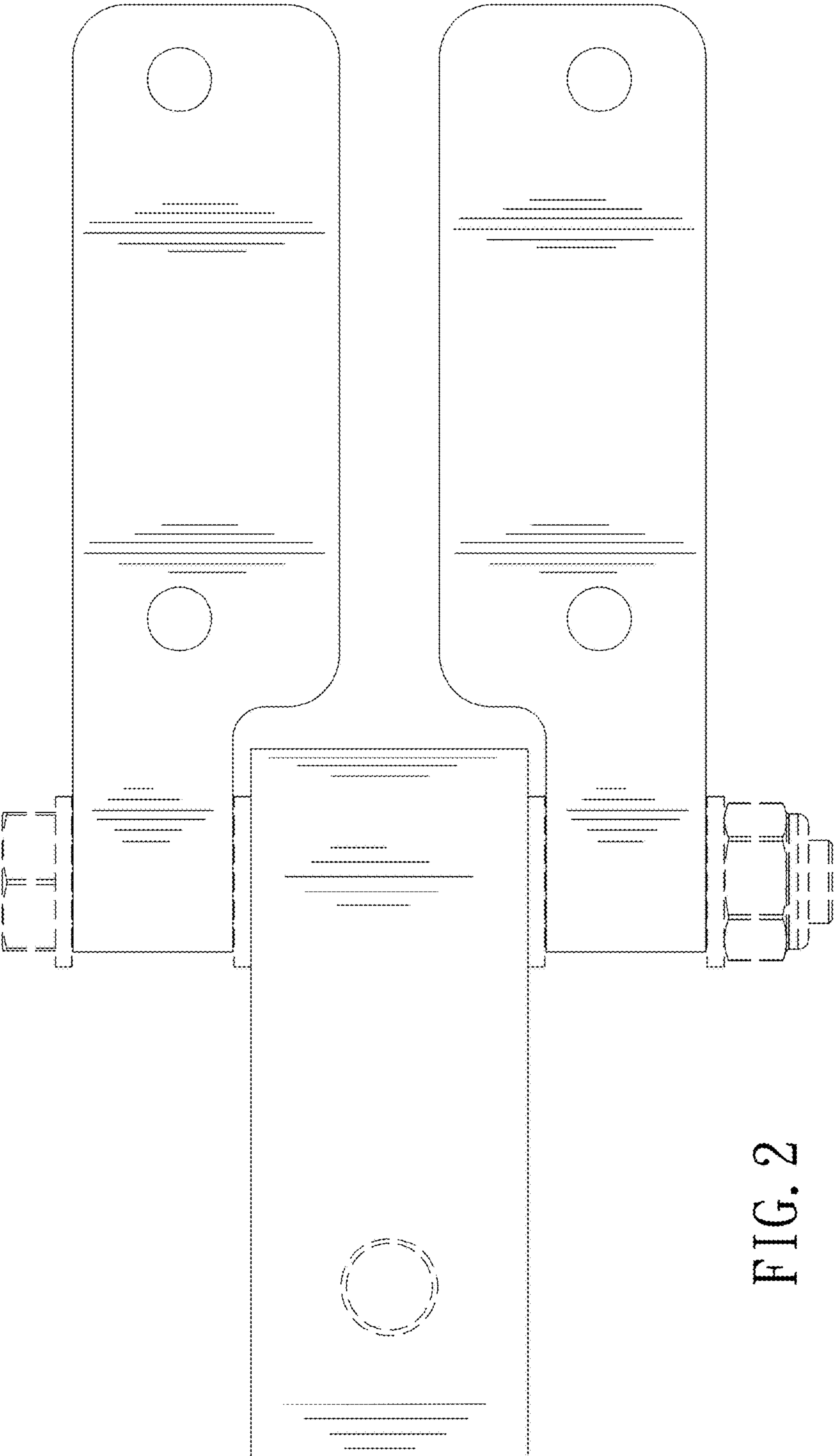


FIG. 2

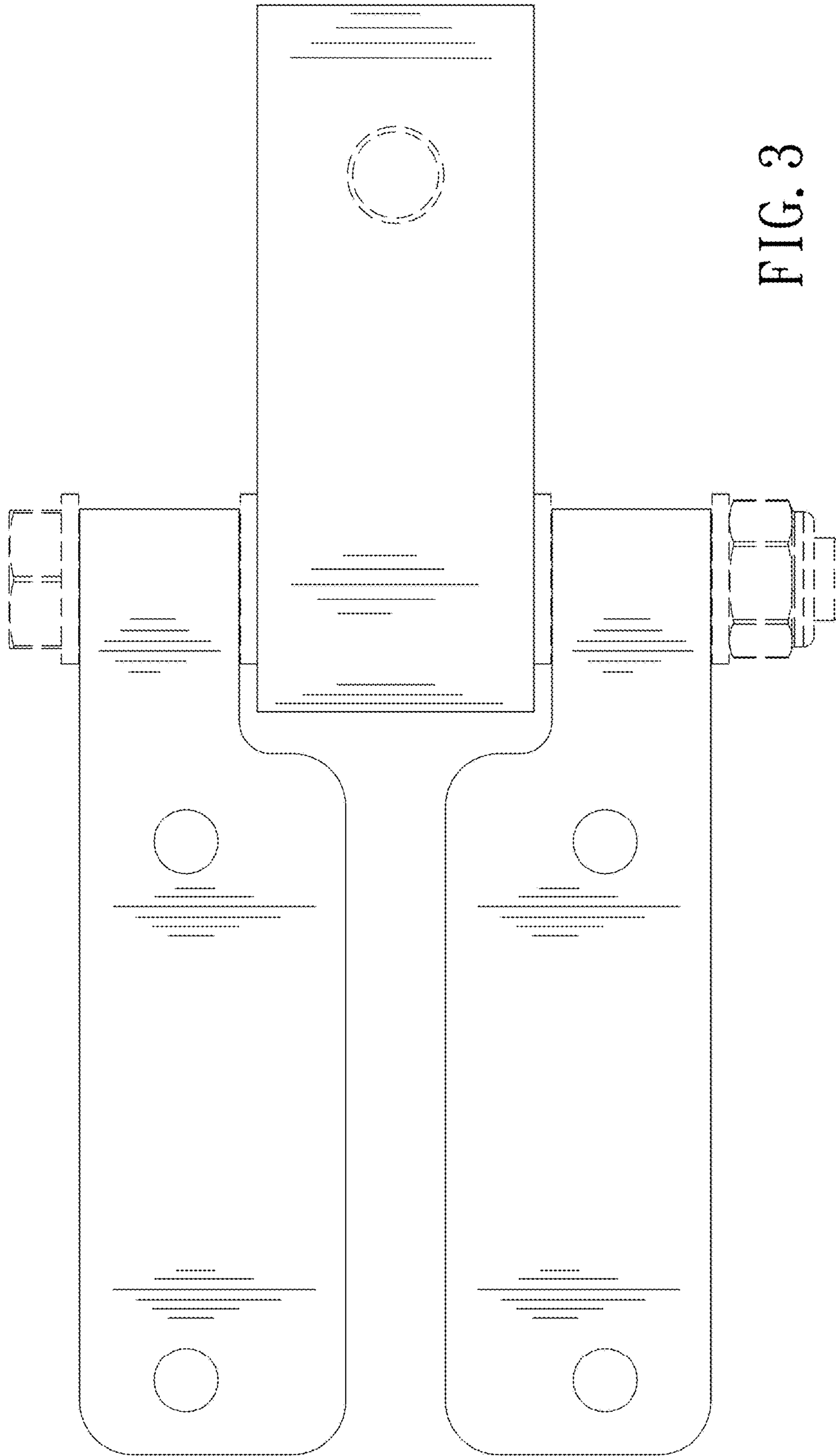


FIG. 3

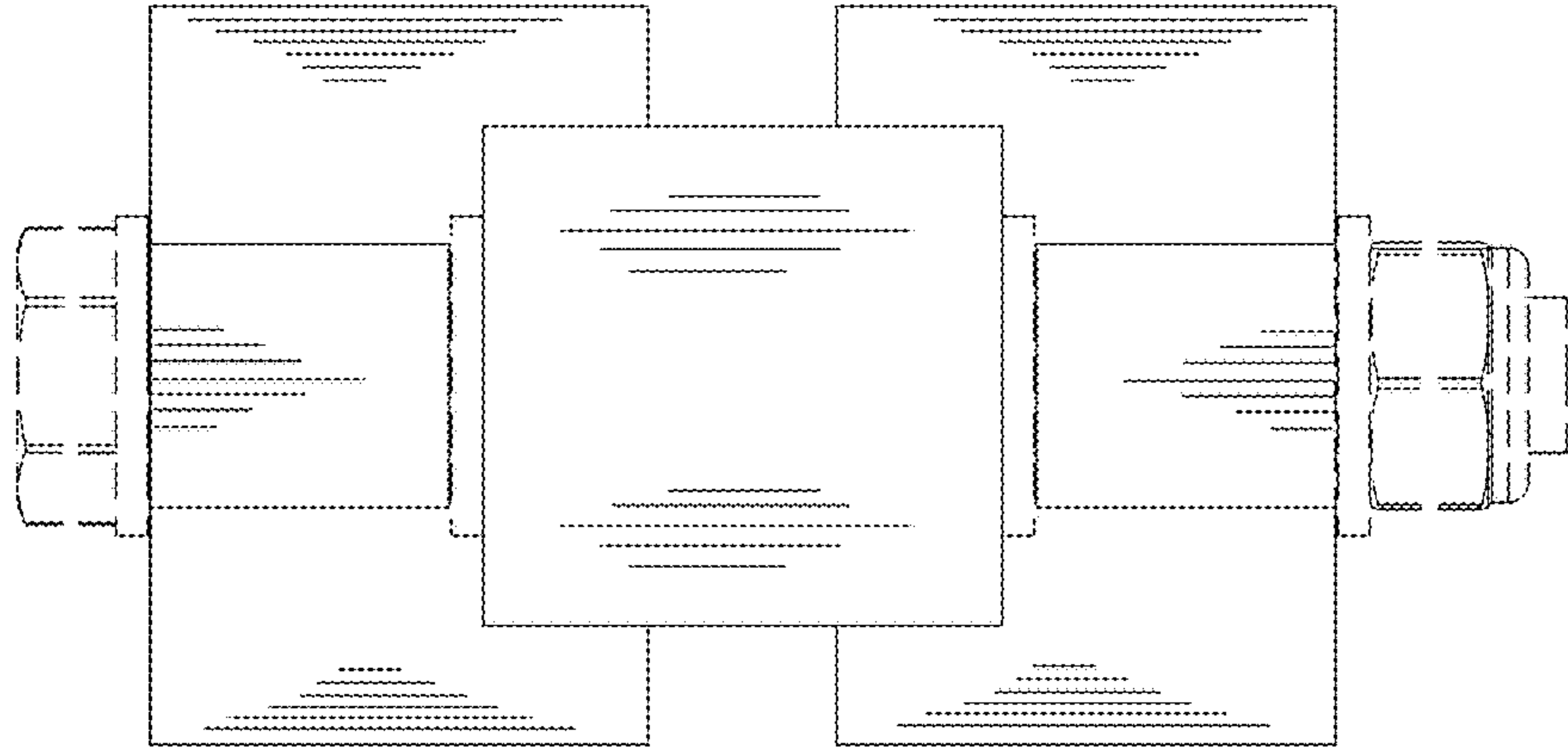


FIG. 4

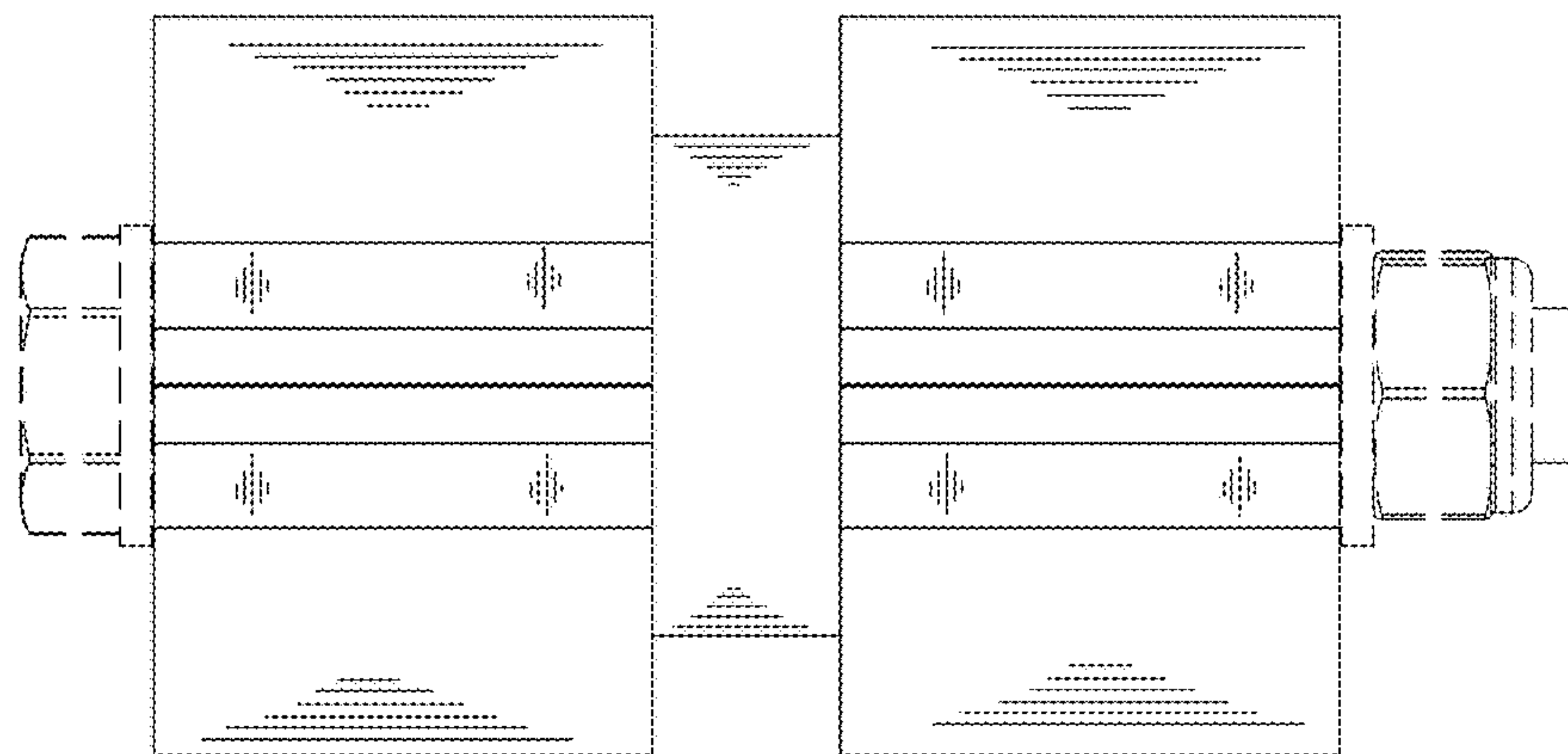


FIG. 5

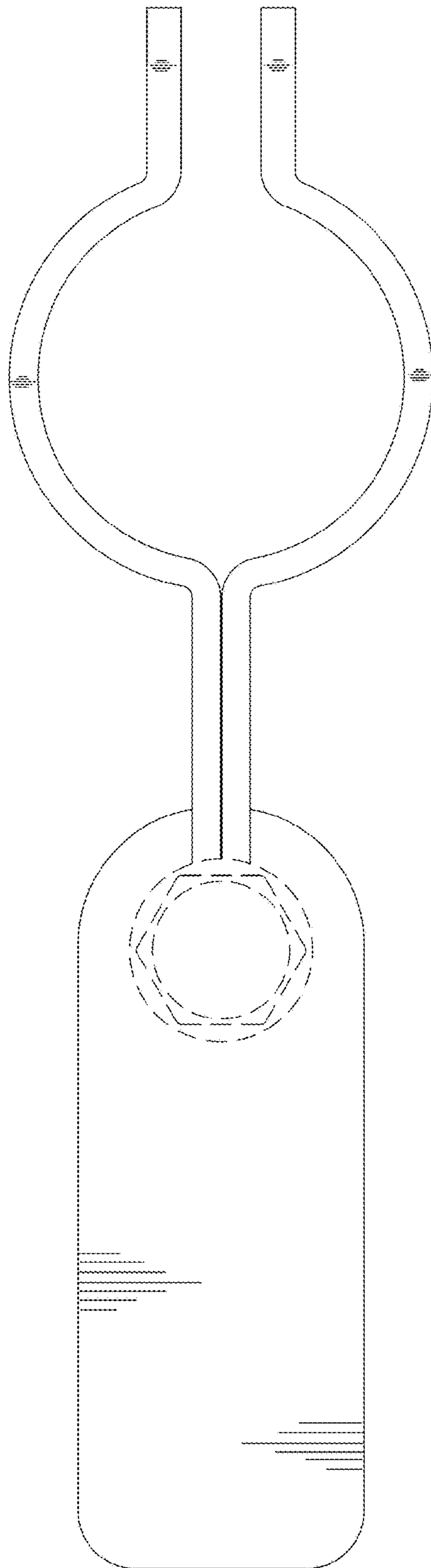


FIG. 6

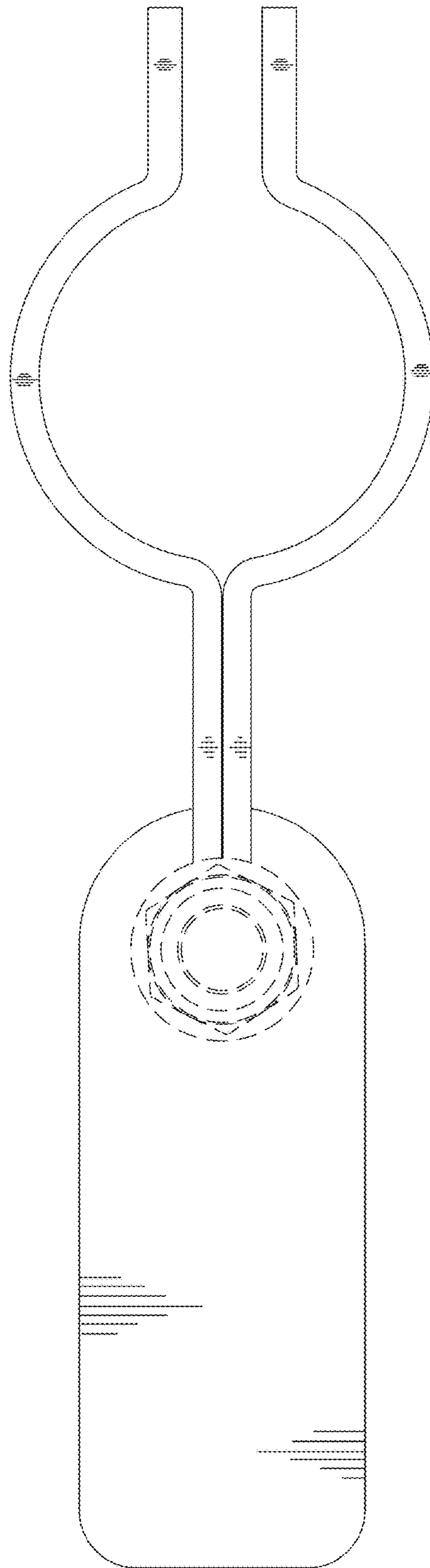


FIG. 7

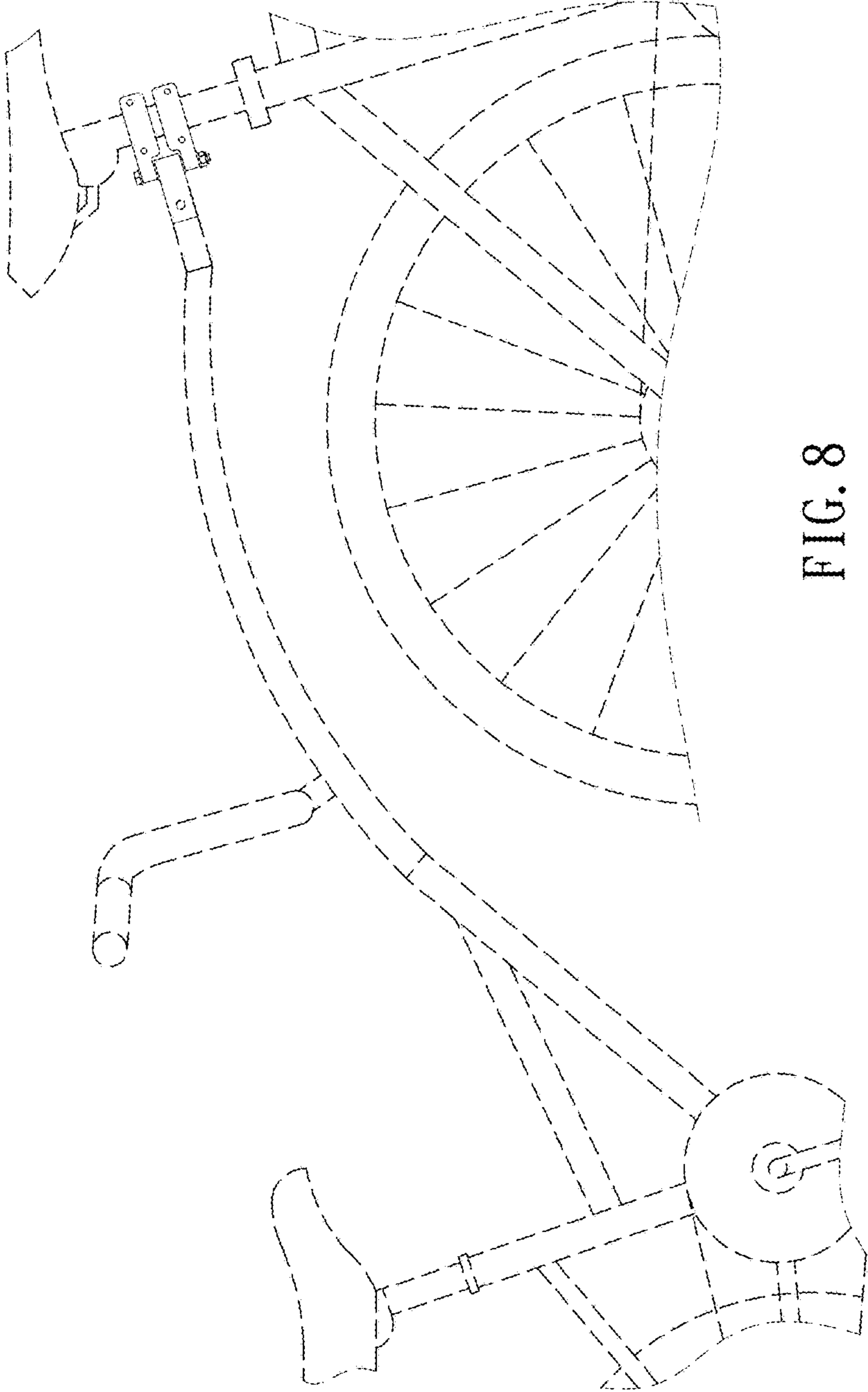


FIG. 8