



US00D796991S

(12) **United States Design Patent**
Hong et al.

(10) **Patent No.:** **US D796,991 S**
(45) **Date of Patent:** **** Sep. 12, 2017**

(54) **WRISTBAND FOR ELECTRONIC DEVICE**

3,609,963 A * 10/1971 Ichinose A44C 5/24
224/176

(71) Applicant: **Samsung Electronics Co., Ltd.**,
Suwon-si (KR)

4,326,321 A * 4/1982 Colognori A44C 5/14
16/229

(72) Inventors: **Jaehyung Hong**, Seoul (KR);
Yongseok Bang, Yongin-si (KR); **Miri Lee**,
Namyangju-si (KR); **In Sik Chung**, Seoul (KR)

4,382,318 A * 5/1983 Takimoto A44C 5/2042
24/188

* cited by examiner

(73) Assignee: **SAMSUNG ELECTRONICS CO., LTD.**,
Suwon-si (KR)

Primary Examiner — Zenia Bennett

(74) *Attorney, Agent, or Firm* — McAndrews Held &
Malloy, Ltd.

(**) Term: **15 Years**

(57) **CLAIM**

(21) Appl. No.: **29/555,232**

The ornamental design for a wristband for electronic device,
as shown and described.

(22) Filed: **Feb. 19, 2016**

(30) **Foreign Application Priority Data**

DESCRIPTION

Nov. 5, 2015 (KR) 30-2015-0055835

(51) **LOC (10) Cl.** **11-01**

(52) **U.S. Cl.**
USPC **D11/94**

(58) **Field of Classification Search**
USPC D11/1-25, 32, 93, 94; 63/1.11, 3, 3.1,
63/3.2, 5.1, 5.2, 7-11; 59/78, 79.2;
224/175; D10/30-32

FIG. 1 is a front perspective view of a wristband for
electronic device showing our new design;
FIG. 2 is a front elevation view thereof;
FIG. 3 is a rear elevation view thereof;
FIG. 4 is a left side elevation view thereof;
FIG. 5 is a right side elevation view thereof;
FIG. 6 is a top plan view thereof;
FIG. 7 is a bottom plan view thereof; and,
FIG. 8 is an enlarged front perspective view of the area
encircled in FIG. 1.

CPC A44C 5/00; A44C 5/0084; A44C 5/102;
A44C 5/105; A44C 5/107; A44C 5/185
See application file for complete search history.

The dashed broken lines in the figures represent unclaimed
portions of the wristband and form no part of the claimed
design.

(56) **References Cited**

U.S. PATENT DOCUMENTS

The dot-dot-dash broken lines in FIGS. 1 and 8 encircle a
portion of the claimed design that is illustrated in enlarge-
ments and form no part of the claimed design.

2,163,208 A * 6/1939 Moody A44C 5/14
224/177
3,237,395 A * 3/1966 Bennett A44C 5/08
224/175

1 Claim, 8 Drawing Sheets

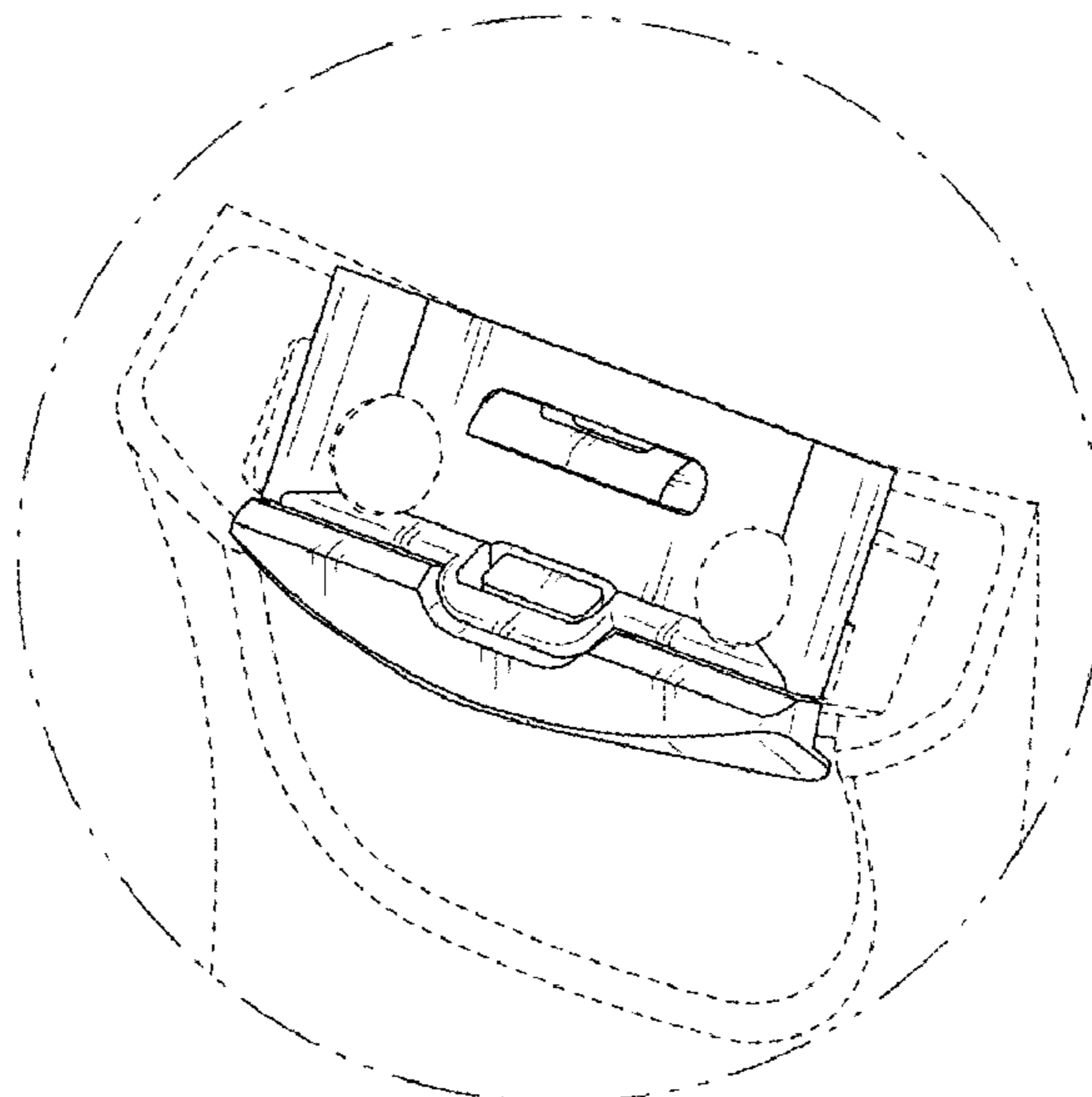


FIG. 1

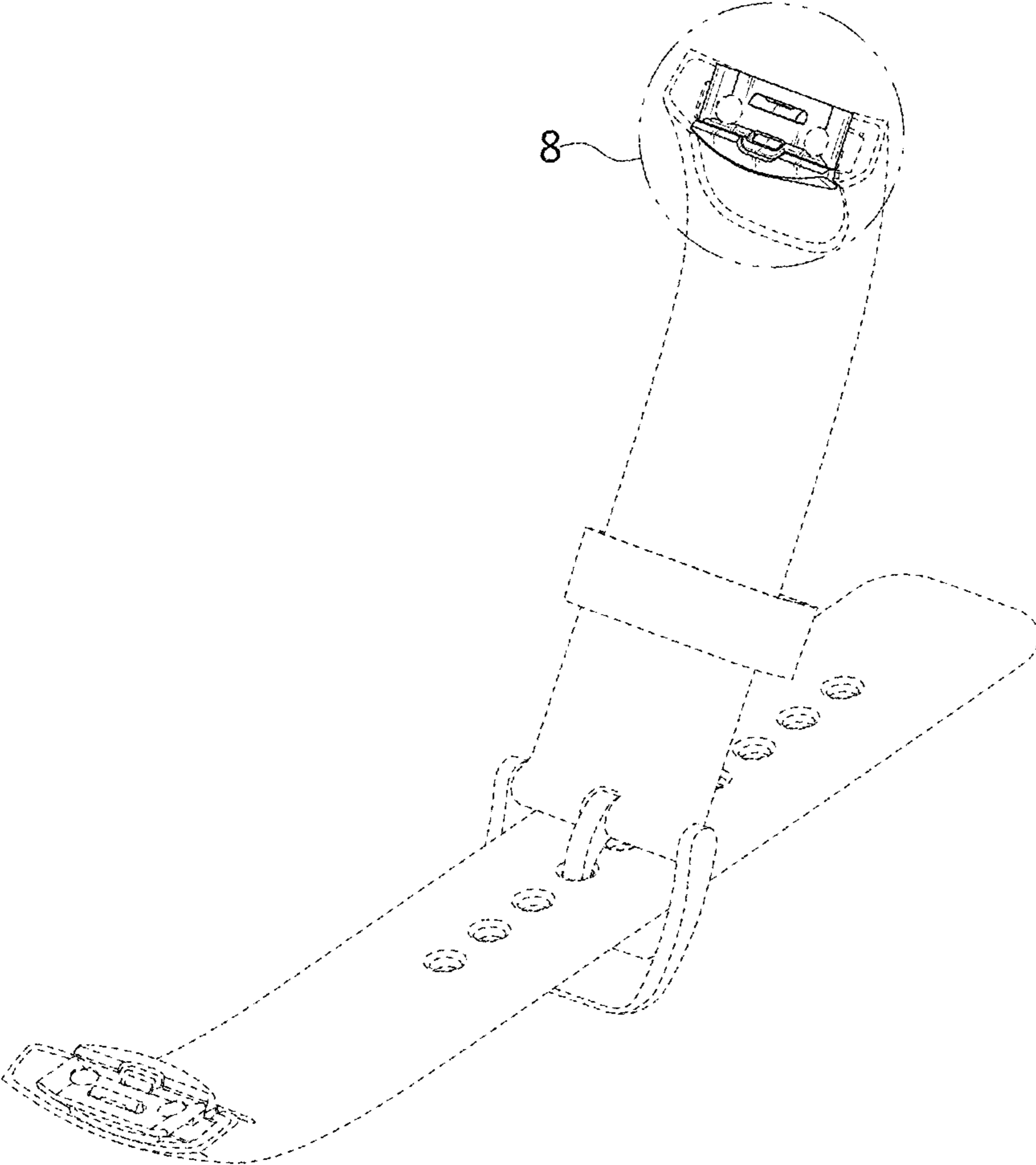


FIG. 2

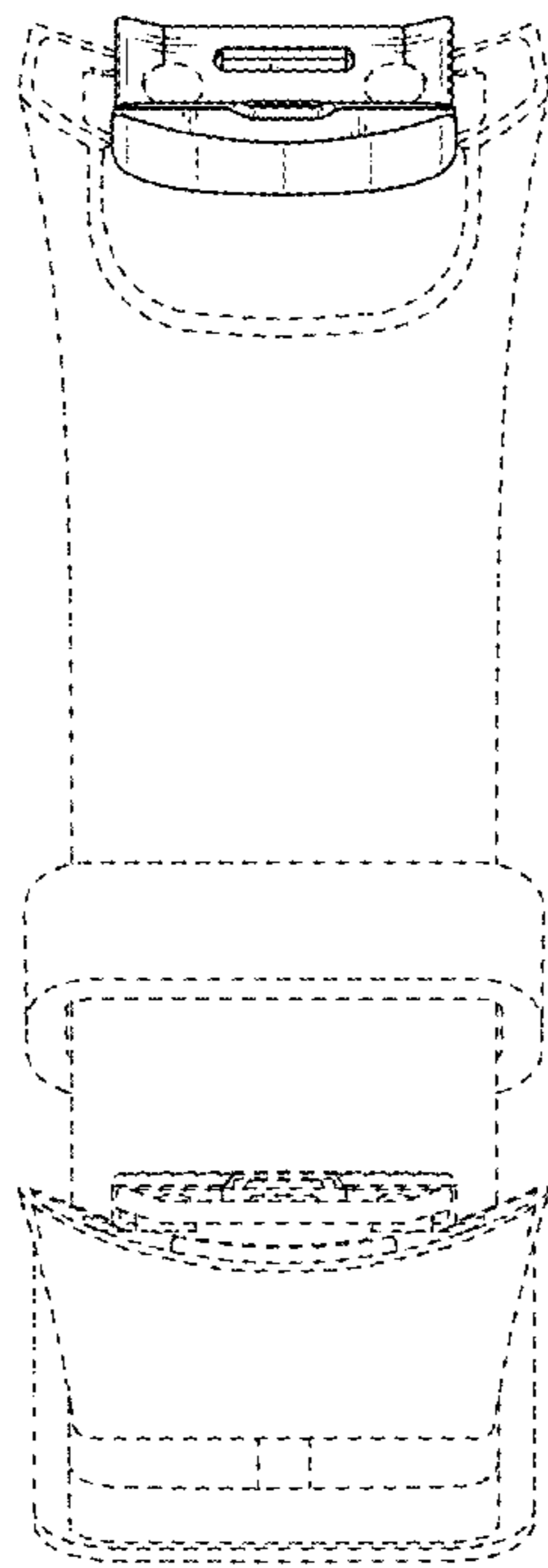


FIG. 3

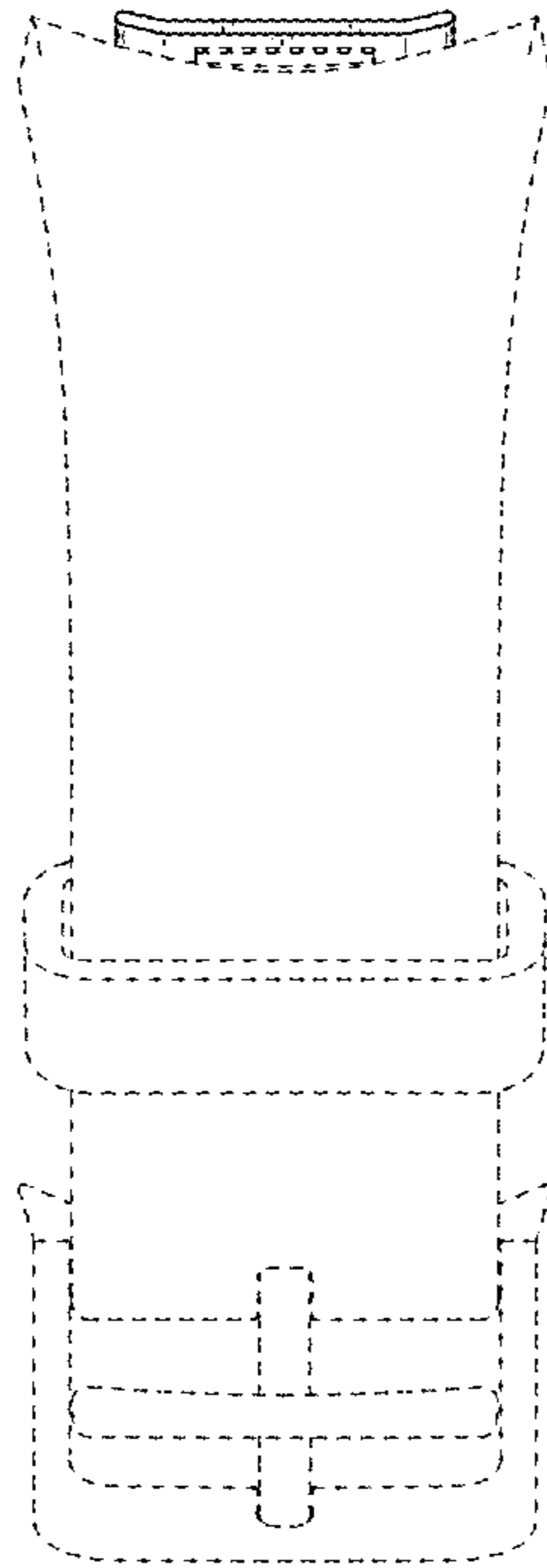


FIG. 4

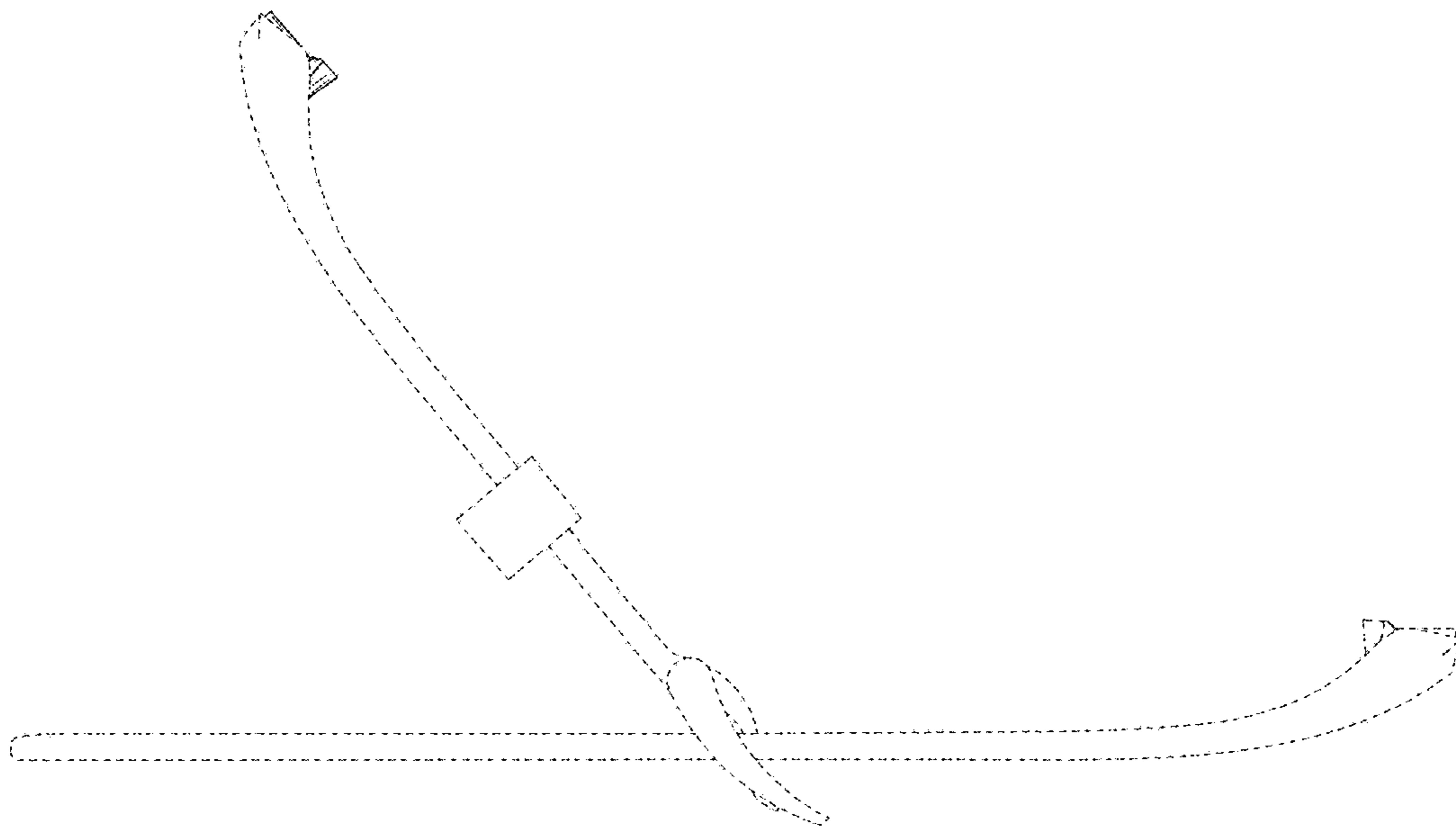


FIG. 5

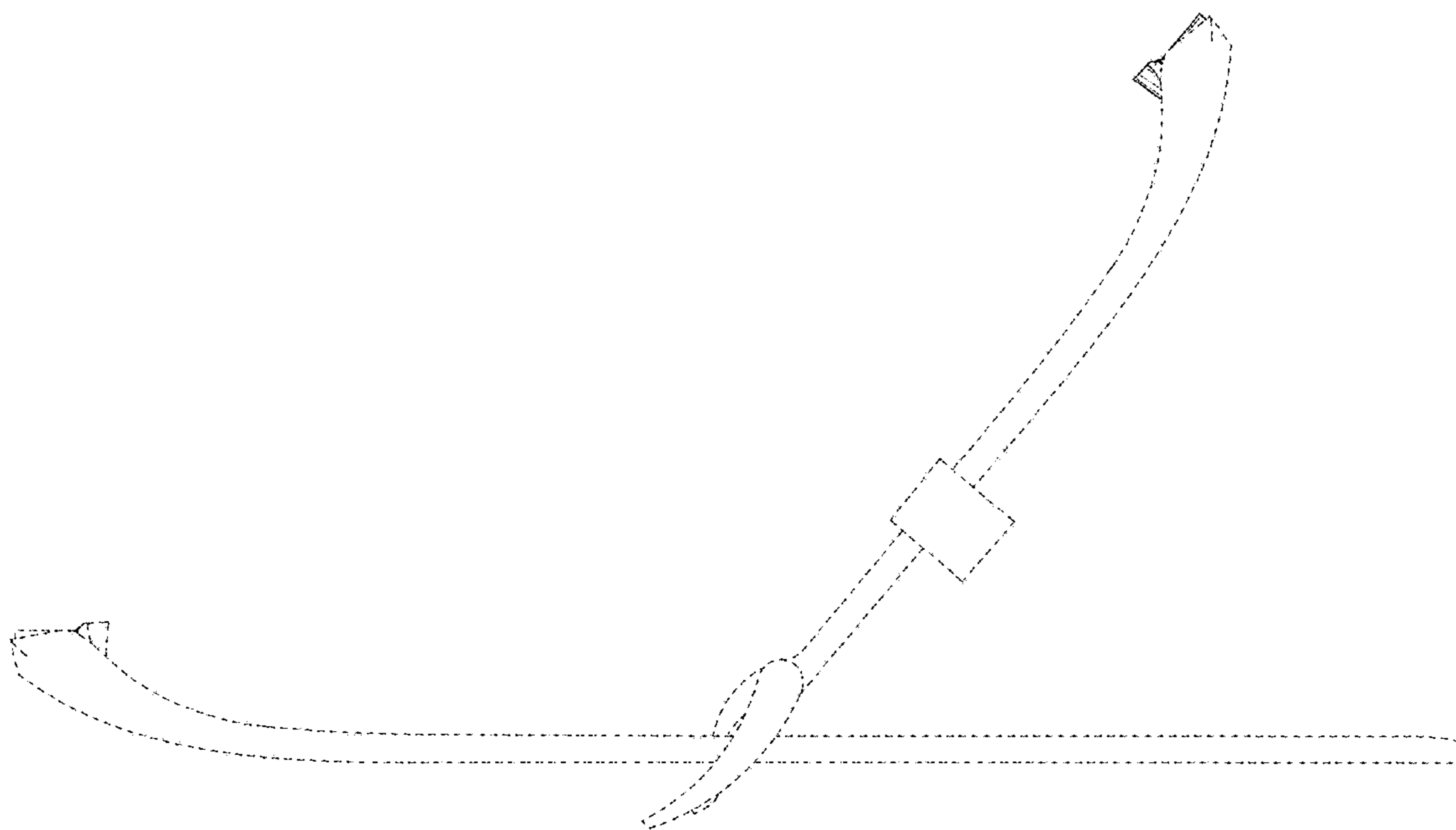


FIG. 6

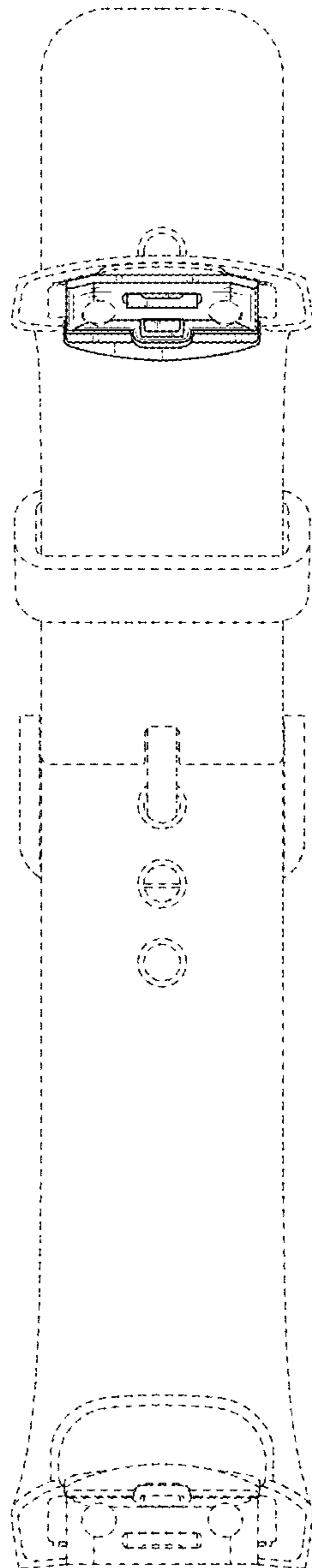


FIG. 7

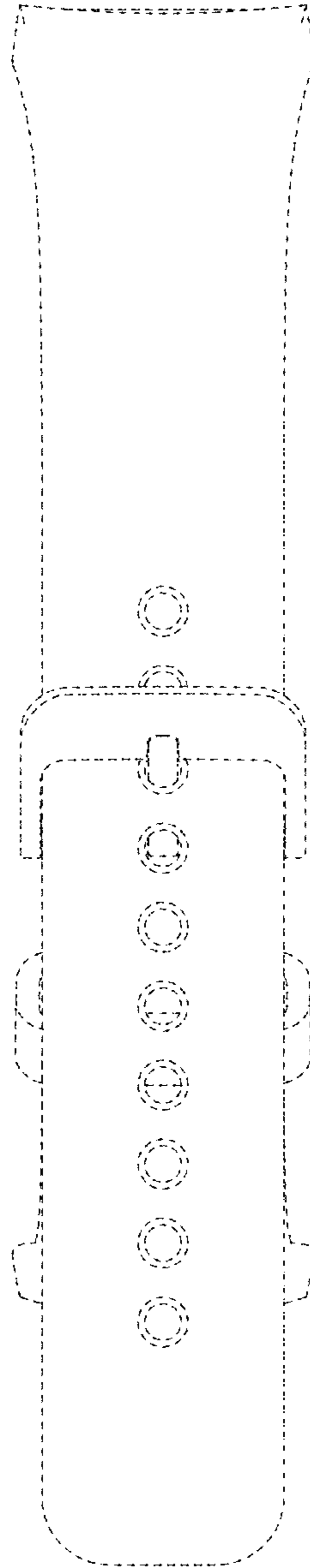


FIG. 8

