



US00D796988S

(12) **United States Design Patent**
Wilhiem

(10) **Patent No.:** **US D796,988 S**

(45) **Date of Patent:** **** Sep. 12, 2017**

(54) **TRIPLE CUT GEMSTONE**

D742,782 S 11/2015 Slowinski
D751,454 S * 3/2016 Shah D11/90
D752,473 S 3/2016 Slowinski

(71) Applicant: **Daniel Wilhiem**, Ramat Gan (IL)

(72) Inventor: **Daniel Wilhiem**, Ramat Gan (IL)

(**) Term: **15 Years**

(21) Appl. No.: **29/602,821**

(22) Filed: **May 3, 2017**

(51) **LOC (10) Cl.** **11-01**

(52) **U.S. Cl.**
USPC **D11/89**

(58) **Field of Classification Search**
USPC D11/1-2, 26-29, 89-92; 63/32
CPC A44C 17/00; A44C 17/01
See application file for complete search history.

(56) **References Cited**

U.S. PATENT DOCUMENTS

4,555,916 A	12/1985	Grossbard	
D350,708 S	* 9/1994	Bachar D11/90
D447,083 S	8/2001	Rokah	
D454,517 S	3/2002	Yuan et al.	
D501,155 S	* 1/2005	Tolkowsky D11/90
D560,544 S	1/2008	Mosmann	
D587,618 S	3/2009	Bartl	
D593,898 S	6/2009	Schneider	
D603,746 S	11/2009	Schneider	
D674,313 S	* 1/2013	Siman-Tov D11/90
D688,971 S	9/2013	Rydlewicz	

FOREIGN PATENT DOCUMENTS

CN	201230198305.X	9/2012
CN	104490025	4/2015
CZ	000934153-0003	11/2008
EM	000941620-0002	7/2008
GB	2472805	2/2011

* cited by examiner

Primary Examiner — Ralf T Seifert

(74) *Attorney, Agent, or Firm* — Gottlieb, Rackman & Resiman, PC

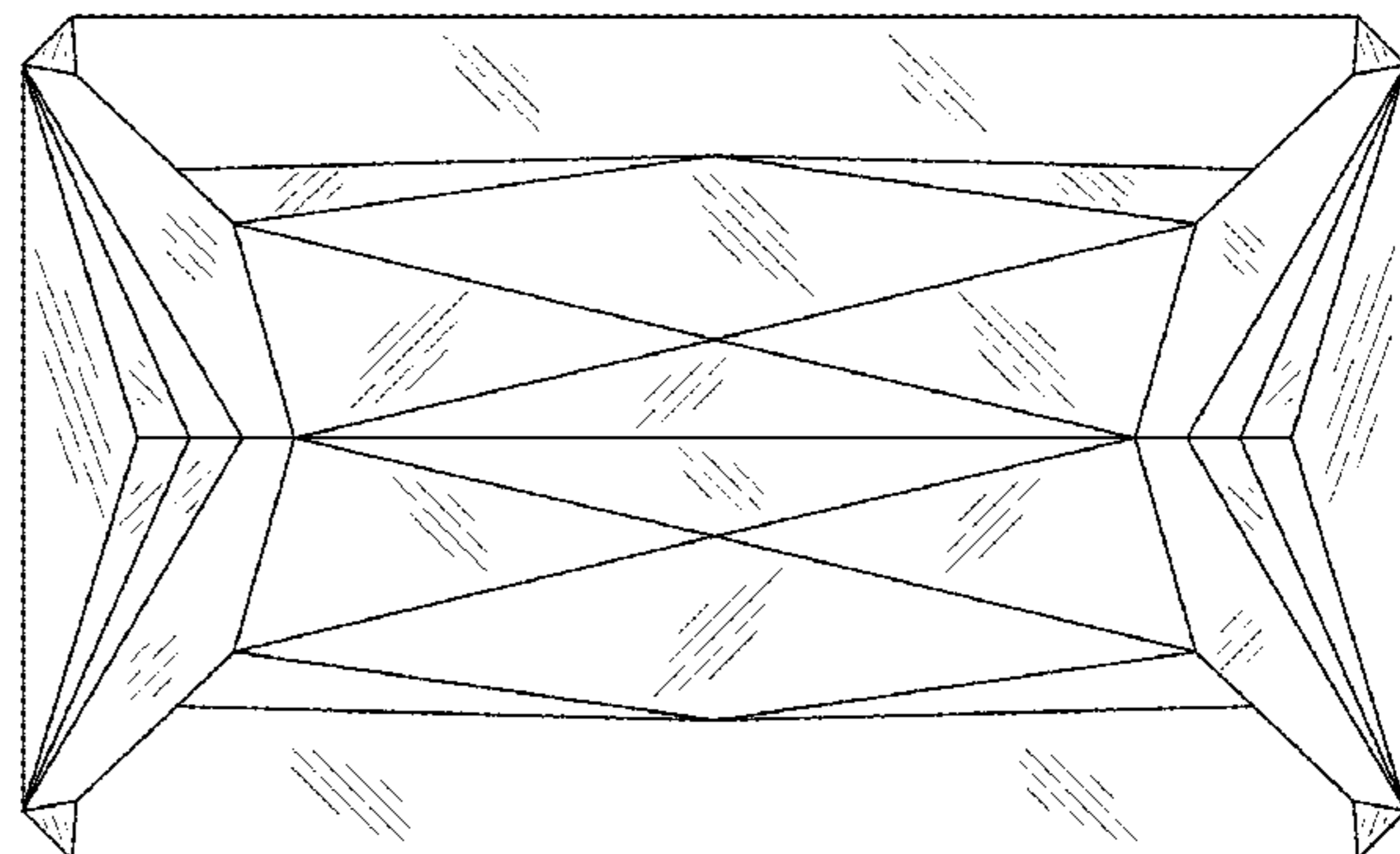
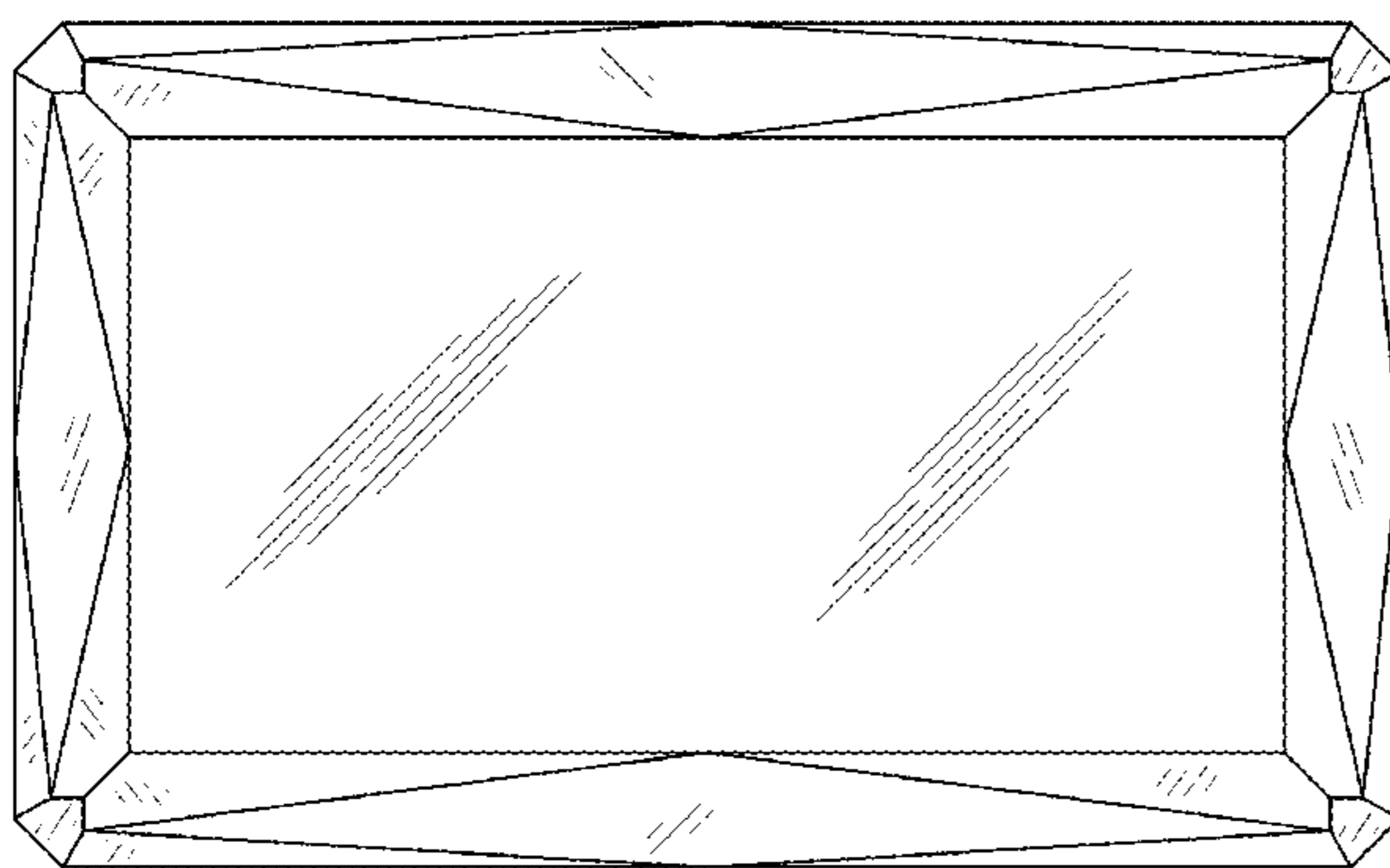
(57) **CLAIM**

The ornamental design for a triple cut gemstone, as shown and described.

DESCRIPTION

FIG. 1 is a perspective view of a triple cut gemstone showing my new design;
FIG. 2 is a first side elevation view thereof;
FIG. 3 is a second side elevation view thereof;
FIG. 4 is a third side elevation view thereof;
FIG. 5 is a fourth side elevation view thereof;
FIG. 6 is a top plan view thereof; and,
FIG. 7 is a bottom plan view thereof.

1 Claim, 4 Drawing Sheets



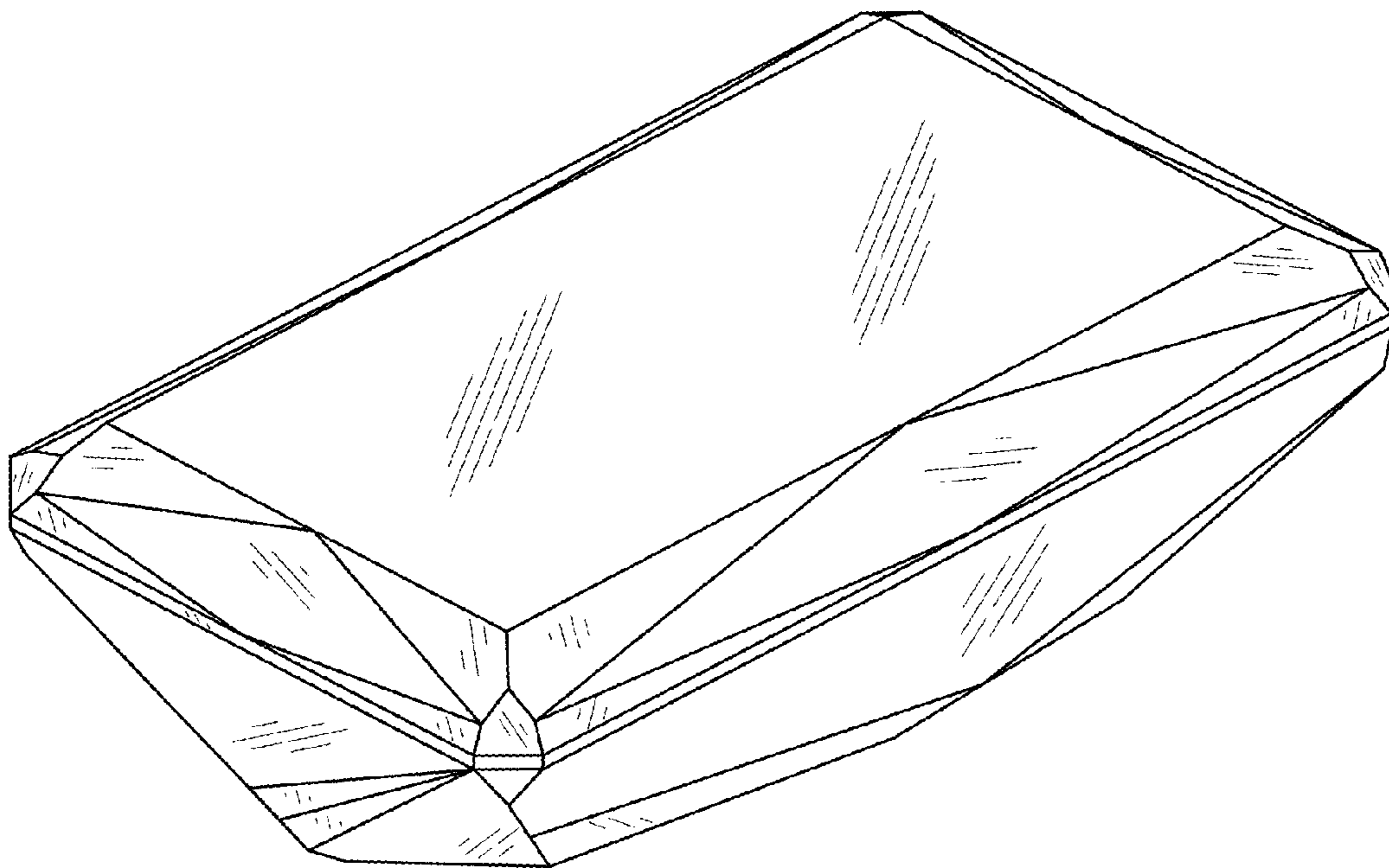


FIG. 1

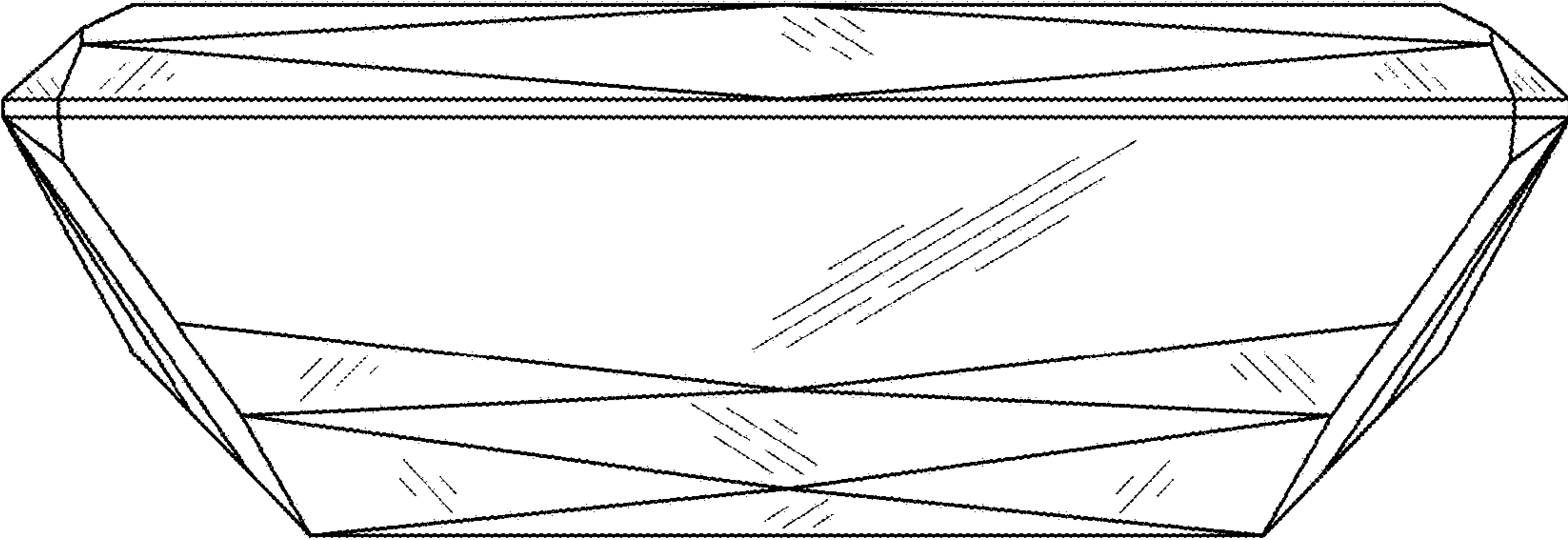


FIG. 2

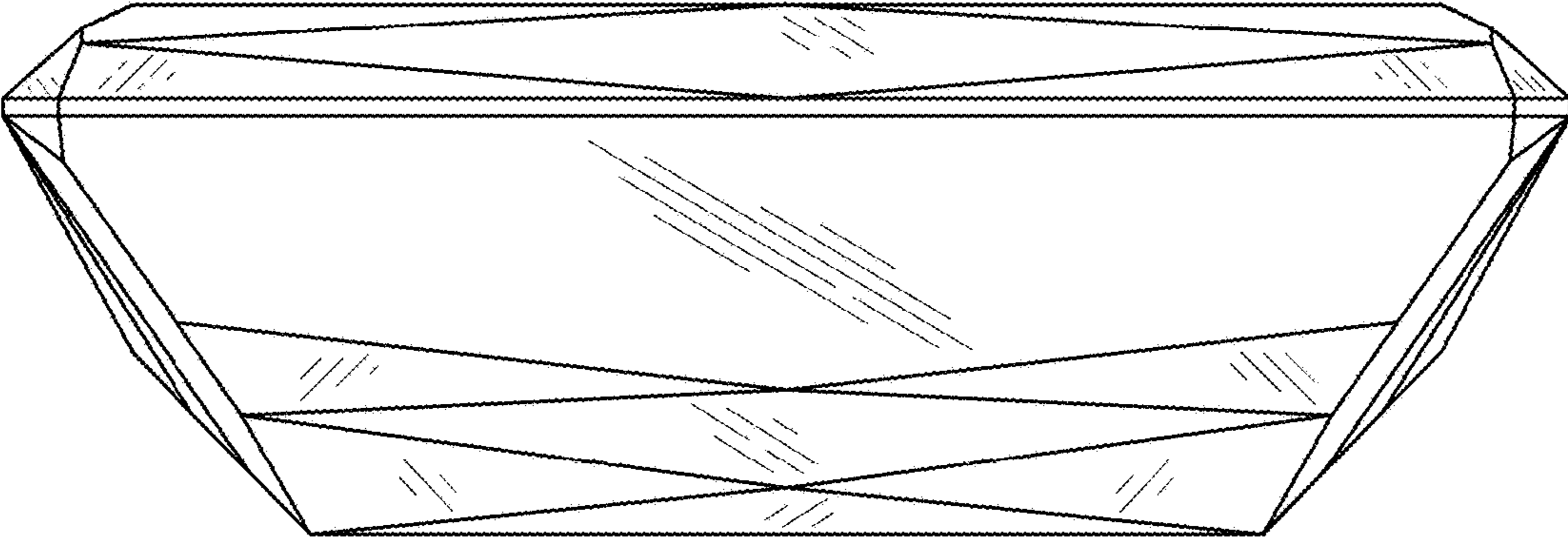


FIG. 3

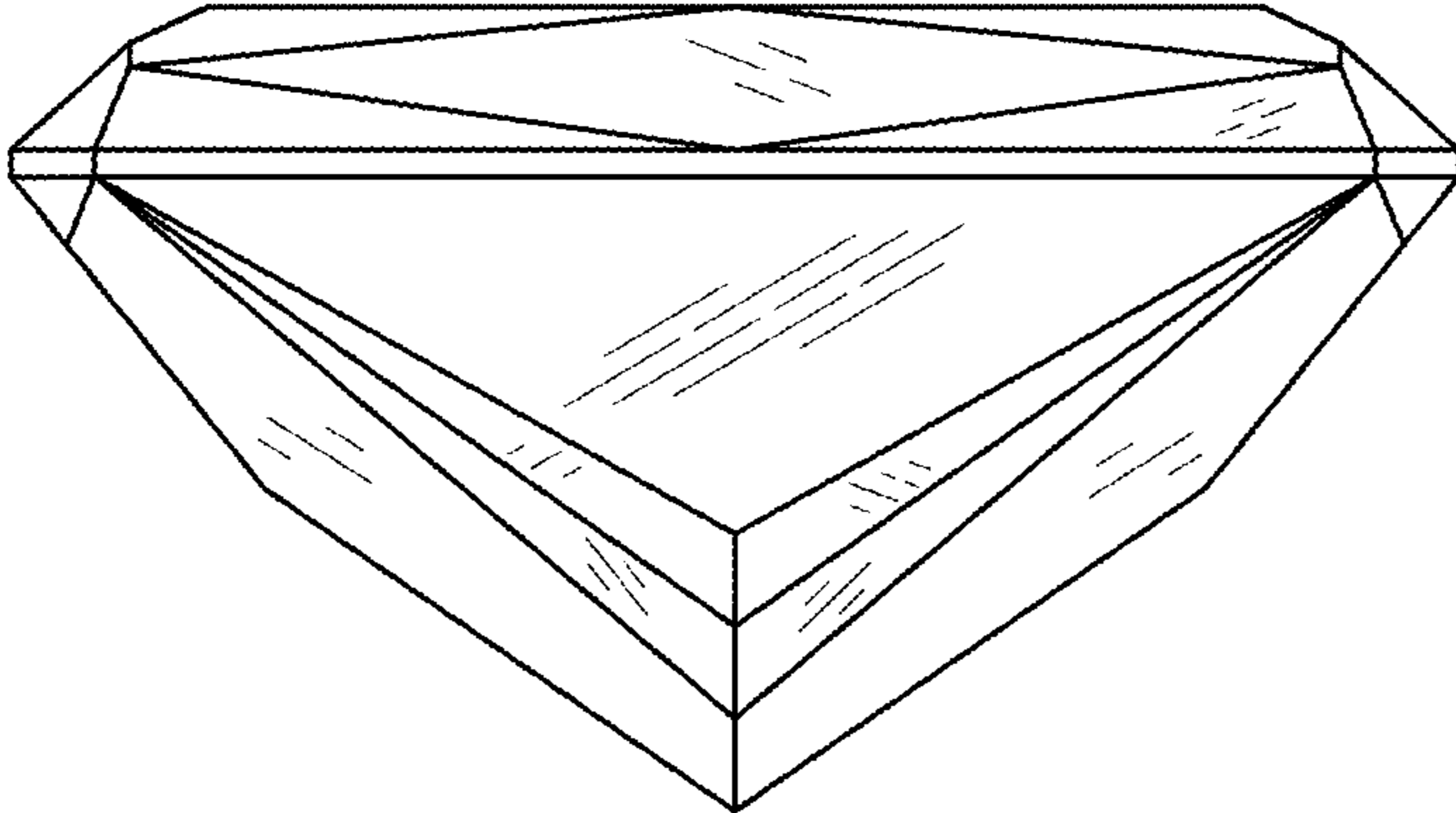


FIG. 4

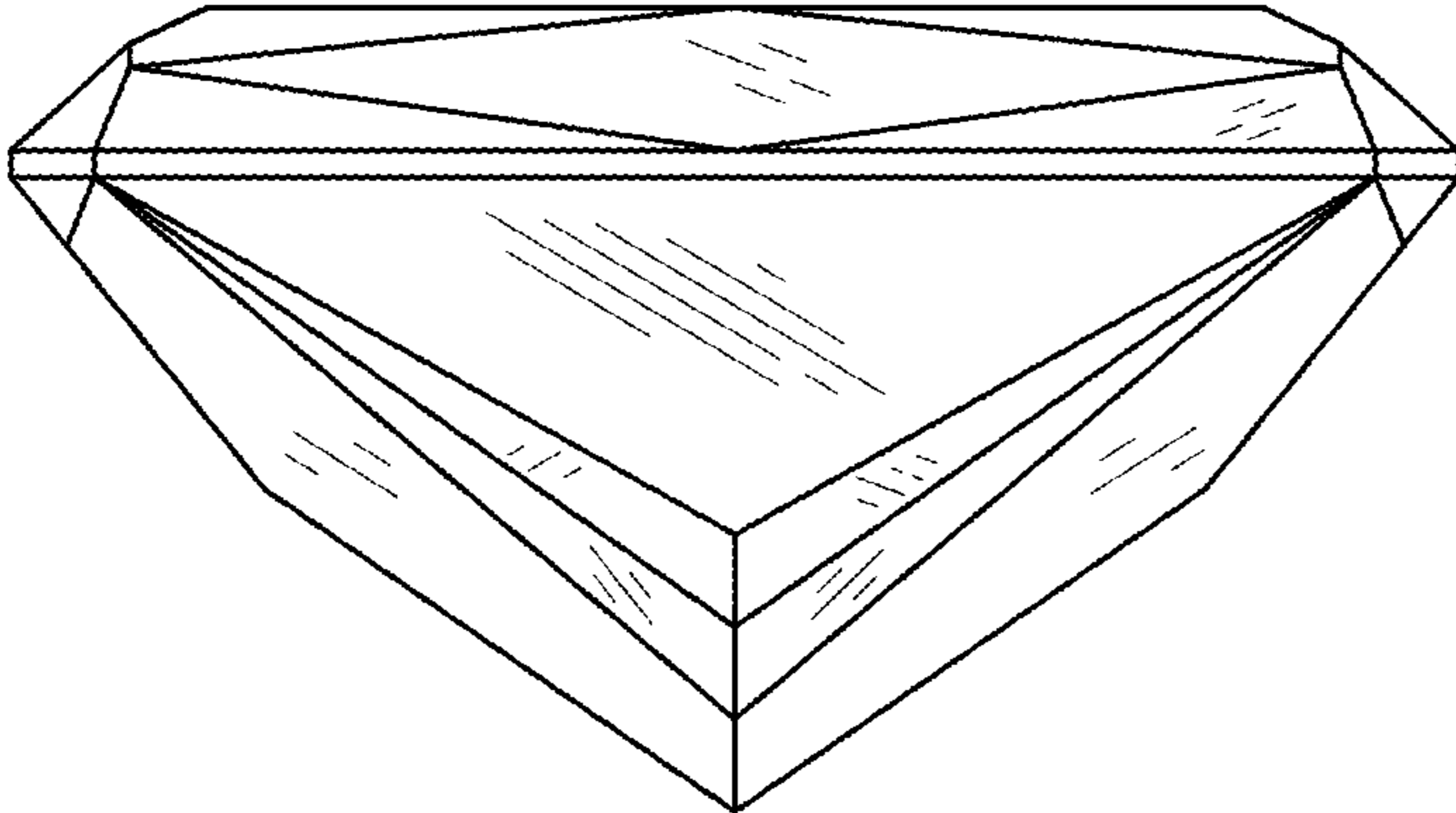


FIG. 5

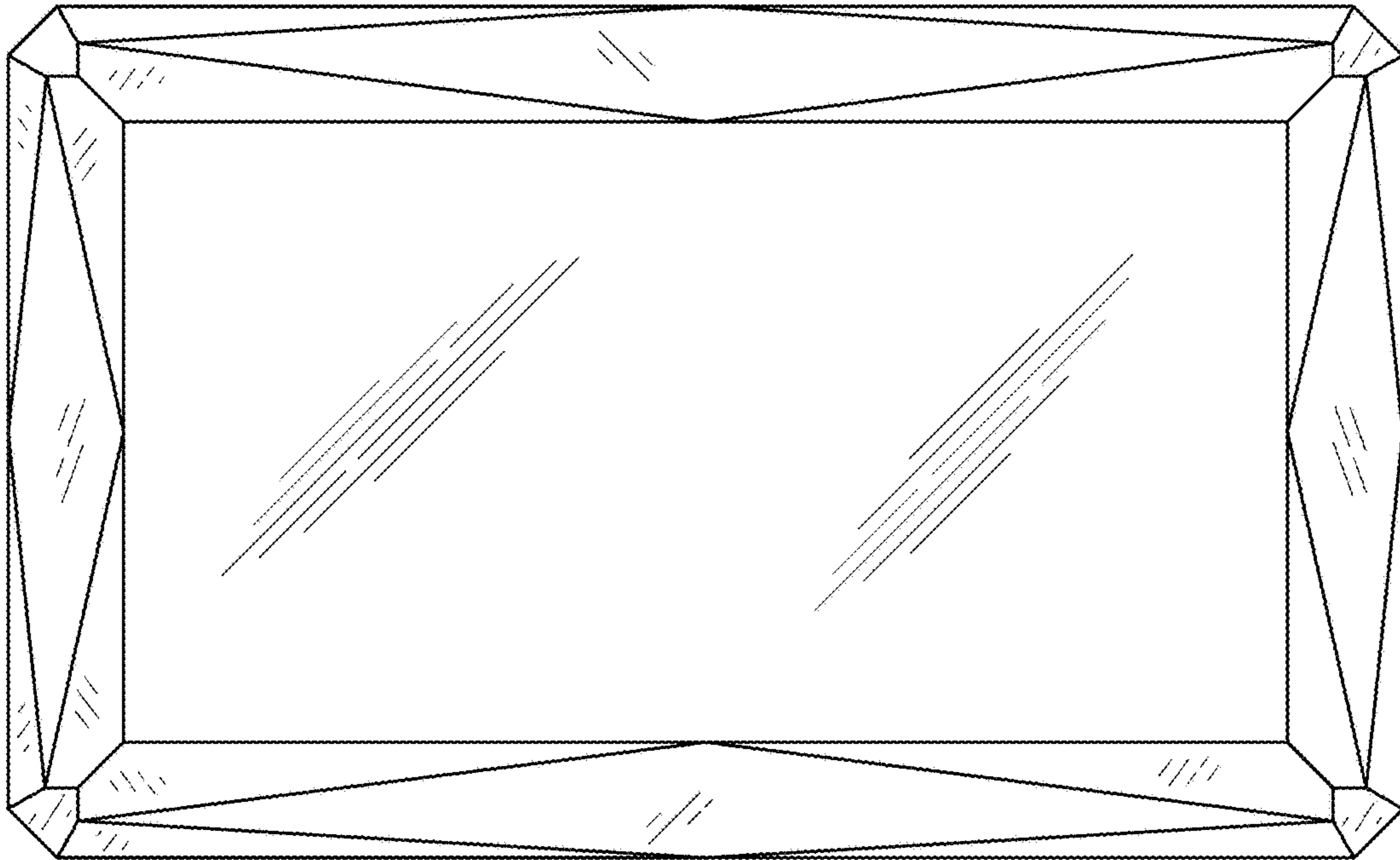


FIG. 6

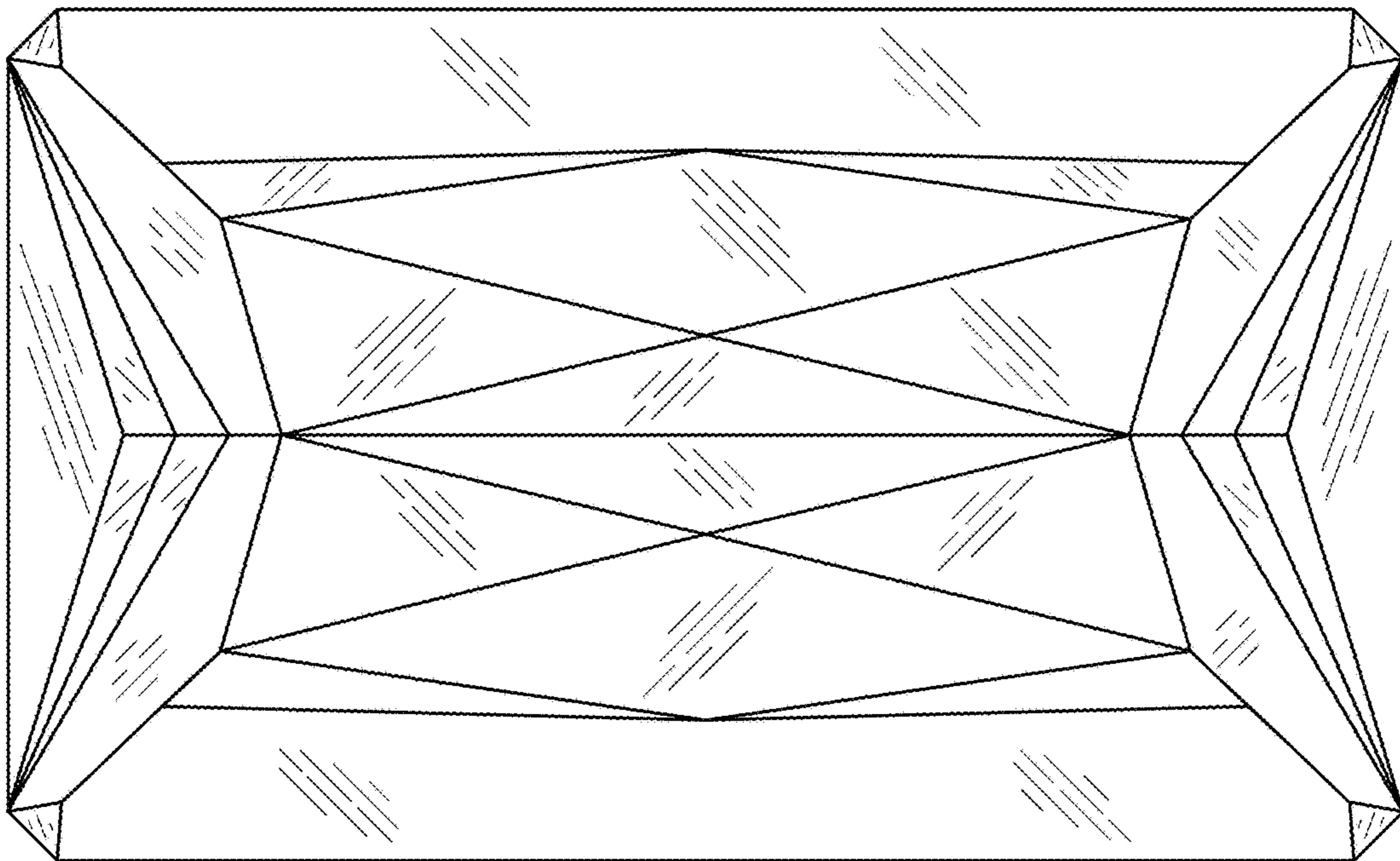


FIG. 7