

US00D796987S

(12) **United States Design Patent** (10) **Patent No.:** **US D796,987 S**  
**Gaiddon** (45) **Date of Patent:** **\*\* Sep. 12, 2017**

(54) **CHARM**

25/00; A44C 25/001; A44C 25/002; A44C  
25/004; A44C 25/005; A44C 17/02; A44C  
17/0208

(71) Applicant: **VAN CLEEF & ARPELS SA,**  
Villars-sur-Glâne (CH)

See application file for complete search history.

(72) Inventor: **Sandra Gaiddon,** Lully (CH)

(56) **References Cited**

(\*\*) Term: **15 Years**

U.S. PATENT DOCUMENTS

(21) Appl. No.: **35/501,043**

D280,189 S *	8/1985	Moses .....	D11/79
D320,767 S *	10/1991	Terada .....	D11/200
D326,248 S *	5/1992	Horita .....	D11/200
D440,520 S *	4/2001	Dunay .....	D11/79
D454,088 S *	3/2002	Basha .....	D11/79
D468,986 S *	1/2003	Kan .....	D11/79
D469,715 S *	2/2003	Wallner .....	D11/79
D517,444 S *	3/2006	Graff .....	D11/79
D583,699 S *	12/2008	Lilienfeld .....	D11/79

(22) Filed: **Dec. 7, 2015**

(80) **Hague Agreement Data**

Int. Filing Date: **Dec. 7, 2015**

Int. Reg. No.: **DM/088585**

Int. Reg. Date: **Dec. 7, 2015**

Int. Reg. Pub. Date: **Jun. 10, 2016**

\* cited by examiner

*Primary Examiner* — Zenia Bennett

(51) **LOC (10) Cl.** ..... **11-01**

(57) **CLAIM**

The ornamental design for a charm, as shown and described.

(52) **U.S. Cl.**

USPC ..... **D11/79**

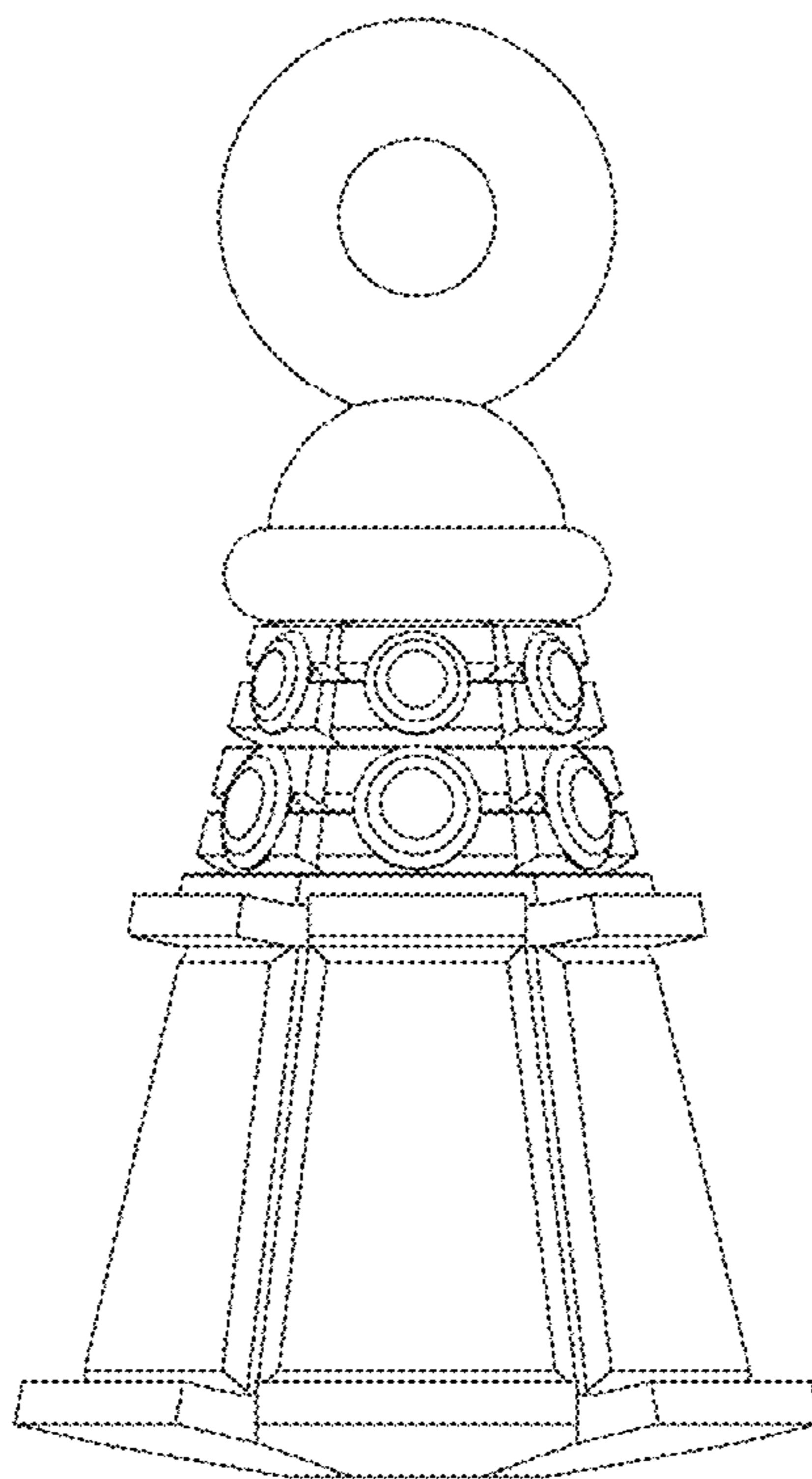
**DESCRIPTION**

(58) **Field of Classification Search**

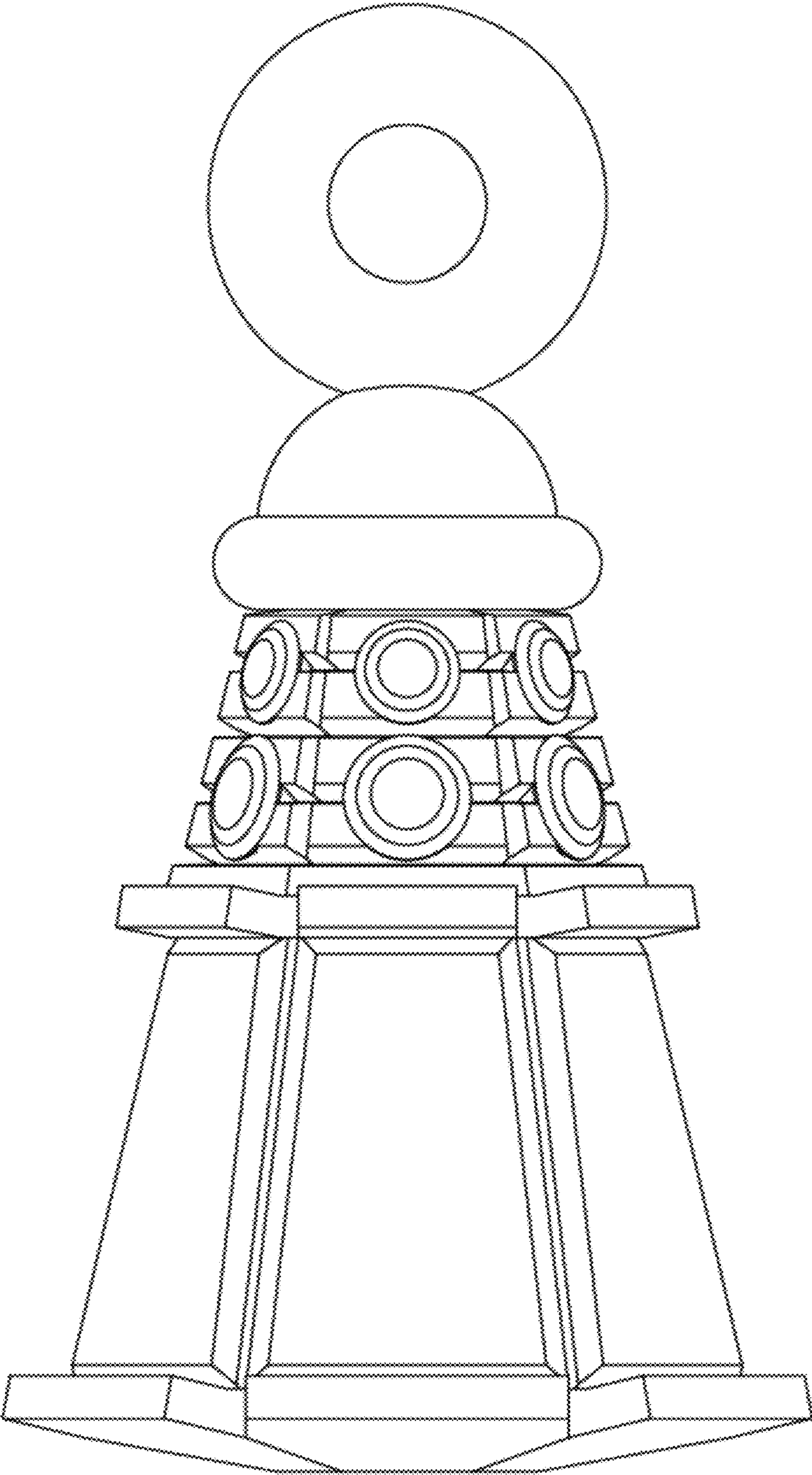
USPC ..... D11/1, 2, 40-44, 47, 48, 79-86, 70, 49,  
D11/50, 53, 57, 66, 67, 75, 76, 77, 95,  
D11/97, 98, 99, 100, 101, 105, 106, 121,  
D11/125, 127, 128, 91, 92, 7, 8  
CPC .. A44C 1/00; A44C 3/00; A44C 3/001; A44C  
3/002; A44C 3/004; A44C 3/005; A44C  
3/007; A44C 3/008; A44C 7/00; A44C  
7/001; A44C 7/002; A44C 7/003; A44C  
7/004; A44C 21/00; A44C 23/00; A44C

- 1. Charm
- 1.1 : Front
- 1.2 : Back
- 1.3 : Left
- 1.4 : Right
- 1.5 : Top
- 1.6 : Bottom
- 1.7 : Perspective
- 1.8 : Perspective

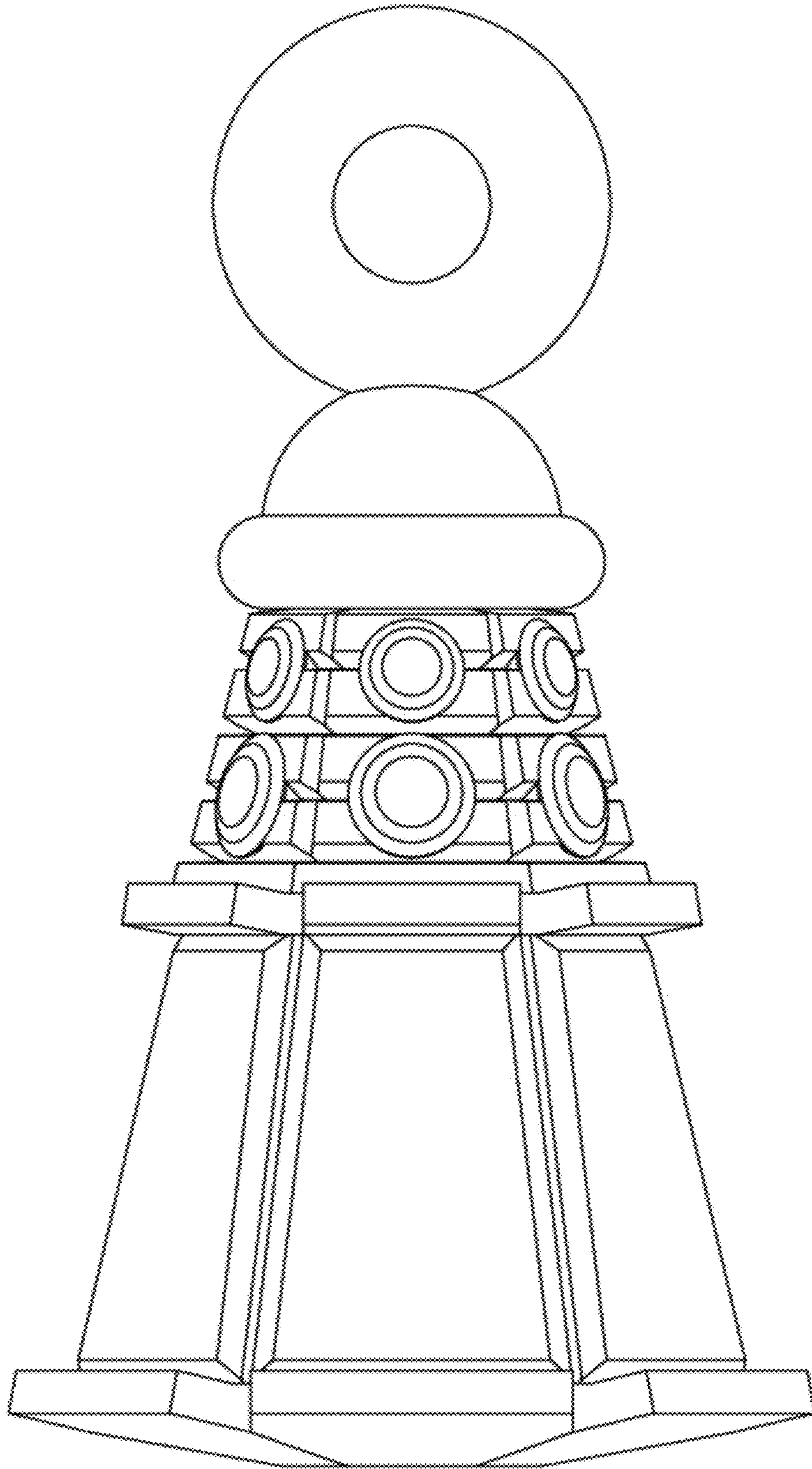
**1 Claim, 8 Drawing Sheets**



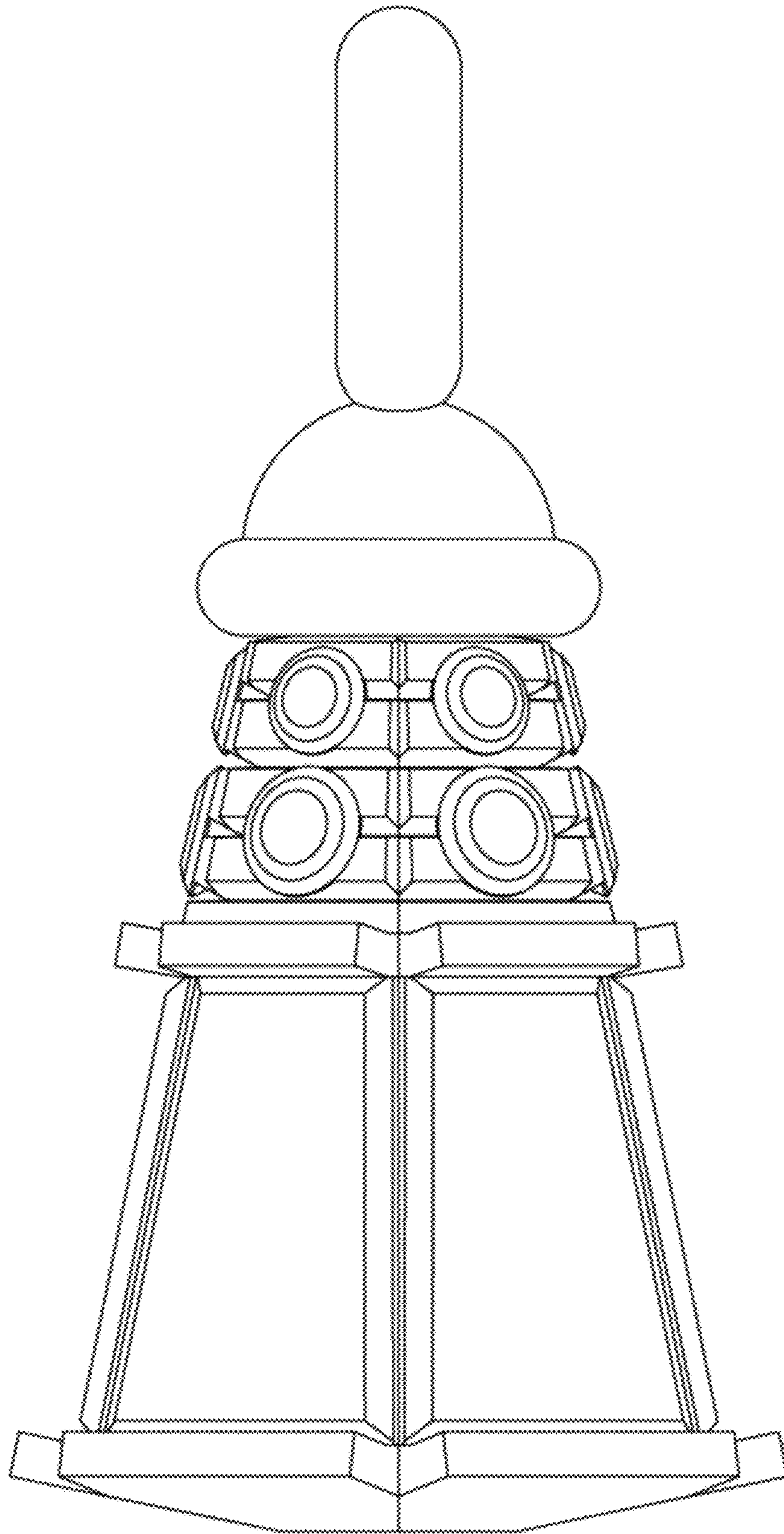
1.1



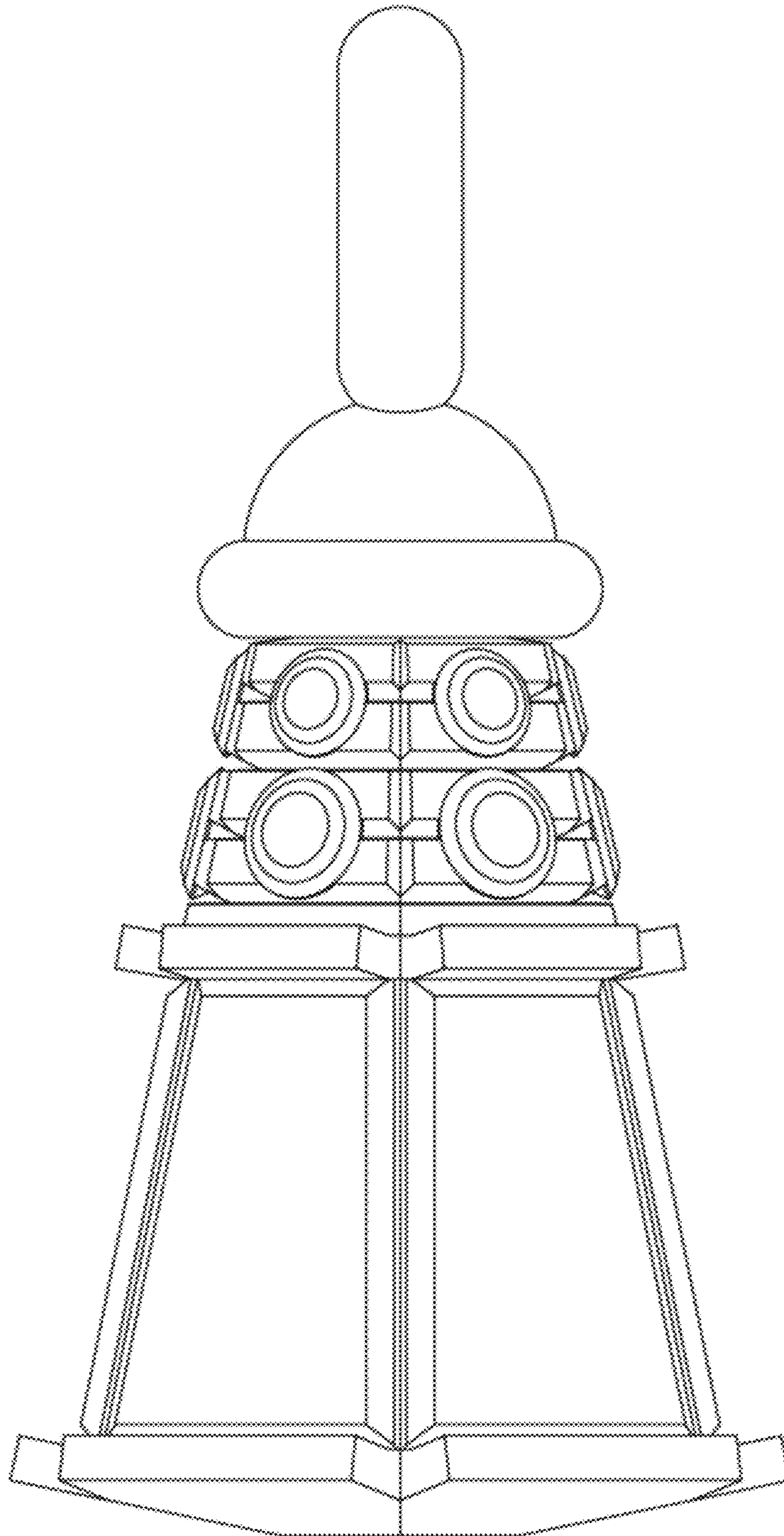
1.2



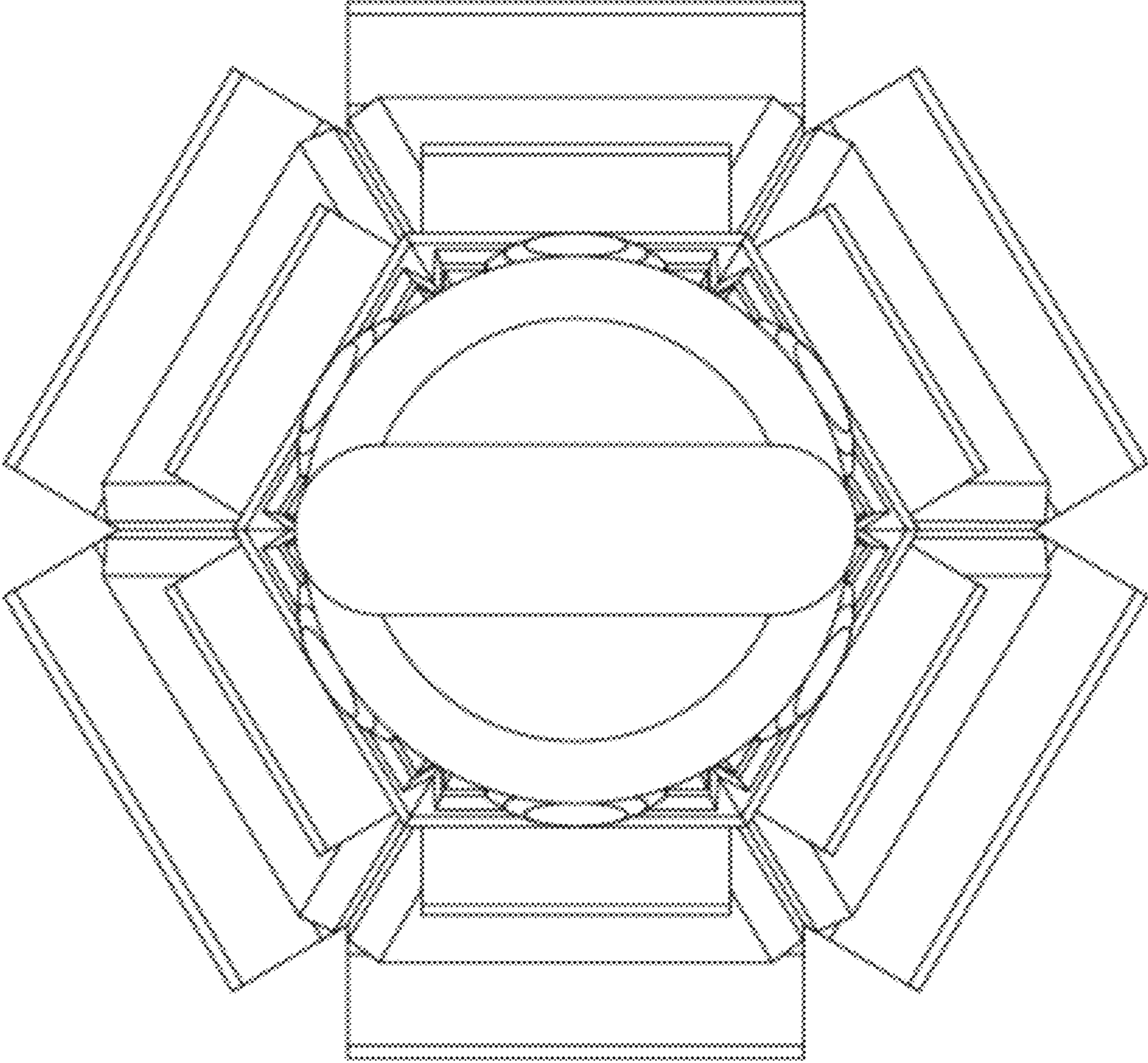
1.3



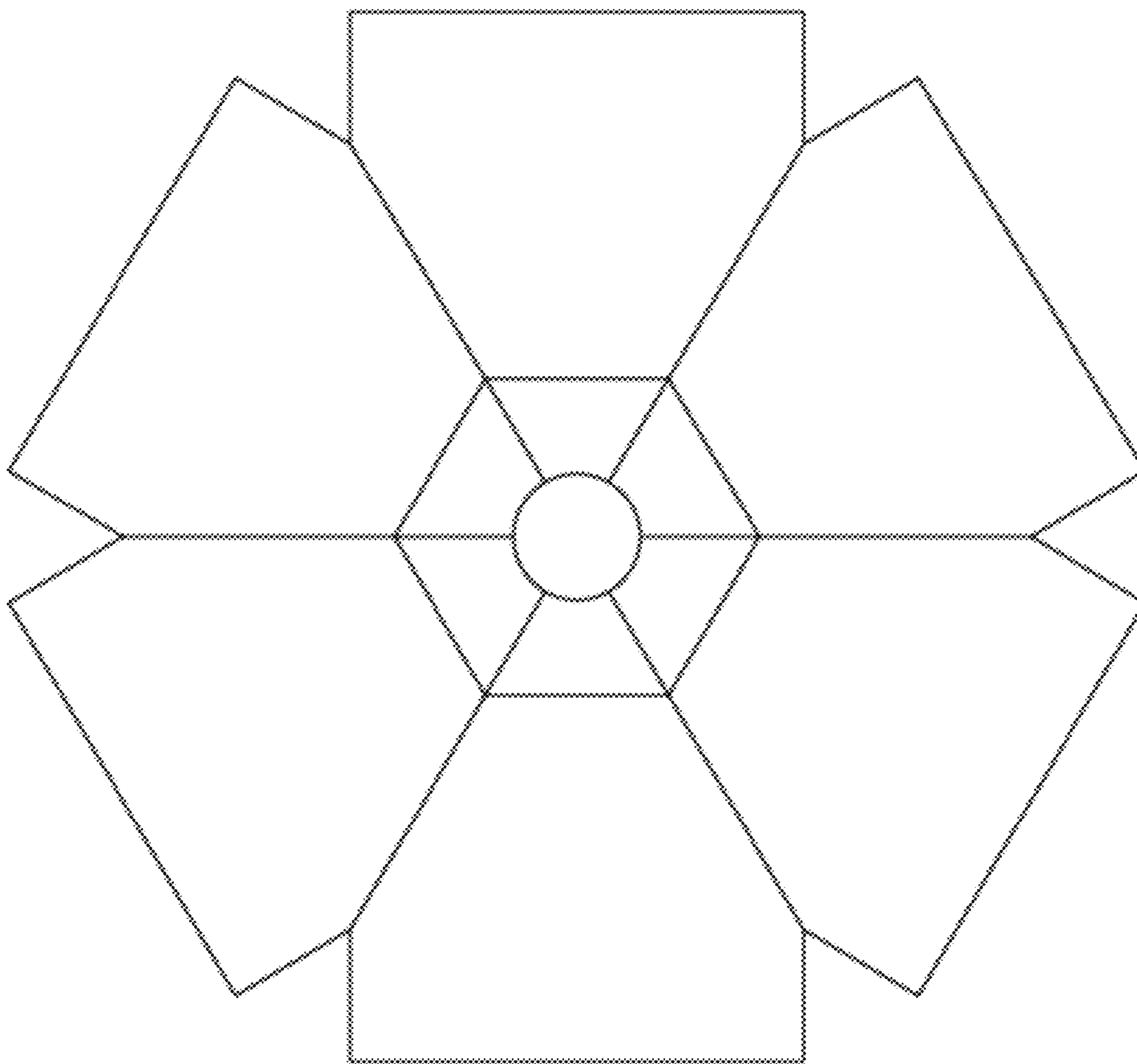
1.4



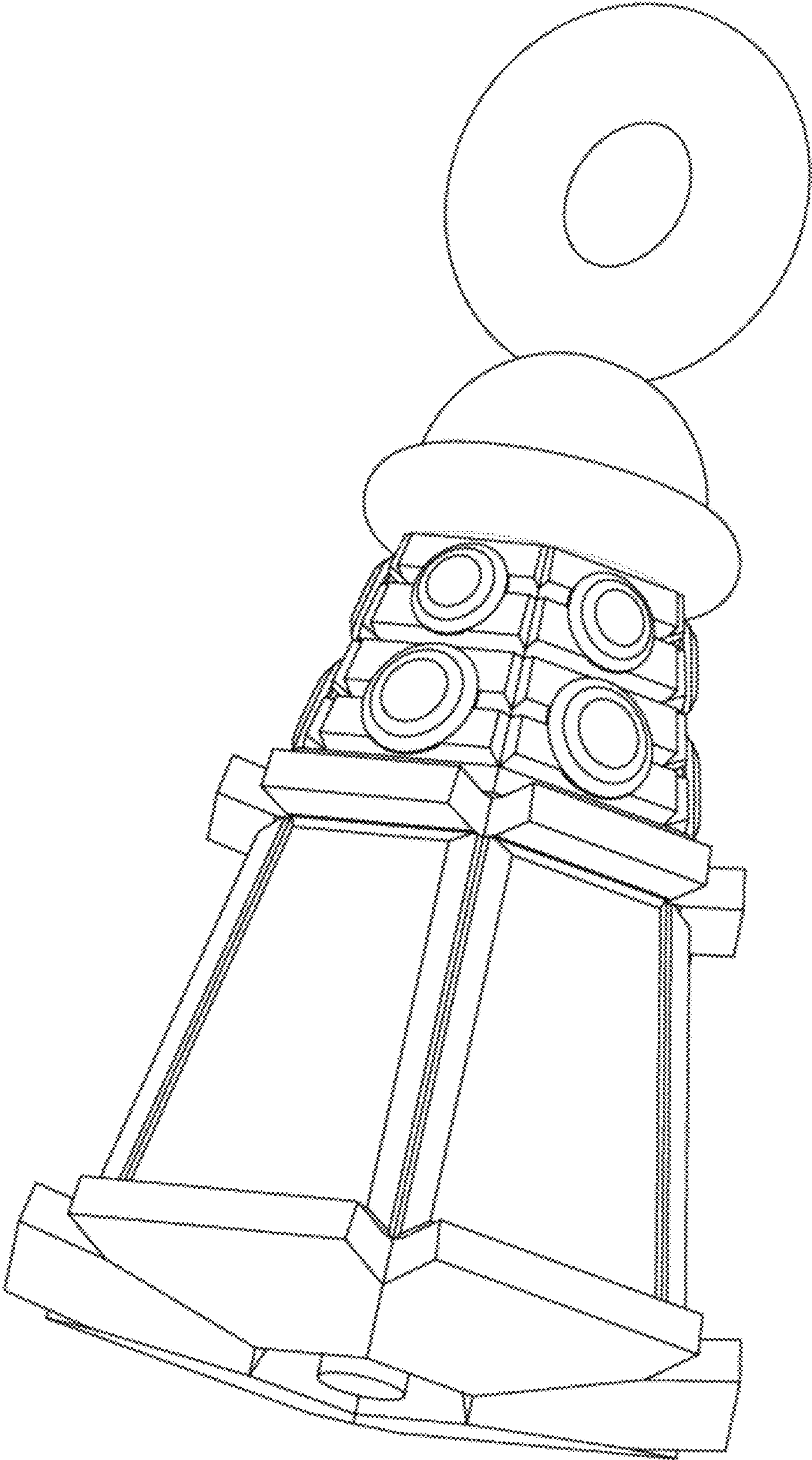
1.5



**1.6**



1.7





1.8

