

US00D796981S

(12) **United States Design Patent**
Buxton

(10) **Patent No.:** **US D796,981 S**

(45) **Date of Patent:** **** Sep. 12, 2017**

(54) **BICYCLE BELL**

2006/0096520 A1* 5/2006 Ichimura G10K 1/072
116/164

(71) Applicant: **Stefan Buxton**, London (GB)

* cited by examiner

(72) Inventor: **Stefan Buxton**, London (GB)

Primary Examiner — George D Kirschbaum

(**) Term: **15 Years**

(74) *Attorney, Agent, or Firm* — Mitchell Law PLLC;
Matthew W. Mitchell

(21) Appl. No.: **29/590,336**

(57) **CLAIM**

(22) Filed: **Jan. 9, 2017**

The ornamental design for a bicycle bell, as shown.

(51) **LOC (10) Cl.** **10-05**

DESCRIPTION

(52) **U.S. Cl.**

USPC **D10/118**

(58) **Field of Classification Search**

USPC D10/118, 116.1; D12/114

CPC G10K 1/072

See application file for complete search history.

FIG. 1 is a front isometric view of the bicycle bell of the present invention;

FIG. 2 is a front view of the bicycle bell of FIG. 1;

FIG. 3 is a back view of the bicycle bell of FIG. 1;

FIG. 4 is a side view of the bicycle bell of FIG. 1, as seen from the left side of FIG. 2;

FIG. 5 is a side view of the bicycle bell of FIG. 1, as seen from the right side of FIG. 2;

FIG. 6 is a top view of the bicycle bell of FIG. 1; and,

FIG. 5 is a bottom view of the bicycle bell of FIG. 1.

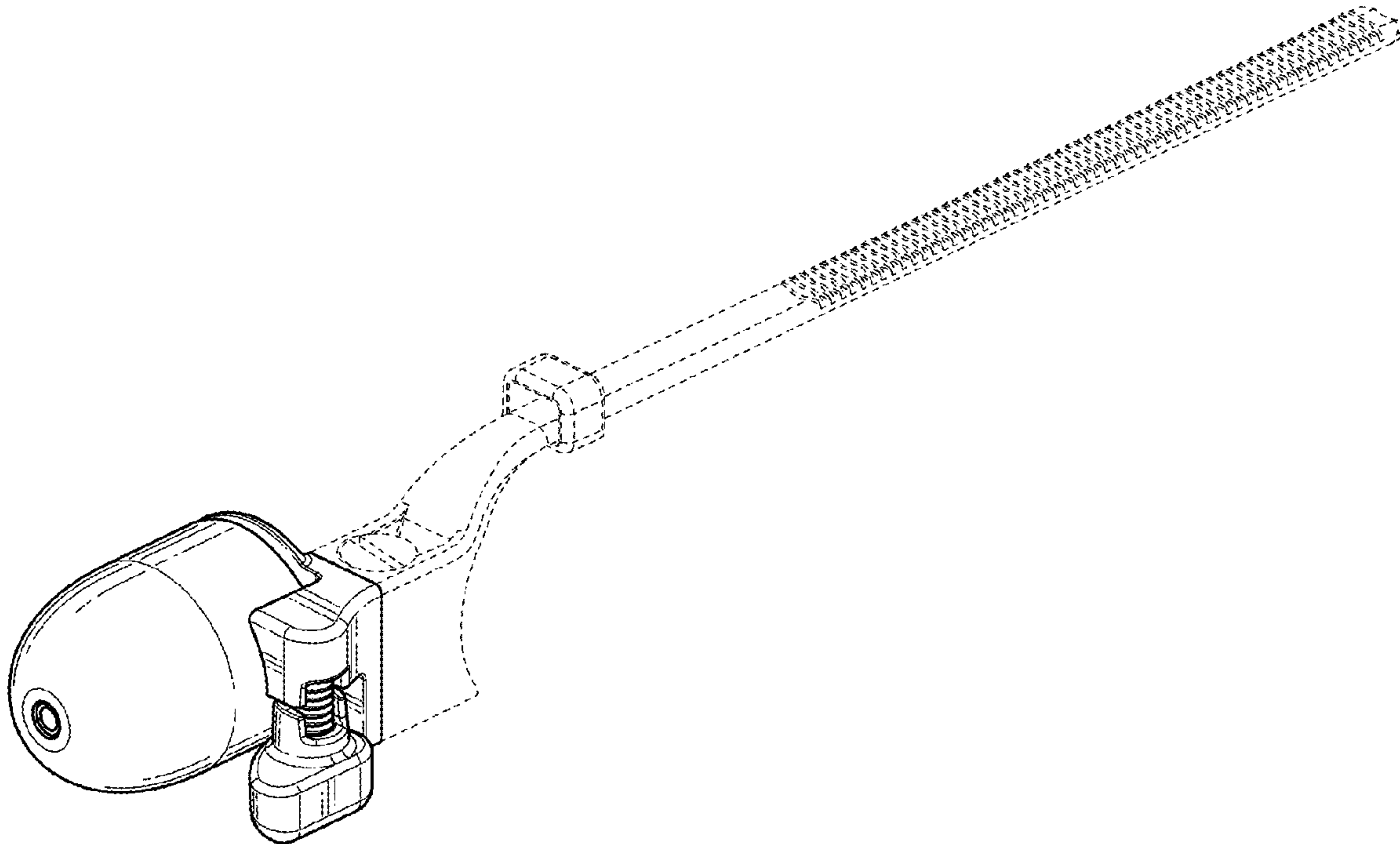
The broken lines show a strap and mechanical connectors that form no part of the claimed design.

(56) **References Cited**

U.S. PATENT DOCUMENTS

D316,055 S	4/1991	Rixen	
D567,129 S *	4/2008	Lin	D10/118
D567,693 S *	4/2008	Ichimura	D10/116.1
D765,549 S *	9/2016	Khodapanah	D12/114
9,454,950 B2 *	9/2016	Pan	G10K 1/072

1 Claim, 6 Drawing Sheets



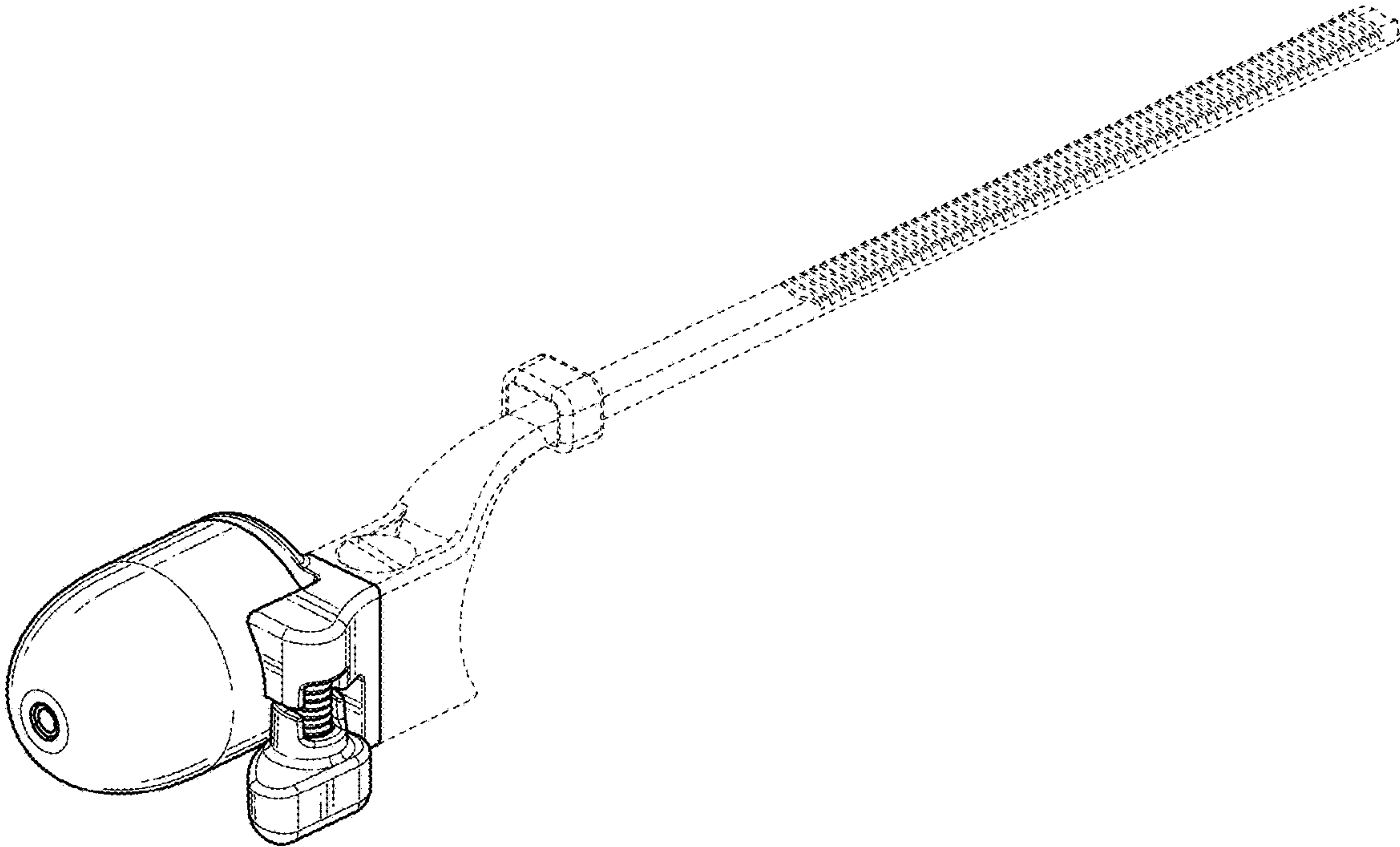


FIG. 1

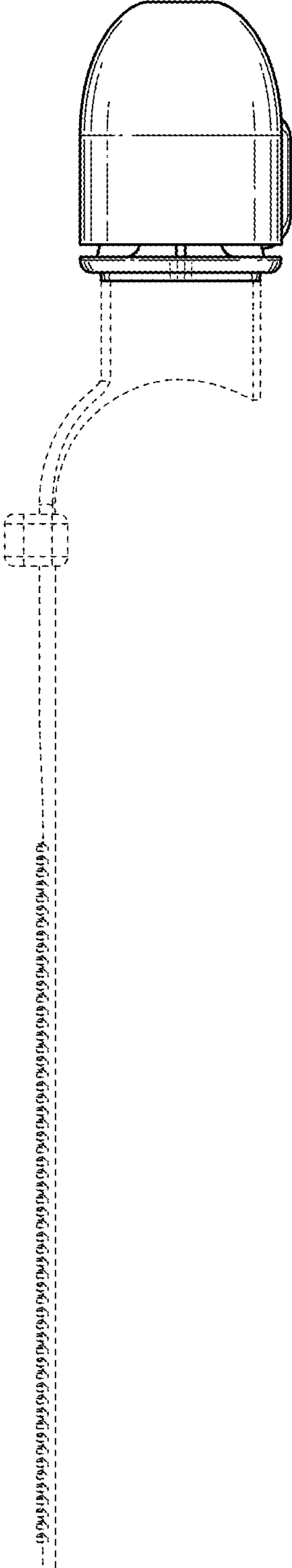


FIG. 2

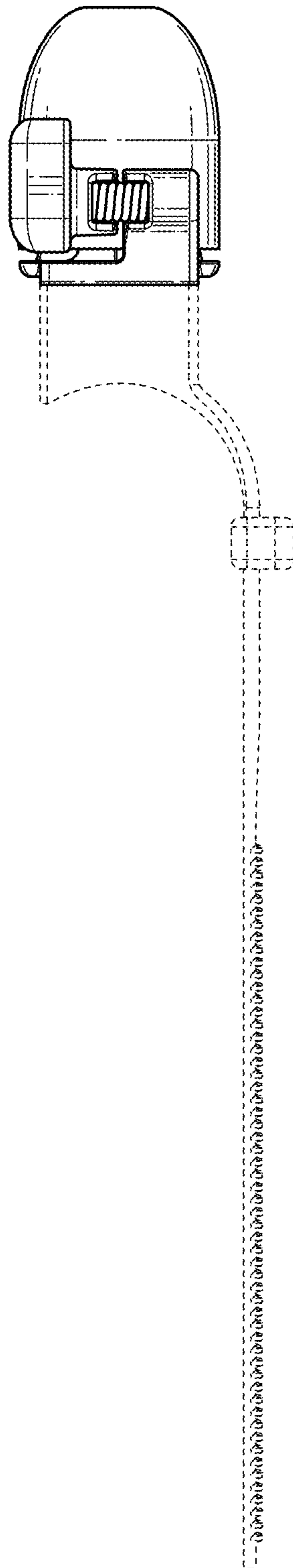


FIG. 3

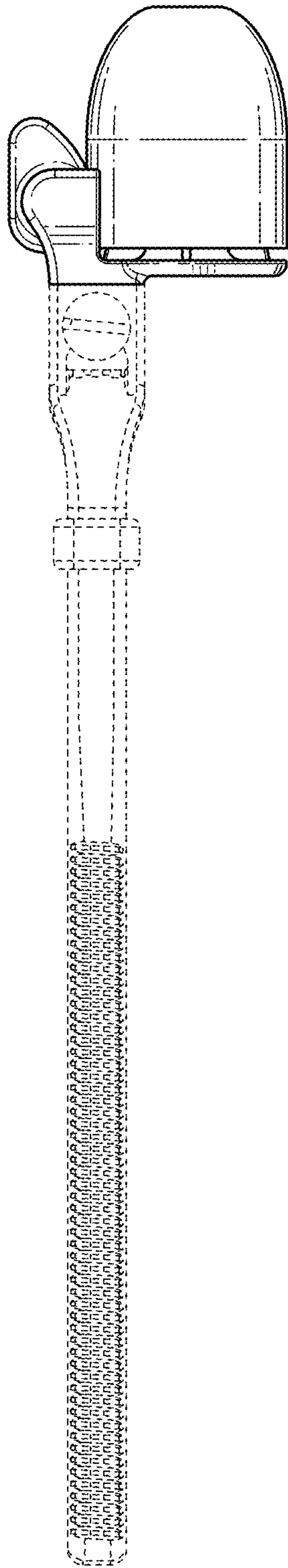


FIG. 4

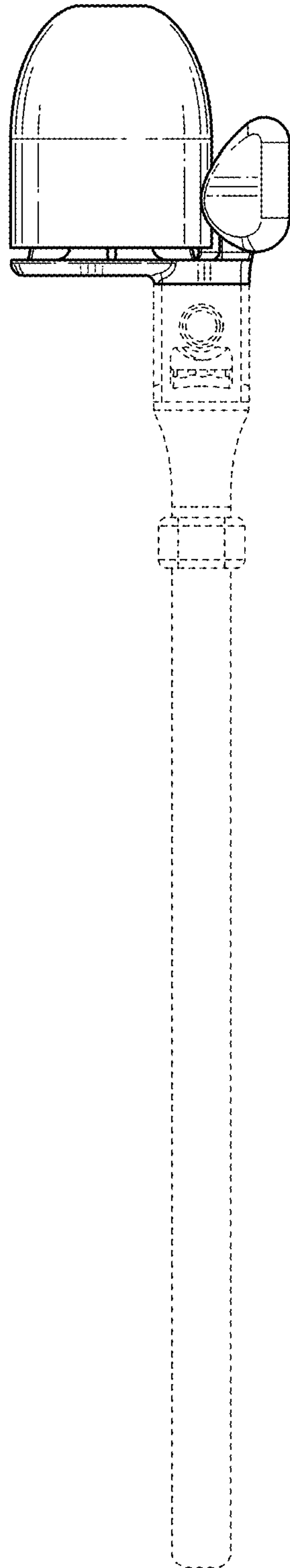


FIG. 5

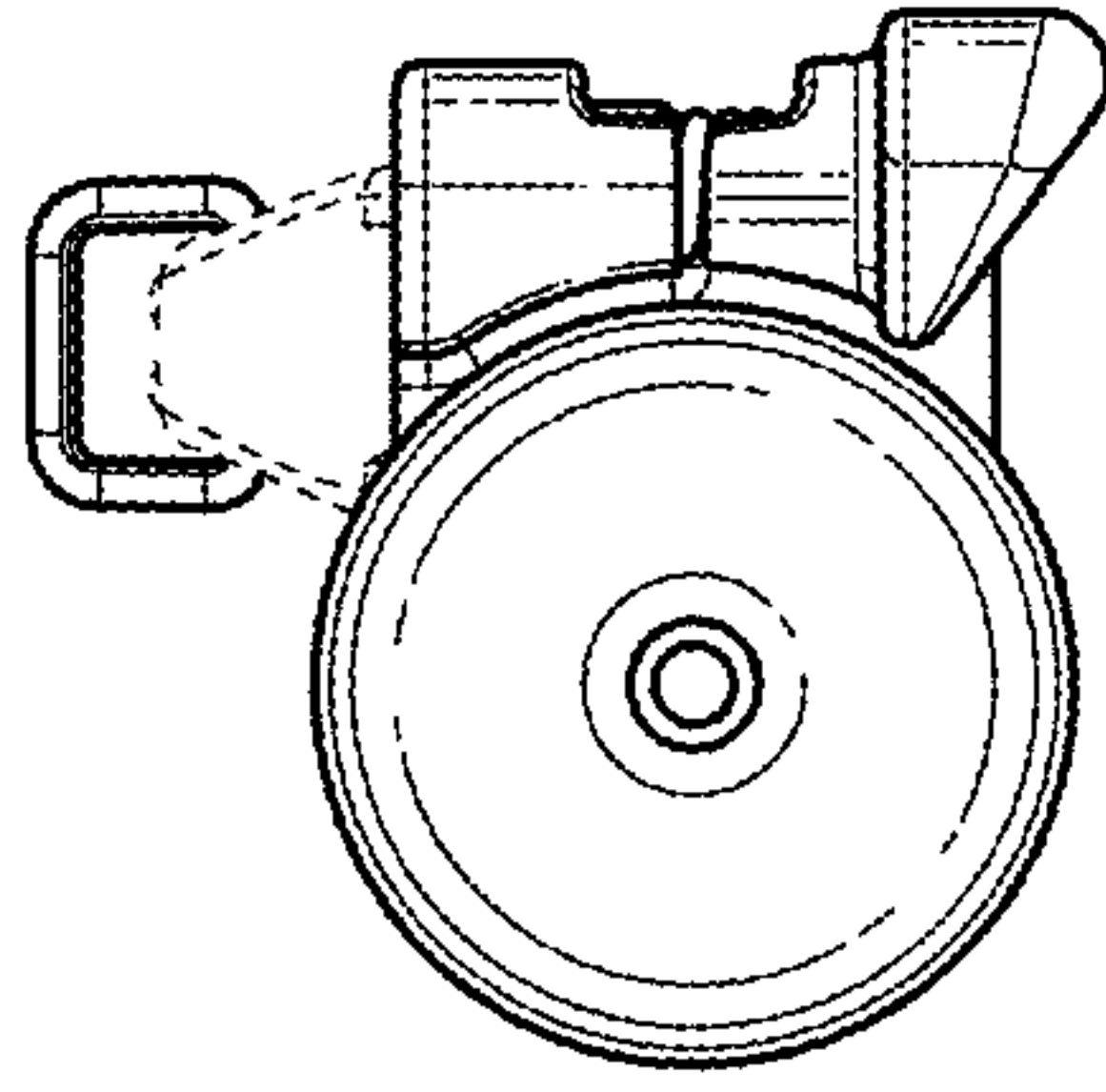


FIG. 6

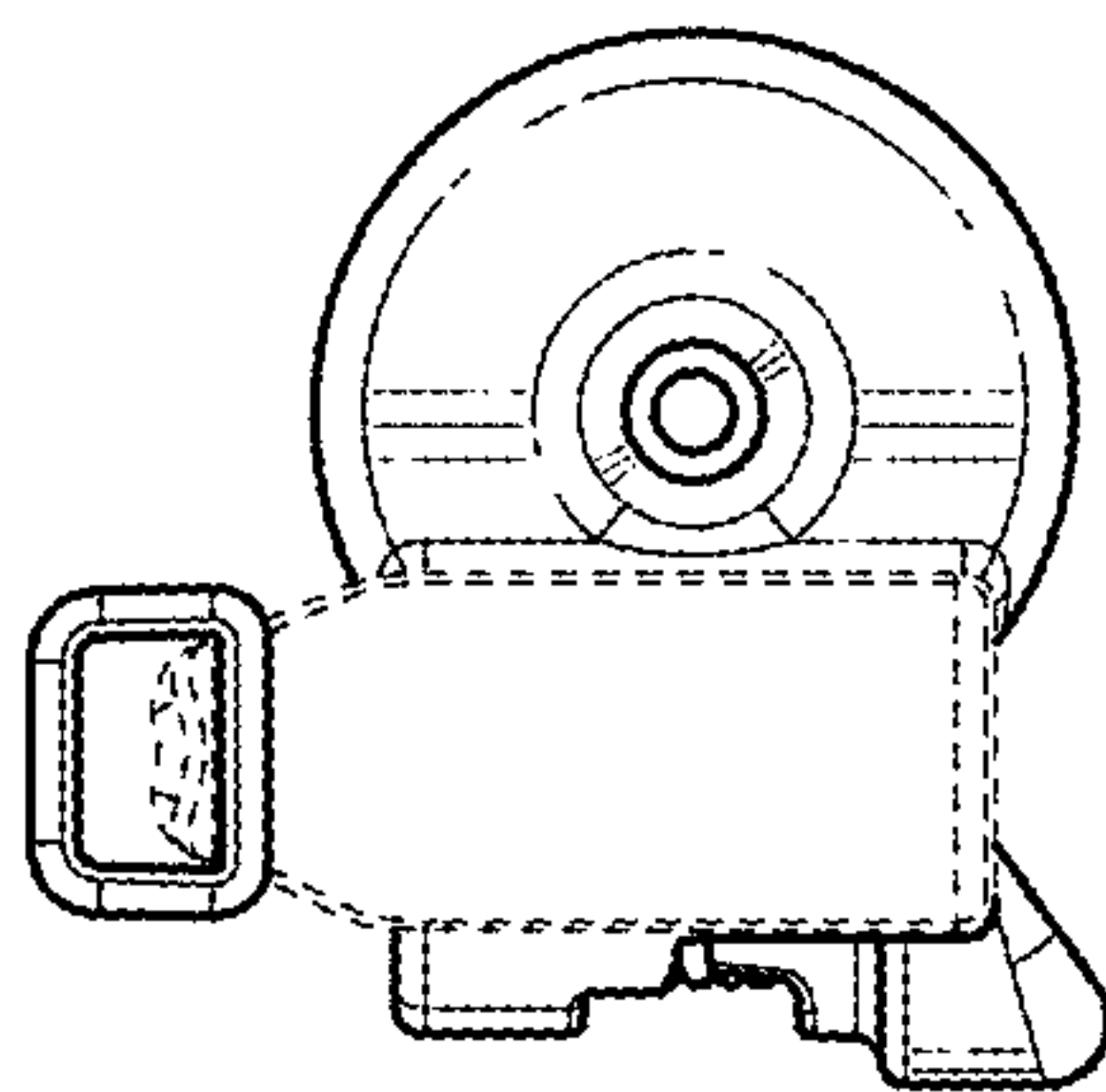


FIG. 7