

US00D796979S

(12) **United States Design Patent**
Delavy et al.

(10) **Patent No.:** **US D796,979 S**
(45) **Date of Patent:** **** Sep. 12, 2017**

(54) **SPECTROPHOTOMETER**

(71) Applicant: **Mettler-Toledo GmbH**, Greifensee (CH)

(72) Inventors: **Marcel Delavy**, Zurich (CH); **Reto Berger**, Winterthur (CH)

(73) Assignee: **METTLER-TOLEDO GMBH**, Greifensee (CH)

(**) Term: **15 Years**

(21) Appl. No.: **29/556,480**

(22) Filed: **Mar. 1, 2016**

(30) **Foreign Application Priority Data**

Sep. 2, 2015 (EM) 002764324

(51) **LOC (10) Cl.** **10-04**

(52) **U.S. Cl.**
USPC **D10/81; D24/216**

(58) **Field of Classification Search**
USPC D10/81; D24/216
CPC G01J 3/00; G01J 3/0202; G01J 3/0205;
G01J 3/0208; G01J 3/021; G01J 3/0213;
G01J 3/0216; G01J 3/0218; G01J 3/0221;
G01J 3/0224; G01J 3/0227; G01J 3/0229;
G01J 3/0232; G01J 3/0235; G01J 3/0237;
G01J 3/024; G01J 3/0243

See application file for complete search history.

(56) **References Cited**

U.S. PATENT DOCUMENTS

6,583,879 B1 * 6/2003 Berg G01J 3/02
250/226

2001/0046047 A1 * 11/2001 Ryer G01J 3/02
356/328

2010/0067009 A1 * 3/2010 Peterson G01J 3/02
356/402
2010/0315634 A1 * 12/2010 Shibayama G01J 3/02
356/326
2012/0092665 A1 * 4/2012 Vahey G01J 3/0289
356/326
2016/0245694 A1 * 8/2016 White G01J 3/0202

* cited by examiner

Primary Examiner — Antoine D Davis

(74) *Attorney, Agent, or Firm* — Buchanan Ingersoll & Rooney PC

(57) **CLAIM**

The ornamental design for a spectrophotometer, as shown and described.

DESCRIPTION

FIG. 1 is a front, right perspective view of a spectrophotometer showing our new design.

FIG. 2 is a top plan view thereof.

FIG. 3 is a front elevational view thereof.

FIG. 4 is a left side elevational view thereof.

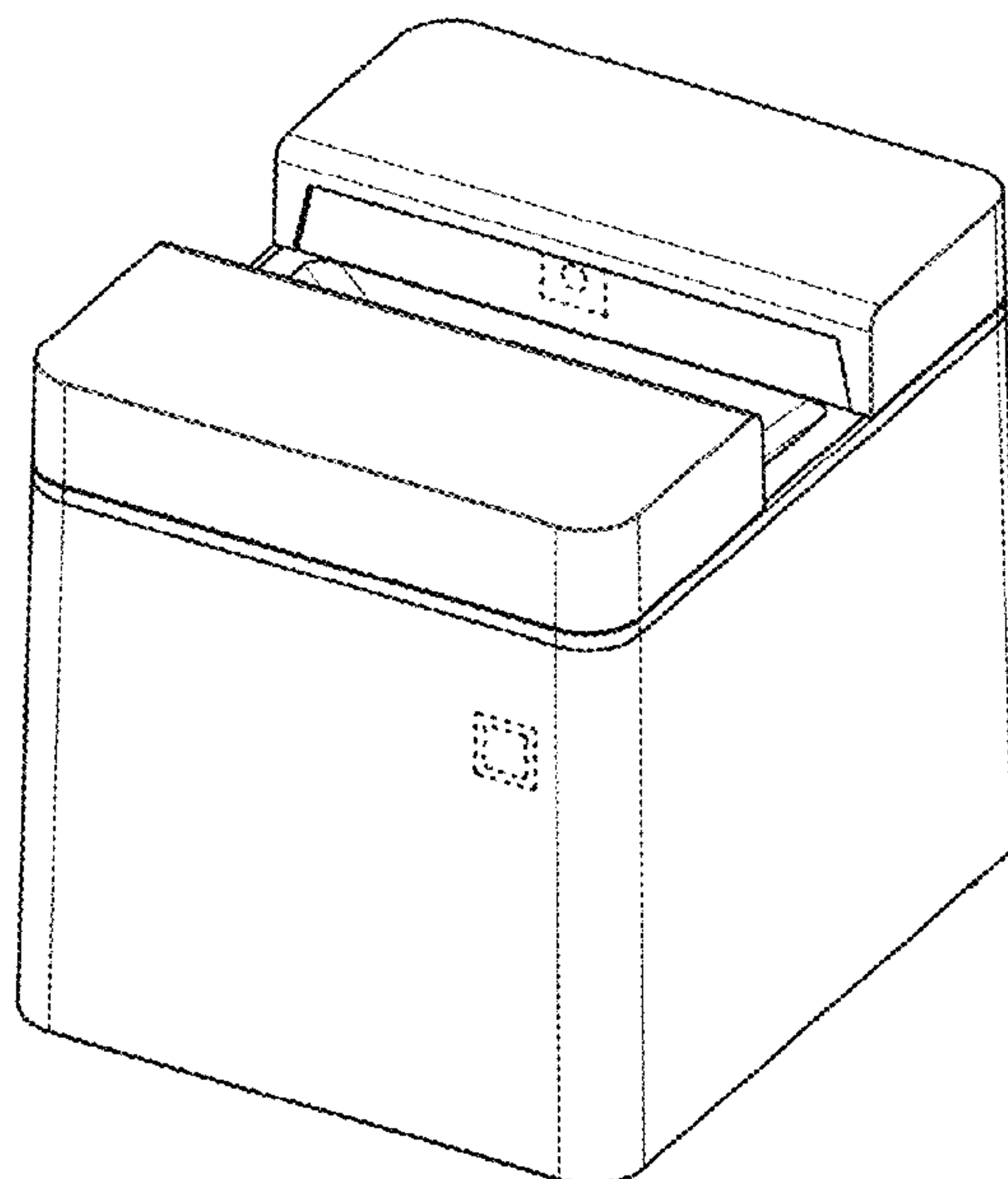
FIG. 5 is a rear elevational view thereof.

FIG. 6 is a right side elevational view thereof; and,

FIG. 7 is a bottom plan view thereof.

The broken line showing of portions of the spectrophotometer illustrates environmental structure and forms no part of the claimed design.

1 Claim, 7 Drawing Sheets



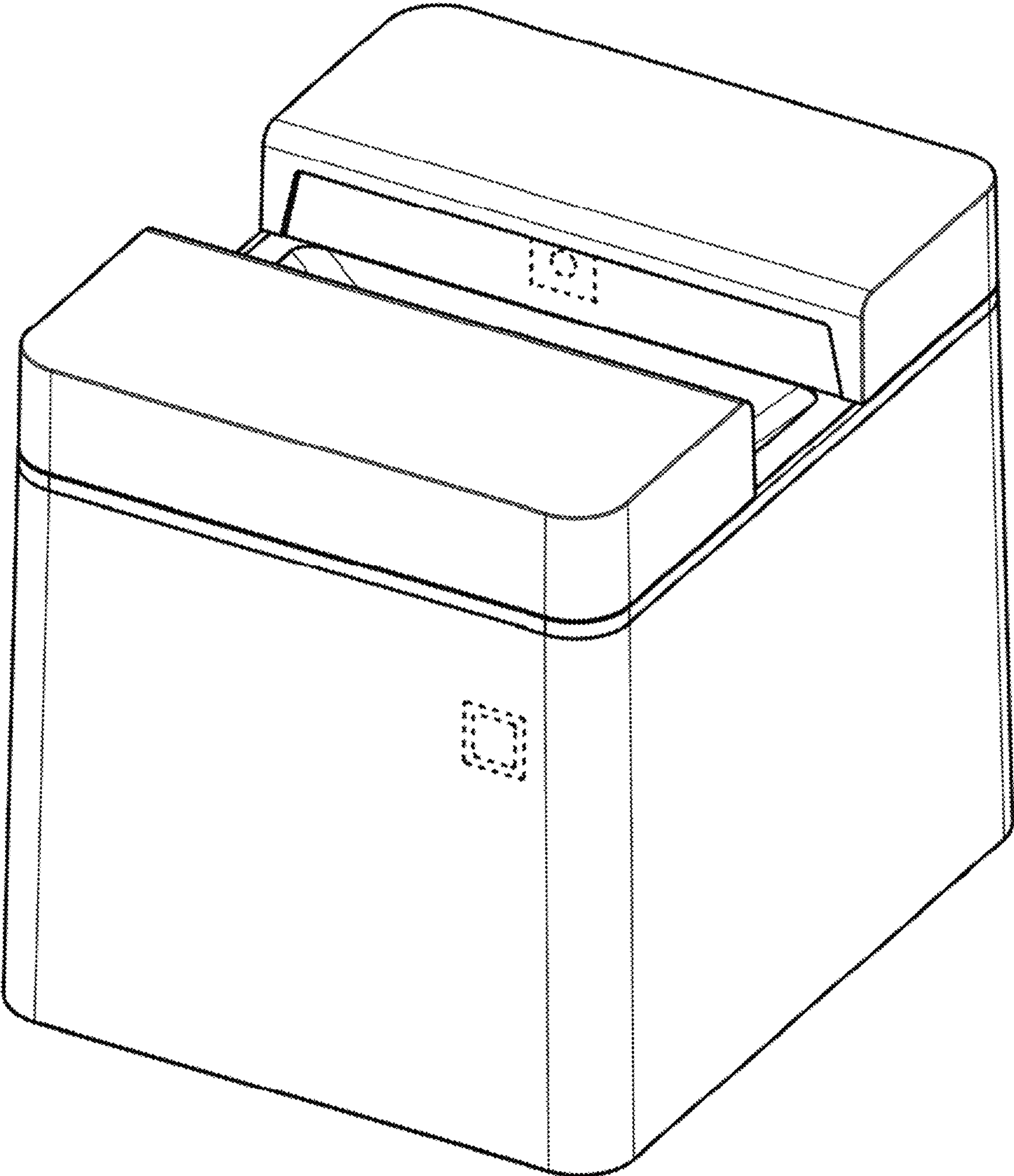


Fig. 1

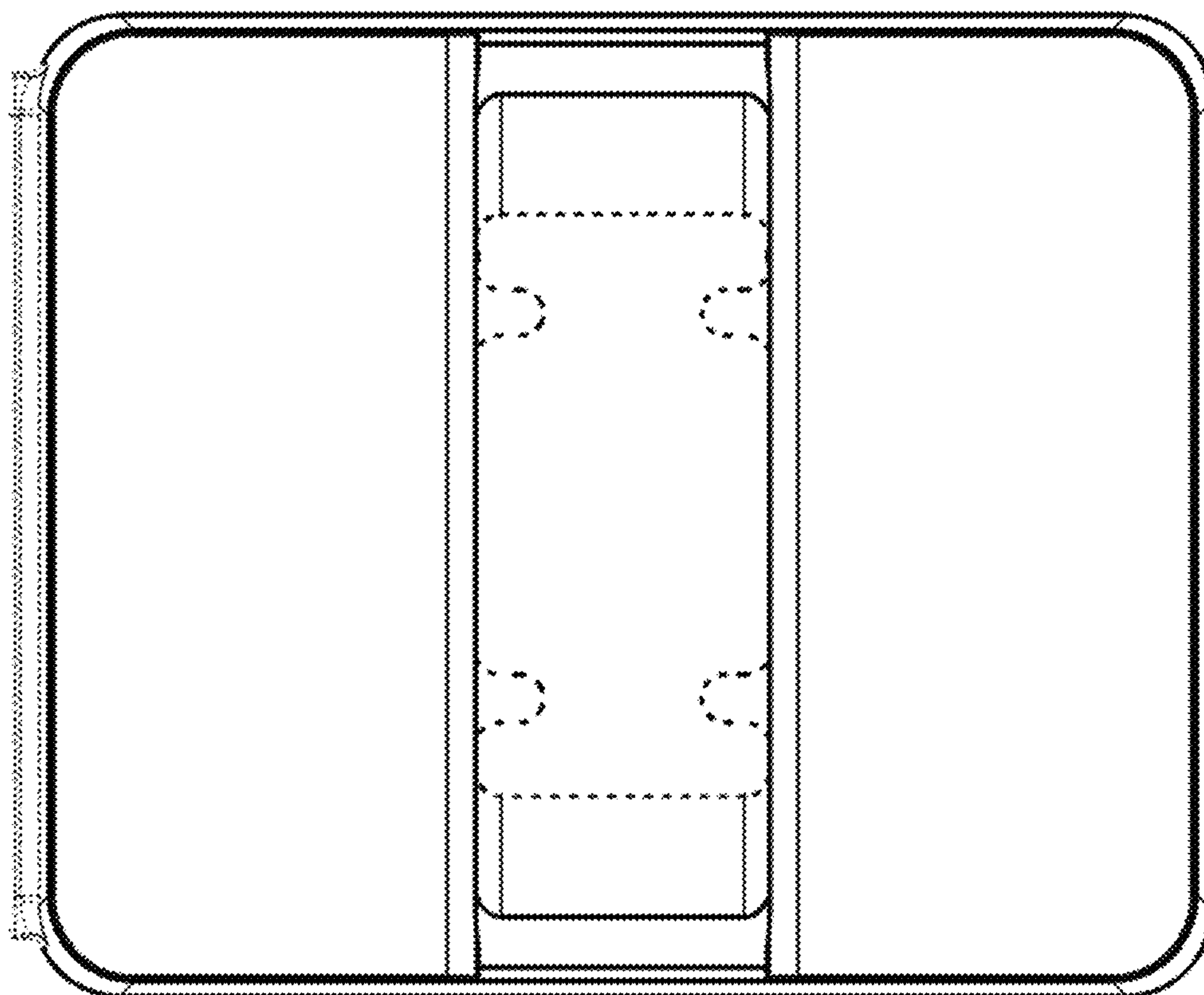


Fig. 2

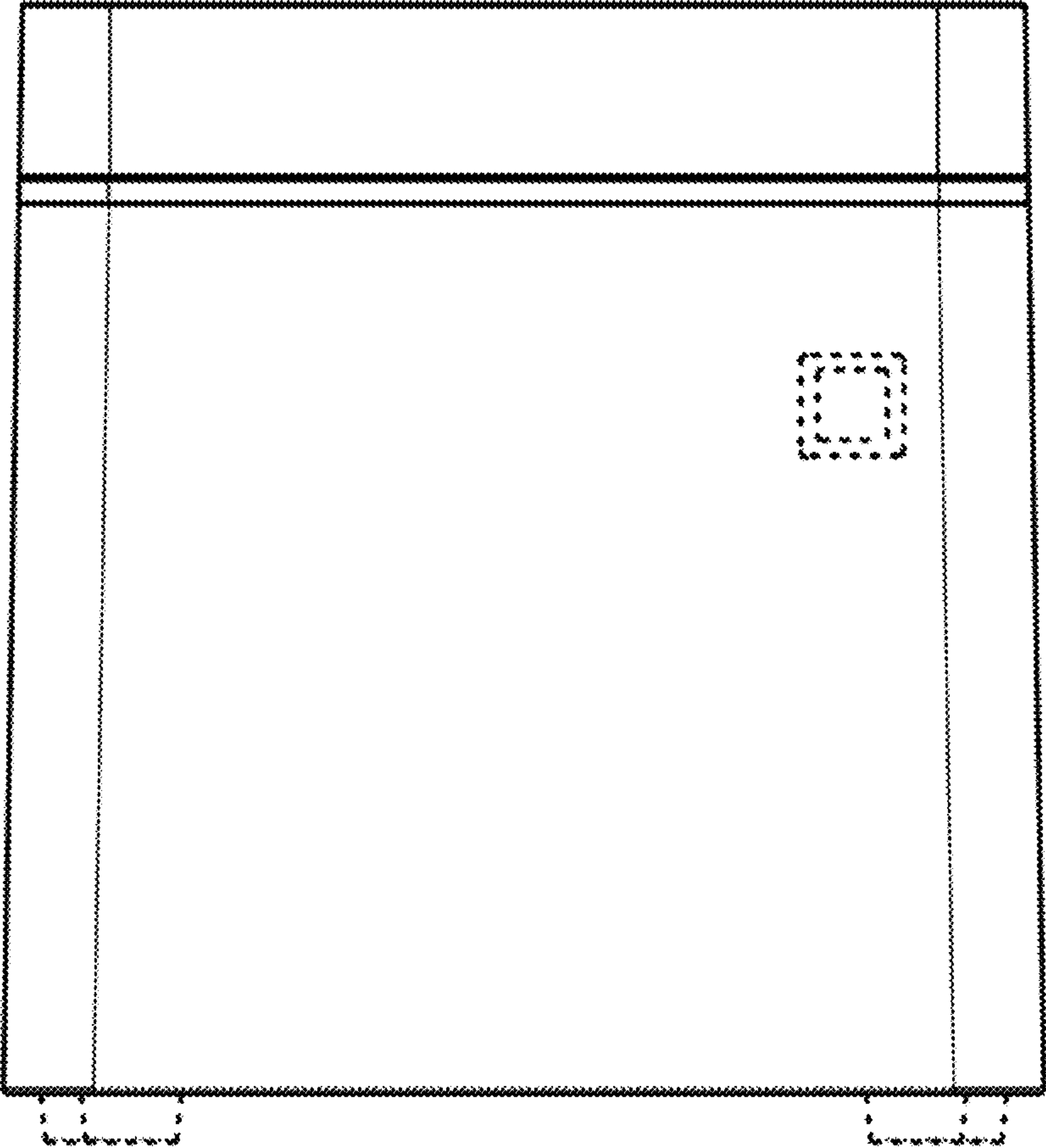


Fig. 3

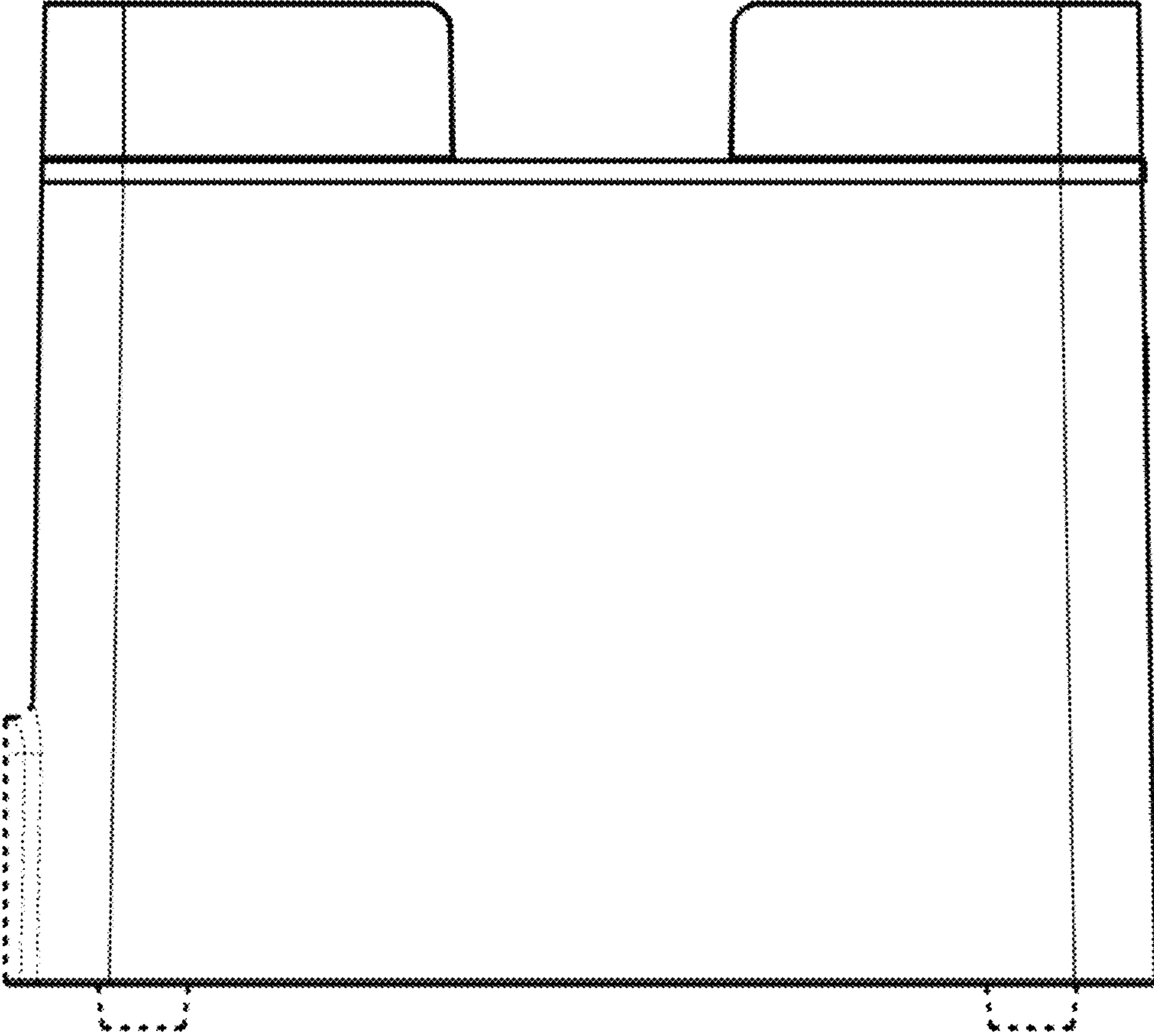


Fig. 4

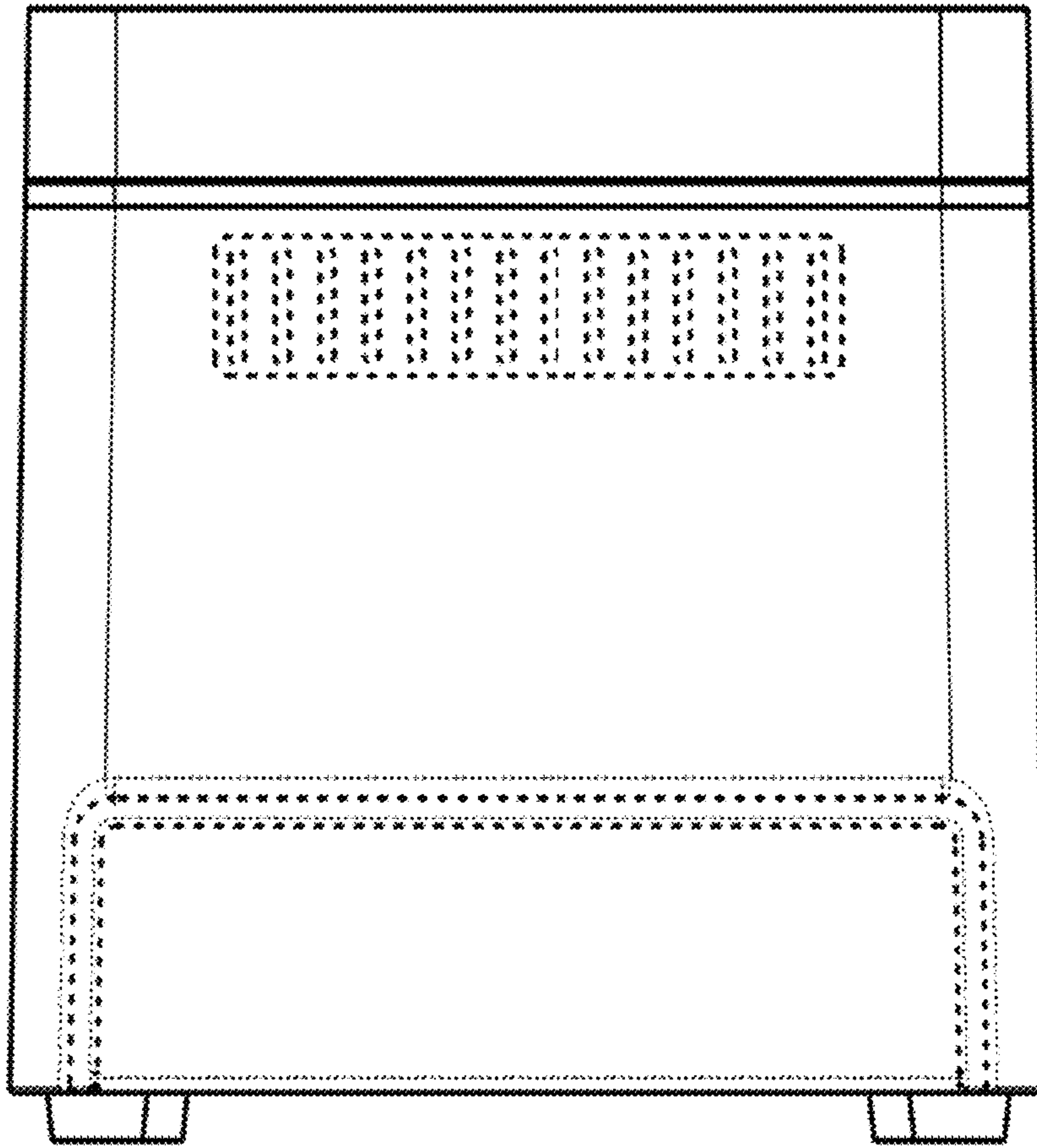


Fig. 5

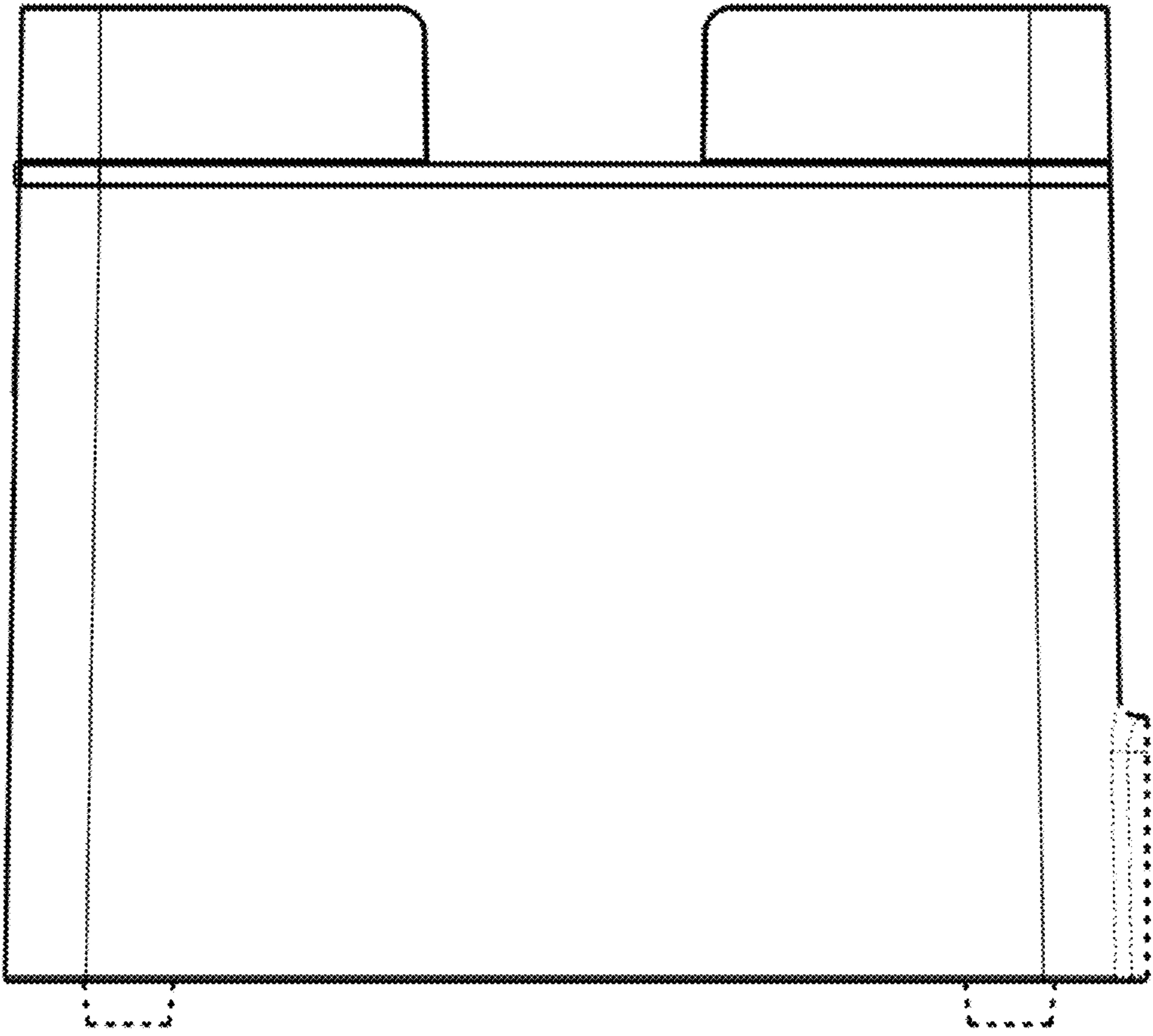


Fig. 6

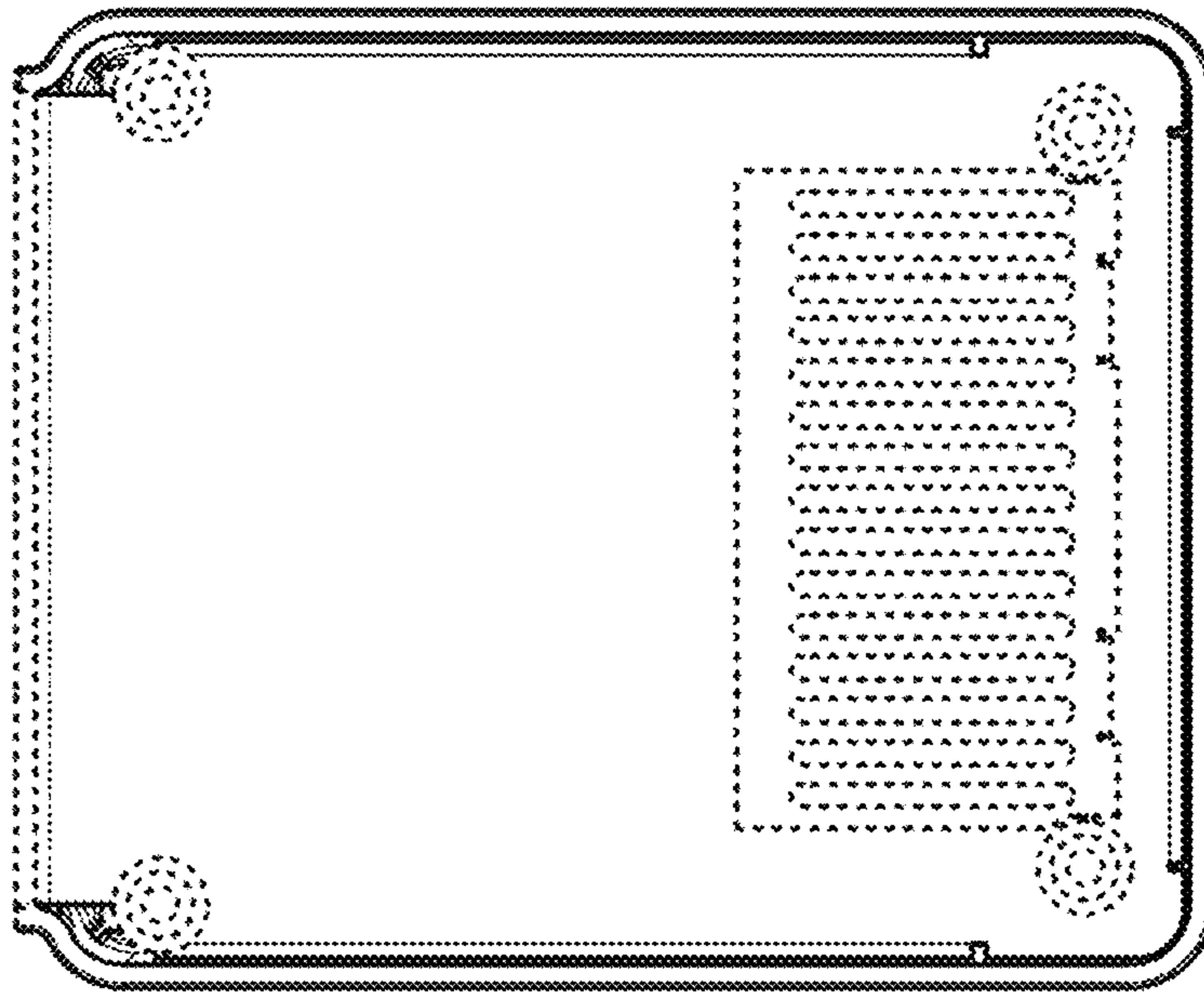


Fig. 7