



US00D796976S

(12) **United States Design Patent**  
**Worden et al.**

(10) **Patent No.:** **US D796,976 S**  
(45) **Date of Patent:** **\*\* Sep. 12, 2017**

(54) **SENSOR ASSEMBLY**

FOREIGN PATENT DOCUMENTS

(71) Applicant: **General Electric Company**,  
Schenectady, NY (US)

WO 2014031749 A1 2/2014  
WO 2015128050 A1 9/2015

(72) Inventors: **Bret Worden**, Union City, PA (US);  
**Jingjun Zhang**, Erie, PA (US); **David Petersen**, Erie, PA (US)

\* cited by examiner

*Primary Examiner* — Antoine D Davis

(73) Assignee: **General Electric Company**,  
Schenectady, NY (US)

(74) *Attorney, Agent, or Firm* — Global Patent Operation;  
John A. Kramer

(\*\*) Term: **15 Years**

(57) **CLAIM**

(21) Appl. No.: **29/549,058**

The ornamental design for a sensor assembly, as shown and described.

(22) Filed: **Dec. 18, 2015**

(51) **LOC (10) Cl.** ..... **10-04**

(52) **U.S. Cl.**

USPC ..... **D10/75**

(58) **Field of Classification Search**

USPC ..... D10/46, 75

CPC ..... G01D 5/00; G06F 1/166; G06F 1/1656;

G06F 1/1626; G06F 1/1609; G06F 1/637;

G06F 3/03547; G06F 3/04842; G06F

3/04817; G01M 17/00; G01R 31/007;

G01R 31/3648; G01R 31/3693; G01R

31/3627; F17D 1/08; F02P 17/08

See application file for complete search history.

**DESCRIPTION**

FIG. 1 is a front perspective view of a sensor assembly according to our new design;

FIG. 2 is a rear perspective view of the sensor assembly;

FIG. 3 is a top view of the sensor assembly;

FIG. 4 is a bottom view of the sensor assembly;

FIG. 5 is a right view of the sensor assembly

FIG. 6 is a left view of the sensor assembly;

FIG. 7 is a front view of the sensor assembly; and,

FIG. 8 is a rear view of the sensor assembly.

The broken line showing of structural features is included for the purpose of illustrating non-claimed subject matter and forms no part of the claimed design.

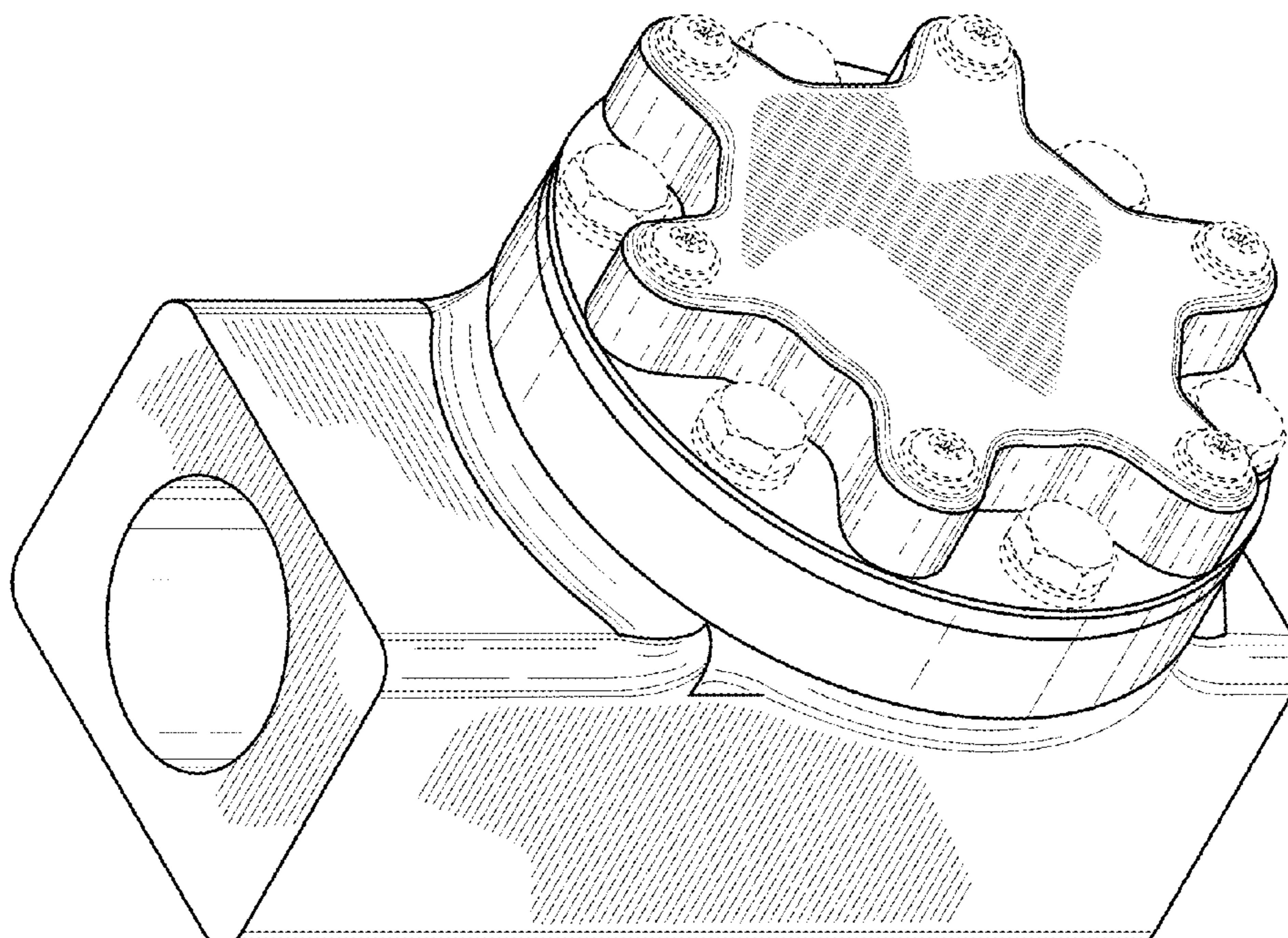
(56) **References Cited**

U.S. PATENT DOCUMENTS

D264,563 S \* 5/1982 Leung ..... D10/75

D725,519 S \* 3/2015 Drew ..... D10/75

**1 Claim, 5 Drawing Sheets**



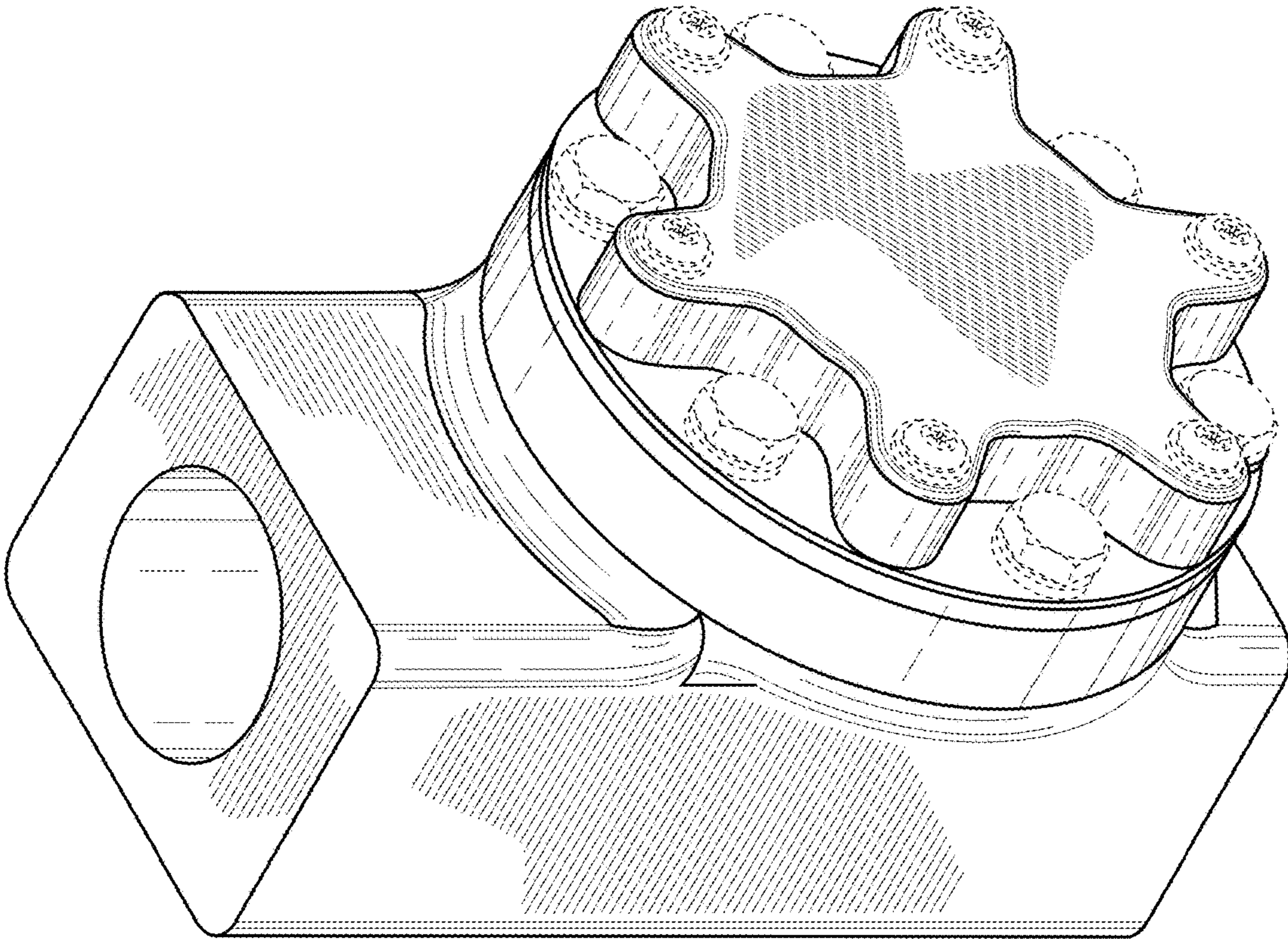


FIG. 1



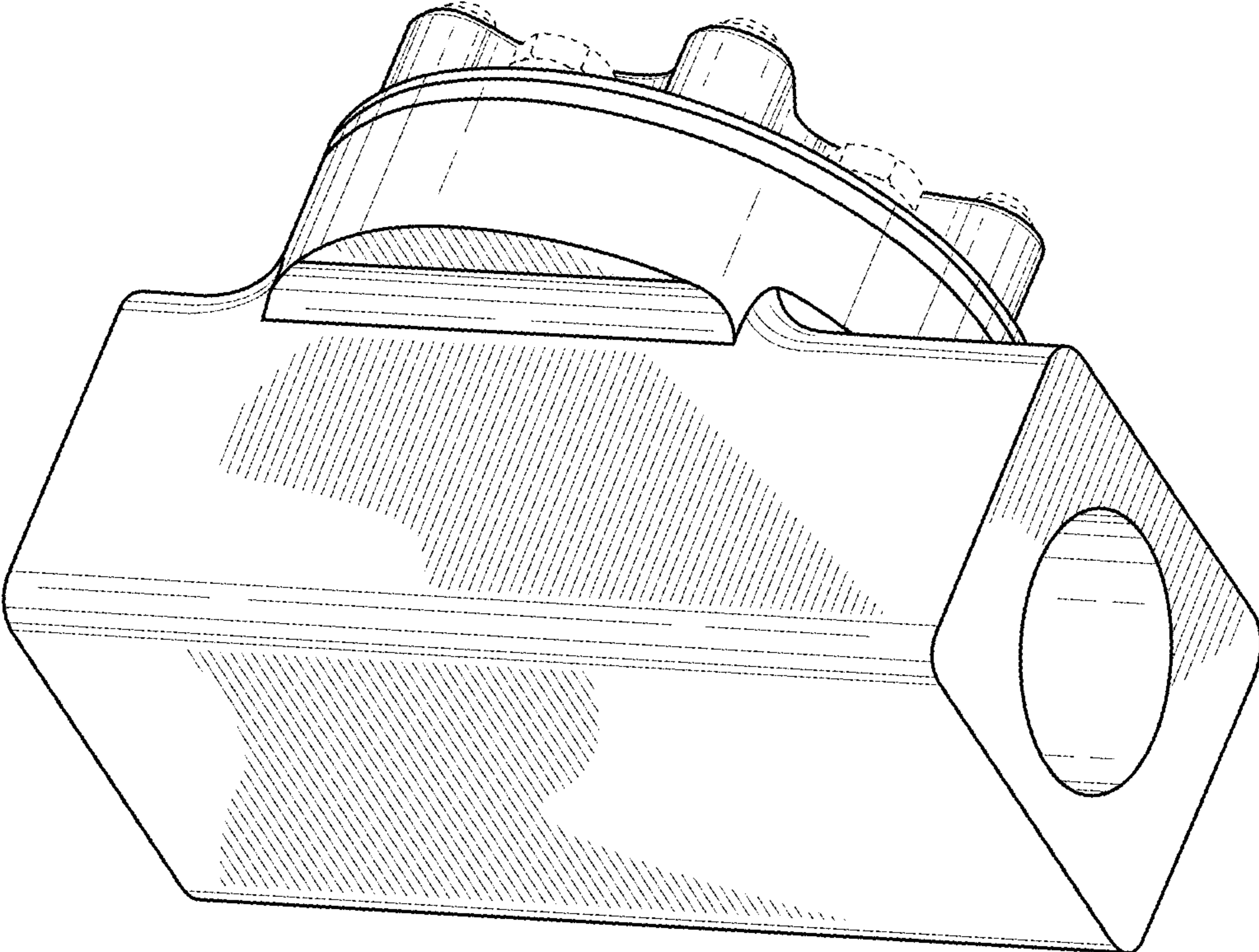


FIG. 2

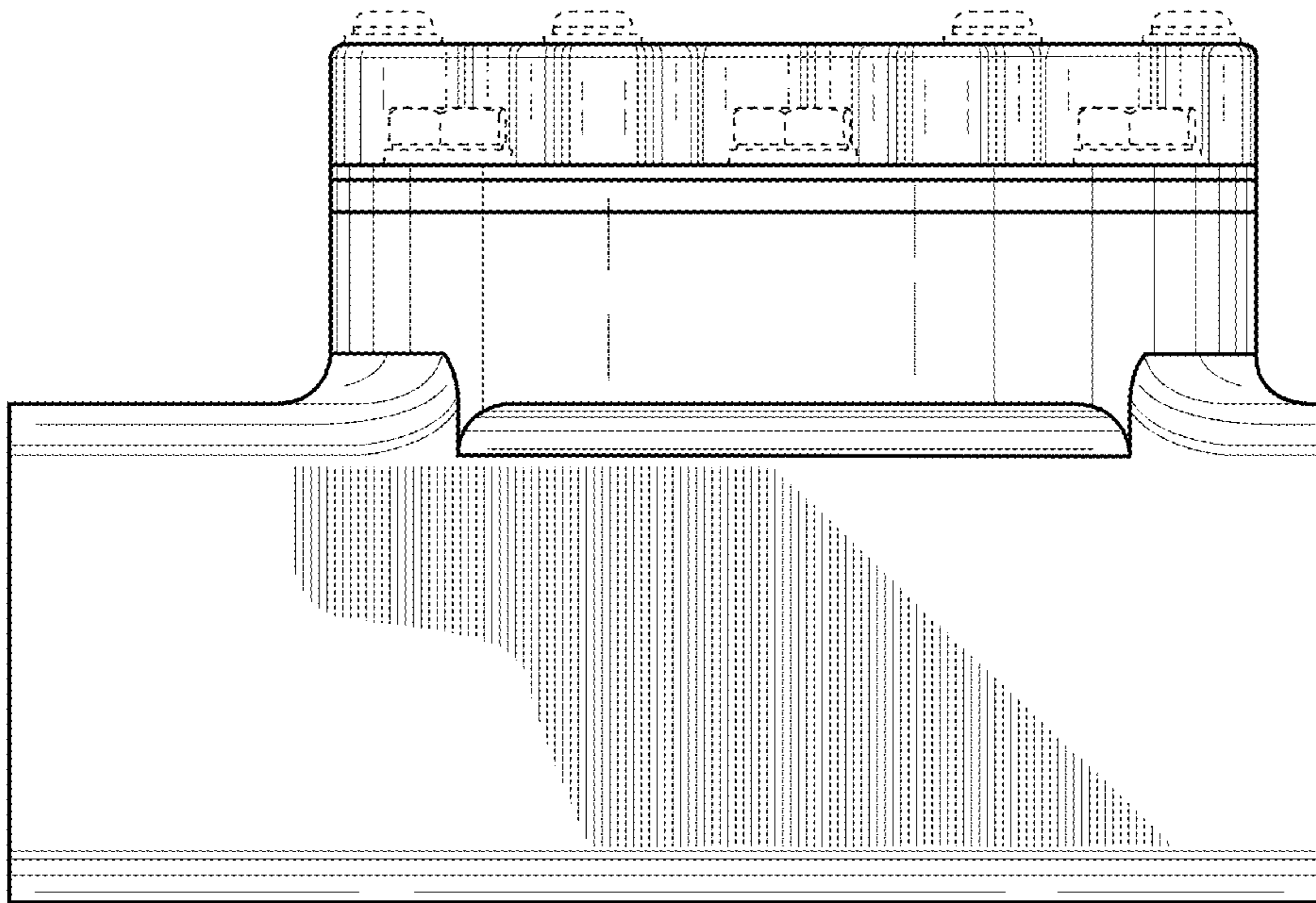


FIG. 3

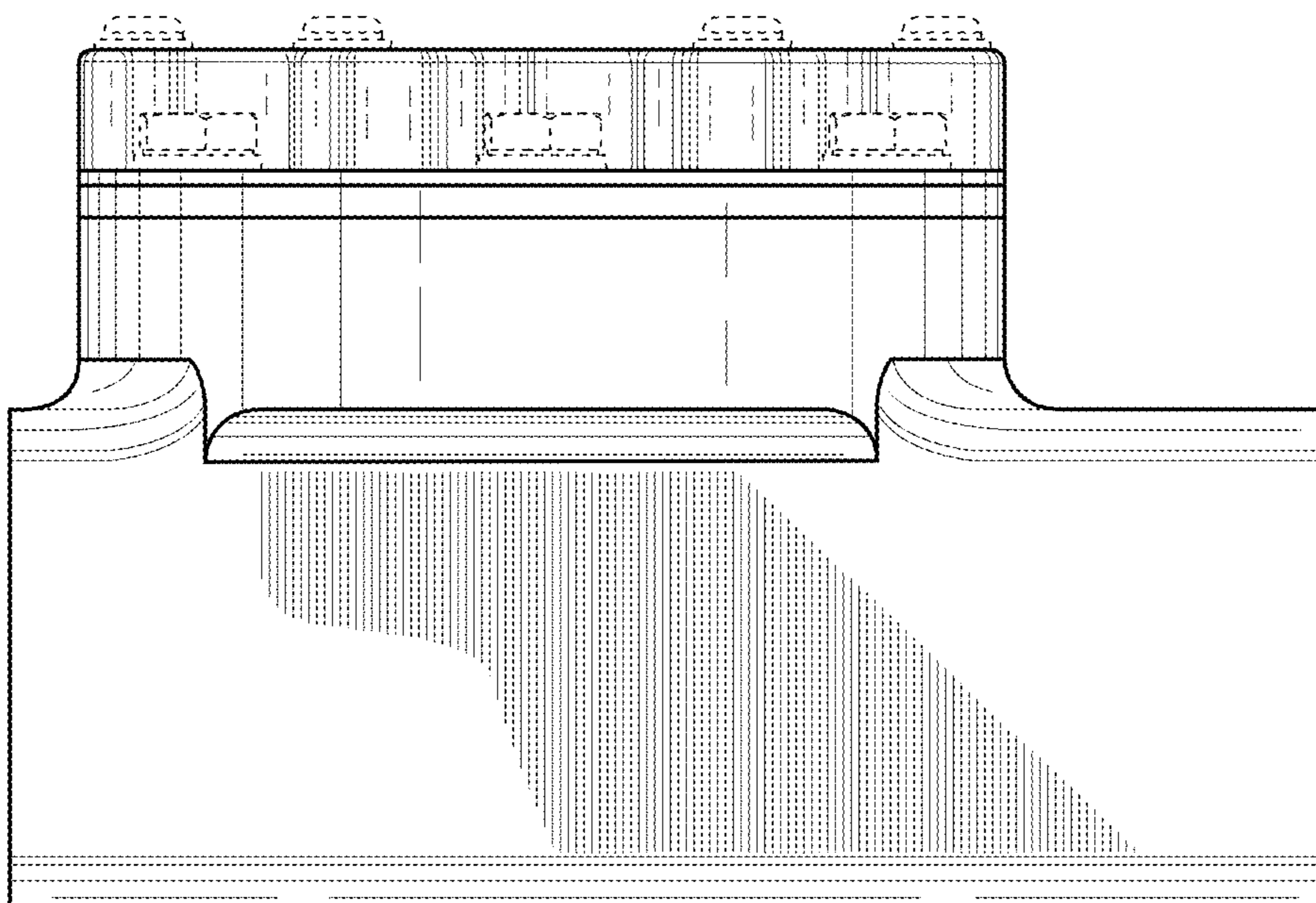


FIG. 4

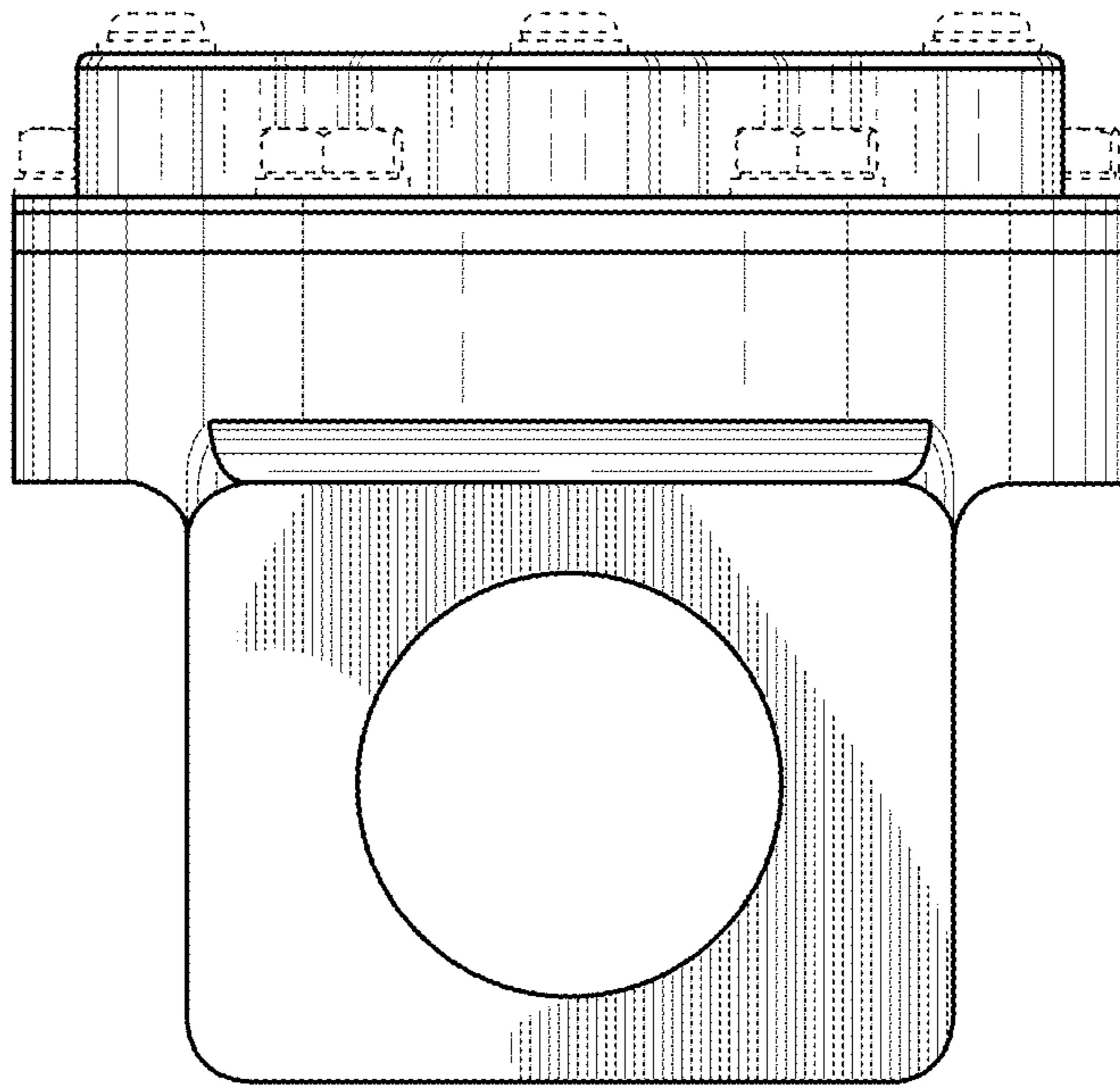


FIG. 5

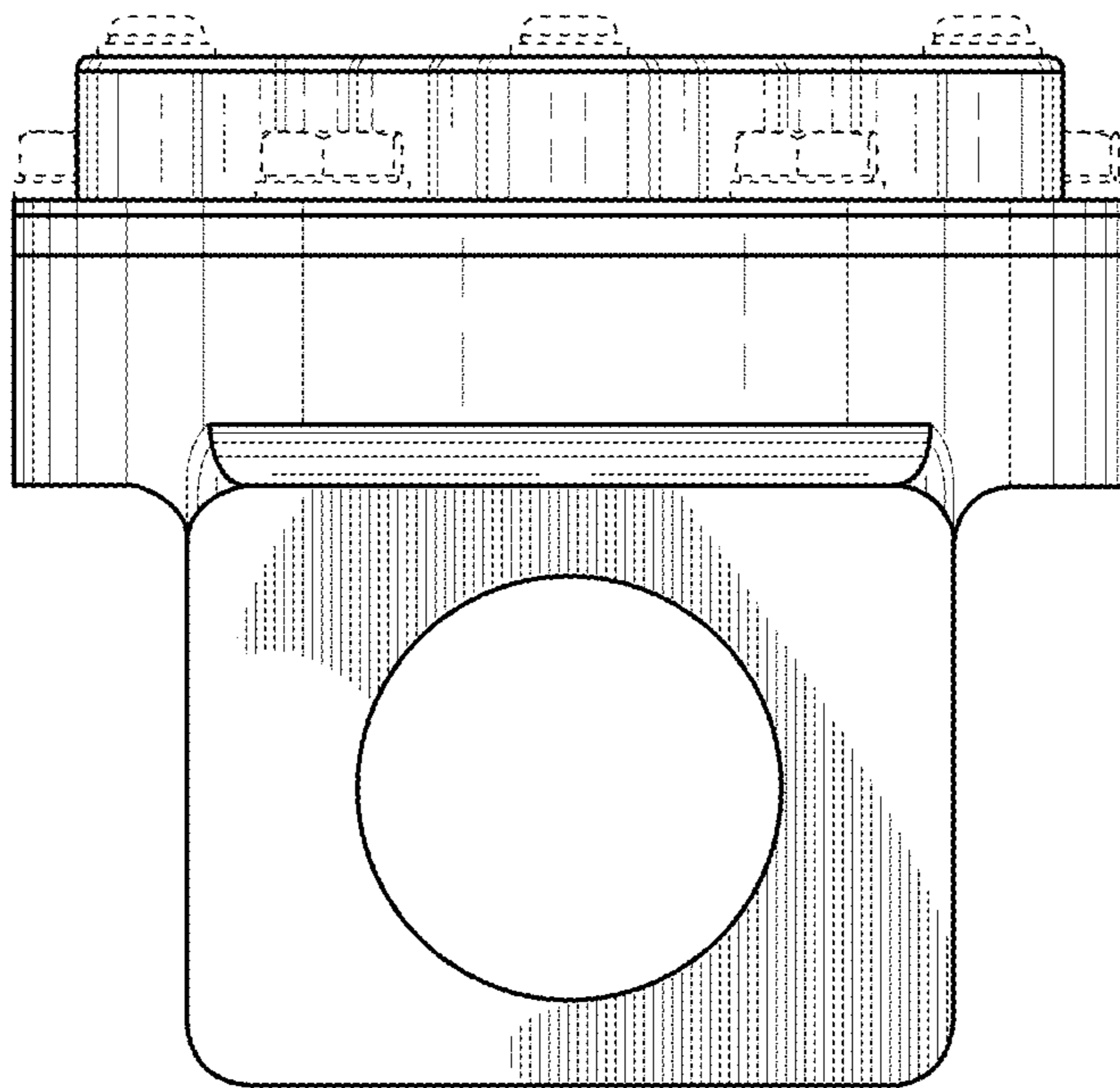


FIG. 6



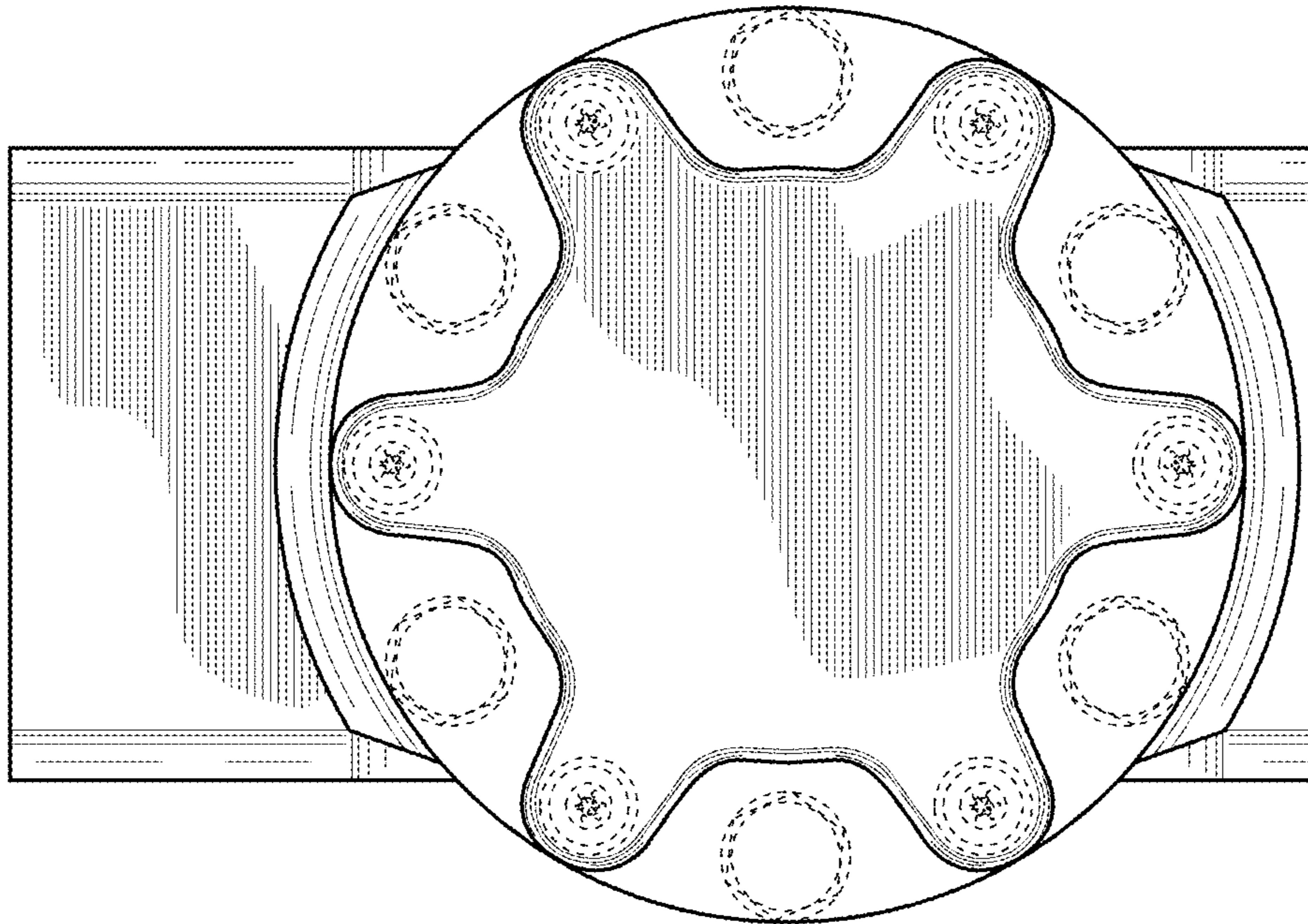


FIG. 7

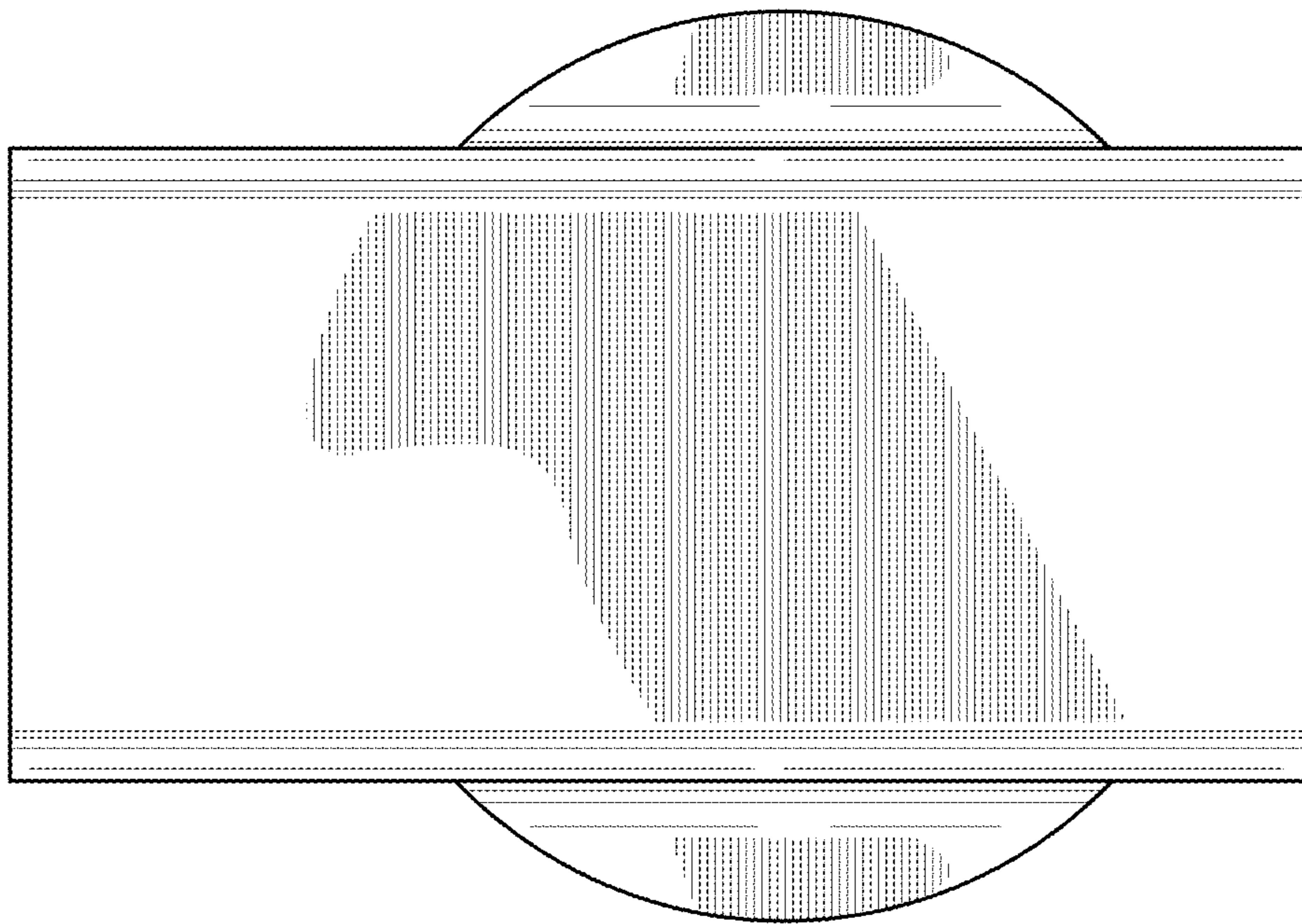


FIG. 8