



US00D796975S

(12) **United States Design Patent** (10) **Patent No.:** **US D796,975 S**
Jou et al. (45) **Date of Patent:** **** Sep. 12, 2017**

(54) **MOTION SENSOR**

- (71) Applicant: **Comcast Cable Communications, LLC**, Philadelphia, PA (US)
- (72) Inventors: **Michael Jou**, Philadelphia, PA (US);
Neil Epstein, Havertown, PA (US);
Fraser Stirling, Bryn Mawr, PA (US);
Thomas Loretan, Philadelphia, PA (US)
- (73) Assignee: **Comcast Cable Communications, LLC**, Philadelphia, PA (US)
- (**) Term: **15 Years**
- (21) Appl. No.: **29/566,210**
- (22) Filed: **May 27, 2016**
- (51) **LOC (10) Cl.** **10-04**
- (52) **U.S. Cl.**
USPC **D10/70; D10/106.6**
- (58) **Field of Classification Search**
USPC D10/30-33, 38, 46, 50-54, 57, 59, 65,
D10/68, 70, 106.1, 106.6, 114.9, 116.1,
D10/116.6, 119.4; D14/94, 344;
D24/167, 186, 187
CPC G08B 21/02
See application file for complete search history.

(56) **References Cited**

U.S. PATENT DOCUMENTS

D604,254 S	*	11/2009	Lanfear	D13/162
D651,716 S	*	1/2012	Shibata	D24/165
D666,512 S	*	9/2012	Gresko	D10/70
D680,010 S	*	4/2013	Shpater	D10/70
D693,710 S	*	11/2013	Bachel	D10/106.6
D700,341 S	*	2/2014	Uozumi	D24/165
D708,971 S	*	7/2014	Jacobs	D10/106.6
D711,258 S	*	8/2014	Jacobs	D10/106.6
D748,271 S	*	1/2016	Clowry	D24/186

(Continued)

OTHER PUBLICATIONS

XJS1-TY Motion Sensor, posted on xfinity.com, no posted date given, no production date given, [online], [site visited Apr. 18, 2017], Available from Internet, <URL: https://www.xfinity.com/support/home-security/xh-device-battery-replacement/>.*

(Continued)

Primary Examiner — Melanie H Tung
Assistant Examiner — Fritzgerald Butac

(74) *Attorney, Agent, or Firm* — Baker & Hostetler LLP

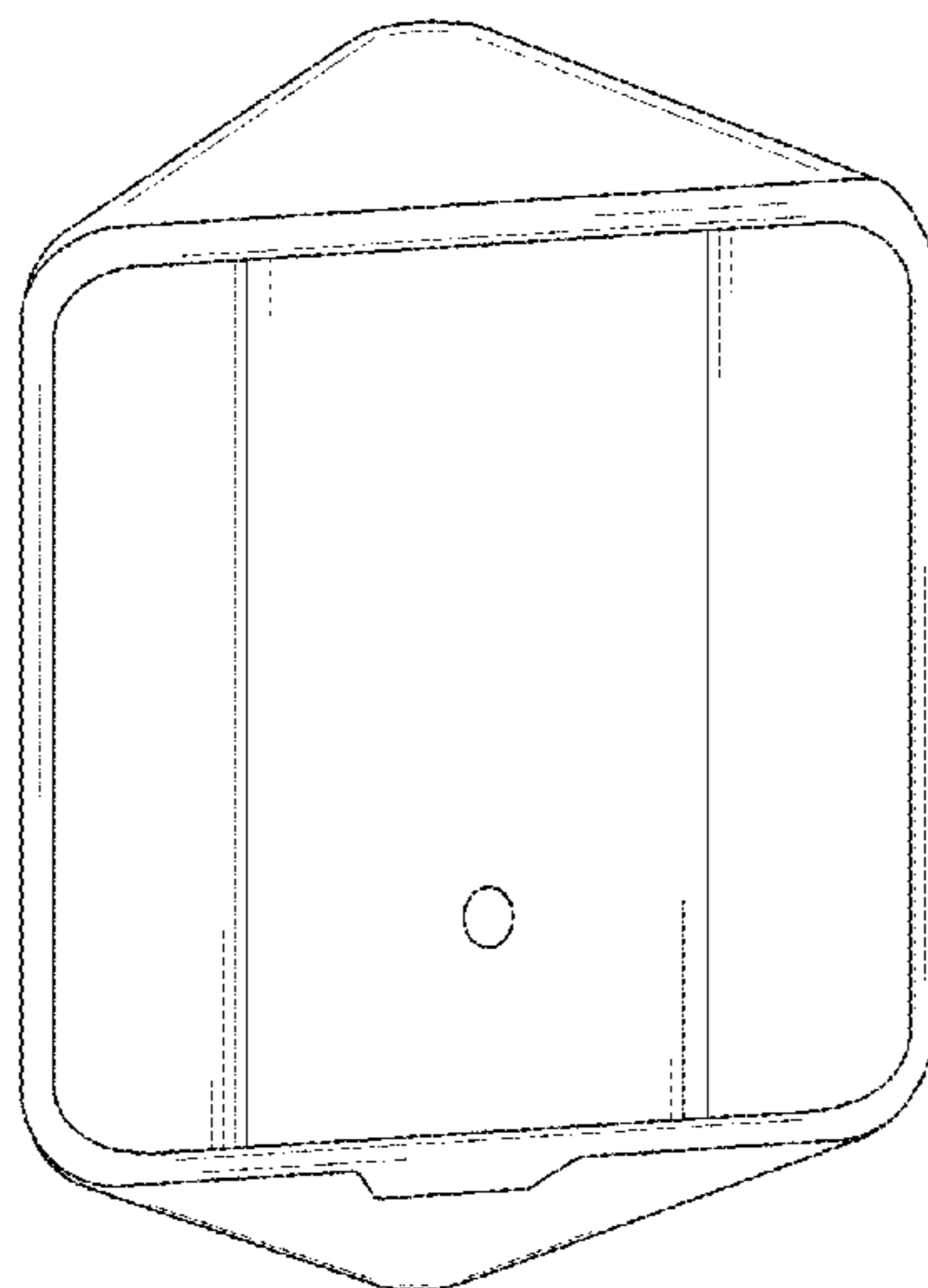
(57) **CLAIM**

The ornamental design for a motion sensor, as shown and described.

DESCRIPTION

FIG. 1 is a perspective view of the first embodiment of a motion sensor according to the present disclosure, on a reduced scale;
 FIG. 2 is a front view of the motion sensor of FIG. 1;
 FIG. 3 is a rear view of the motion sensor of FIG. 1;
 FIG. 4 is a top view of the motion sensor of FIG. 1;
 FIG. 5 is a bottom view of the motion sensor of FIG. 1;
 FIG. 6 is a left side view of the motion sensor of FIG. 1; and
 FIG. 7 is a right side view of the motion sensor of FIG. 1.
 FIG. 8 is a perspective view of another embodiment of a motion sensor according to the present disclosure, on a reduced scale;
 FIG. 9 is a front view of the motion sensor of FIG. 8;
 FIG. 10 is a rear view of the motion sensor of FIG. 8;
 FIG. 11 is a top view of the motion sensor of FIG. 8;
 FIG. 12 is a bottom view of the motion sensor of FIG. 8;
 FIG. 13 is a left side view of the motion sensor of FIG. 8;
 and,
 FIG. 14 is a right side view of the motion sensor of FIG. 8.

1 Claim, 8 Drawing Sheets



(56)

References Cited

U.S. PATENT DOCUMENTS

D757,586 S * 5/2016 Li D10/106.6
D758,905 S * 6/2016 Evans D10/106.1
D764,335 S * 8/2016 Thornton D10/106.6
D772,229 S * 11/2016 Petit-Huguenin D14/358
D780,608 S * 3/2017 Lomas D10/106.6
D782,349 S * 3/2017 Konotopskyi D10/106.6

OTHER PUBLICATIONS

Tyco XHS1-TY Motion Sensor Battery Kit, posted on batteryjunction.com, no posted date given, no production date given, [online], [site visited Apr. 18, 2017], Available from Internet, <URL: <http://www.batteryjunction.com/xfinity-tyco-xhs1-ty-battery.html?gclid=CJLrzPmpr9MCFZuNswodhhsGmQ>>.*

Visonic Next+K9-85 Pet-Tolerant Hard-Wired Digital PIR Detector, posted on surveillance-video.com, no posted date given, no production date given, [online], [site visited Apr. 18, 2017], Available from Internet, <URL: <https://www-surveillance-video.com/security-next-k-985.html>>.*

Z-Wave Plus PIR Motion Detector with Temperature Sensor, posted on monoprice.com, earliest review posted Jun. 17, 2016, no production date given, [online], [site visited Apr. 18, 2017], Available from Internet, <URL: https://www.monoprice.com/product?p_id=15271>.*

* cited by examiner

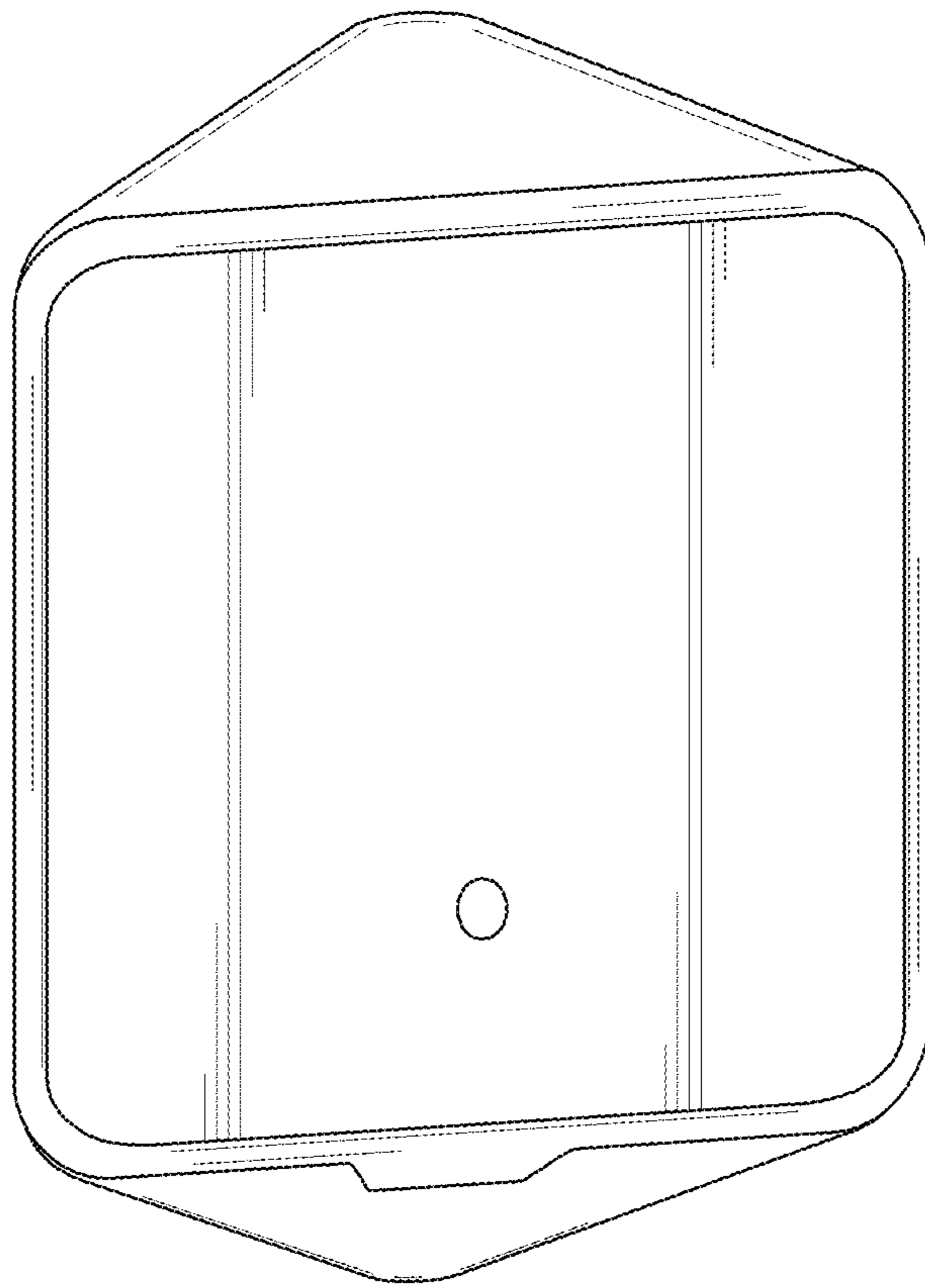


FIG. 1

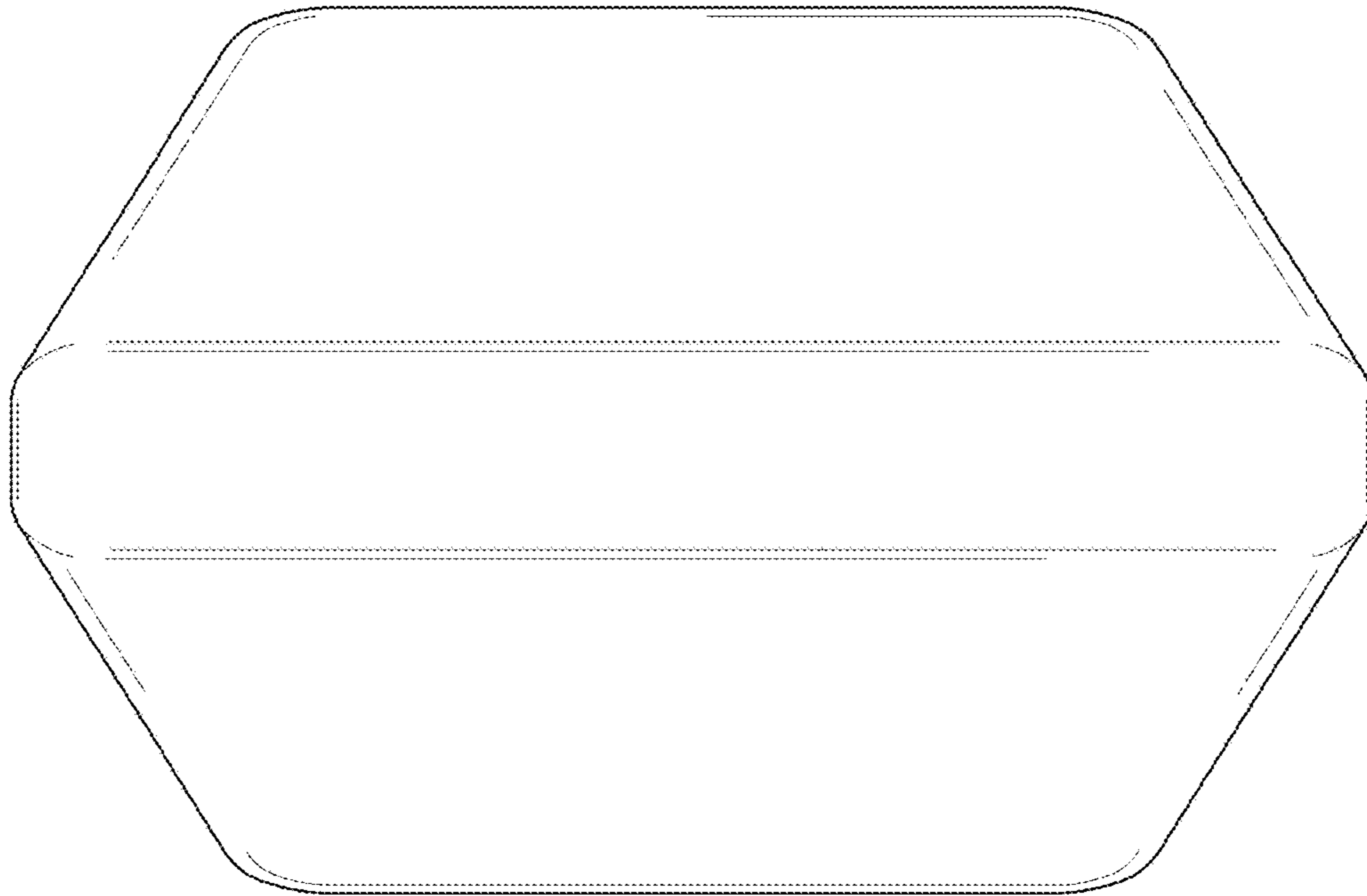


FIG. 3

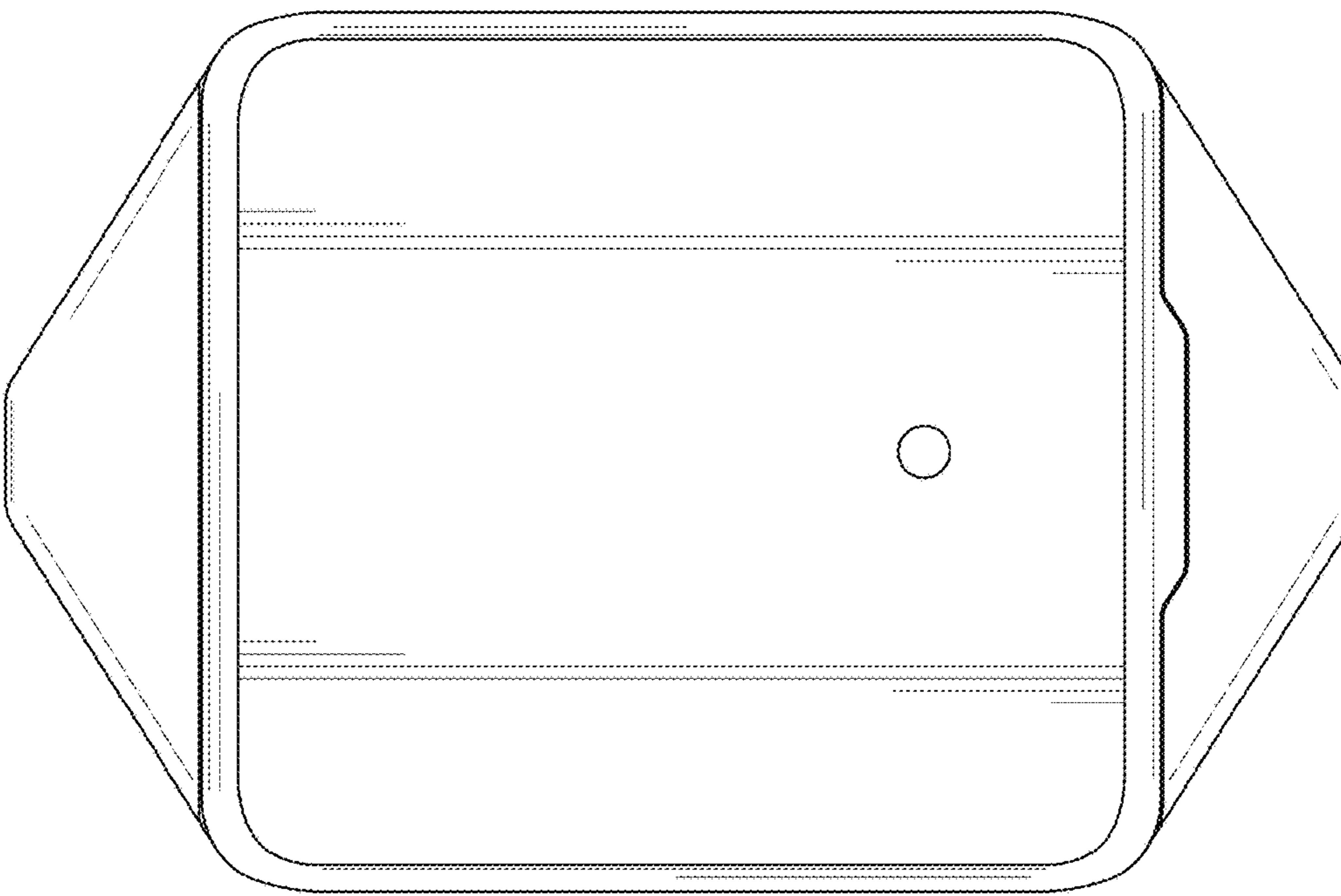


FIG. 2

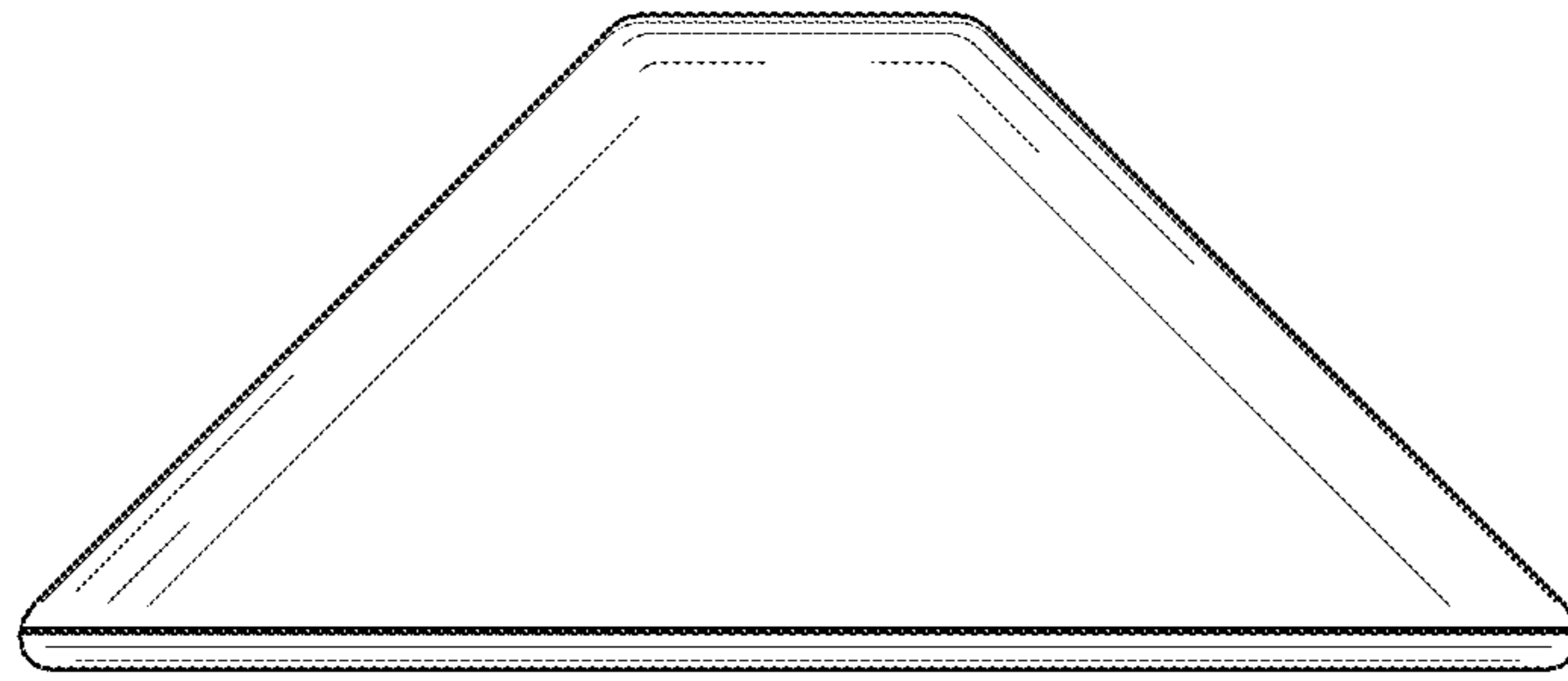


FIG. 4

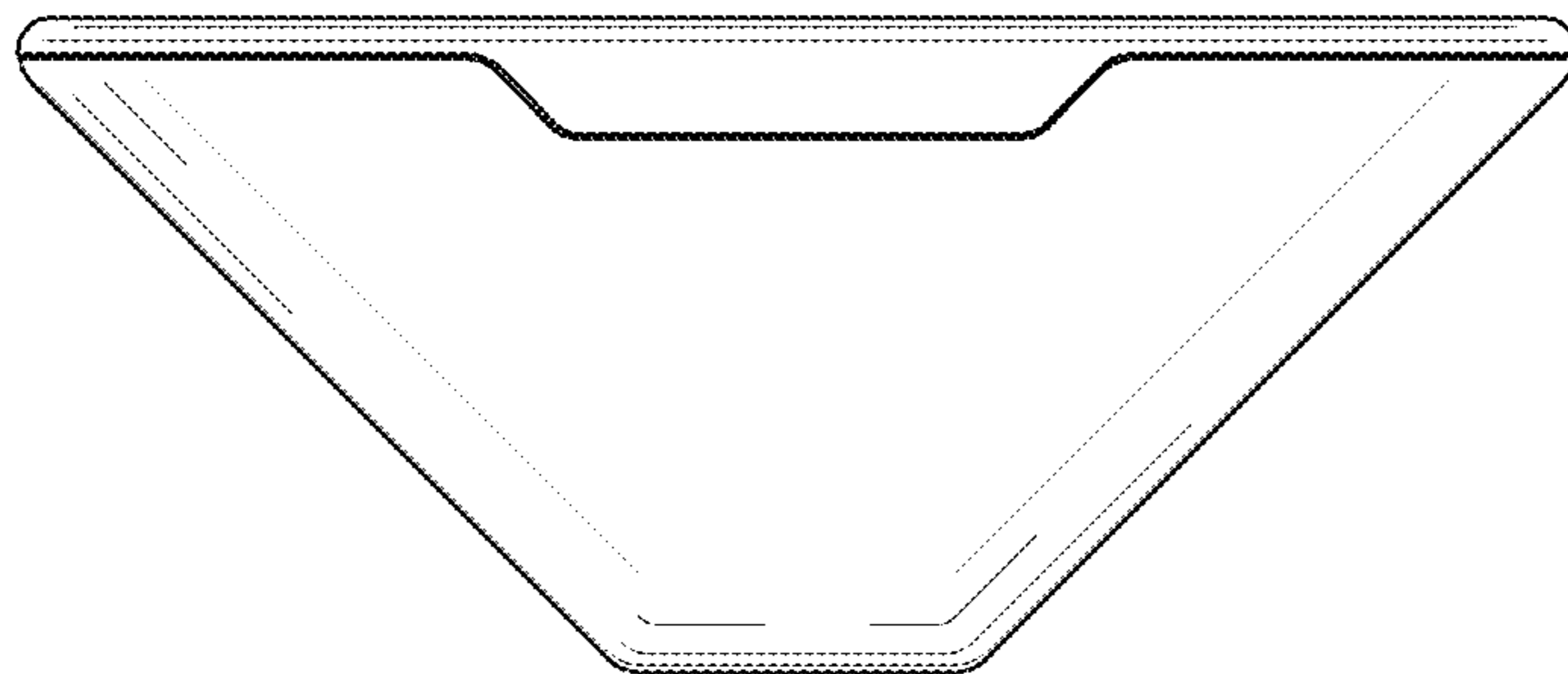


FIG. 5

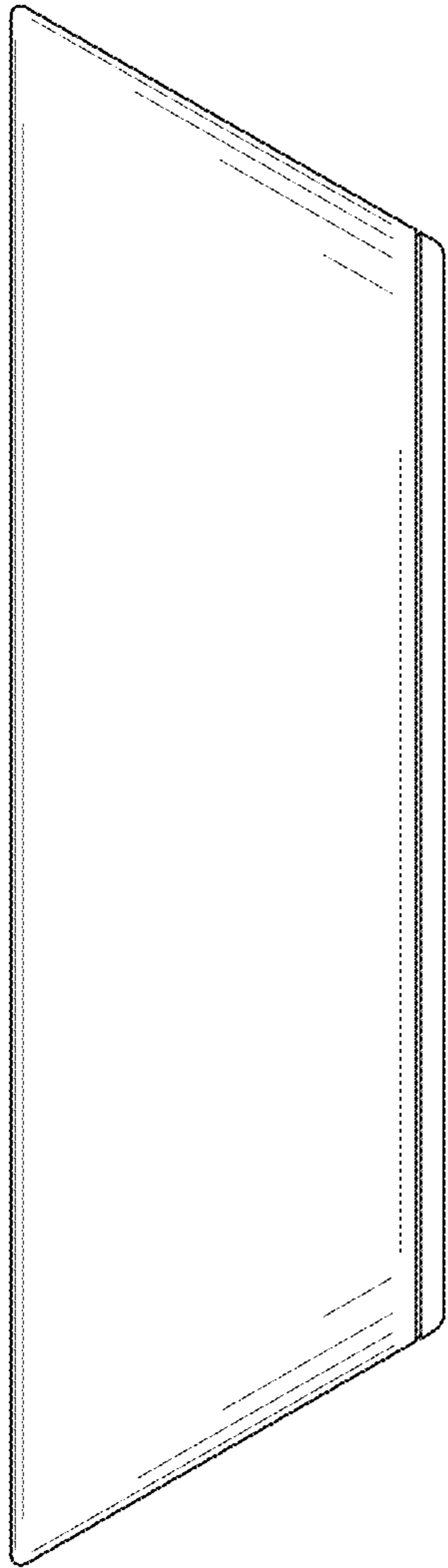


FIG. 6

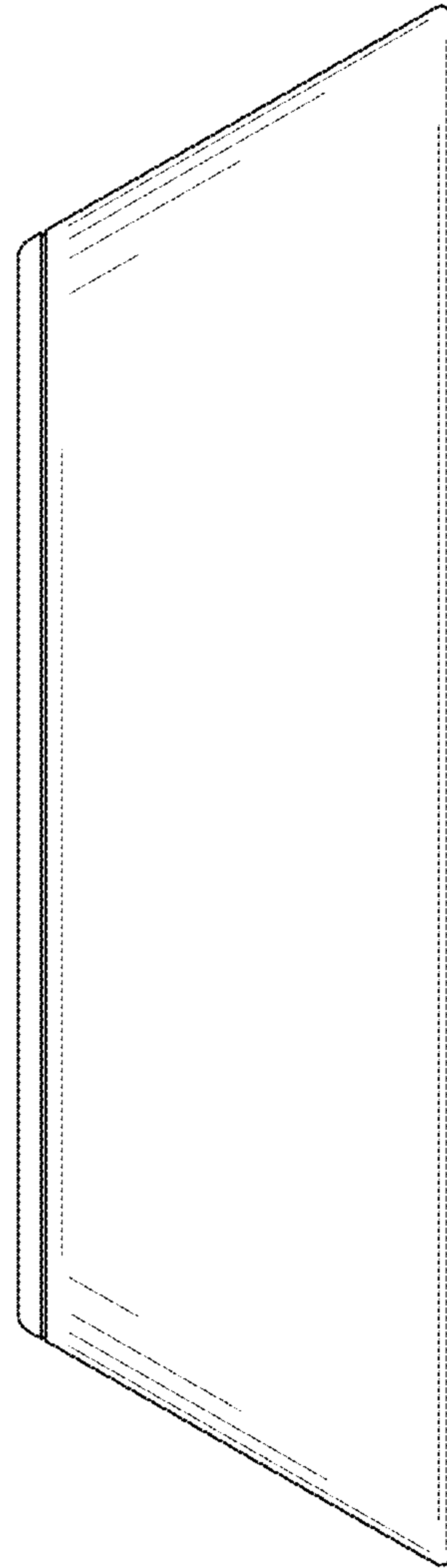


FIG. 7

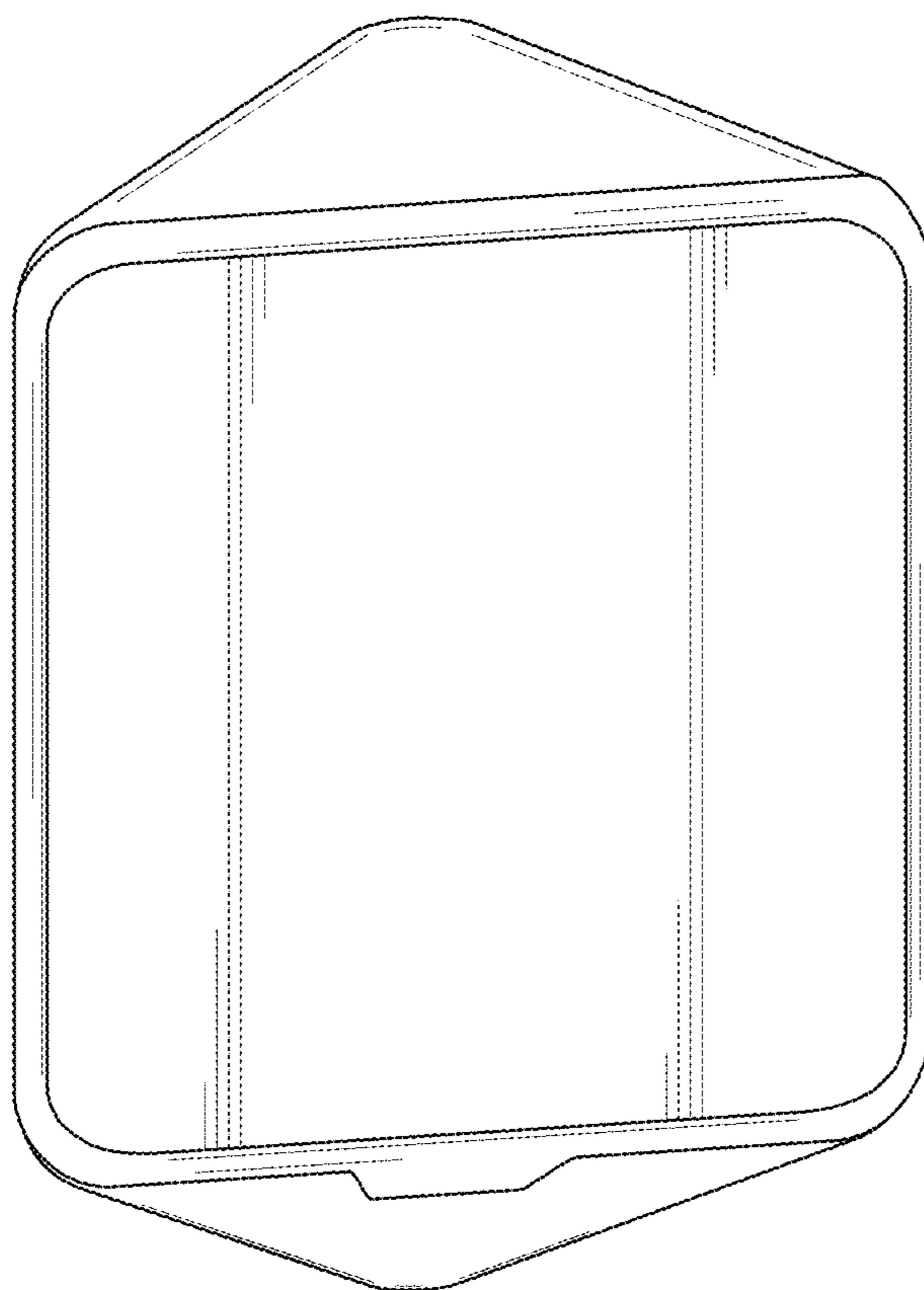


FIG. 8

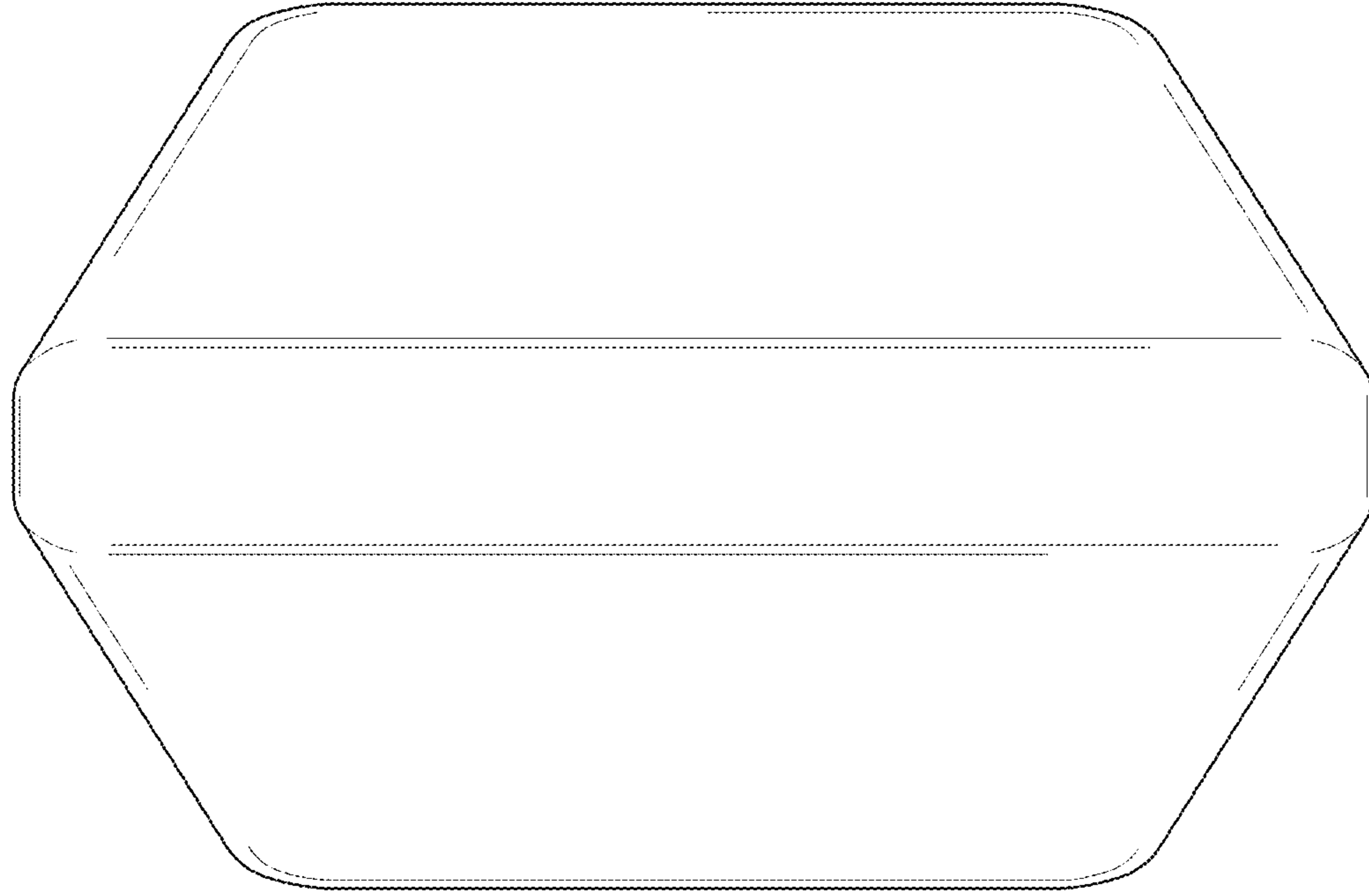


FIG. 10

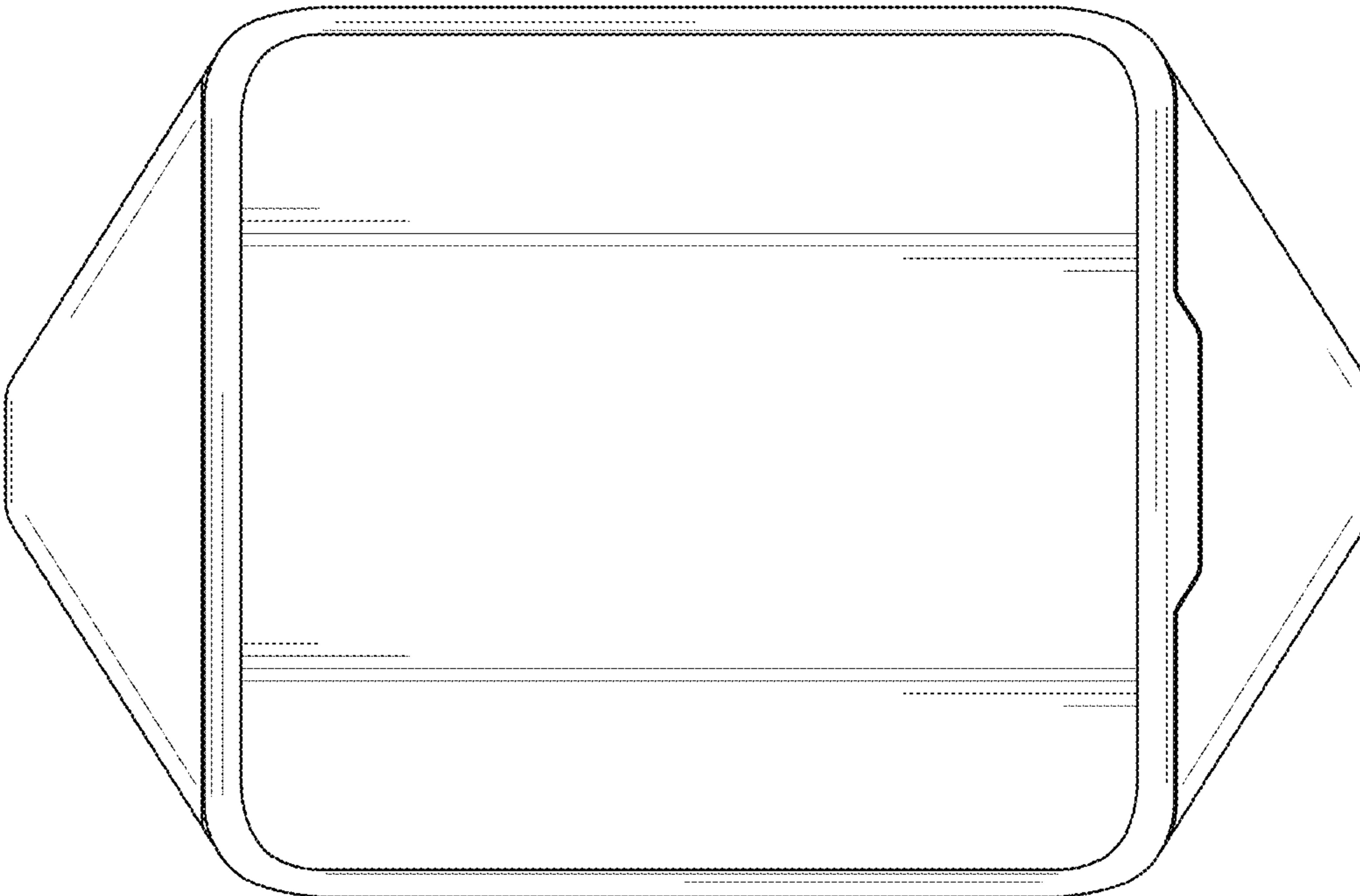


FIG. 9

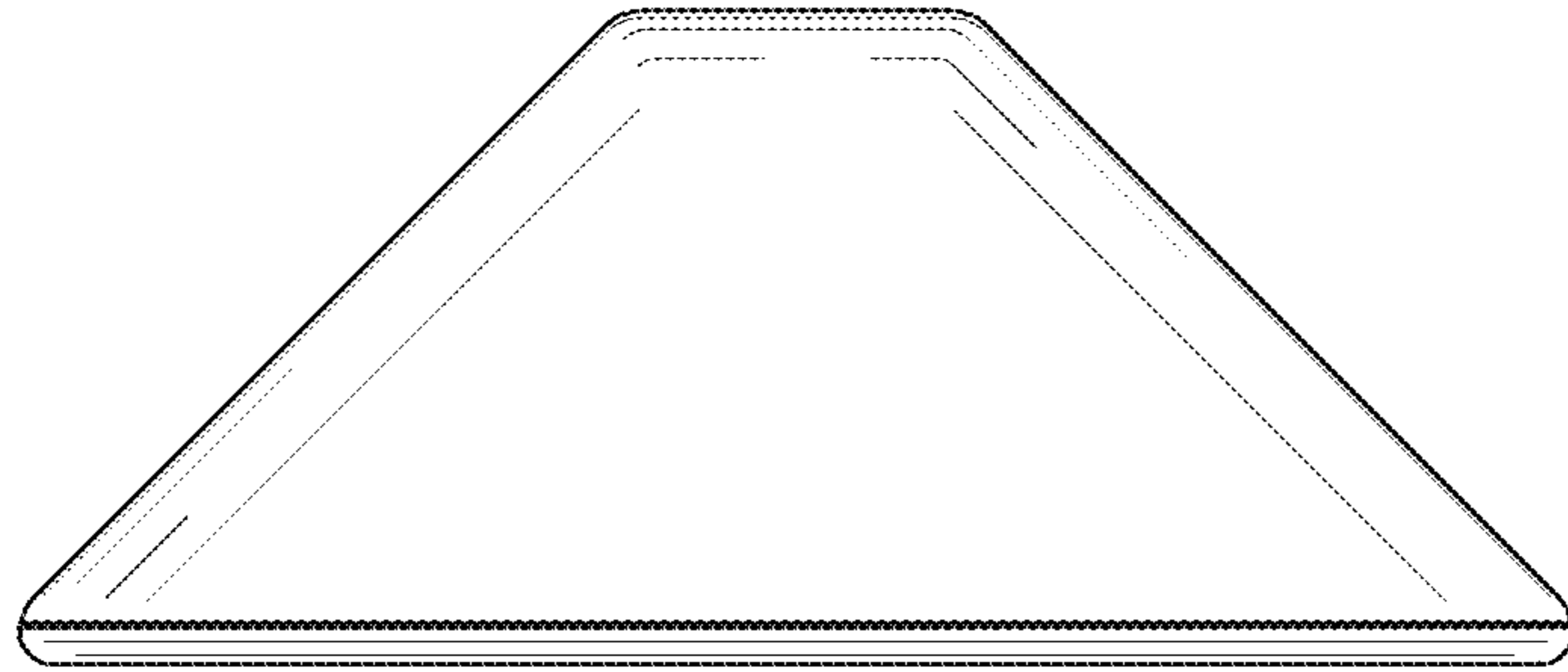


FIG. 11

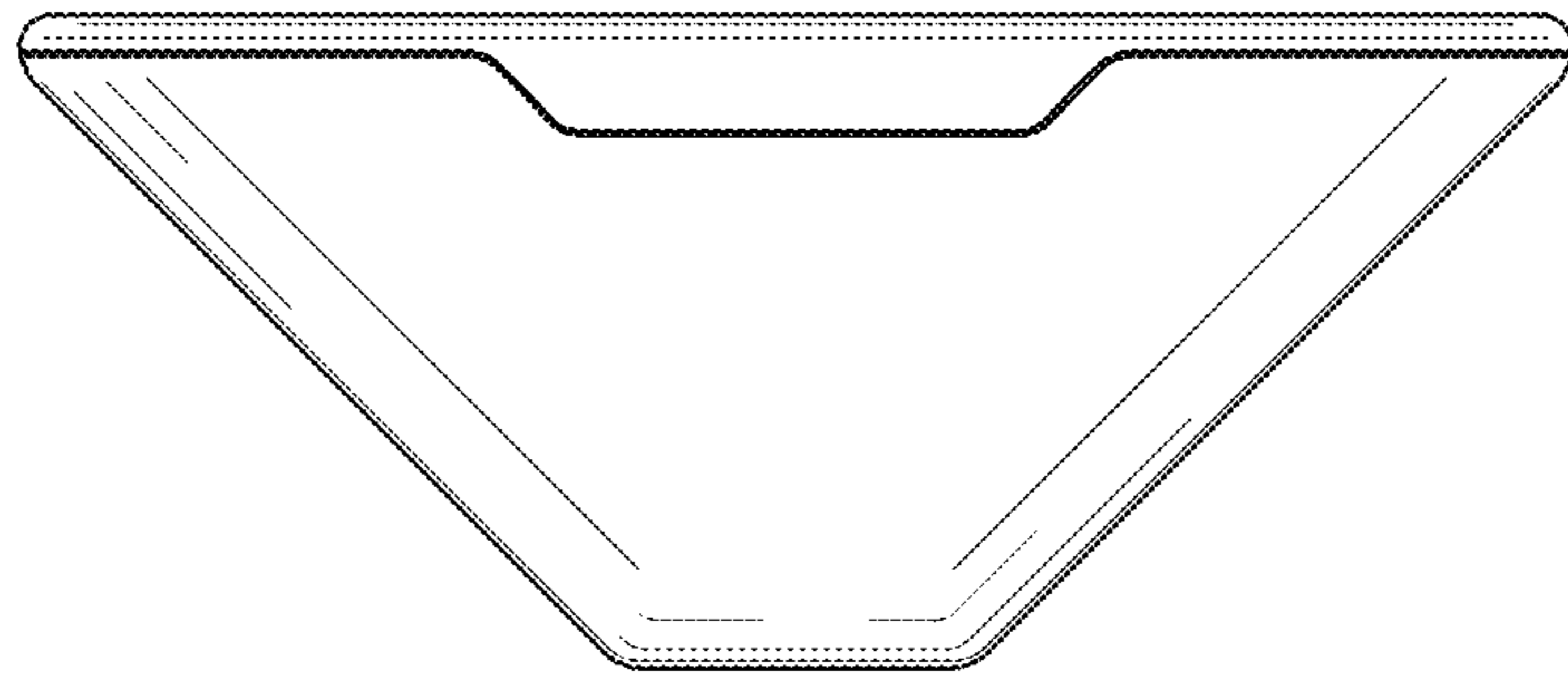


FIG. 12

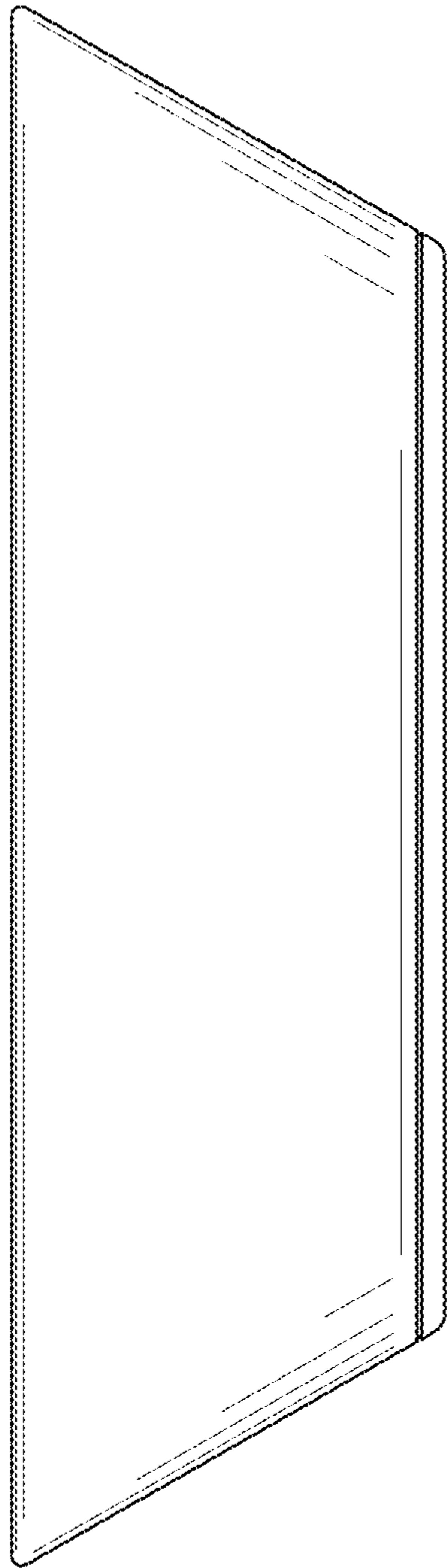


FIG. 13

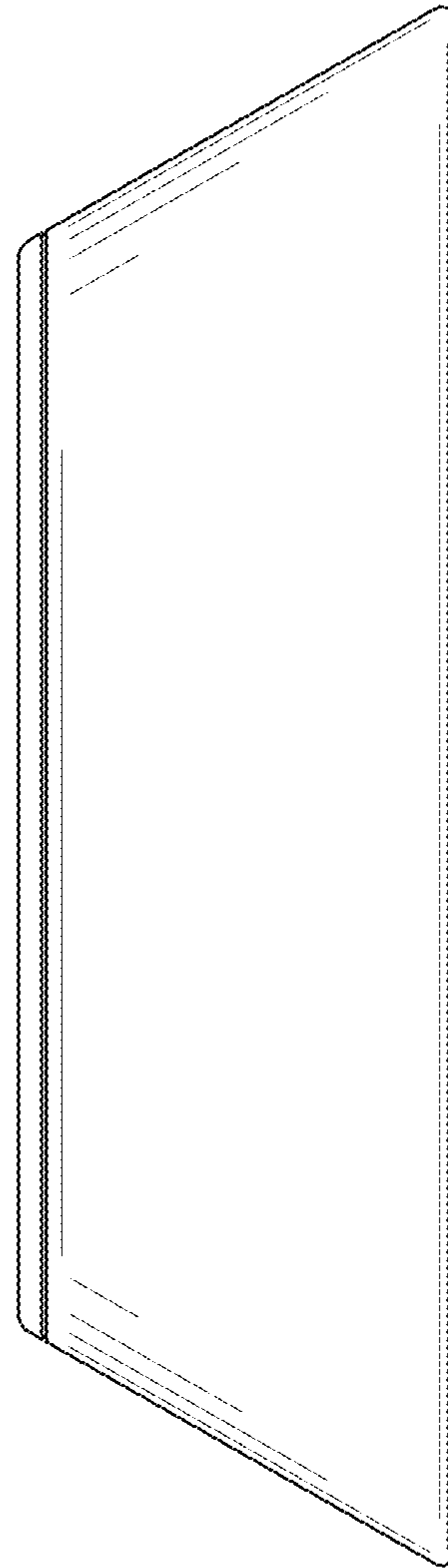


FIG. 14