

US00D796974S

(12) **United States Design Patent** (10) **Patent No.:** **US D796,974 S**  
**Dallarosa et al.** (45) **Date of Patent:** **\*\* Sep. 12, 2017**

(54) **LASER PROCESSING SYSTEM ENCLOSURE**

(71) Applicant: **IPG Photonics Corporation**, Oxford, MA (US)

(72) Inventors: **Joseph Dallarosa**, Uxbridge, MA (US);  
**Benjamin Amar**, Worcester, MA (US);  
**Mark Labbe**, Dayville, CT (US)

(73) Assignee: **IPG Photonics Corporation**, Oxford, MA (US)

(\*\*) Term: **15 Years**

(21) Appl. No.: **29/544,845**

(22) Filed: **Nov. 6, 2015**

(51) **LOC (10) Cl.** ..... **10-04**

(52) **U.S. Cl.**  
USPC ..... **D10/70; D15/122**

(58) **Field of Classification Search**  
USPC ..... **D10/46, 70; D15/122**  
CPC ..... **G02B 7/00; G03F 7/70933; H01S 3/02;**  
**H01S 3/225; H01S 3/005; B23K 26/12;**  
**B23K 26/127**

See application file for complete search history.

(56) **References Cited**

U.S. PATENT DOCUMENTS

D603,430 S \* 11/2009 Masauji ..... D15/122

\* cited by examiner

*Primary Examiner* — Antoine D Davis

(74) *Attorney, Agent, or Firm* — Grossman Tucker  
Perreault & Pflieger, PLLC

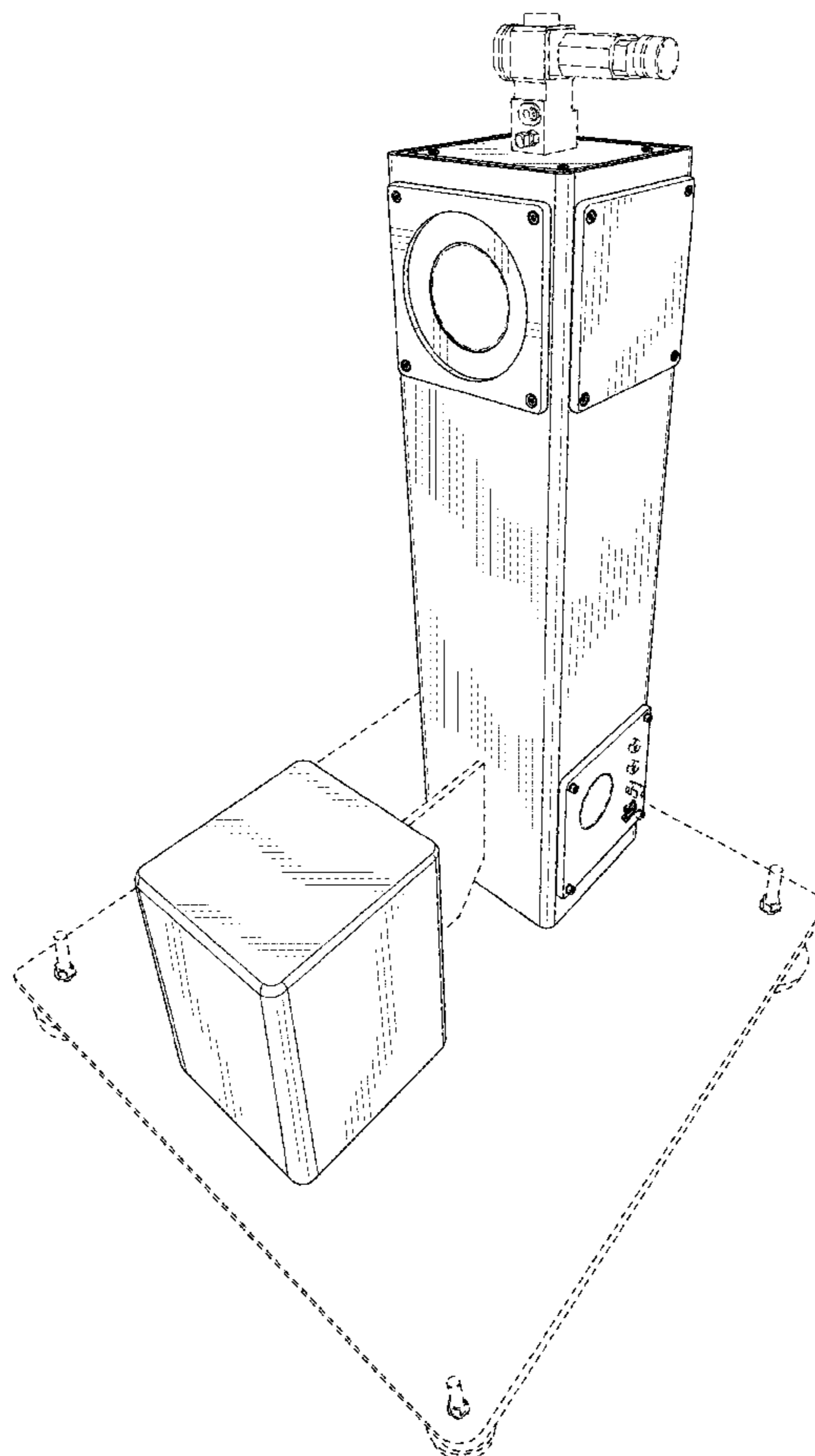
(57) **CLAIM**

The ornamental design of a laser processing system enclosure, substantially as shown and described.

**DESCRIPTION**

FIG. 1 is a top perspective view of a laser processing system enclosure in accordance with the present invention; FIG. 2 is a right side view thereof; FIG. 3 is a left side view thereof; FIG. 4 is a front view thereof; FIG. 5 is a rear view thereof; FIG. 6 is a top view thereof; and, FIG. 7 is a bottom view thereof. The broken lines are included for the purpose of illustrating the unclaimed portions of the article and form no part of the claim.

**1 Claim, 7 Drawing Sheets**



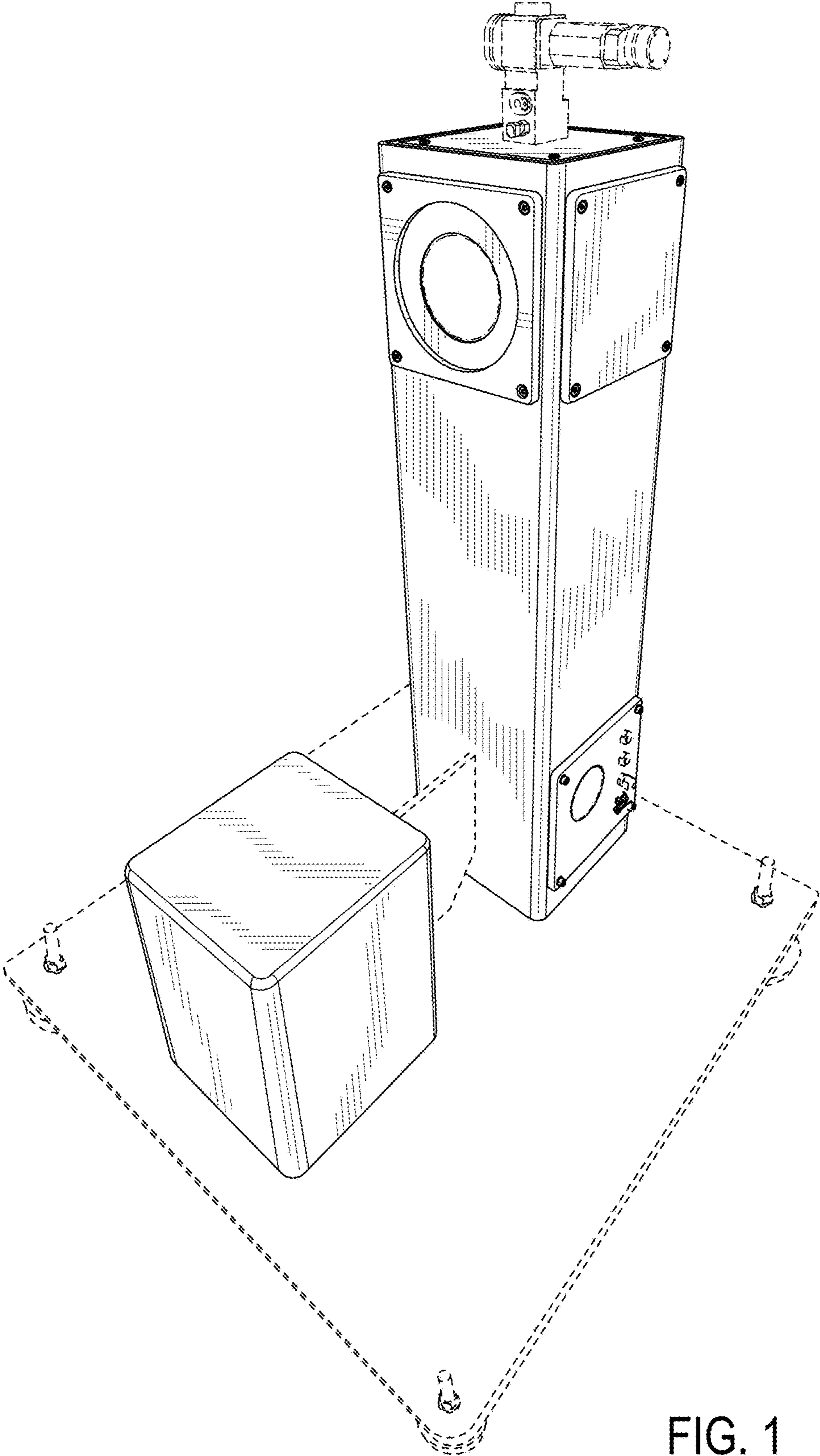


FIG. 1

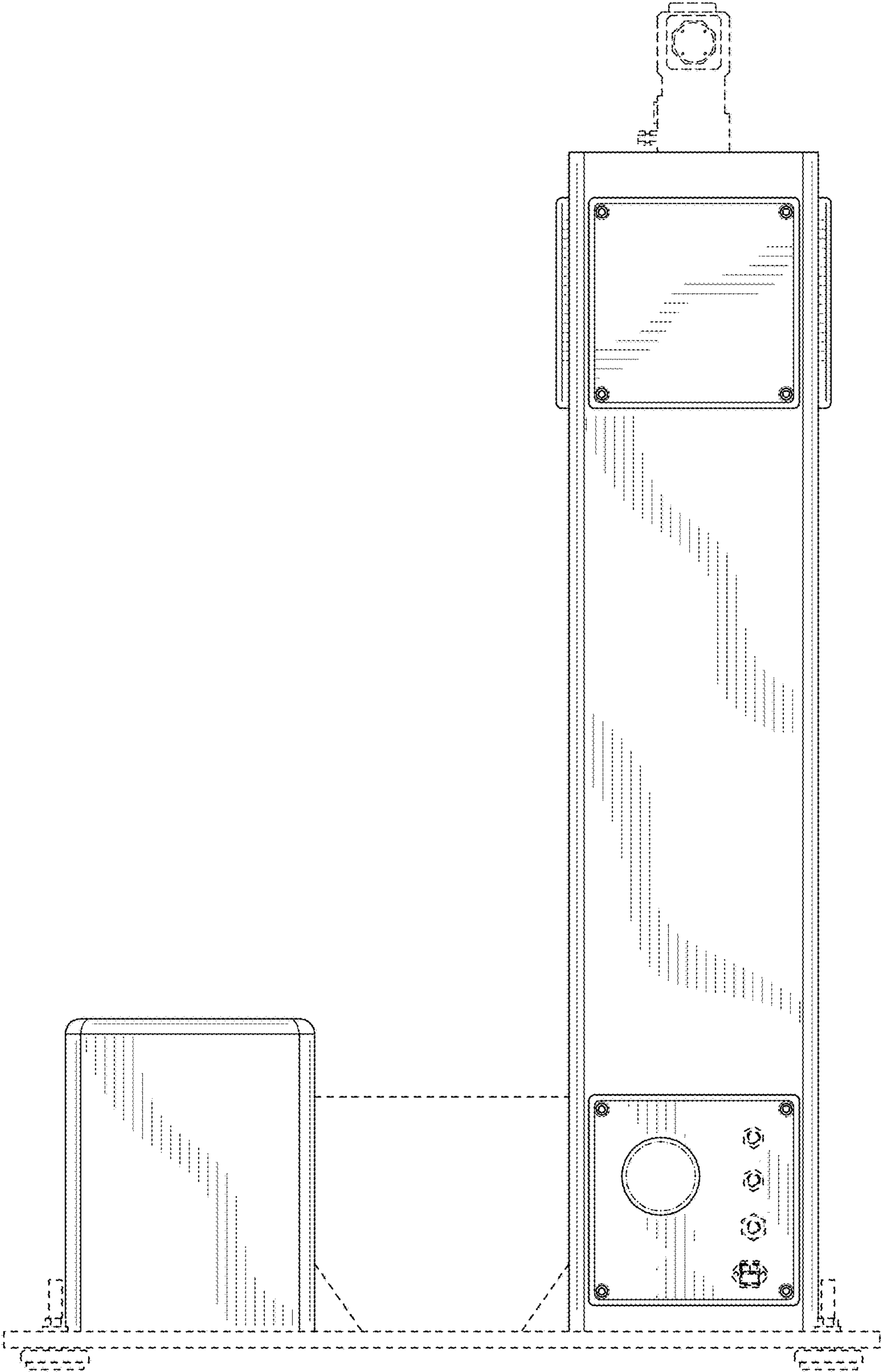


FIG. 2

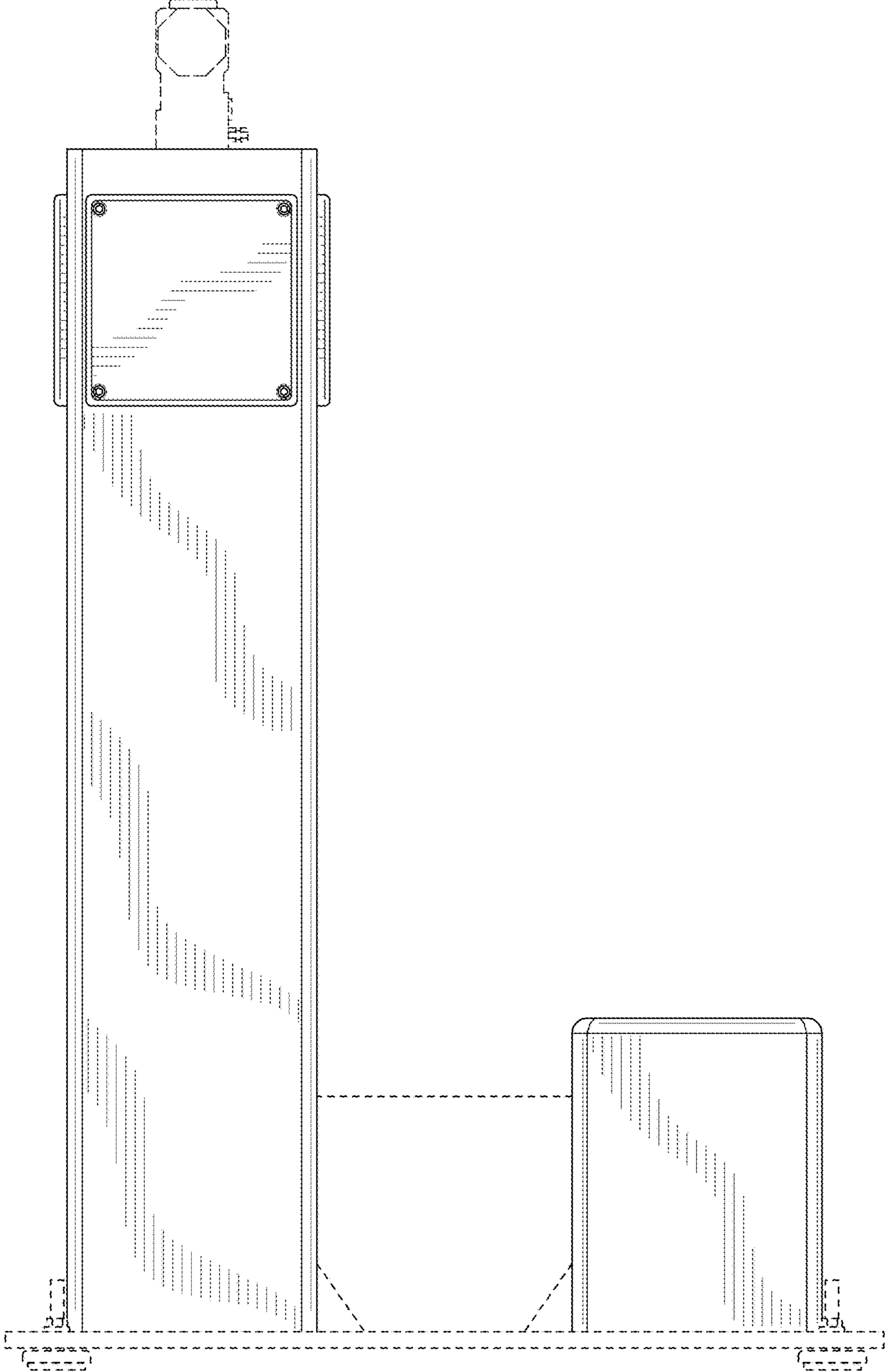


FIG. 3

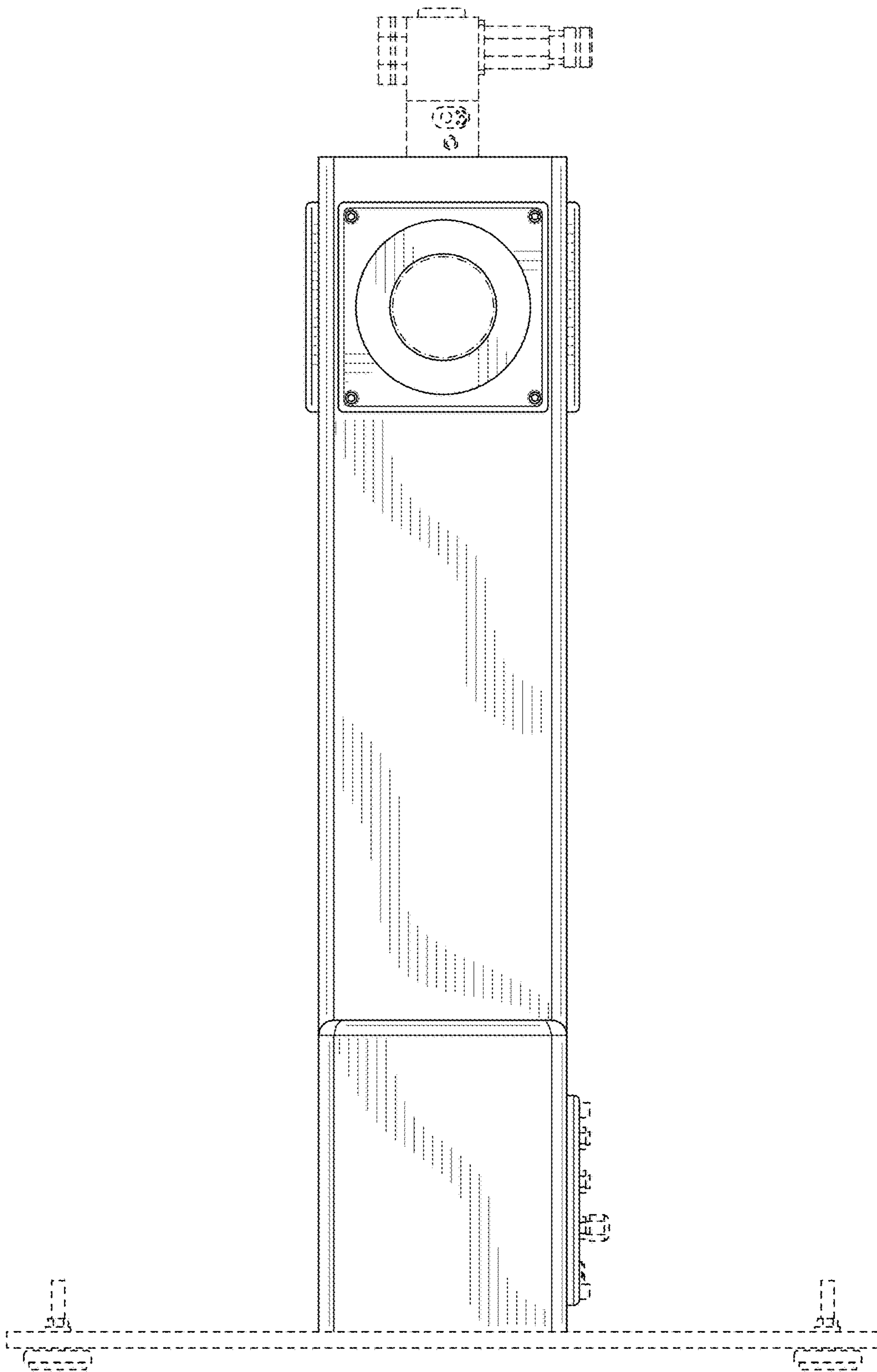


FIG. 4

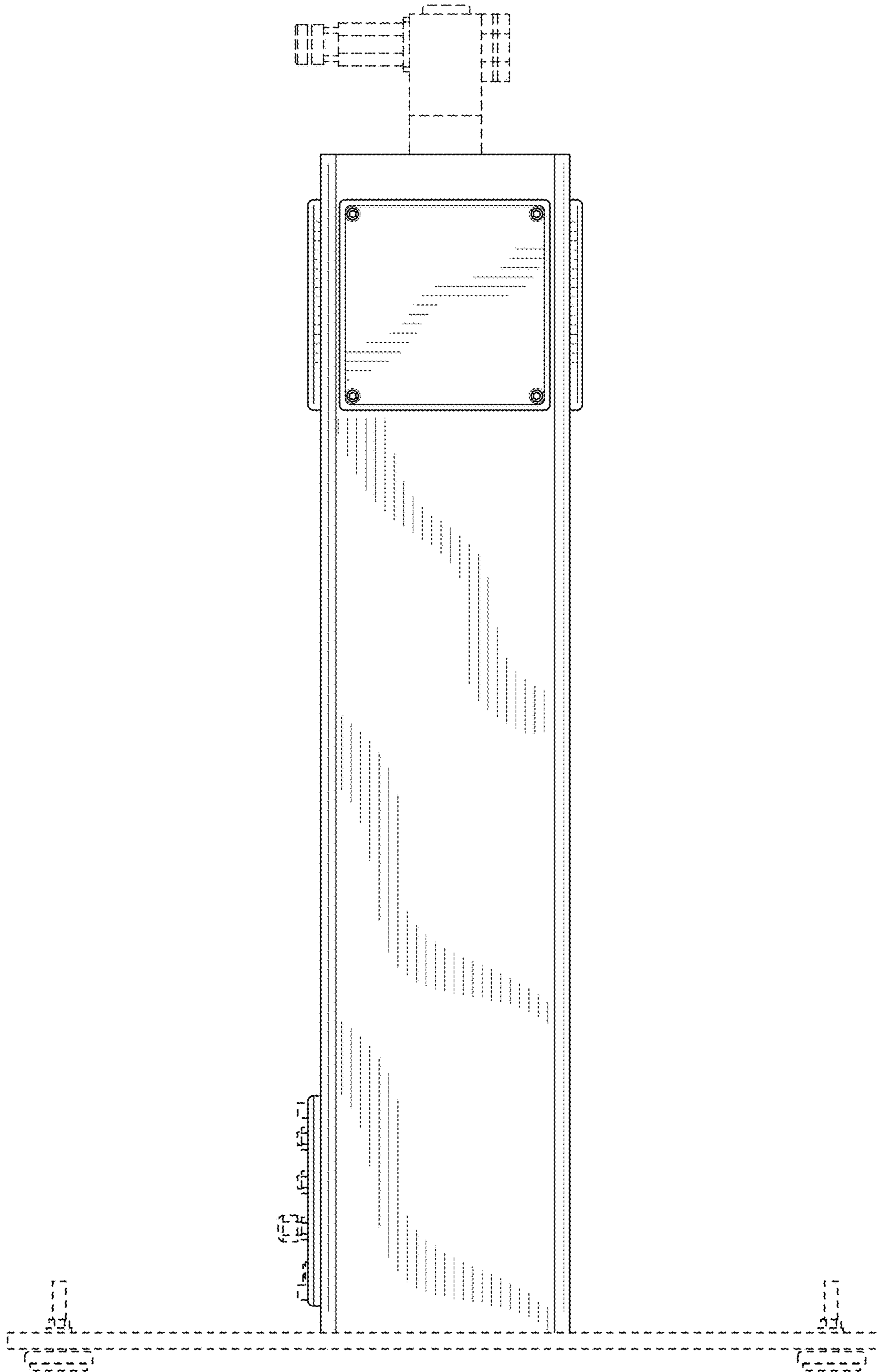


FIG. 5

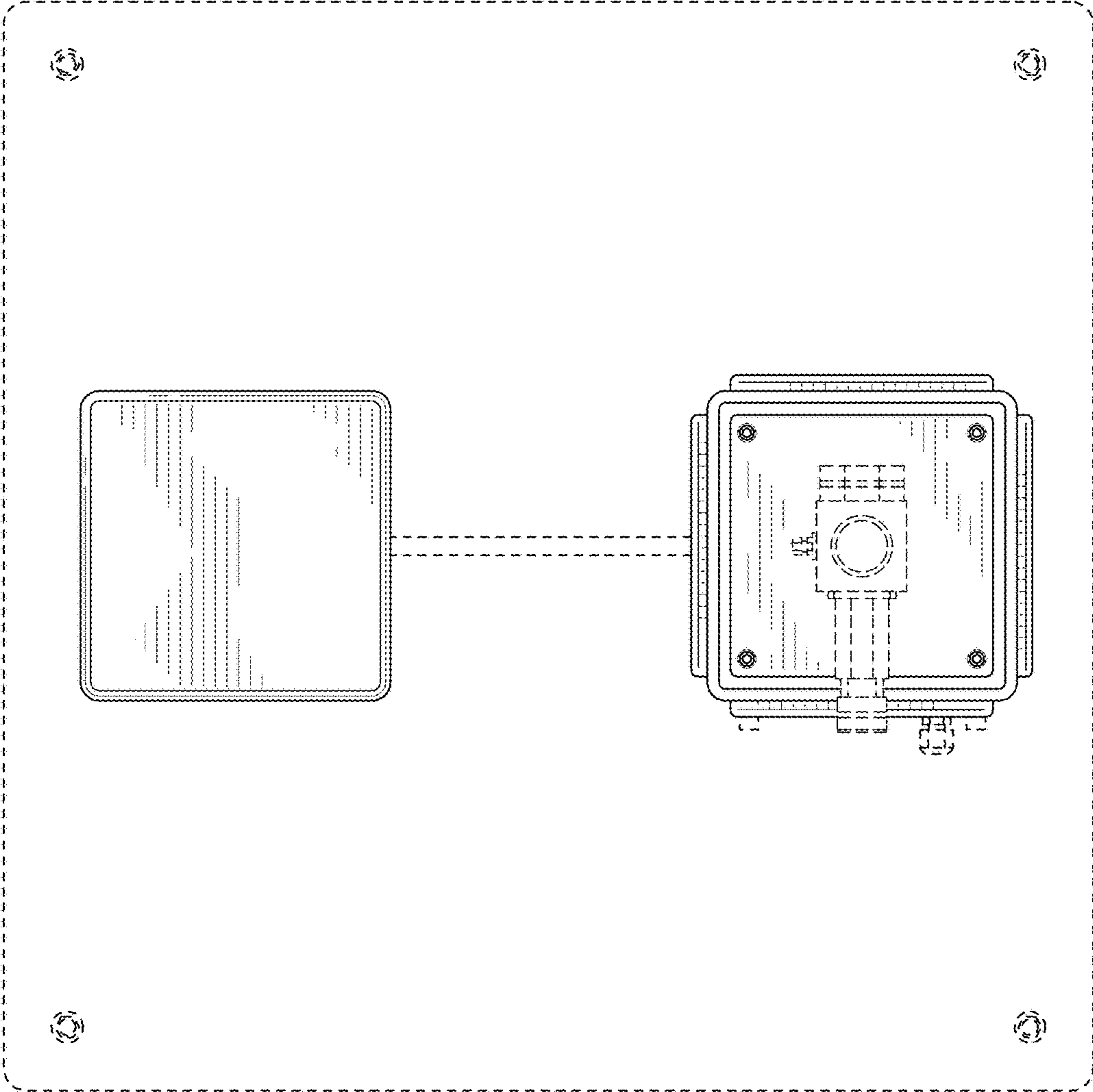


FIG. 6

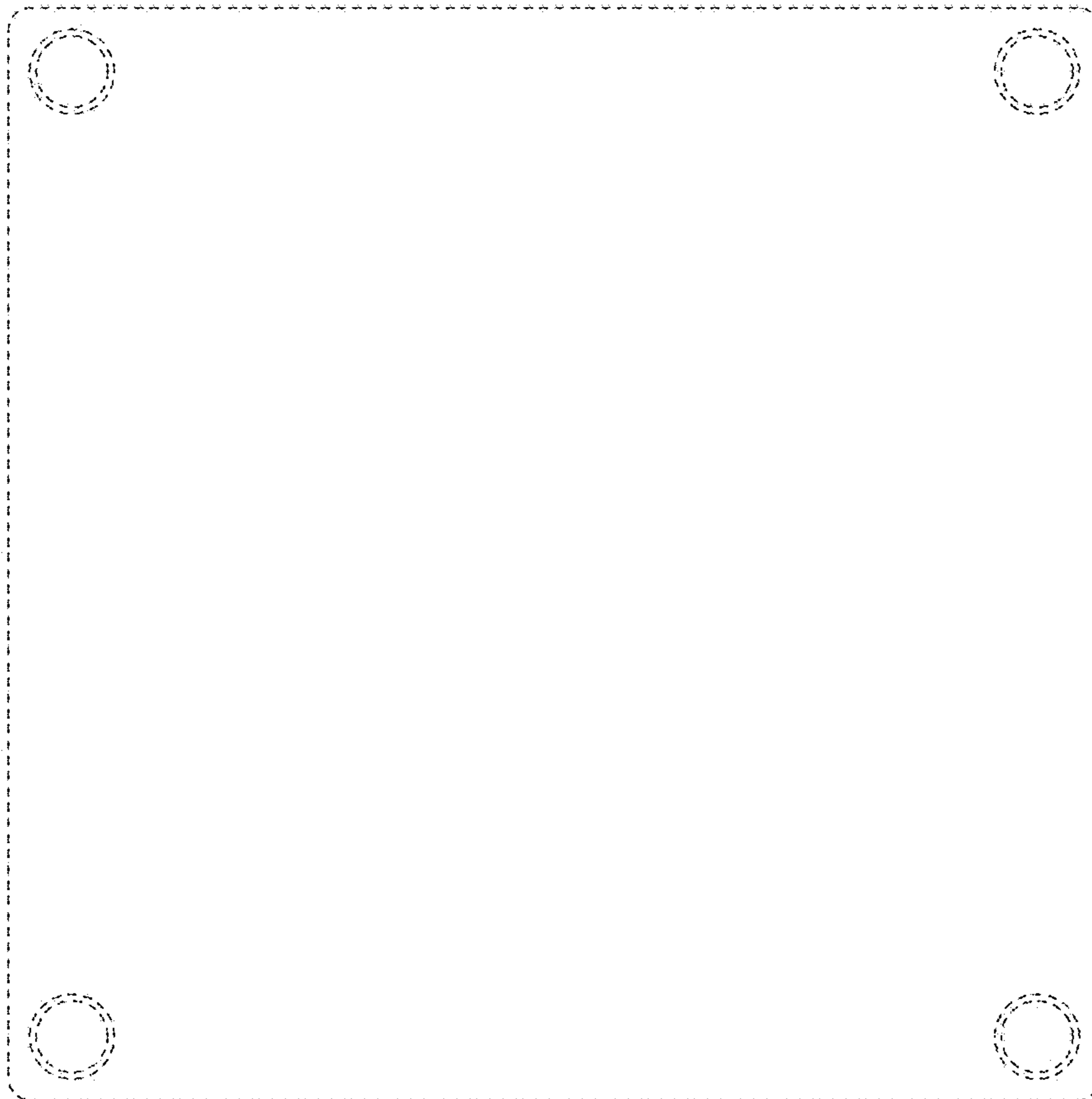


FIG. 7