



US00D796973S

(12) **United States Design Patent** (10) **Patent No.:** **US D796,973 S**
Wojciechowski (45) **Date of Patent:** **** Sep. 12, 2017**

- (54) **TORPEDO LEVEL**
- (71) Applicant: **Diamond Tech LLC**, Carson City, NV (US)
- (72) Inventor: **Timothy J. Wojciechowski**, Hubertus, WI (US)
- (73) Assignee: **DIAMOND TECH LLC**, Carson City, NV (US)
- (**) Term: **15 Years**
- (21) Appl. No.: **29/559,121**
- (22) Filed: **Mar. 24, 2016**
- (51) **LOC (10) Cl.** **10-04**
- (52) **U.S. Cl.**
USPC **D10/69**
- (58) **Field of Classification Search**
USPC D10/69
CPC ... G01C 9/24; G01C 9/26; G01C 9/28; G01C 9/30; G01C 9/32; G01C 9/34; G01C 9/36
See application file for complete search history.

6,568,095	B2	5/2003	Snyder	
D507,194	S	7/2005	Budrow et al.	
D513,198	S	12/2005	Levinson	
D519,863	S	5/2006	Kim	
D521,882	S	5/2006	Kim	
7,086,166	B2	8/2006	Helda et al.	
7,152,335	B2	12/2006	Nichols	
D582,302	S	12/2008	Johnson et al.	
D625,630	S	10/2010	Levinson	
D628,914	S	12/2010	Kim et al.	
7,946,045	B2	5/2011	Allemand	
8,061,051	B2	11/2011	Allemand	
D694,659	S	12/2013	Yong et al.	
D723,956	S *	3/2015	Johnson	D10/69
D729,645	S	5/2015	Wojciechowski et al.	
D777,589	S *	1/2017	Wojciechowski	D10/69
2005/0252016	A1	11/2005	Helda et al.	
2008/0282562	A1	11/2008	Allemand	

* cited by examiner

Primary Examiner — Antoine D Davis

(74) *Attorney, Agent, or Firm* — Boyle Fredrickson, S.C.

(57) **CLAIM**

The ornamental design of a torpedo level, as shown and described.

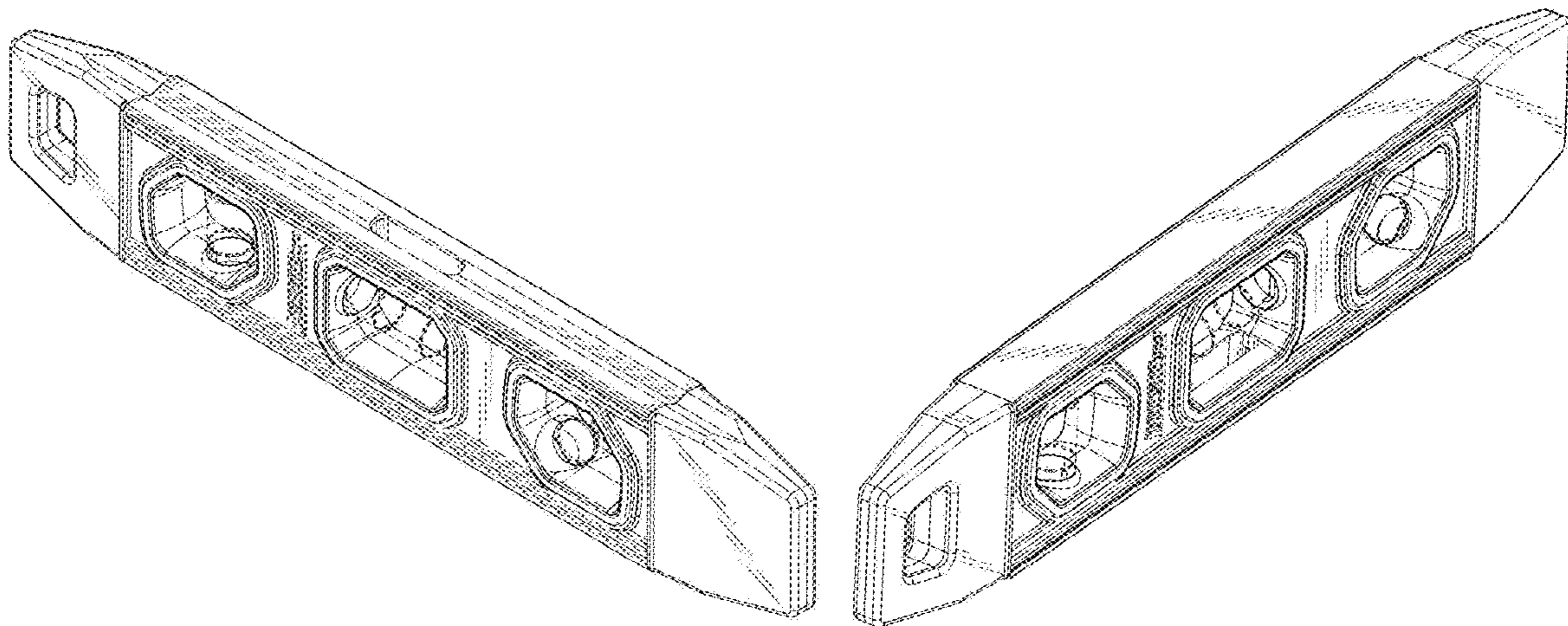
DESCRIPTION

FIG. 1 is a top isometric view of a torpedo level incorporating my new design, wherein the portions in phantom form no part of the claimed design;
 FIG. 2 is a bottom isometric view thereof;
 FIG. 3 is a top plan view thereof;
 FIG. 4 is a bottom plan view thereof;
 FIG. 5 is a left side elevation view thereof;
 FIG. 6 is a right side elevation view thereof;
 FIG. 7 is a first end elevation view thereof; and,
 FIG. 8 is a second end elevation view thereof.

1 Claim, 5 Drawing Sheets

(56) **References Cited**
U.S. PATENT DOCUMENTS

D224,663	S	8/1972	de Jong
D280,185	S	8/1985	Wright
4,593,475	A	6/1986	Mayes
4,829,676	A	5/1989	Waldron
D301,553	S	6/1989	Makofsky et al.
4,876,798	A	10/1989	Zimmerman
D320,360	S	10/1991	Kennedy
D332,226	S	1/1993	Hutchins et al.
D355,134	S	2/1995	Kennedy
D412,857	S	8/1999	Howard et al.
D415,436	S	10/1999	Martone
D469,370	S	1/2003	Gruetzmacher et al.
D472,168	S	3/2003	Levinson



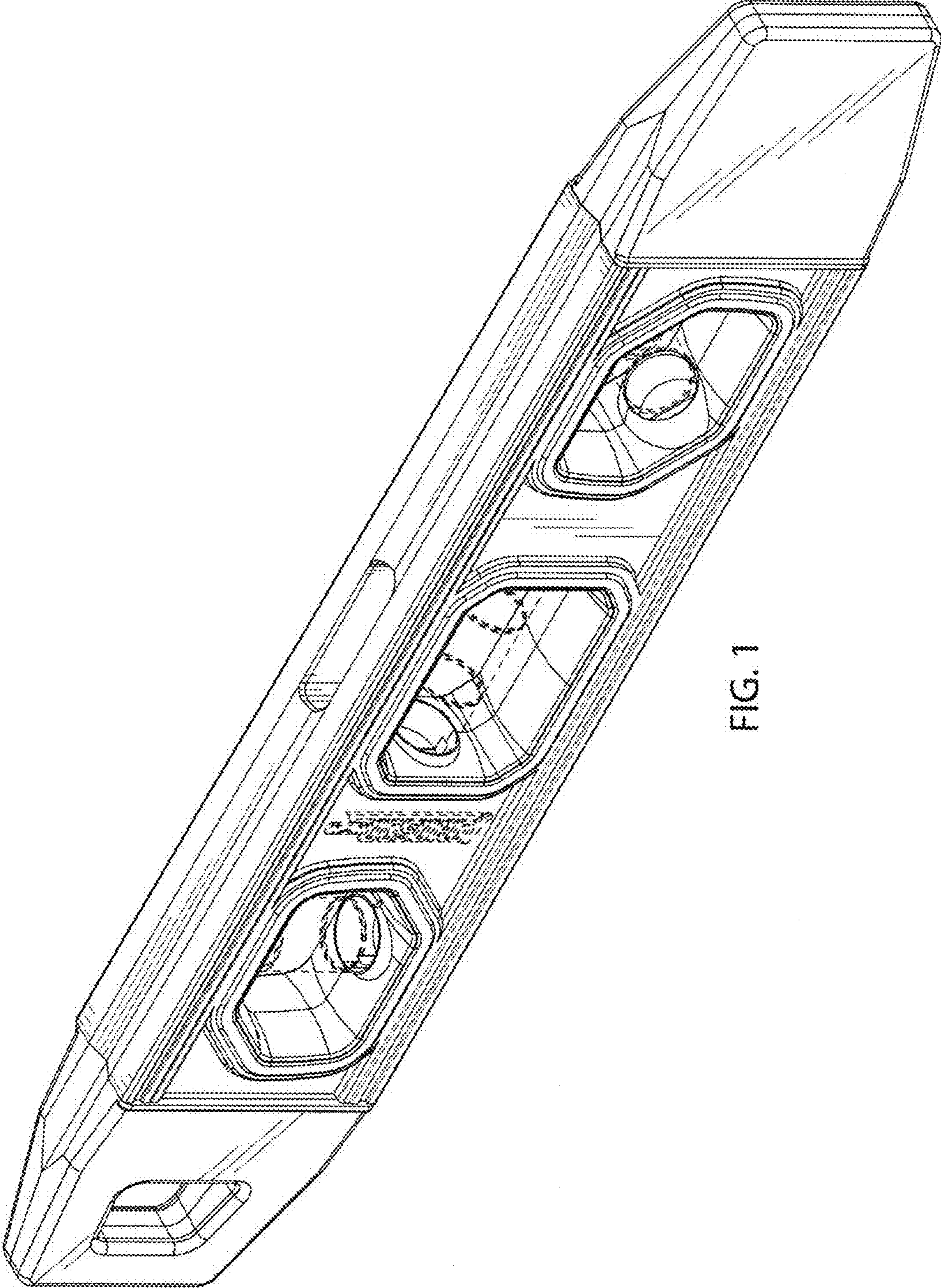


FIG. 1

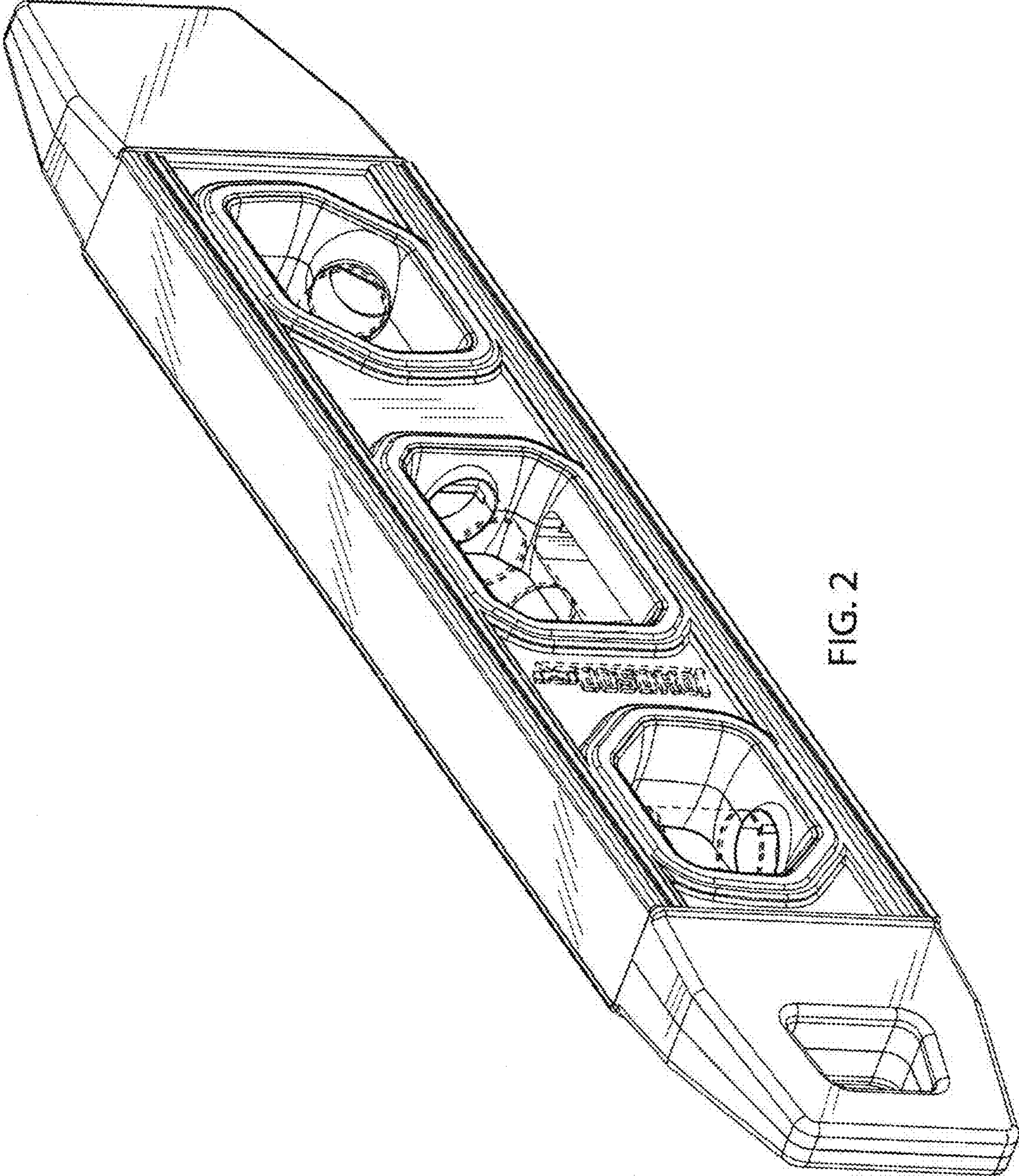


FIG. 2

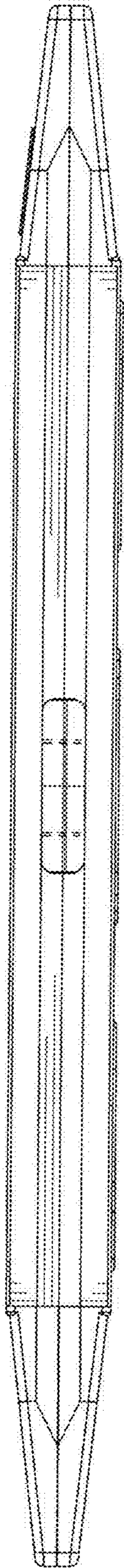


FIG. 3

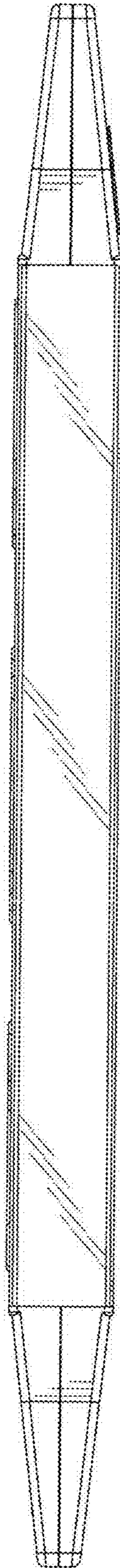


FIG. 4

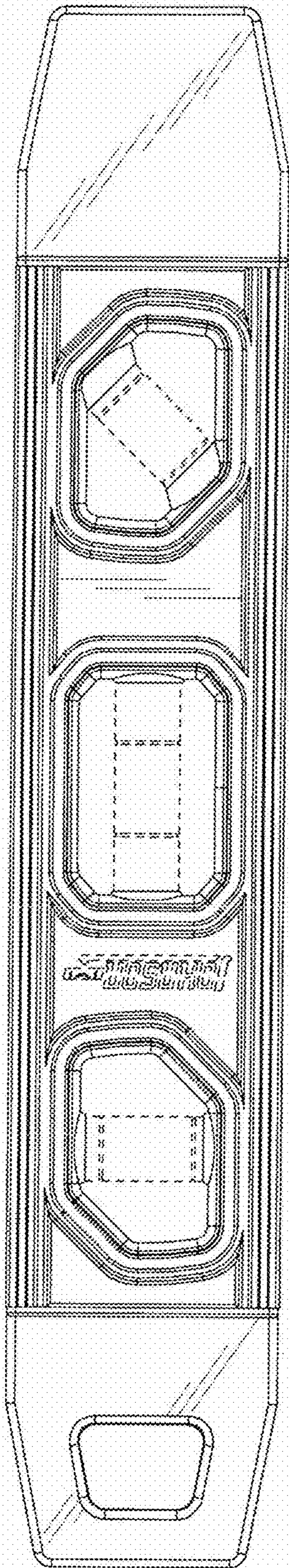


FIG. 5

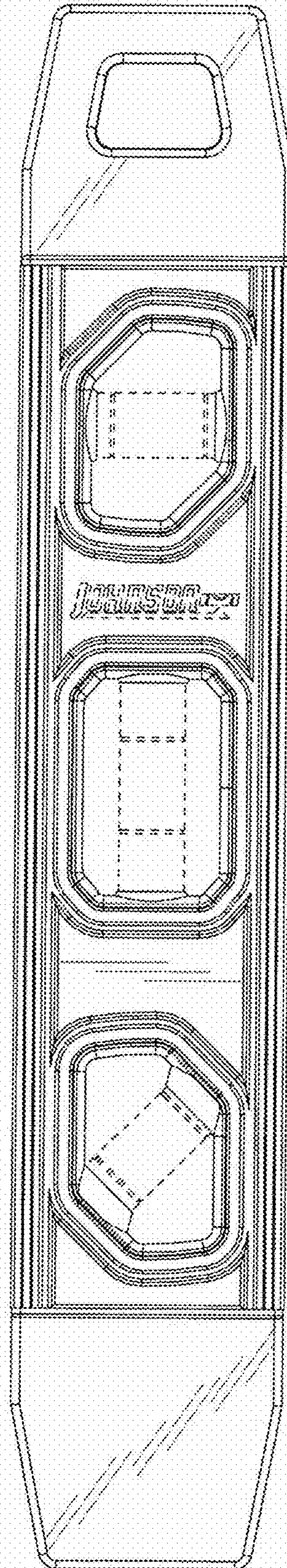


FIG. 6

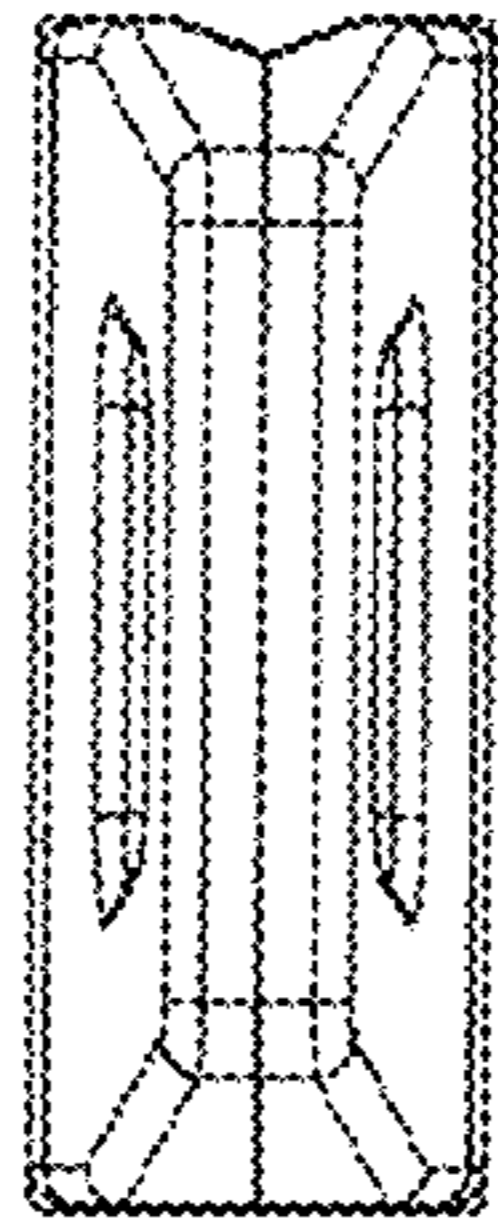


FIG. 7

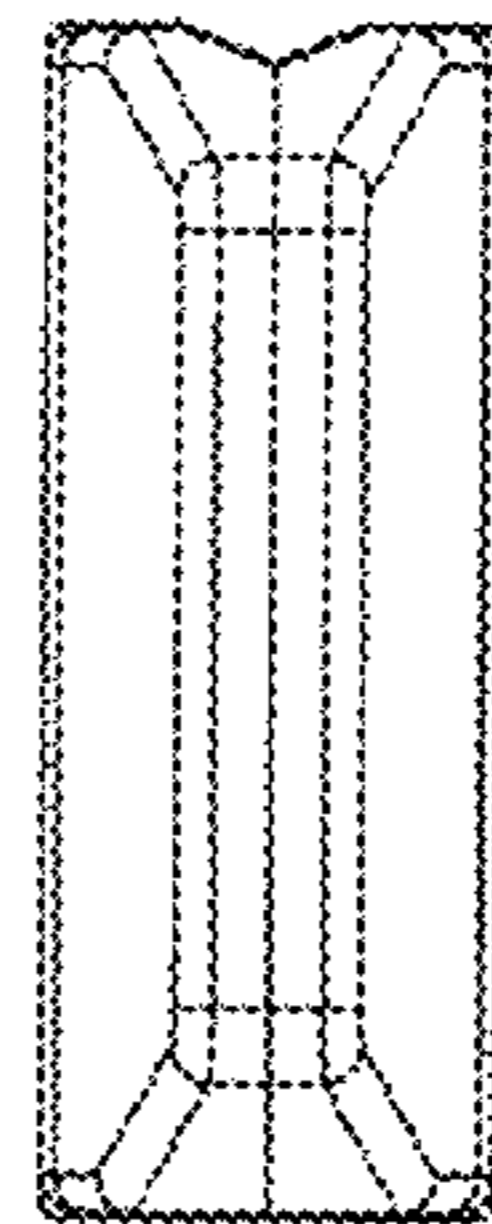


FIG. 8