



US00D796972S

(12) **United States Design Patent** (10) **Patent No.:** **US D796,972 S**
Ulmer et al. (45) **Date of Patent:** **** Sep. 12, 2017**

(54) **MICRO WEATHER SENSOR**

(71) Applicant: **Physical Optics Corporation**,
Torrance, CA (US)

(72) Inventors: **Christopher Thad Ulmer**, San Pedro,
CA (US); **David Harold Miller**, San
Pedro, CA (US); **Jeffrey Ryan Norell**,
Los Angeles, CA (US); **Kojiro**
Minakata, Irvine, CA (US)

(73) Assignee: **PHYSICAL OPTICS**
CORPORATION, Torrance, CA (US)

(**) Term: **15 Years**

(21) Appl. No.: **29/555,148**

(22) Filed: **Feb. 18, 2016**

(51) **LOC (10) Cl.** **10-04**

(52) **U.S. Cl.**
USPC **D10/53**

(58) **Field of Classification Search**
USPC D10/52-58
CPC G01S 5/0009; G01S 5/0018; G01S 5/0036;
G01W 1/02; G01W 1/04; G01W 1/06;
G01W 1/10; G01W 1/11; G01W 1/12;
G01W 1/14; G01W 1/16; G01W 1/17;
G01W 1/18; G01W 2001/006; G01W
2201/00; G01W 2203/00

See application file for complete search history.

(56) **References Cited**

U.S. PATENT DOCUMENTS

D734,182 S * 7/2015 Ulmer D10/53
2012/0272726 A1* 11/2012 Cullen G01W 1/14
73/170.21
2014/0097273 A1* 4/2014 Helms B05B 12/02
239/337

* cited by examiner

Primary Examiner — Antoine D Davis
(74) *Attorney, Agent, or Firm* — Sheppard, Mullin,
Richter & Hampton LLP; Daniel Yannuzzi

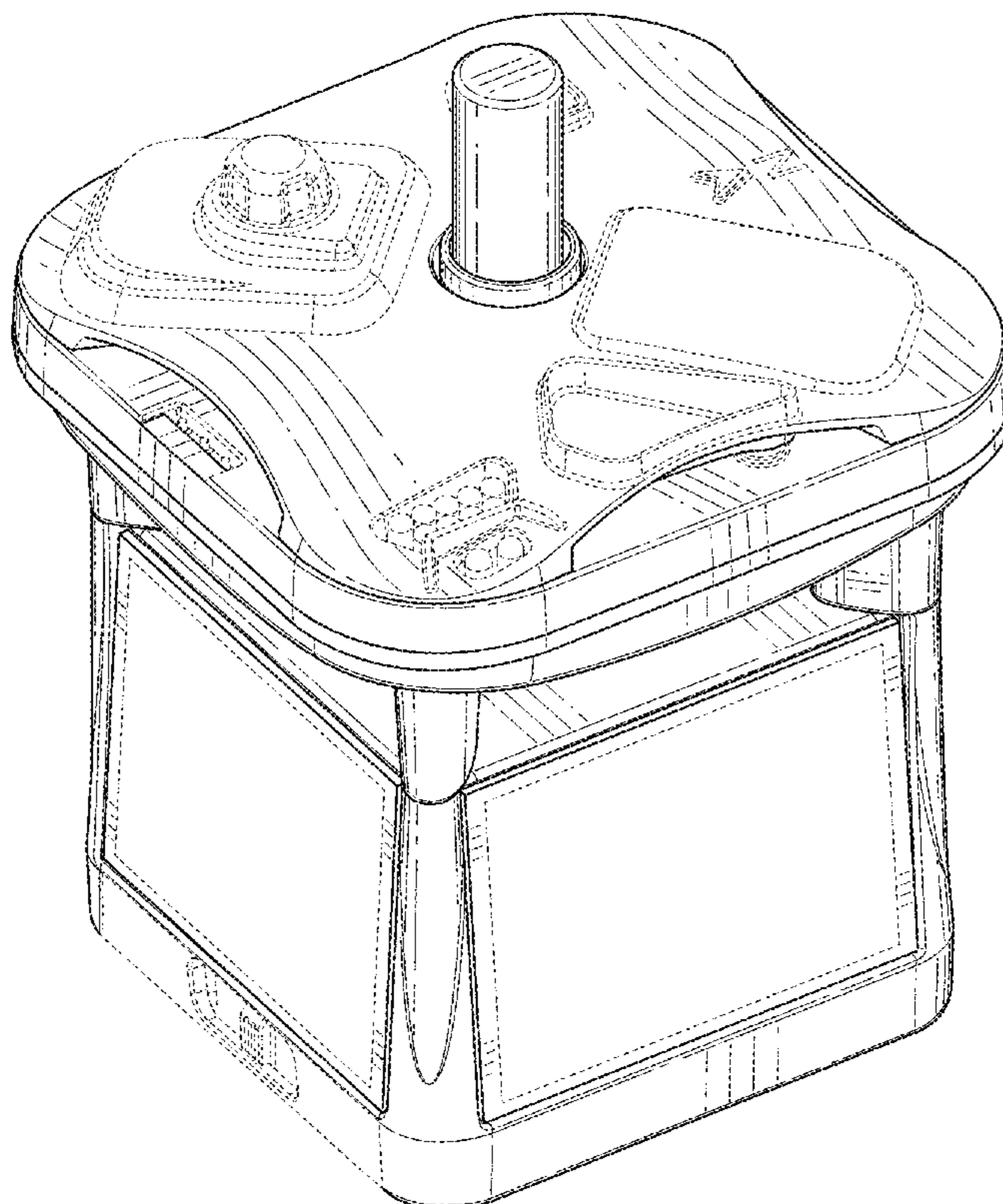
(57) **CLAIM**

We claim the ornamental design for a micro weather sensor,
as shown and described.

DESCRIPTION

FIG. 1 is a top, front and left side perspective view of an
ornamental design for a micro weather sensor;
FIG. 2 is a front elevational view thereof;
FIG. 3 is a back elevational view thereof;
FIG. 4 is a left elevational view thereof;
FIG. 5 is a right elevational view thereof;
FIG. 6 is a top plan view thereof; and,
FIG. 7 is a bottom plan view thereof.
The broken lines illustrate portions of the micro weather
sensor that form no part of the claimed design.

1 Claim, 7 Drawing Sheets



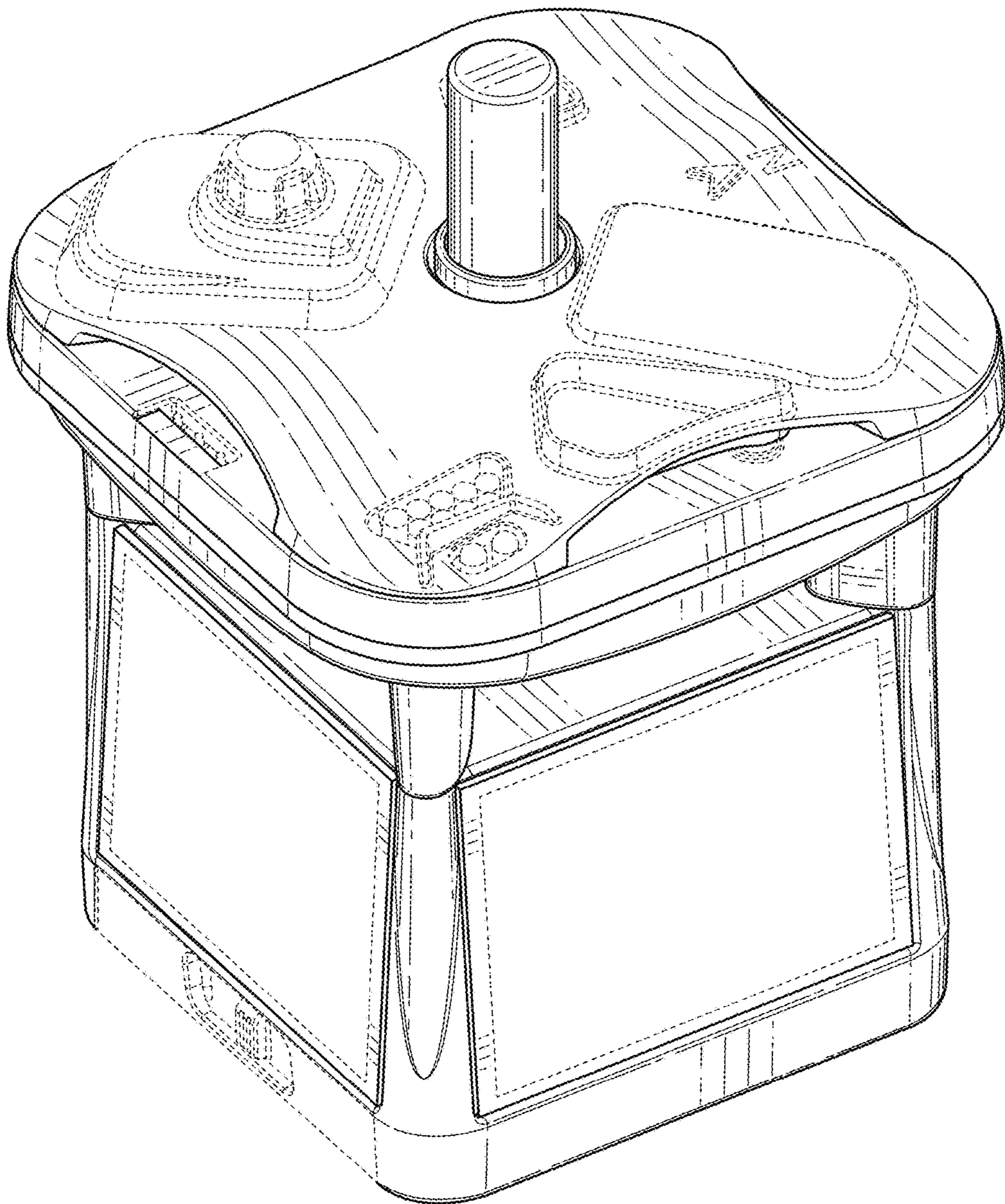


FIG. 1

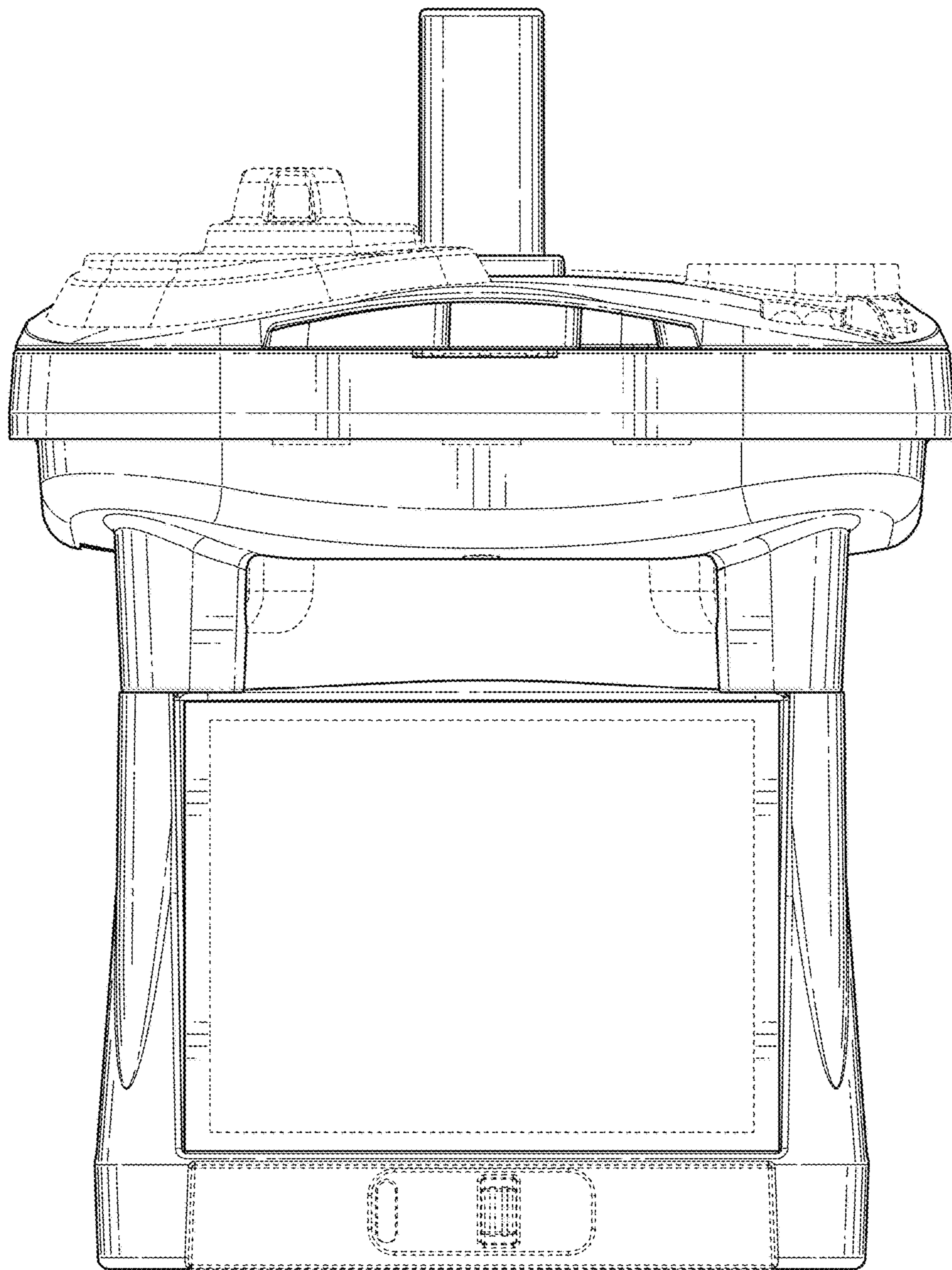


FIG. 2

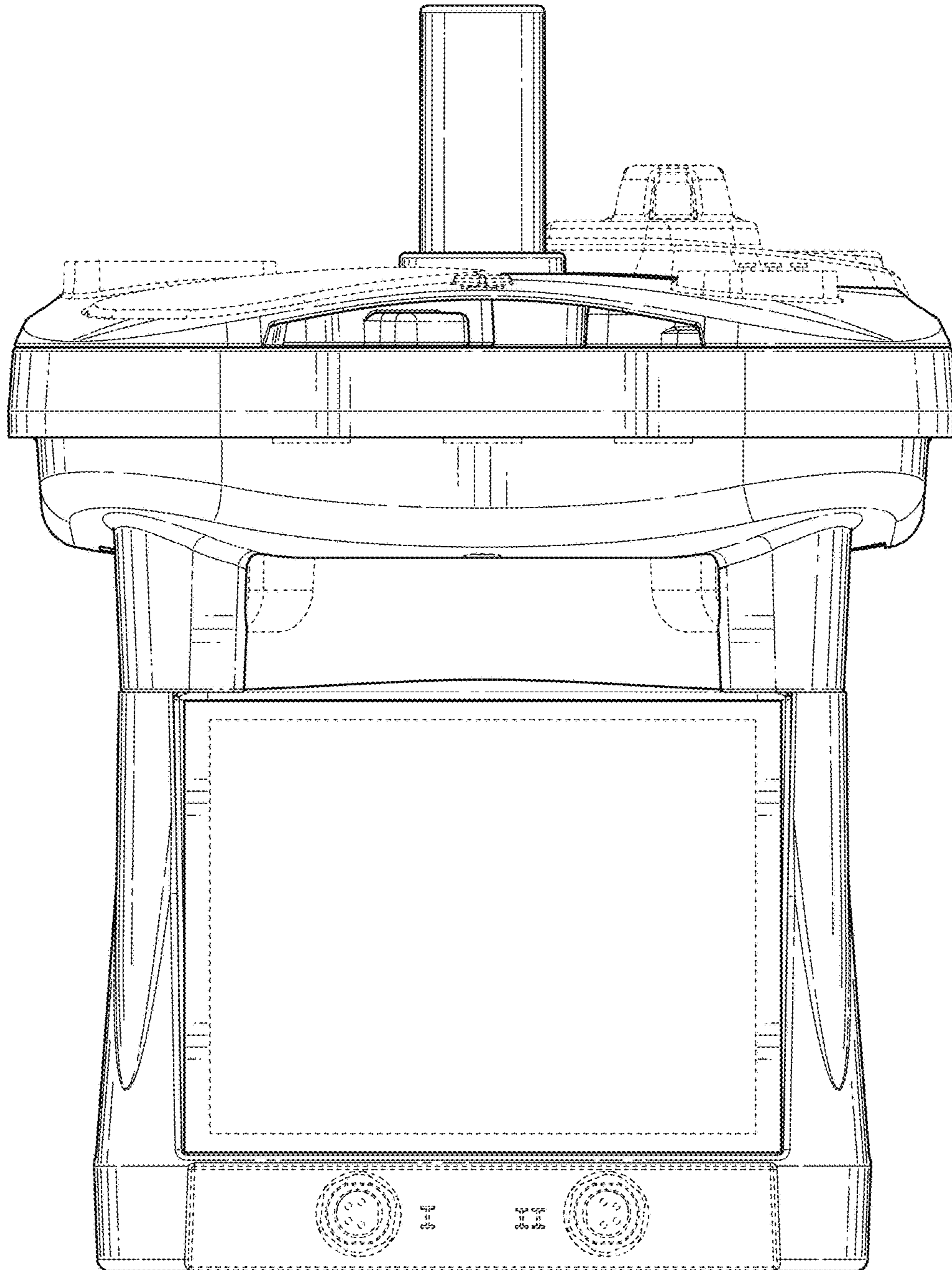


FIG. 3

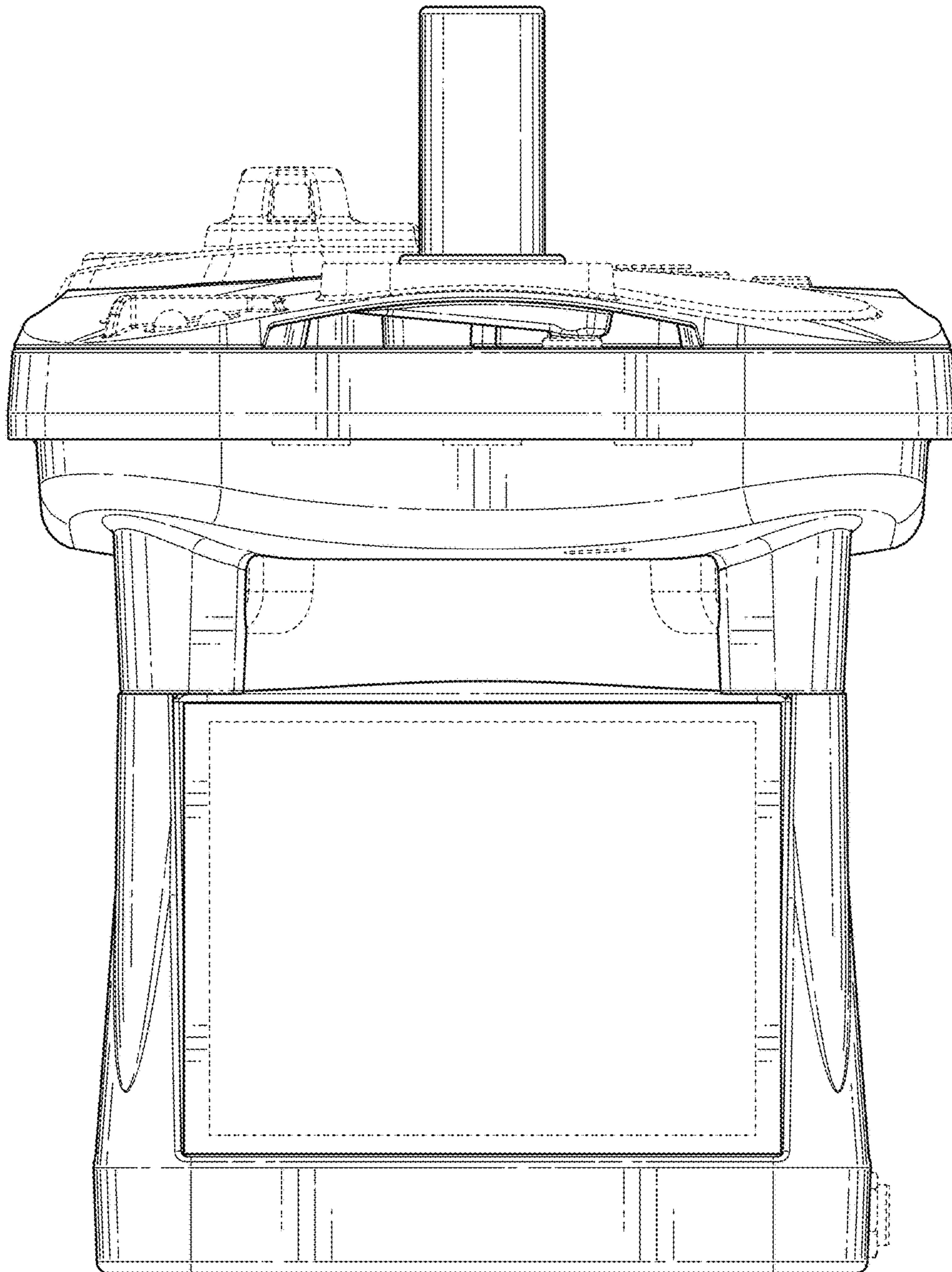


FIG. 4

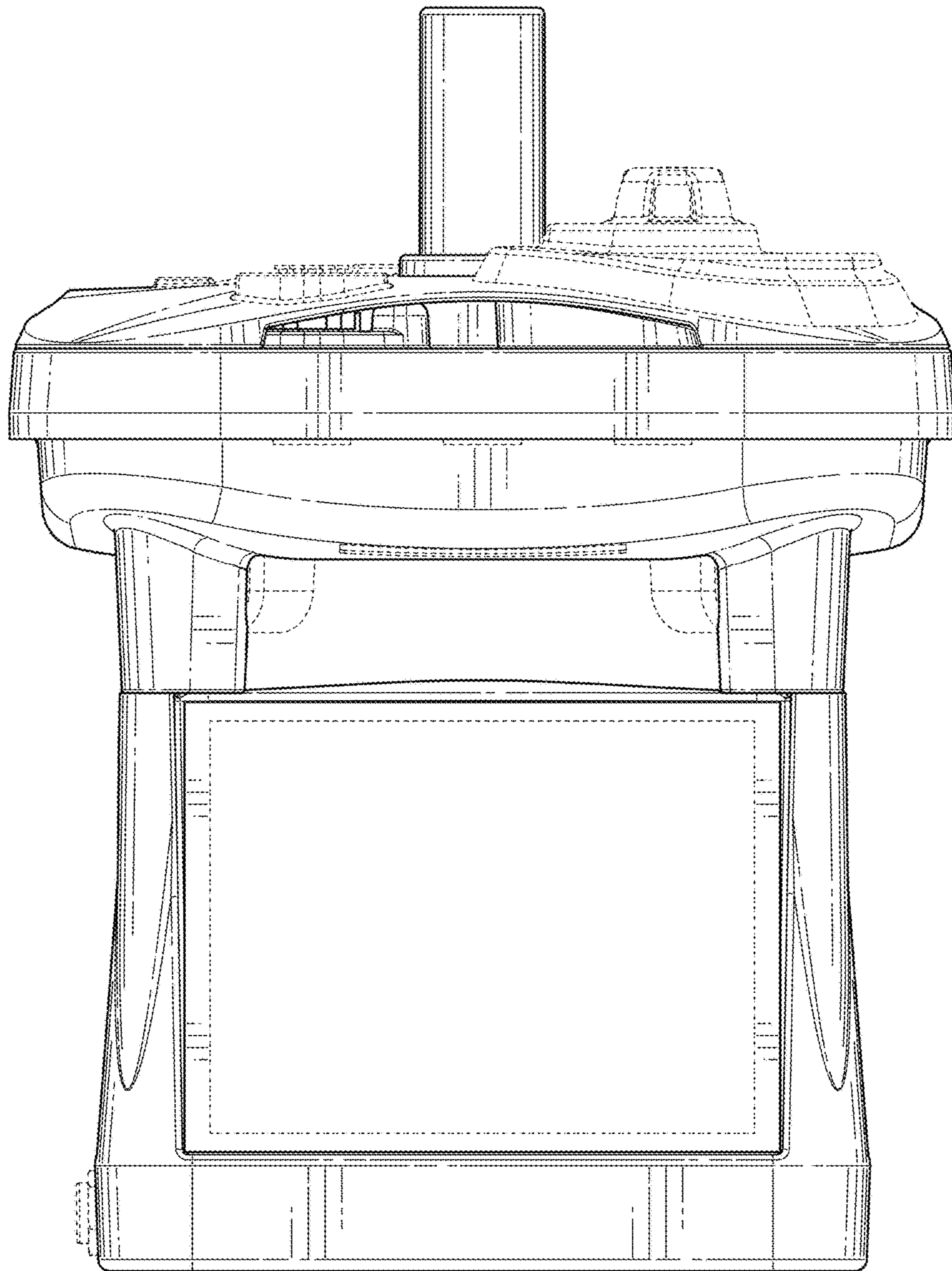


FIG. 5

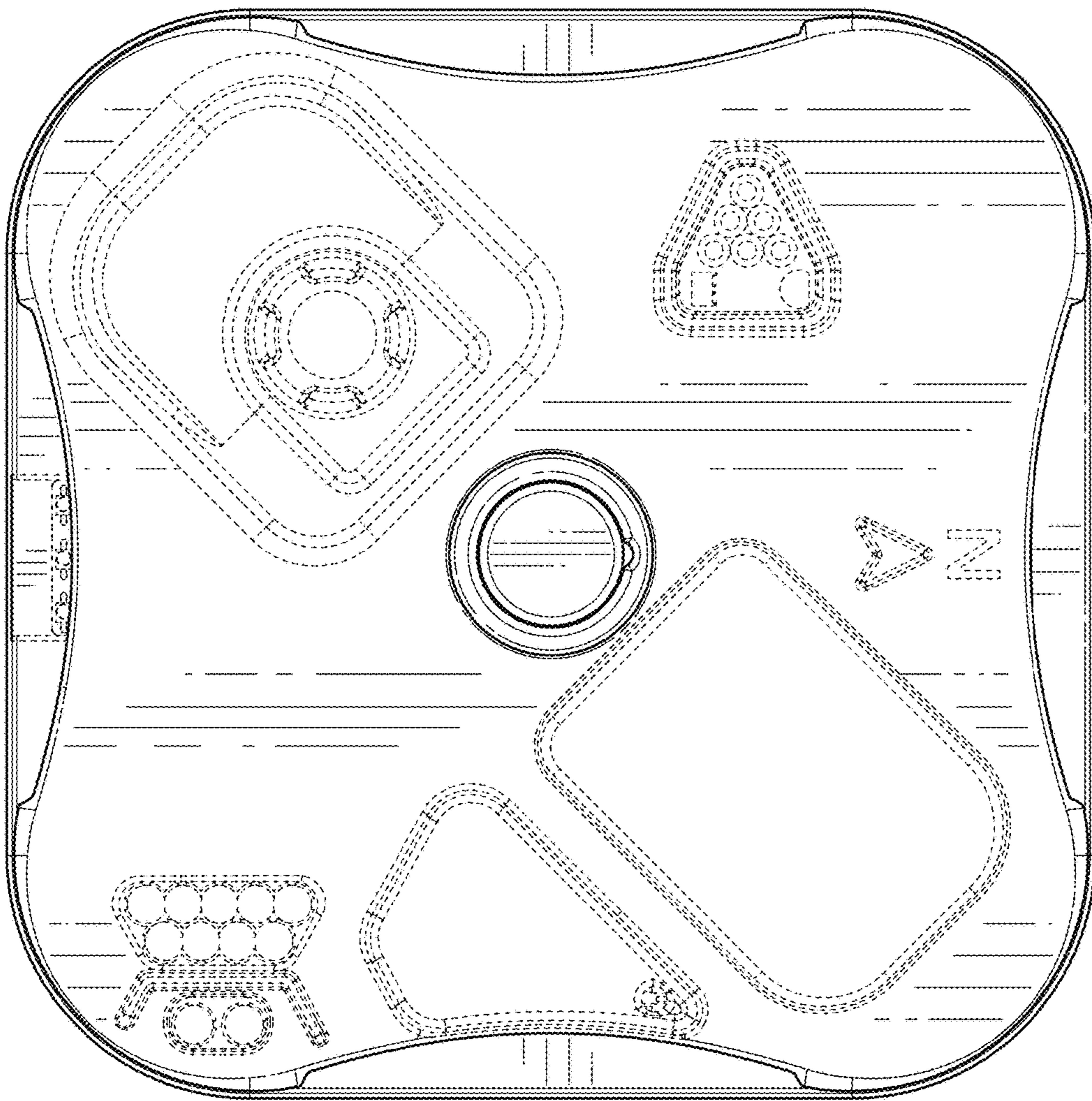


FIG. 6

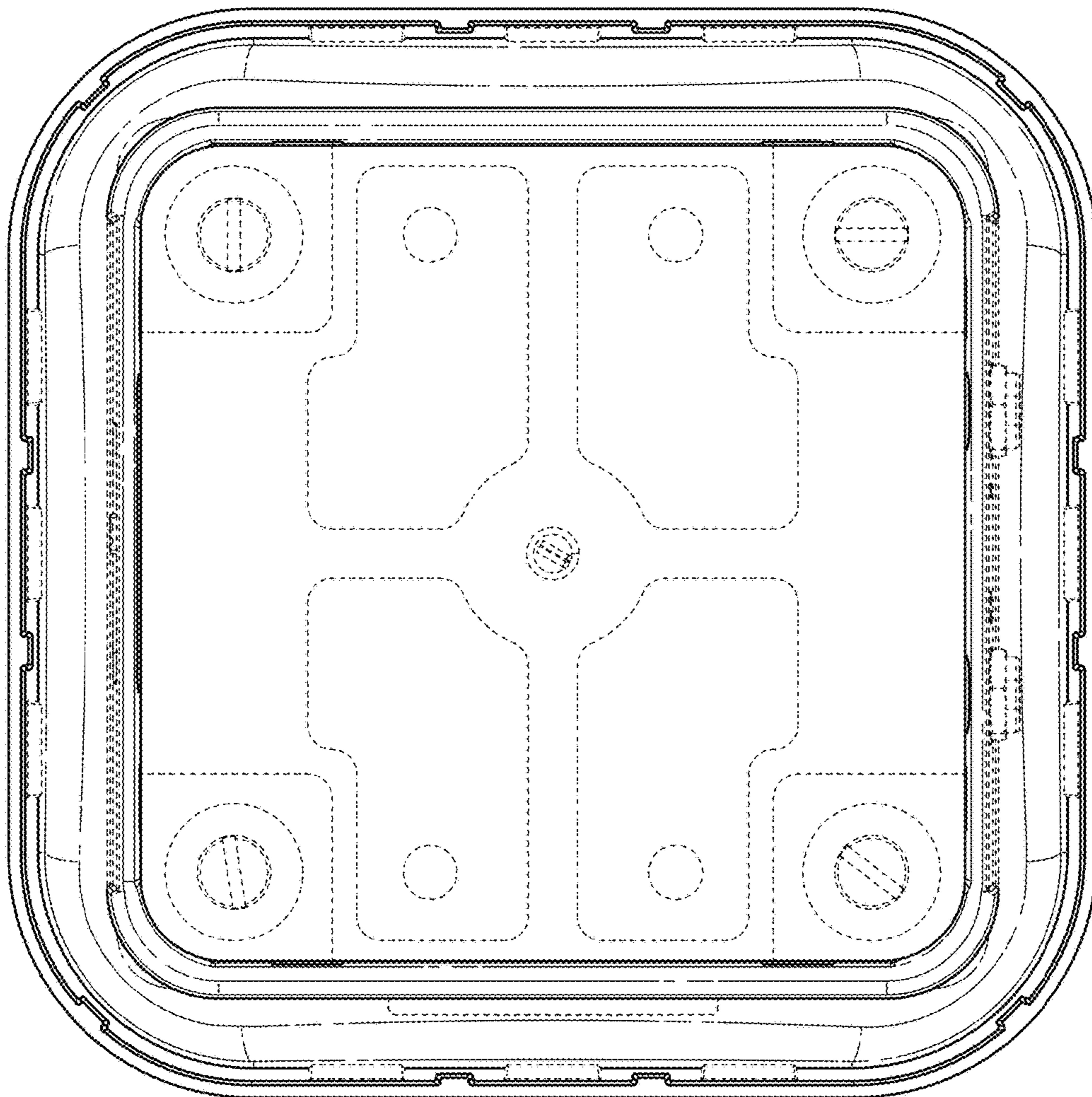


FIG. 7