



US00D796971S

(12) **United States Design Patent**
Dubos et al.

(10) **Patent No.: US D796,971 S**
(45) **Date of Patent: ** Sep. 12, 2017**

(54) **METAL DETECTOR**

(71) Applicant: **SARL XPLOERER**, Mervilla (FR)

(72) Inventors: **Loic Dubos**, Toulouse (FR); **David Pattyn**, Toulouse (FR)

(73) Assignee: **SARL XPLOERER**, Mervilla (FR)

(**) Term: **15 Years**

(21) Appl. No.: **29/566,896**

(22) Filed: **Jun. 3, 2016**

(30) **Foreign Application Priority Data**

Dec. 4, 2015 (EM) 002890384-0001

(51) **LOC (10) Cl.** **10-04**

(52) **U.S. Cl.**
USPC **D10/47**

(58) **Field of Classification Search**
USPC D10/47
CPC ... G01V 3/00; G01V 3/02; G01V 3/04; G01V 3/06; G01V 3/08; G01V 3/081; G01V 3/082; G01V 3/083; G01V 2003/084; G01V 2003/085; G01V 2003/086; G01V 3/087; G01V 3/088; G01V 3/10; G01V 3/101; G01V 3/102; G01V 3/104; G01V 3/105

See application file for complete search history.

(56) **References Cited**

U.S. PATENT DOCUMENTS

D497,559 S * 10/2004 Johnson D10/47
D513,706 S * 1/2006 Johnson D10/47

D583,261 S * 12/2008 Johnson D10/47
7,575,065 B1 * 8/2009 Podhrasky G01V 3/15
172/371
9,347,798 B1 * 5/2016 Johnson H04R 1/028
2012/0182016 A1 * 7/2012 Ahler G01V 3/15
324/348
2012/0194376 A1 * 8/2012 Daly G01S 13/887
342/22
2015/0035525 A1 * 2/2015 Manneschi G01V 3/15
324/244
2015/0340214 A1 * 11/2015 Wu H01J 49/049
250/282

* cited by examiner

Primary Examiner — Antoine D Davis

(74) *Attorney, Agent, or Firm* — Young & Thompson

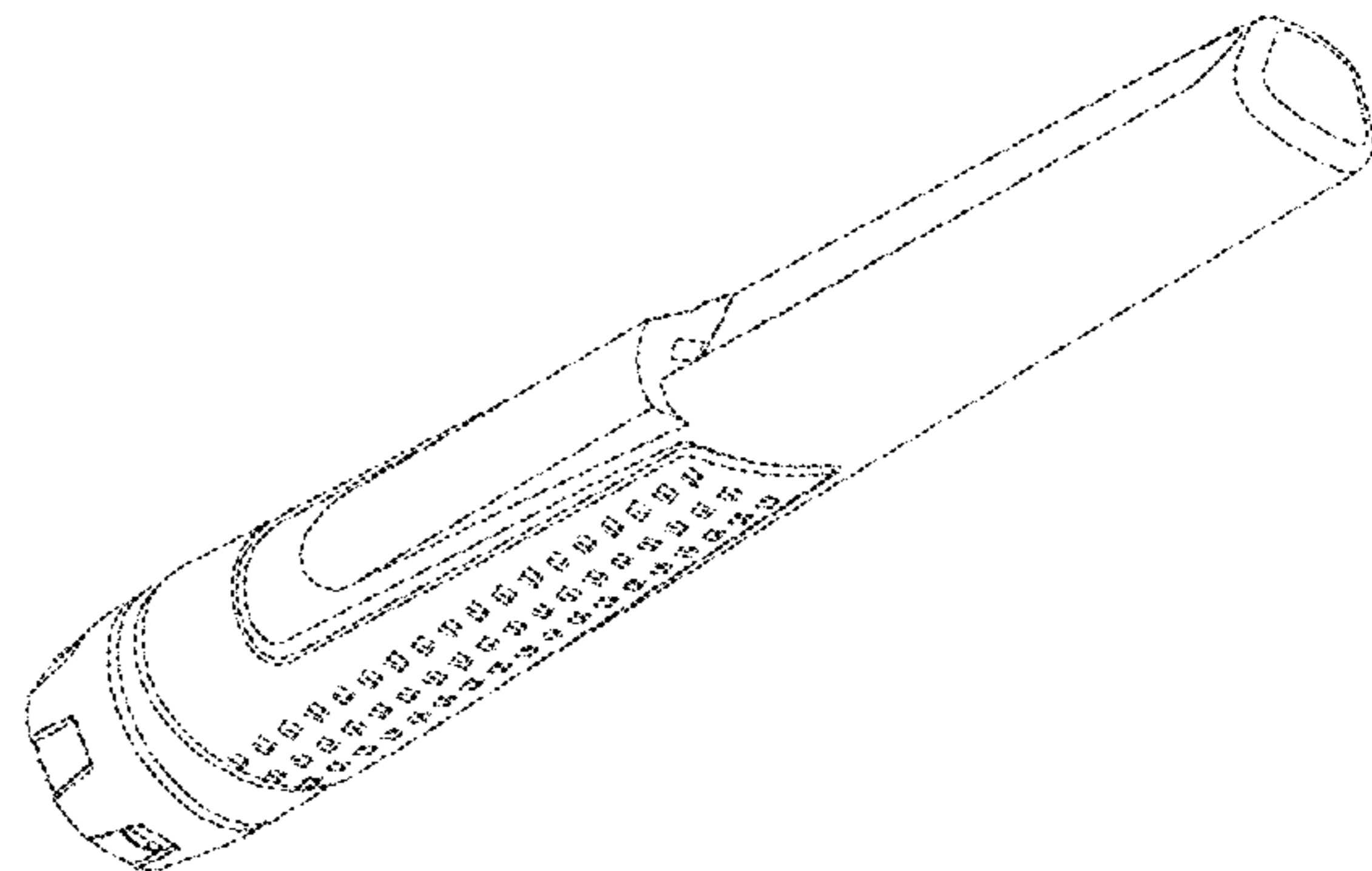
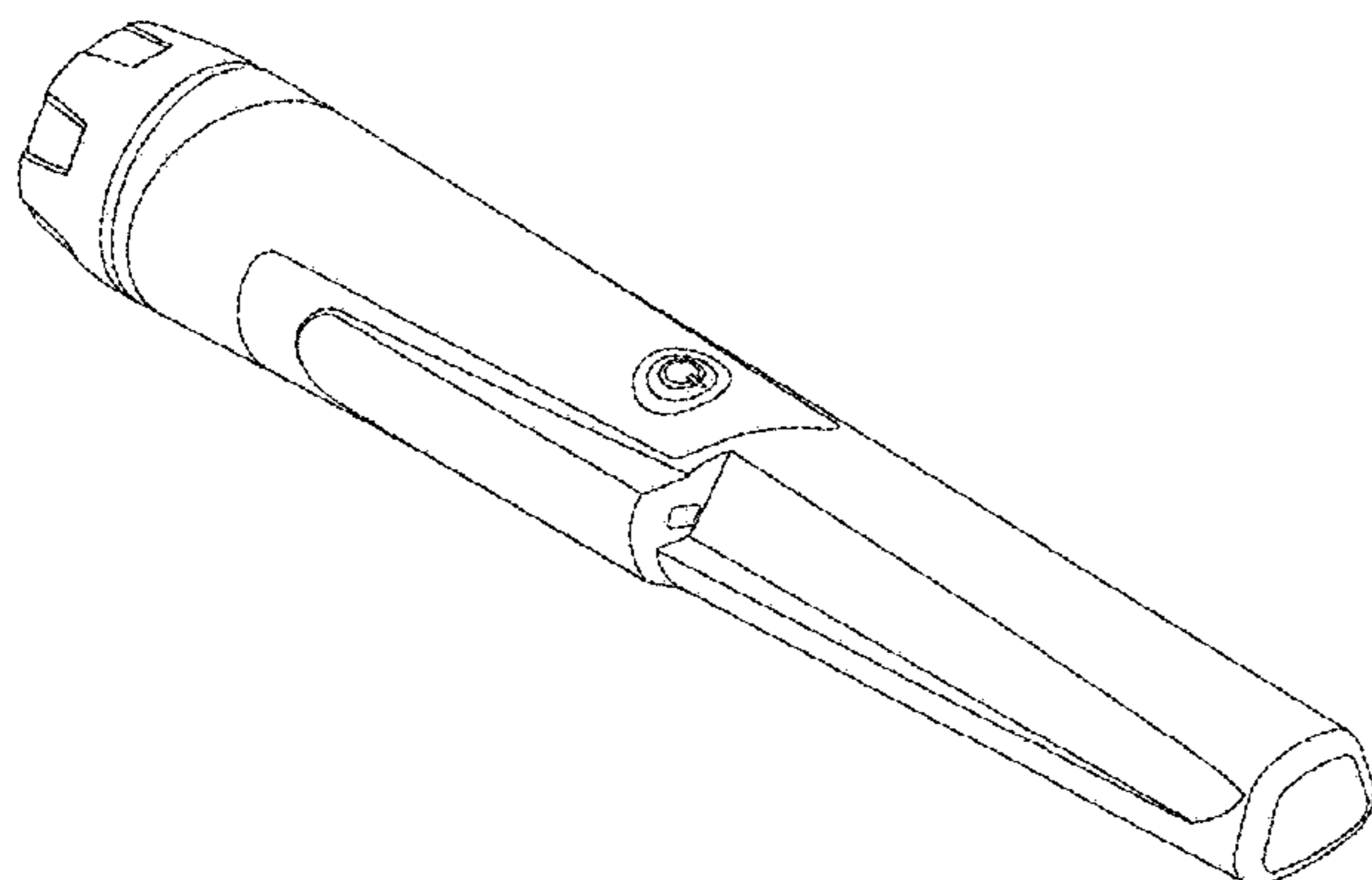
(57) **CLAIM**

The ornamental design for a metal detector, as shown and described.

DESCRIPTION

FIG. 1 is a right side elevation view of a metal detector showing the new design;
FIG. 2 is a top plan view thereof;
FIG. 3 is a bottom plan view thereof;
FIG. 4 is a right side, top, and front perspective view thereof;
FIG. 5 is a right side, top, and rear perspective view thereof;
FIG. 6 is a rear elevation view thereof;
FIG. 7 is a front elevation view thereof;
FIG. 8 is a left side, bottom, and rear perspective view thereof; and,
FIG. 9 is a left side, bottom, and front perspective view thereof.

1 Claim, 9 Drawing Sheets



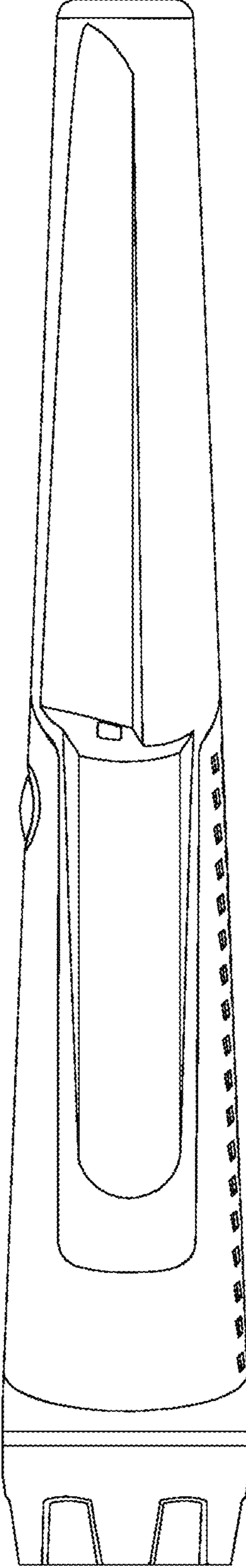


Fig. 1

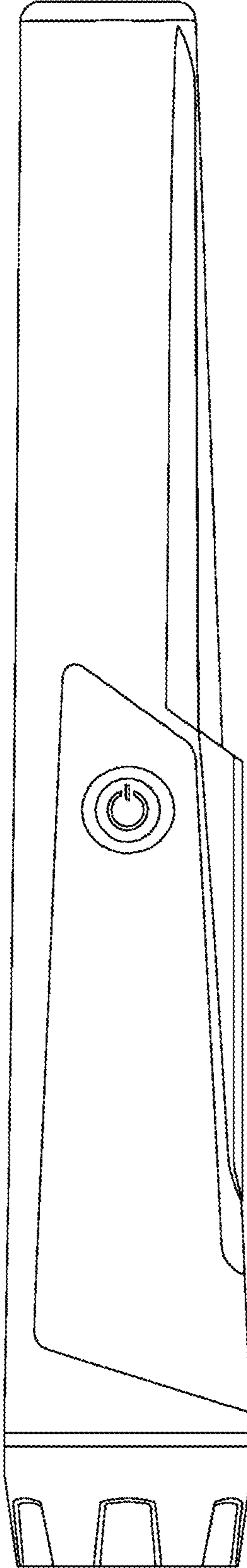


Fig. 2

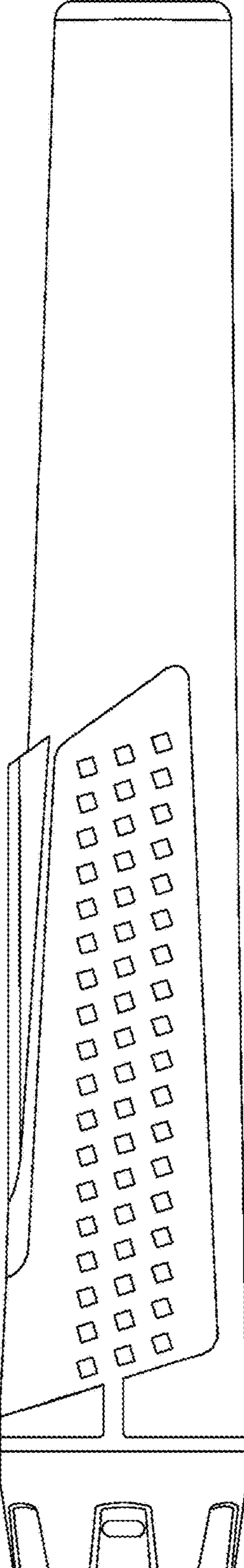


Fig. 3

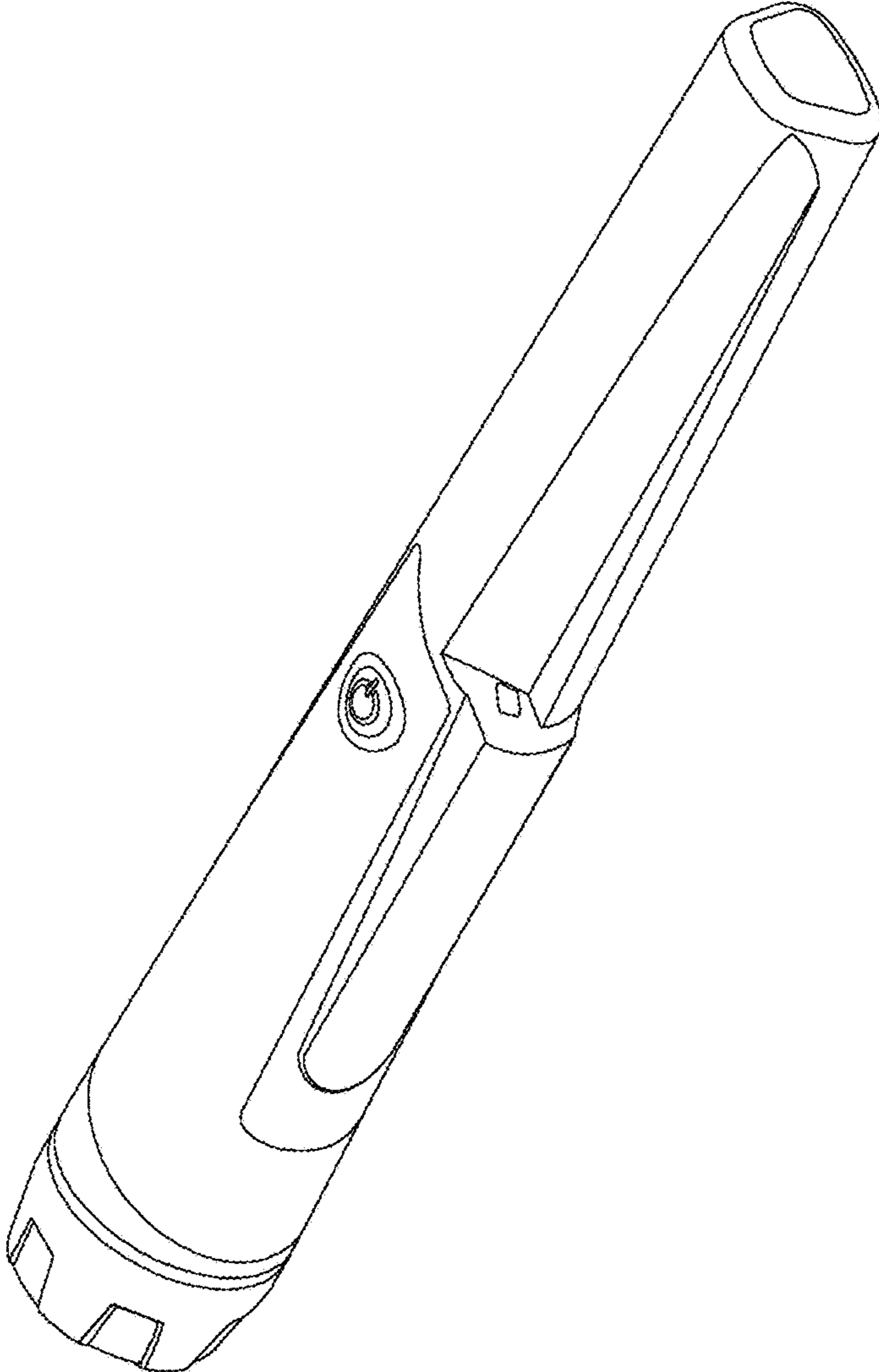


Fig. 4

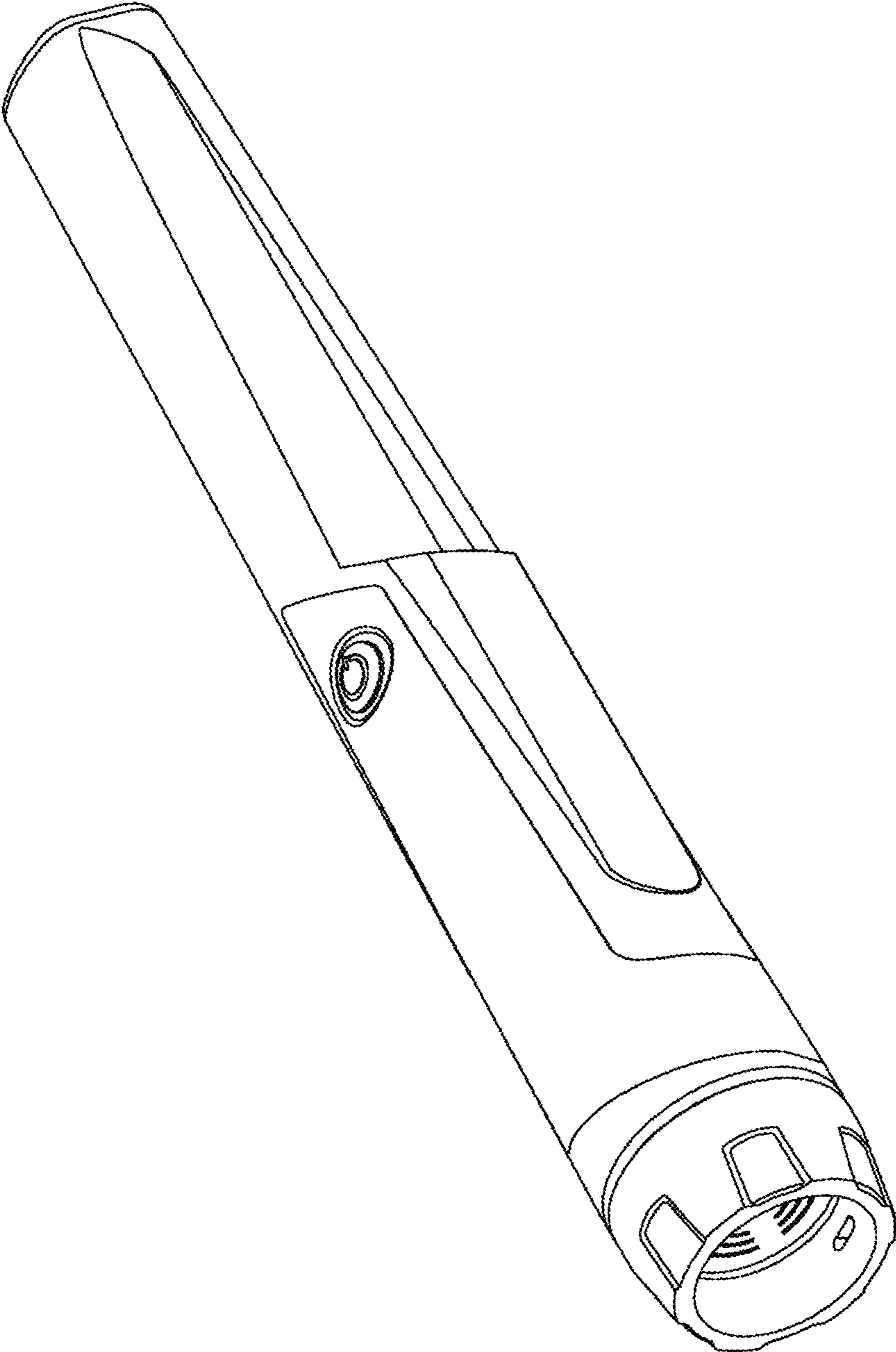


Fig. 5

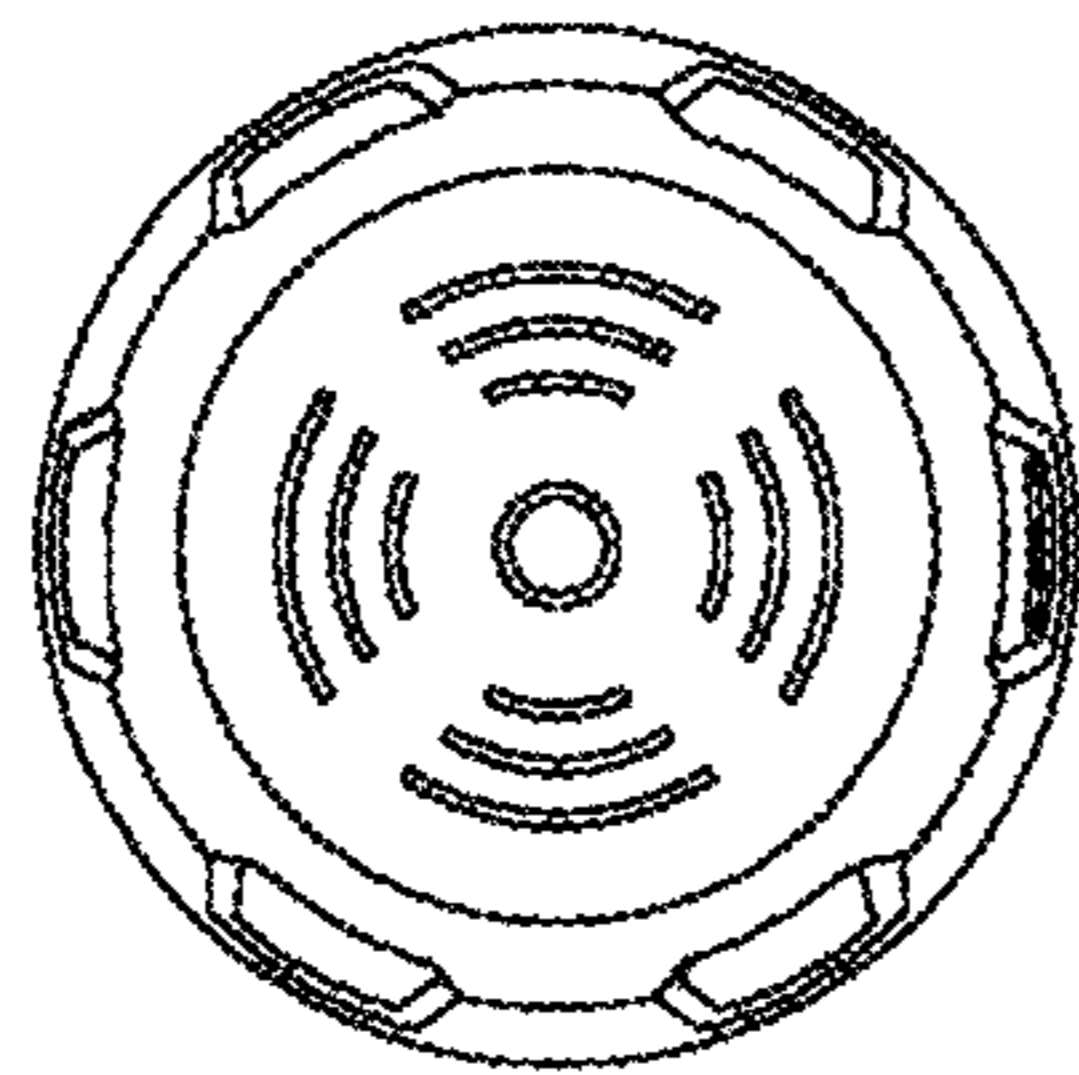


Fig. 6

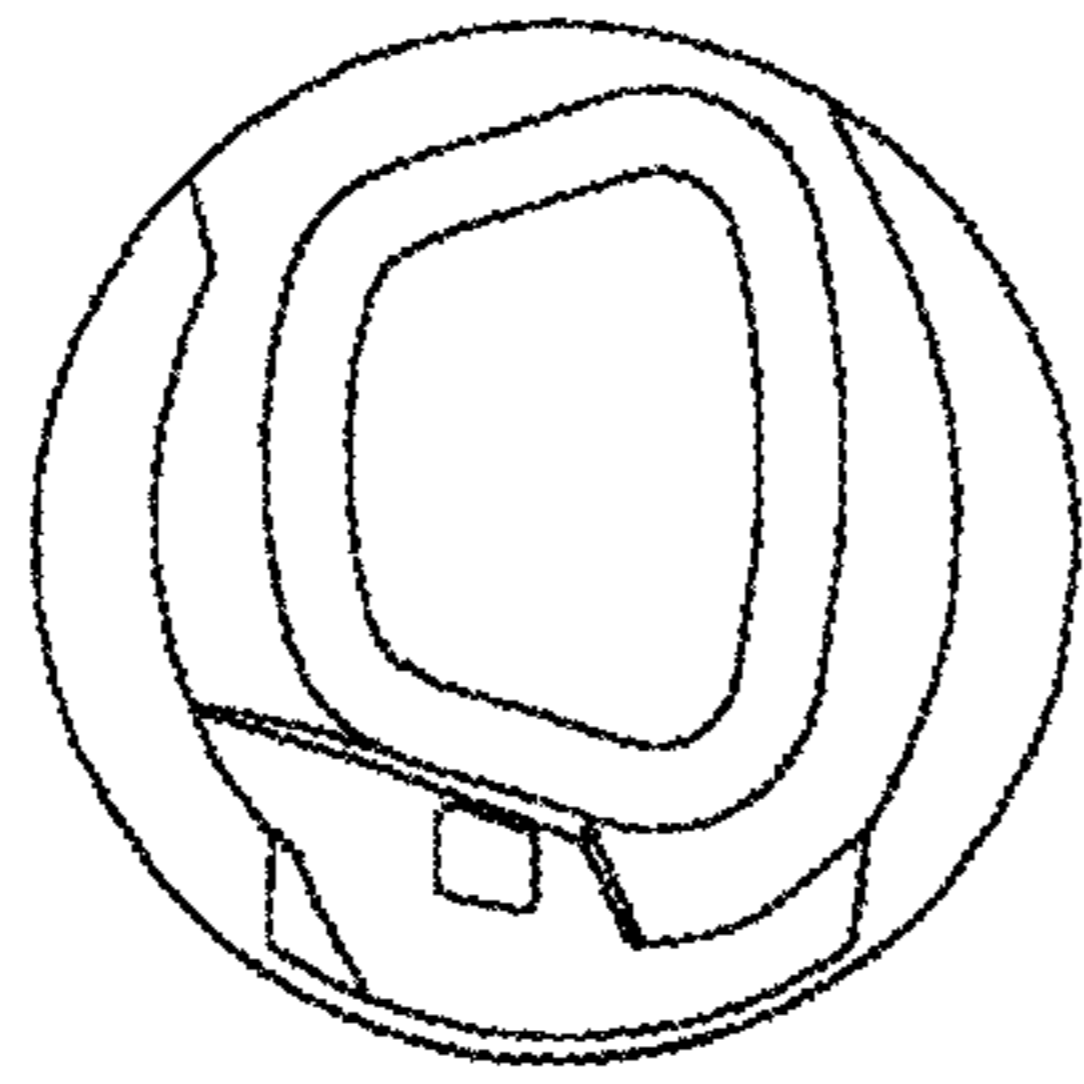


Fig. 7

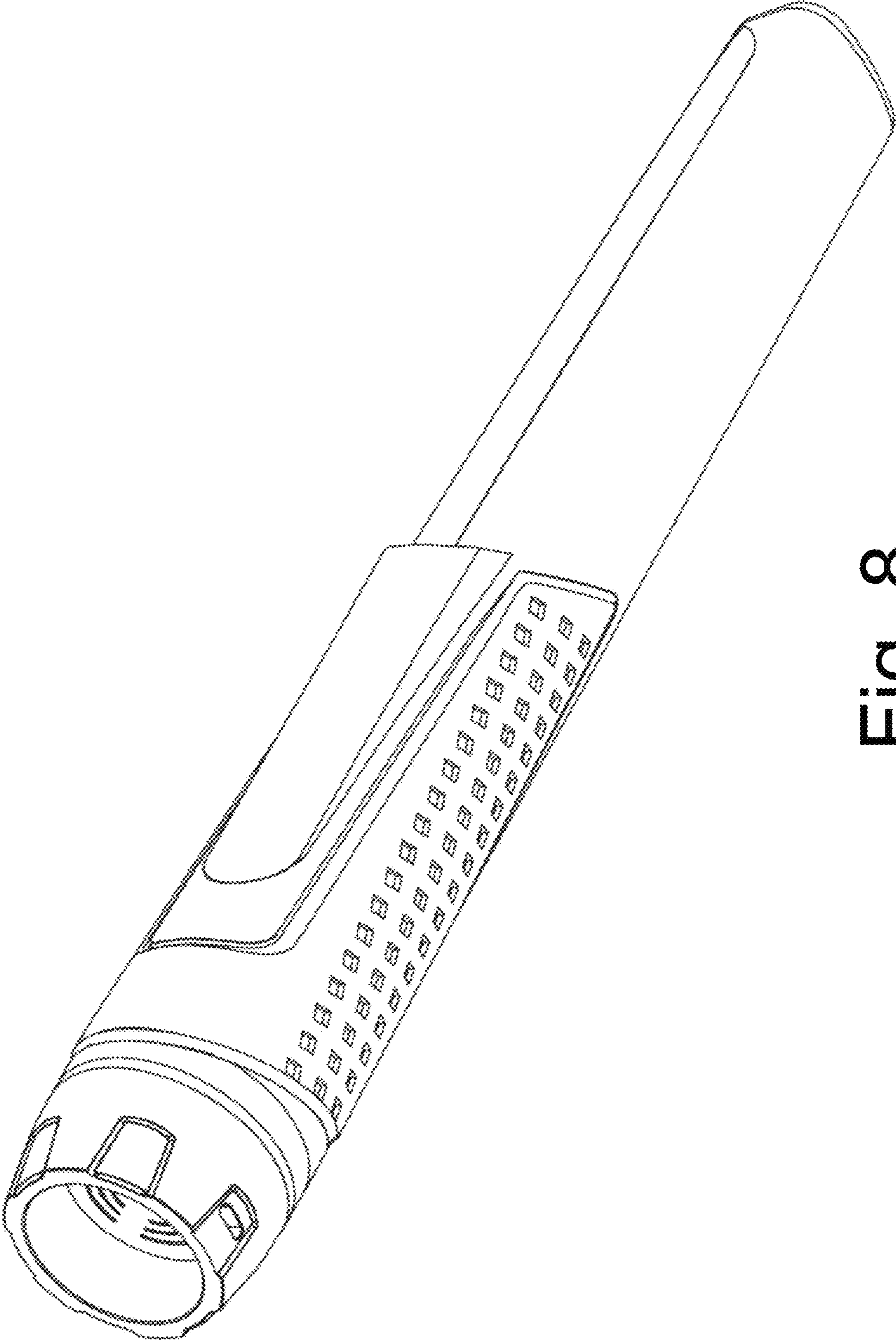


Fig. 8

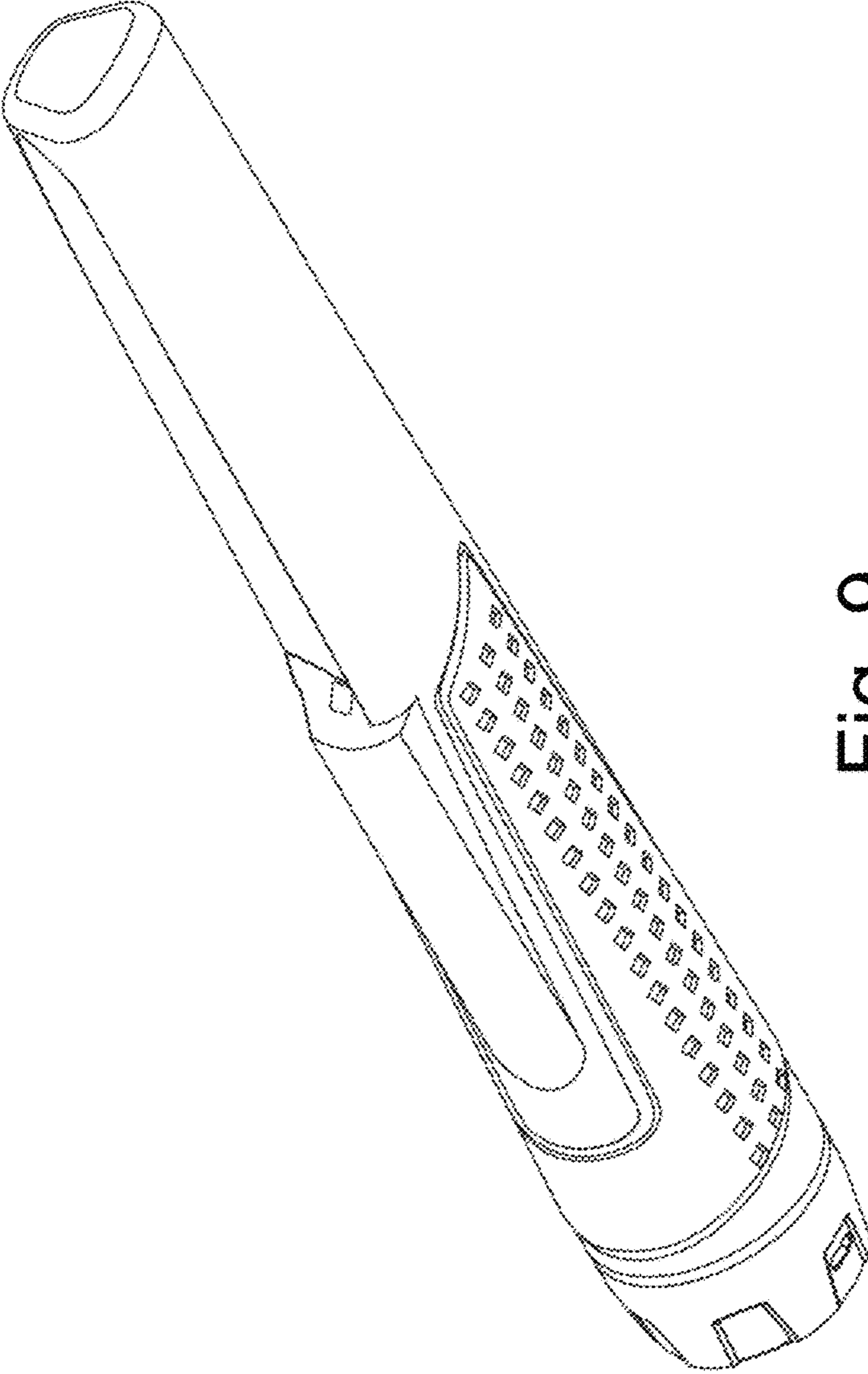


Fig. 9