

US00D796968S

(12) **United States Design Patent** (10) **Patent No.:** **US D796,968 S**  
**Akana et al.** (45) **Date of Patent:** **\*\* Sep. 12, 2017**

(54) **COMBINED EARPHONES AND PACKAGING**

(71) Applicant: **Apple Inc.**, Cupertino, CA (US)

(72) Inventors: **Jody Akana**, San Francisco, CA (US); **Bartley K. Andre**, Palo Alto, CA (US); **Shota Aoyagi**, San Francisco, CA (US); **Jeremy Bataillou**, San Francisco, CA (US); **Daniel J. Coster**, San Francisco, CA (US); **Daniele De Iuliis**, San Francisco, CA (US); **M. Evans Hankey**, San Francisco, CA (US); **Julian Hoenig**, San Francisco, CA (US); **Richard P. Howarth**, San Francisco, CA (US); **Jonathan P. Ive**, San Francisco, CA (US); **Duncan Robert Kerr**, San Francisco, CA (US); **Shin Nishibori**, Kailua, HI (US); **Matthew Dean Rohrbach**, San Francisco, CA (US); **Peter Russell-Clarke**, San Francisco, CA (US); **Mikael Silvanto**, San Francisco, CA (US); **Christopher J. Stringer**, Woodside, CA (US); **Eugene Antony Whang**, San Francisco, CA (US); **Rico Zörkendörfer**, San Francisco, CA (US)

(73) Assignee: **Apple Inc.**, Cupertino, CA (US)

(\*\*) Term: **15 Years**

(21) Appl. No.: **29/542,017**

(22) Filed: **Oct. 9, 2015**

**Related U.S. Application Data**

(63) Continuation of application No. 29/489,106, filed on Apr. 25, 2014, now Pat. No. Des. 740,653, which is (Continued)

(51) **LOC (10) Cl.** ..... **09-03**

(52) **U.S. Cl.**  
USPC ..... **D9/721; D9/456; D14/223**

(58) **Field of Classification Search**

USPC ..... D9/414-434, 456-457, 715-722, 737; D7/601, 602, 538, 540, 550.1; D3/202, D3/203.5, 203.6, 205; D14/223  
(Continued)

(56) **References Cited**

**U.S. PATENT DOCUMENTS**

D256,994 S \* 9/1980 MacGregor ..... D3/205  
4,542,822 A 9/1985 Kennedy, Jr. et al.  
(Continued)

**OTHER PUBLICATIONS**

Jacostore.co.uk, "Black Ladybird Beetle Earphones," (<http://www.jacostore.co.uk/black-ladybird-beetle-earphones-45-p.asp>), accessed Oct. 19, 2012, 1 page.

(Continued)

*Primary Examiner* — Vy Koenig

(74) *Attorney, Agent, or Firm* — Sterne, Kessler, Goldstein & Fox P.L.L.C.

(57) **CLAIM**

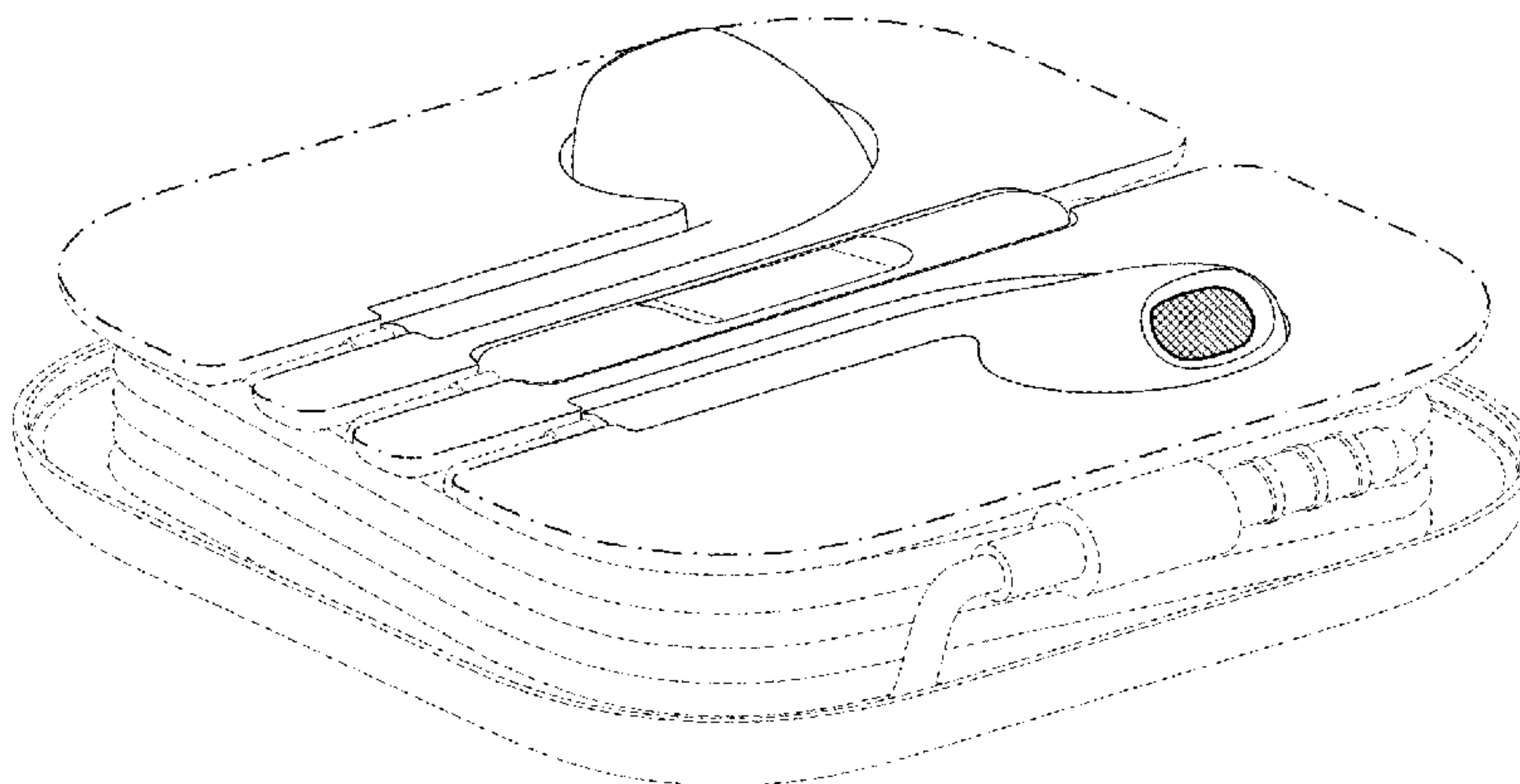
The ornamental design for combined earphones and packaging, as shown and described.

**DESCRIPTION**

FIG. 1 is a top perspective view of combined earphones and packaging showing our new design; FIG. 2 is a top view thereof; FIG. 3 is a bottom view thereof; FIG. 4 is a rear view thereof; FIG. 5 is a front view thereof; FIG. 6 is left view thereof; and, FIG. 7 is a right view thereof.

The dashed broken lines in the Figures show portions of the earphones and packaging which form no part of the claimed design.

(Continued)



The dot-dash broken lines in the Figures show boundaries that form no part of the claimed design.

**1 Claim, 5 Drawing Sheets**

**Related U.S. Application Data**

a continuation of application No. 29/431,868, filed on Sep. 11, 2012, now Pat. No. Des. 706,643.

(58) **Field of Classification Search**

CPC ..... B65D 5/00; B65D 5/001; B65D 5/0015; B65D 5/0227-5/0254; B65D 5/0045; B65D 5/18; B65D 5/2033; B65D 5/38; B65D 5/40; B65D 1/22; B65D 1/225; B65D 1/24; B65D 1/34; B65D 1/38

See application file for complete search history.

(56) **References Cited**

U.S. PATENT DOCUMENTS

D397,865 S	9/1998	Lin	
5,984,224 A	11/1999	Yang	
D479,016 S	8/2003	Sgariboldi	
D493,335 S	7/2004	Armato	
D506,744 S	6/2005	Andre et al.	
D531,025 S	10/2006	Tanner	
D556,571 S	12/2007	Jalet	
D558,571 S	1/2008	Andre et al.	
D573,977 S *	7/2008	Ledbetter	D14/205
D577,250 S	9/2008	Zanaletti	
D580,752 S	11/2008	Andre et al.	
D584,142 S	1/2009	Andre et al.	
D593,537 S *	6/2009	Arimoto	D14/205
D601,884 S	10/2009	Andre et al.	
D604,501 S	11/2009	Lee	
D604,605 S	11/2009	Chung et al.	
D616,741 S	6/2010	Andre et al.	

D618,999 S	7/2010	Akana et al.	
D620,781 S	8/2010	Weckwerth	
D620,984 S	8/2010	Rose et al.	
D621,256 S	8/2010	Andre et al.	
D624,316 S	9/2010	Ferber et al.	
D637,076 S	5/2011	Akana et al.	
D649,449 S	11/2011	Akana et al.	
D658,492 S	5/2012	Akana et al.	
D659,530 S	5/2012	Akana et al.	
D668,143 S	10/2012	Akana et al.	
D672,660 S	12/2012	Vural	
D676,321 S	2/2013	Jones et al.	
D681,015 S	4/2013	Akana et al.	
D685,771 S	7/2013	Bertenthal	
D686,065 S	7/2013	Kuo et al.	
D691,594 S	10/2013	Akana et al.	
D694,249 S	11/2013	Akana et al.	
D697,718 S *	1/2014	Chun	D3/319
D704,072 S	5/2014	Akana et al.	
D704,073 S	5/2014	Akana et al.	
D706,643 S *	6/2014	Akana	D9/432
D709,384 S	7/2014	Vural	
D712,279 S	9/2014	Akana et al.	
D712,748 S	9/2014	Akana et al.	
D713,738 S	9/2014	Akana et al.	
D713,739 S	9/2014	Akana et al.	
D718,386 S	11/2014	Packard et al.	
D720,718 S *	1/2015	Stevinson	D14/205
D722,264 S	2/2015	Saideh	
D722,497 S	2/2015	Saideh	
D723,218 S	2/2015	Goswell	
D730,581 S	5/2015	Hwang	
D739,657 S *	9/2015	Hsieh	D3/319
D740,653 S *	10/2015	Akana	D9/418
D744,855 S *	12/2015	Akana	D9/432
D746,698 S *	1/2016	Akana	D9/715
D782,327 S *	3/2017	Akana	D9/456

OTHER PUBLICATIONS

U.S. Appl. No. 29/432,035, filed Sep. 12, 2012.

\* cited by examiner

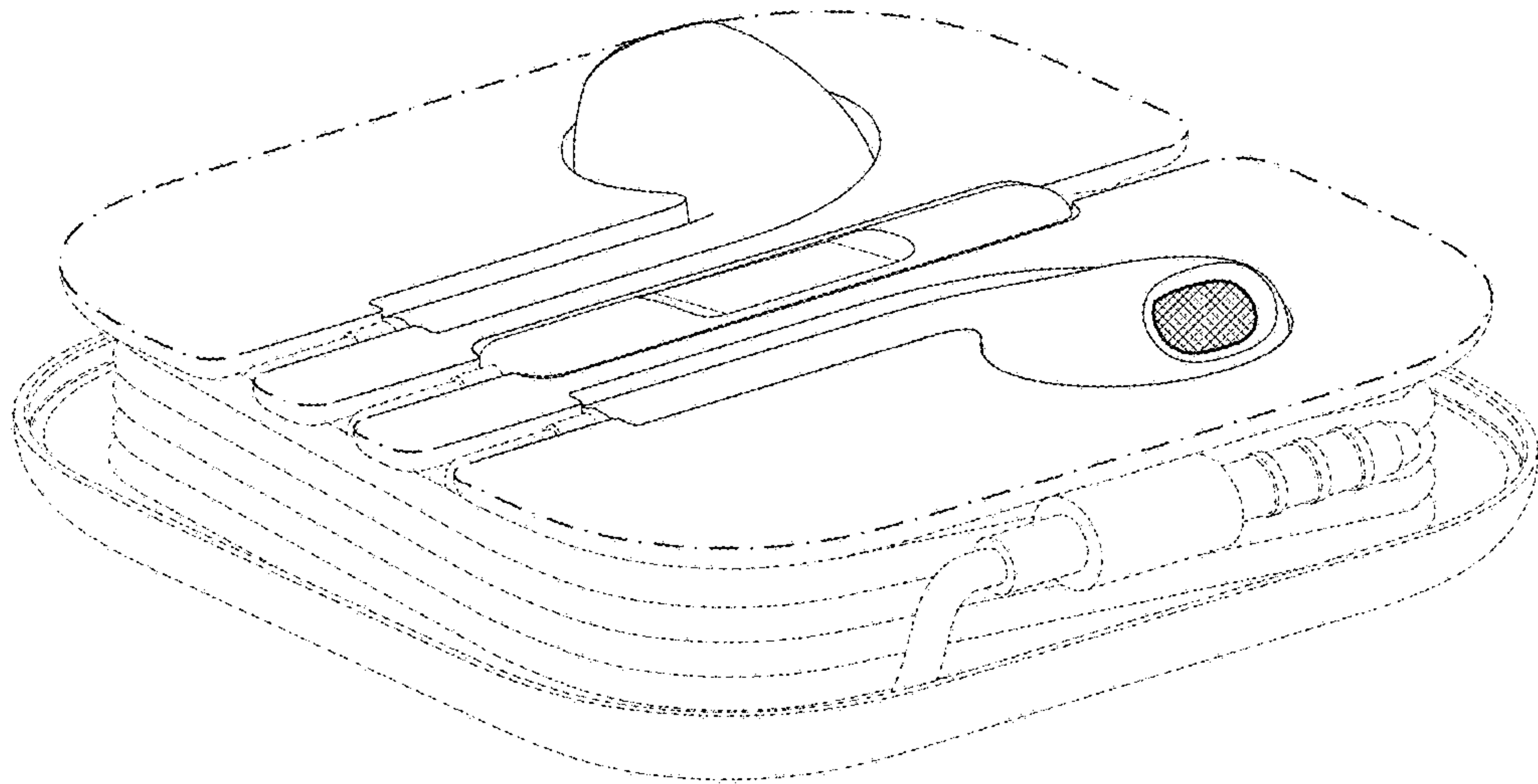


FIG. 1

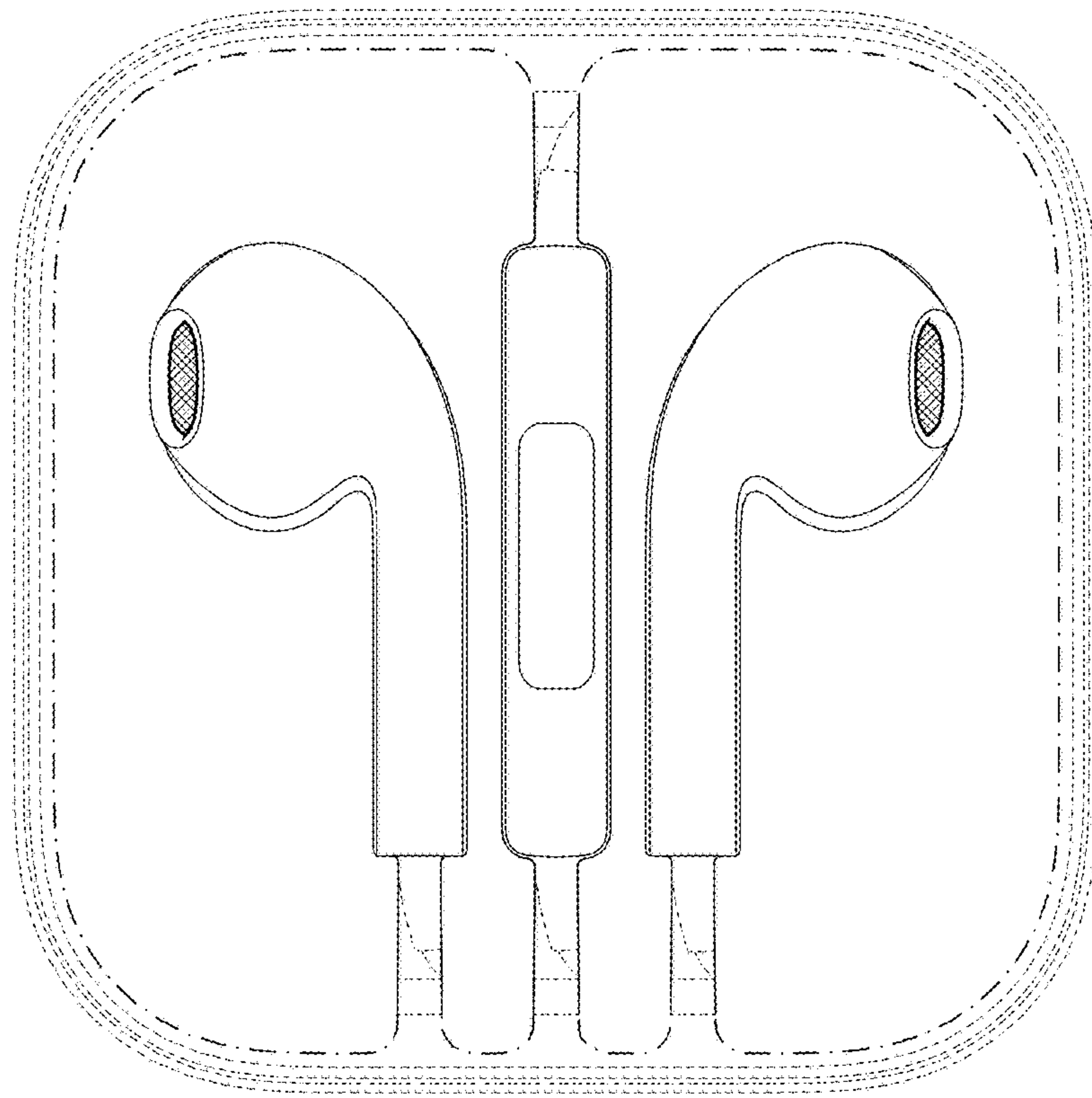
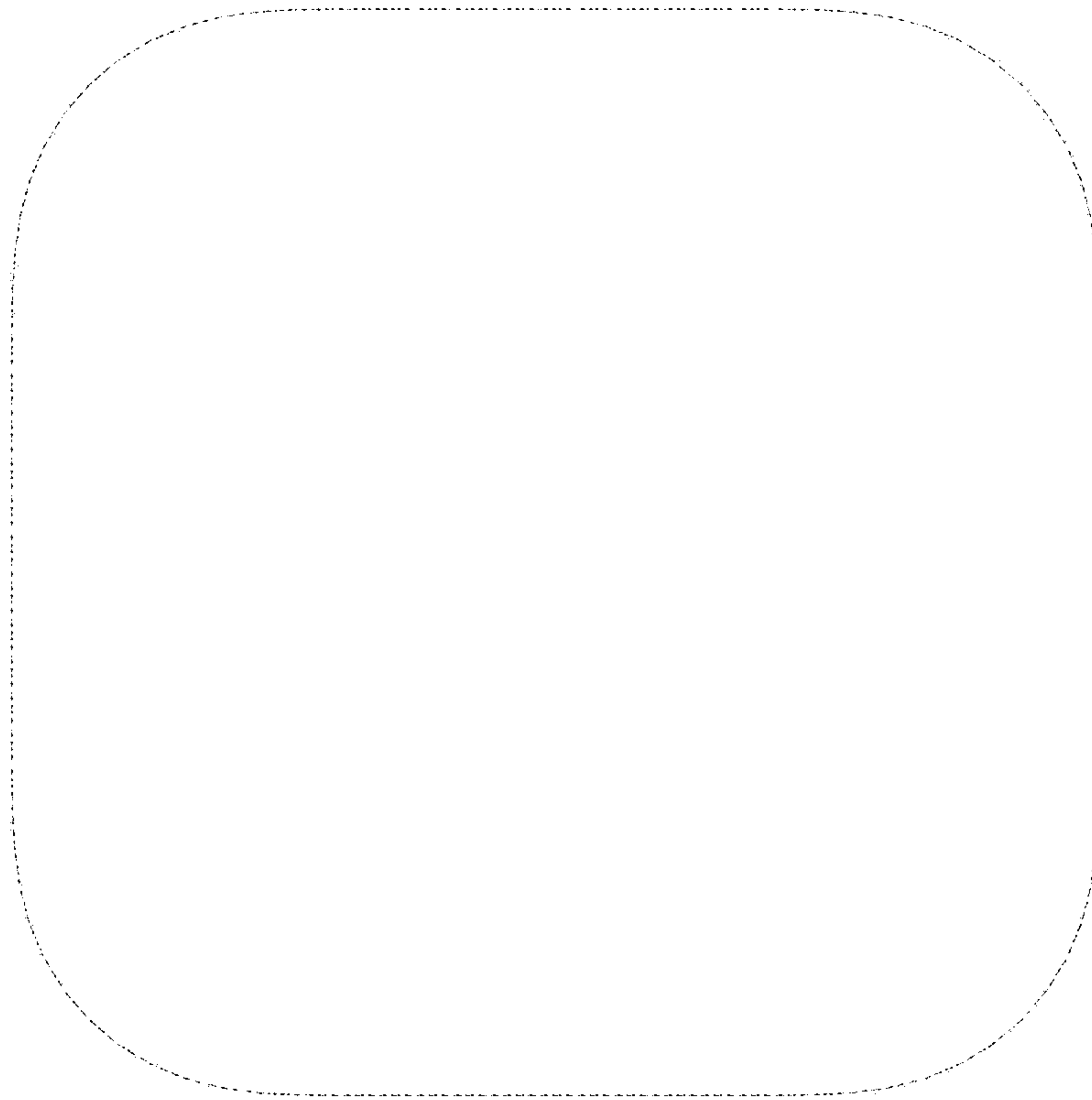
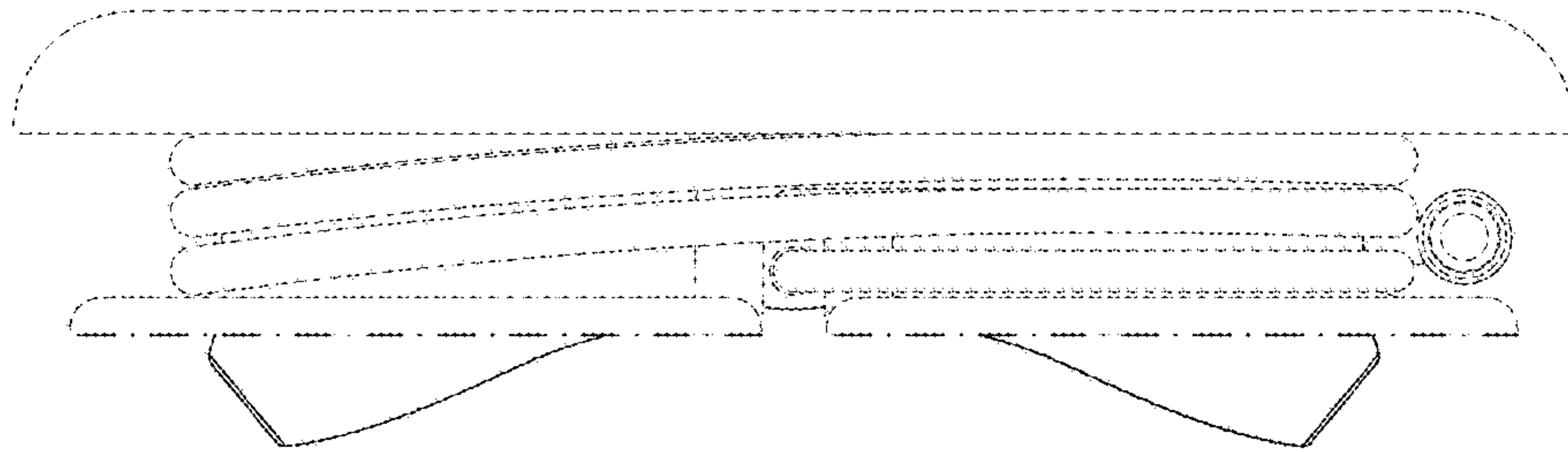


FIG. 2

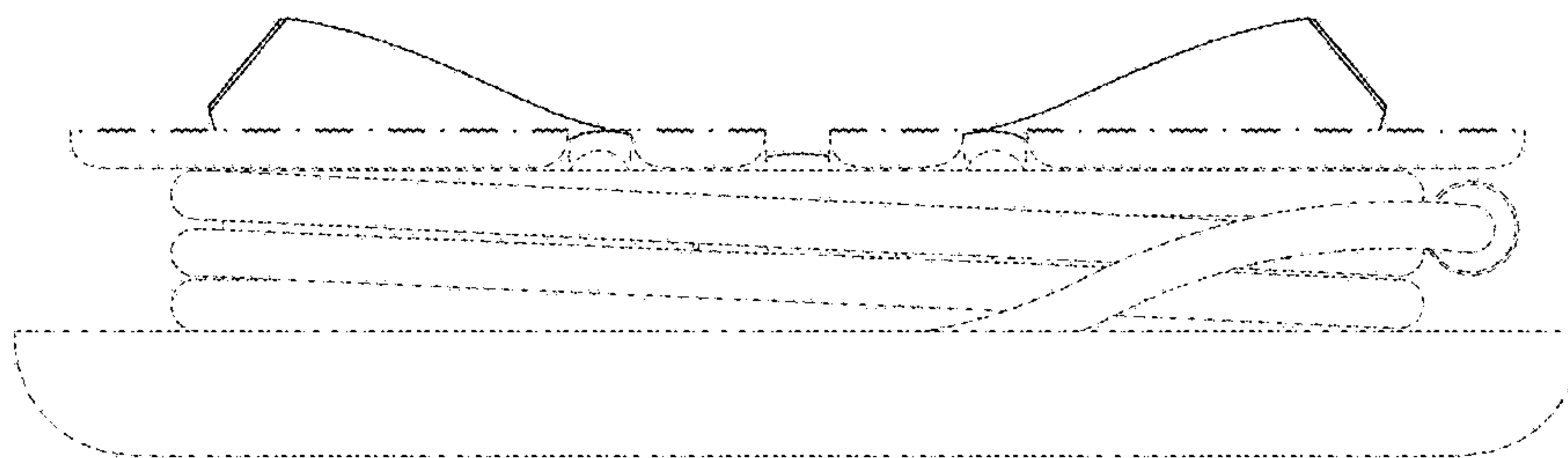




**FIG. 3**



**FIG. 4**



**FIG. 5**

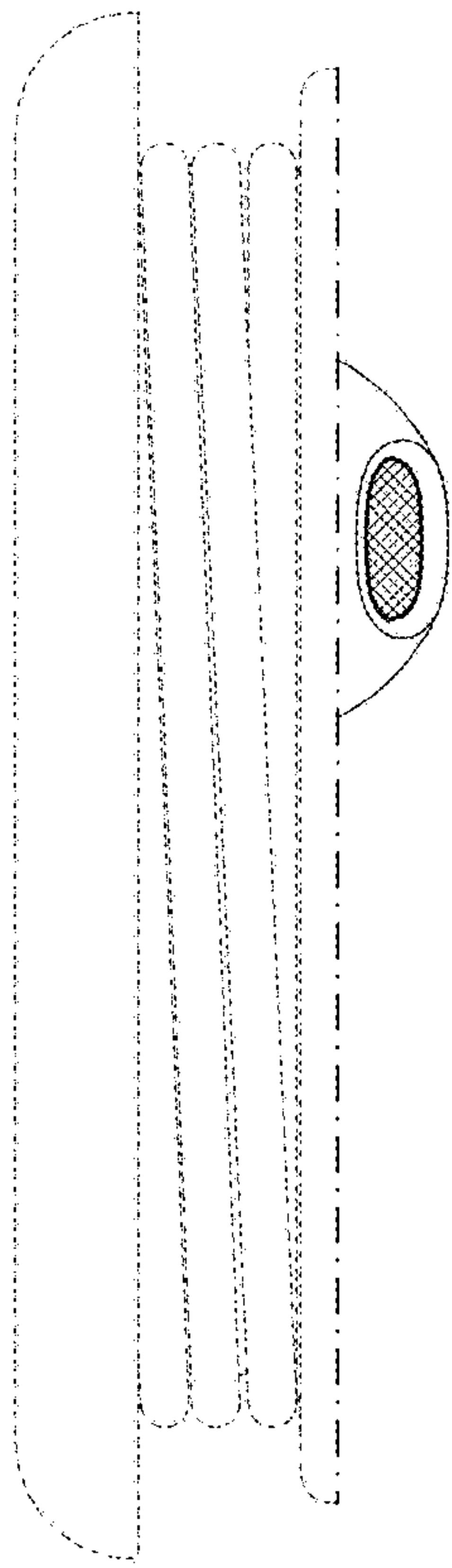


FIG. 6

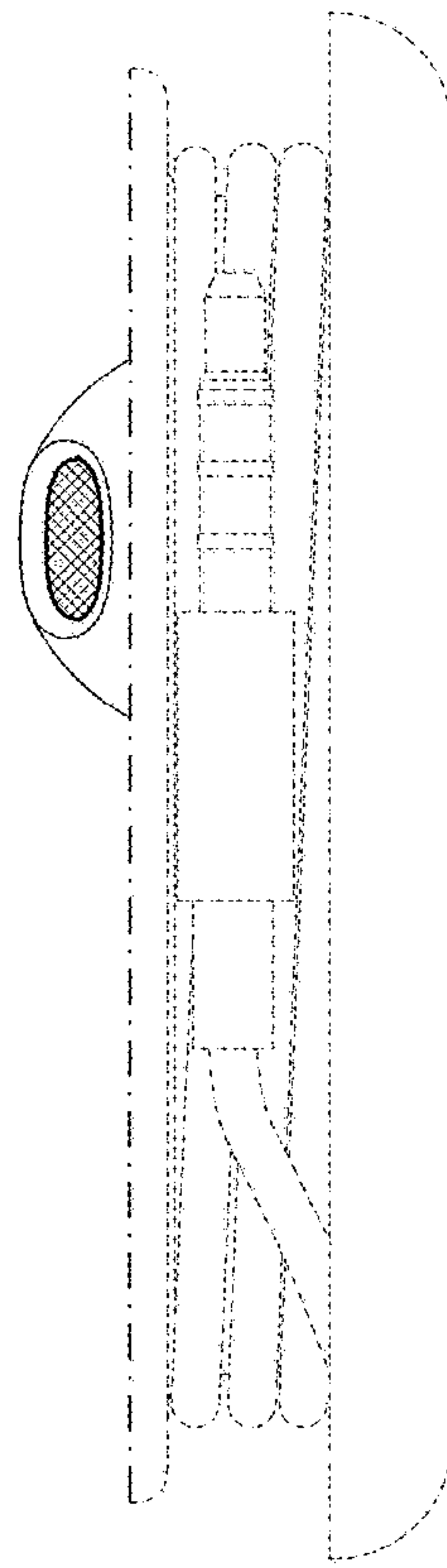


FIG. 7